



Illustrated Parts Manual

Model

450AJ

SN 0300199221 to Present
&
SN E300000001 to Present

P/N
3121660

February 5, 2016

ANSI

CE



An Oshkosh Corporation Company

REVISION LOG

NOTE: The 450AJ may be manufactured by JLG Industries in the following countries: USA & Romania. The country of manufacture may be determined by the serial number located on the serial number nameplate. Machines manufactured in the USA will have a prefix number of 03 (i. e. 03xxxxxxx). Machines manufactured in Romania will have a prefix number of E3 (i. e. E3xxxxxxx).

REVISION LOG:

February 1, 2015 - Original Issue Of Manual (Edited to B/M 1001166193 Revision D)

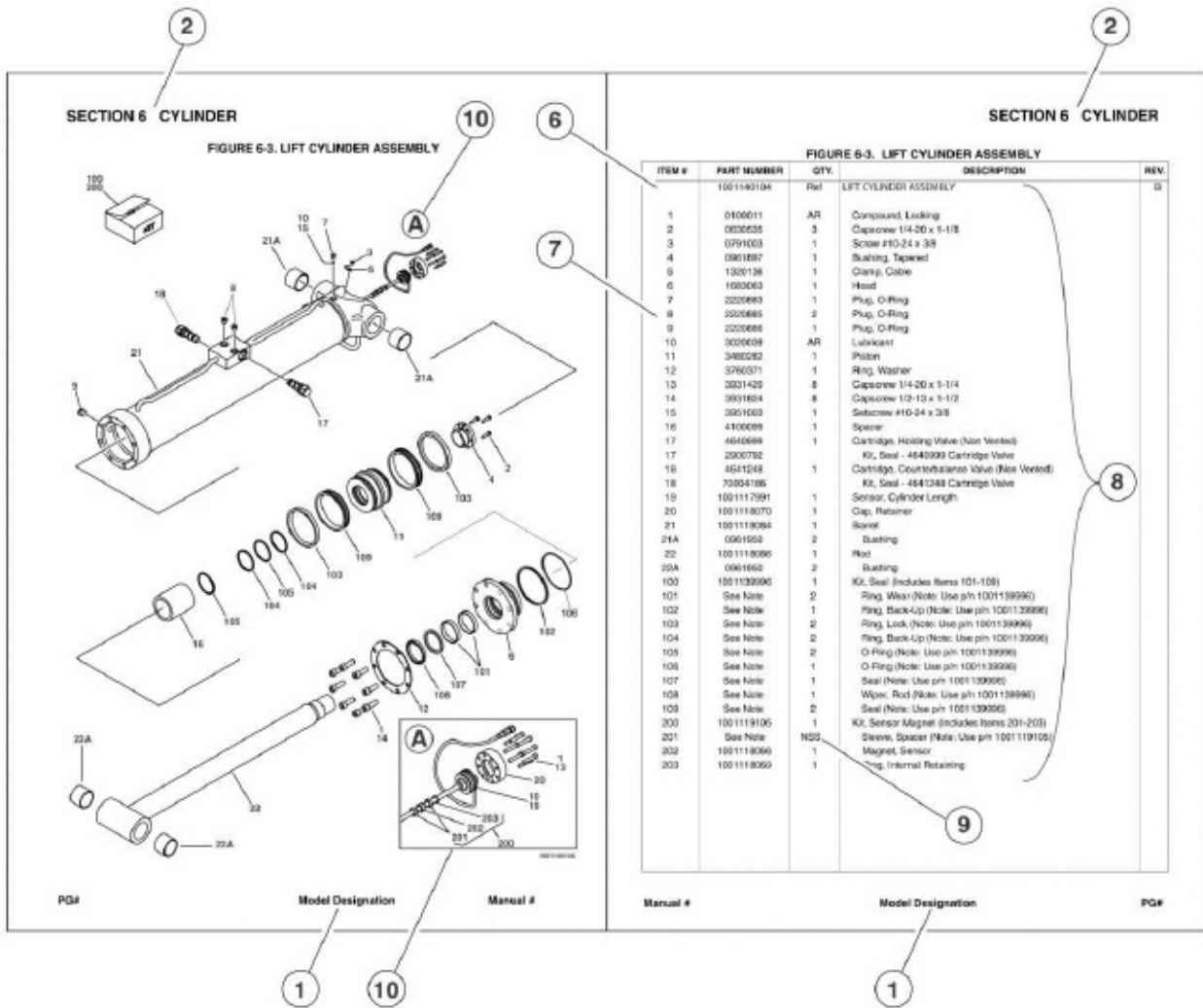
May 1, 2015 - Revised Manual (Edited to B/M 1001166193 Revision H)

August 1, 2015 - Revised Manual (Edited to B/M 1001166193 Revision K) (Revision 4)

November 30, 2015 - Revised Manual (Edited to B/M 1001166193 Revision M) (Revision 2)

February 5, 2016 - Revised Manual (Edited to B/M 1001166193 Revision N) (Revision 2)

GENERAL INFORMATION



1) MACHINE IDENTIFICATION

Machines are identified by model and in some cases a combination of models, serial number (SN) or regional standard (i.e. ANSI, CE, CSA). Components may also be identified by SN or manufacturer. Common components that may be identified by these characteristics are engines and hydraulic components.

2) PARTS MANUAL ORGANIZATION

Product information in this manual is organized under section titles. Frame, Cylinder, Hydraulic and Electrical are a few examples. Each section is organized by figure and page number. The information within the figure is then organized by item number, part number, description and corresponding illustration(s).

3) TABLE OF CONTENTS

A table of contents is found toward the beginning of the manual. Figure number, description and page number are provided for quick reference to the page containing the related information.

4) RECOMMENDED SPARE PARTS

The Recommended Spare Parts, located near the end of the manual, reference most frequently used maintenance parts.

5) PART NUMBER INDEX

A numerical index listing all part numbers and the corresponding page number(s) appears at the back of the manual.

GENERAL INFORMATION

6) NON-SERVICED PARTS

In some instances, it is necessary to display non-serviced parts, assemblies or installations. In the case of assemblies and installations there will be a Ref in the Qty column. In case of parts that are not available for service within assemblies or components, there will be a NSS (Not Sold Separately) or NLA (No Longer Available) listed in the Qty. column of the manual.

7) PARTS LIST ITEM NUMBERS

Numbers shown in the item# column correspond to numbers used in the associated illustration (s). Item numbers which are missing from the sequence in the parts list are not used on that page

8) INDENTED PARTS DESCRIPTION

An indented part description is included in the item under which it is indented.

9) ABBREVIATION AND SYMBOLS

AC..... Alternating Current
 ADE..... Advanced Design Electronics
 ANSI..... American National Standards Institute
 AR..... As Required
 ASSY..... Assembly
 AUX..... Auxiliary
 AWG..... American Wire Gauge
 B/M..... Bill of Material
 CE..... European Conformity
 CCW..... Counter Clockwise
 cm..... Centimeter
 CW..... Clockwise
 CSA..... Canadian Standards Association
 CYL..... Cylinder
 DIA..... Diameter
 DC..... Direct Current
 EMS..... Emergency Stop
 ENG..... Engine
 FT(ft)..... Feet
 GA(Ga)..... Gauge
 HYD..... Hydraulic
 HZ..... Hertz
 ID..... Inside Diameter
 in..... inches
 ISO..... International Organization for Standards
 JIC..... Joint Industry Council
 KG..... Kilogram
 L..... Liter
 LB..... Pounds

LCD..... Liquid Crystal Display
 LED..... Light Emitting Diodes
 LH..... Left Hand
 LSS..... Load Sensing System
 M(m)..... Metric/Meter
 MM (mm)..... Millimeter
 mA..... Milliamps
 NLA..... No Longer Available
 NPT..... National Pipe Threads
 NSS..... Not Sold Separately
 OD..... Outside Diameter
 ORB..... O-Ring Boss
 ORFS..... O-Ring Face Seal
 OZ (oz)..... Ounces
 PG..... Page
 P/N..... Part Number
 qt..... Quarts
 QTY..... Quantity
 REF..... Reference
 REV..... Revision Level
 RH..... Right Hand
 SAE..... Society of Automotive Engineers
 SN..... Serial Number
 SPEC(S)..... Specifications
 T/T..... Turntable
 UGM..... Universal Ground Module
 V..... Volts
 W..... Watts
 #..... Number

10) ILLUSTRATION REFERENCE LETTERS

When necessary, illustrations may contain reference letters that are intended to track information (i.e. hoses, harnesses) from one point to another or to track visual enlargement of components to show details that may be located in another area on the illustration.

Note: Due to continuous product improvements, JLG Industries, Inc. reserves the right to make specification changes without prior notification. Contact JLG Industries, Inc. for updated information.

TABLE OF CONTENTS

SECTION 1 - FRAME.....	1
FIGURE 1-1. AXLE INSTALLATION	1
FIGURE 1-2. STEER INSTALLATION WITHOUT TOW PACKAGE	1
FIGURE 1-3. STEER INSTALLATION WITH TOW PACKAGE.....	1
FIGURE 1-4. WHEEL DRIVE INSTALLATION (4WD).....	1
FIGURE 1-5. DRIVE HUB AND BRAKE ASSEMBLY - REAR	2
FIGURE 1-6. DRIVE HUB ASSEMBLY - FRONT	2
FIGURE 1-7. DRIVE MOTOR ASSEMBLY(4WD).....	2
FIGURE 1-8. FRAME SHIELD INSTALLATION	2
FIGURE 1-9. TIRE AND WHEEL INSTALLATION - 12 X 16.5 FOAM FILLED (AVAILABLE ON ANSI, ANSI EXPORT AND CSA SPECS).....	3
FIGURE 1-10. TIRE AND WHEEL INSTALLATION - 12 X 16.5 FOAM FILLED NON MARKING (AVAILABLE ON ANSI, ANSI EXPORT AND CSA SPECS).....	3
FIGURE 1-11. TIRE AND WHEEL INSTALLATION - 33 X 12-20 SOLID NON-MARKING (AVAILABLE ON AUSTRALIAN AND CE SPECS).....	3
FIGURE 1-12. TIRE AND WHEEL INSTALLATION - 33 X 16LL500 PNEUMATIC TURF AND SAND (AVAILABLE ON ANSI AND ANSI EXPORT SPECS).....	3
FIGURE 1-13. TIRE AND WHEEL INSTALLATION - 33/1550 X 16.5 PNEUMATIC (AVAILABLE ON ANSI, ANSI EXPORT AND CSA SPECS).....	3
FIGURE 1-14. TIRE AND WHEEL INSTALLATION - 33/1550 X 16.5 PNEUMATIC WITH TIRE SEALANT (AVAILABLE ON ANSI, ANSI EXPORT AND CSA SPECS)	4
FIGURE 1-15. TIRE AND WHEEL INSTALLATION - 33/1550 X 16.5 FOAM-FILLED (AVAILABLE ON ALL SPECS).....	4
FIGURE 1-16. TIRE AND WHEEL INSTALLATION - 315/55 D20 FOAM FILLED (AVAILABLE ON AUSTRALIAN AND CE SPECS)	4
FIGURE 1-17. TIRE AND WHEEL INSTALLATION - 315/55 D20 FOAM FILLED NON-MARKING (AVAILABLE ON AUSTRALIAN AND CE SPECS).....	4
FIGURE 1-18. VALVES INSTALLATION - FRAME MOUNTED	4
FIGURE 1-19. TRACTION VALVE ASSEMBLY	5
FIGURE 1-20. TOW PACKAGE INSTALLATION (OPTIONAL)	5
FIGURE 1-21. TOW BAR ASSEMBLY	5
SECTION 2 - TURNTABLE.....	5
FIGURE 2-1. VALVES INSTALLATION - TURNTABLE MOUNTED	5
FIGURE 2-2. MAIN VALVE ASSEMBLY	6
FIGURE 2-3. AUXILIARY PUMP ASSEMBLY	6
FIGURE 2-4. SWING DRIVE AND TURNTABLE BEARING INSTALLATION	6
FIGURE 2-5. SWING MOTOR ASSEMBLY	6
FIGURE 2-6. TURNTABLE BEARING ASSEMBLY	6
FIGURE 2-7. TURNTABLE LOCK INSTALLATION.....	7
FIGURE 2-8. TANKS INSTALLATION- DIESEL MACHINES.....	7
FIGURE 2-9. TANKS INSTALLATION- GAS MACHINES	7
FIGURE 2-10. DRIVE ORIENTATION INSTALLATION.....	7
FIGURE 2-11. GROUND CONTROL ASSEMBLY - ALL SPECS EXCEPT CE SPEC.....	7
FIGURE 2-12. GROUND CONTROL ASSEMBLY - CE SPEC ONLY	8
FIGURE 2-13. ELECTRICAL SYSTEM INSTALLATION	8
FIGURE 2-14. BEACON LIGHT INSTALLATION - AMBER	8
FIGURE 2-15. BEACON LIGHT INSTALLATION - BLUE (SN 0300199221 through 0300202578)	8
FIGURE 2-16. BEACON LIGHT INSTALLATION - BLUE (SN 0300202579 to Present, SN E300000001 to Present)	9
FIGURE 2-17. BEACON LIGHT INSTALLATION - RED (SN 0300214493 through E300003100).....	9
FIGURE 2-18. BATTERY AND CABLE INSTALLATION - USA BUILT MACHINES	9
FIGURE 2-19. BATTERY AND CABLE INSTALLATION - ROMANIAN BUILT MACHINES	9
FIGURE 2-20. HOODS INSTALLATION	10
FIGURE 2-21. HOOD ASSEMBLY - TANK SIDE	10
FIGURE 2-22. HOOD ASSEMBLY - ENGINE SIDE	10
FIGURE 2-23. COVERS INSTALLATION - COUNTERWEIGHT (USED ON MACHINES WITH FOAM-FILLED TIRES FOR ANSI, ANSI EXPORT, CSA AND JAPANESE SPECS).....	10
FIGURE 2-24. COVERS INSTALLATION - COUNTERWEIGHT (USED ON MACHINES WITH PNEUMATIC TIRES LESS FOR ANSI EXPORT, AUSTRALIAN, CE AND JAPANESE SPECS).....	10
FIGURE 2-25. COVERS INSTALLATION - COUNTERWEIGHT (USED ON MACHINES WITH TURF AND SAND TIRES FOR ANSI AND ANSI EXPORT SPECS)	11
SECTION 3 - ENGINE	11
FIGURE 3-1. ENGINE INSTALLATION - DEUTZ D2.9L4 ENGINE (WITHOUT ARCTIC PACKAGE) (ANSI AND CSA SPECS)	11

TABLE OF CONTENTS

FIGURE 3-2. ENGINE AND PUMP SUB-ASSEMBLY - DEUTZ D2.9L4 (WITHOUT ARCTIC PACKAGE) (ANSI AND CSA SPECS)..... 120

FIGURE 3-3. ENGINE ASSEMBLY - DEUTZ D2.9L4 ENGINE (WITHOUT ARCTIC PACKAGE) (ANSI AND CSA SPECS)..... 122

FIGURE 3-4. ENGINE INSTALLATION - DEUTZ D2.9L4 ENGINE (WITH ARCTIC PACKAGE) (ANSI AND CSA SPECS) 128

FIGURE 3-5. ENGINE AND PUMP SUB-ASSEMBLY - DEUTZ D2.9L4 (WITH ARCTIC PACKAGE) (ANSI AND CSA SPECS) 134

FIGURE 3-6. ENGINE ASSEMBLY - DEUTZ D2.9L4 ENGINE (WITH ARCTIC PACKAGE) (ANSI AND CSA SPECS)..... 136

FIGURE 3-7. BRACKET ASSEMBLY - FUEL PUMP AND FILTER (DEUTZ D2.9L4 ENGINE) 142

FIGURE 3-8. ENGINE COMPONENTS - DEUTZ D2.9L4 ENGINE 144

FIGURE 3-9. ENGINE INSTALLATION - DEUTZ D2.3L3 ENGINE (WITHOUT ARCTIC PACKAGE) (ANSI EXPORT, AUSTRALIAN AND CE SPECS)..... 148

FIGURE 3-10. ENGINE AND PUMP SUB-ASSEMBLY - DEUTZ D2.3L3 (WITHOUT ARCTIC PACKAGE) (ANSI EXPORT, AUSTRALIAN AND CE SPECS)..... 152

FIGURE 3-11. ENGINE ASSEMBLY - DEUTZ D2.3L3 ENGINE (WITHOUT ARCTIC PACKAGE) (ANSI EXPORT, AUSTRALIAN AND CE SPECS) 154

FIGURE 3-12. ENGINE INSTALLATION - DEUTZ D2.3L3 ENGINE (WITH ARCTIC PACKAGE) (ANSI EXPORT SPEC)..... 158

FIGURE 3-13. ENGINE AND PUMP SUB-ASSEMBLY - DEUTZ D2.3L3 (WITH ARCTIC PACKAGE) (ANSI EXPORT SPEC) 164

FIGURE 3-14. ENGINE ASSEMBLY - DEUTZ D2.3L3 ENGINE (WITH ARCTIC PACKAGE) (ANSI EXPORT SPEC) 166

FIGURE 3-15. ENGINE COMPONENTS - DEUTZ D2.3L3..... 170

FIGURE 3-16. ENGINE INSTALLATION - GM ENGINE (WITHOUT ARCTIC PACKAGE) 174

FIGURE 3-17. ENGINE AND PUMP SUB-ASSEMBLY - GM ENGINE (WITHOUT ARCTIC PACKAGE)..... 180

FIGURE 3-18. ENGINE ASSEMBLY - GM ENGINE (WITHOUT ARCTIC PACKAGE) 182

FIGURE 3-19. ENGINE INSTALLATION - GM ENGINE (WITH ARCTIC PACKAGE) 186

FIGURE 3-20. ENGINE AND PUMP SUB-ASSEMBLY - GM ENGINE (WITH ARCTIC PACKAGE) 192

FIGURE 3-21. ENGINE ASSEMBLY - GM ENGINE (WITH ARCTIC PACKAGE)..... 194

FIGURE 3-22. PUMP COUPLING KIT 198

FIGURE 3-23. GEAR PUMP ASSEMBLY..... 200

FIGURE 3-24. PISTON PUMP ASSEMBLY..... 202

FIGURE 3-25. SPARK ARRESTOR INSTALLATION - DEUTZ D2.9L4 ENGINE..... 206

FIGURE 3-26. CATALYTIC SPARK ARRESTOR INSTALLATION - DEUTZ D2.3L3 ENGINE 208

FIGURE 3-27. SPARK ARRESTOR INSTALLATION - DEUTZ D2.3L3 ENGINE..... 210

FIGURE 3-28. ENGINE BAFFLE INSTALLATION..... 212

SECTION 4 - BOOM..... 215

FIGURE 4-1. CYLINDERS INSTALLATION - USA BUILT MACHINES 216

FIGURE 4-2. CYLINDERS INSTALLATION - ROMANIAN BUILT MACHINES 218

FIGURE 4-3. BOOM INSTALLATION - USA BUILT MACHINES..... 220

FIGURE 4-4. BOOM INSTALLATION - ROMANIAN BUILT MACHINES..... 222

FIGURE 4-5. JIB INSTALLATION - USA BUILT MACHINES 224

FIGURE 4-6. JIB INSTALLATION - ROMANIAN BUILT MACHINES..... 226

FIGURE 4-7. MAIN BOOM ASSEMBLY 228

FIGURE 4-8. TOWER BOOM ASSEMBLY - USA BUILT MACHINES..... 230

FIGURE 4-9. TOWER BOOM ASSEMBLY - ROMANIAN BUILT MACHINES..... 232

FIGURE 4-10. ROTATOR ASSEMBLY..... 234

FIGURE 4-11. PLATFORM SUPPORT INSTALLATION - WITHOUT LSS 236

FIGURE 4-12. PLATFORM SUPPORT INSTALLATION - WITH LSS 238

FIGURE 4-13. VALVES INSTALLATION - BOOM MOUNTED..... 240

FIGURE 4-14. UPRIGHT VALVE ASSEMBLY..... 242

FIGURE 4-15. BOOM VALVE ASSEMBLY..... 244

SECTION 5 - PLATFORM..... 247

FIGURE 5-1. PLATFORM ASSEMBLY - 30IN X 4FT (76CM X 1.22M) - SIDE GATE ENTRY (USA BUILT MACHINES)..... 248

FIGURE 5-3. PLATFORM ASSEMBLY - 30IN X 6FT (76CM X 1.83M) - SIDE GATE ENTRY (USA BUILT MACHINES)..... 252

FIGURE 5-4. PLATFORM ASSEMBLY - 30IN X 4FT (76CM X 1.22M) - SIDE GATE ENTRY (ROMANIAN BUILT MACHINES)..... 254

FIGURE 5-5. PLATFORM ASSEMBLY - 30IN X 5FT (76CM X 1.52M) - SIDE GATE ENTRY (ROMANIAN BUILT MACHINES)..... 256

FIGURE 5-6. PLATFORM ASSEMBLY - 30IN X 6FT (76CM X 1.83M) - SIDE GATE ENTRY (ROMANIAN BUILT MACHINES)..... 258

FIGURE 5-7. PLATFORM ASSEMBLY - 30IN X 4FT (76CM X 1.22M) - WITH DROP BAR (USA BUILT MACHINES)..... 260

FIGURE 5-8. PLATFORM ASSEMBLY - 30IN X 5FT (76CM X 1.52M) - WITH DROP BAR (USA BUILT MACHINES)..... 262

FIGURE 5-9. PLATFORM ASSEMBLY - 30IN X 6FT (76CM X 1.83M) - WITH DROP BAR (USA BUILT MACHINES)..... 264

FIGURE 5-10. PLATFORM ASSEMBLY - 30IN X 4FT (76CM X 1.22M) - WITH DROP BAR (ROMANIAN BUILT MACHINES)..... 266

FIGURE 5-11. PLATFORM ASSEMBLY - 30IN X 5FT (76CM X 1.52M) - WITH DROP BAR (ROMANIAN BUILT MACHINES)..... 268

FIGURE 5-12. PLATFORM ASSEMBLY - 30IN X 6FT (76CM X 1.83M) - WITH DROP BAR (ROMANIAN BUILT MACHINES)..... 270

FIGURE 5-13. PLATFORM ASSEMBLY - 30IN X 5FT (76CM X 1.52M) - FALL ARREST (ANSI AND CSA SPECS)..... 272

FIGURE 5-14. CONSOLE BOX INSTALLATION - WITHOUT SKYGUARD..... 274

TABLE OF CONTENTS

FIGURE 5-15. CONSOLE BOX INSTALLATION - WITH SKYGUARD	27
FIGURE 5-16. PLATFORM CONSOLE BOX ASSEMBLY - WITHOUT SKYGUARD	27
FIGURE 5-17. PLATFORM CONSOLE BOX ASSEMBLY - WITH SKYGUARD	28
FIGURE 5-18. CONTROLLER ASSEMBLY - DRIVE AND STEER	28
FIGURE 5-19. CONTROLLER ASSEMBLY - LIFT AND SWING	28
FIGURE 5-20. FOOTSWITCH ASSEMBLY	29
FIGURE 5-21. TRAY ASSEMBLY	29
FIGURE 5-22. SOFT TOUCH INSTALLATION - 6FT/1.8M PLATFORM (ANSI, ANSI EXPORT AND CSA SPECS) (Prior to SN 0300211853, Prior to SN E300002974)	29
FIGURE 5-23. SOFT TOUCH INSTALLATION - 6FT/1.8M PLATFORM (ANSI, ANSI EXPORT AND CSA SPECS) (SN 0300211853 to Present, SN E300002974 to Present)	29
FIGURE 5-24. SOFT TOUCH INSTALLATION - 5FT/1.52M PLATFORM WITH FALL ARREST (ANSI, ANSI EXPORT AND CSA SPECS) (Prior to SN 0300211853, Prior to SN E300002974)	30
FIGURE 5-25. SOFT TOUCH INSTALLATION - 5FT/1.52M PLATFORM WITH FALL ARREST (ANSI, ANSI EXPORT AND CSA SPECS) (SN 0300211853 to Present, SN E300002974 to Present)	30
FIGURE 5-26. SKYGUARD SYSTEM INSTALLATION	30
FIGURE 5-27. CROSS RAIL INSTALLATION	30
SECTION 6 - CYLINDER	30
FIGURE 6-1. AXLE LOCKOUT CYLINDER ASSEMBLY	31
FIGURE 6-2. LEVEL (PLATFORM SLAVE) CYLINDER ASSEMBLY	31
FIGURE 6-3. LIFT CYLINDER ASSEMBLY - JIB	31
FIGURE 6-4. LIFT CYLINDER ASSEMBLY - MAIN BOOM (USA BUILT MACHINES)	31
FIGURE 6-5. LIFT CYLINDER ASSEMBLY - MAIN BOOM (ROMANIAN BUILT MACHINES)	31
FIGURE 6-6. LIFT CYLINDER ASSEMBLY - TOWER BOOM	32
FIGURE 6-7. MASTER CYLINDER ASSEMBLY	32
FIGURE 6-8. STEER CYLINDER ASSEMBLY	32
FIGURE 6-9. TELESCOPE CYLINDER ASSEMBLY (USA BUILT MACHINES)	32
FIGURE 6-10. TELESCOPE CYLINDER ASSEMBLY (ROMANIAN BUILT MACHINES)	32
SECTION 7 - HYDRAULIC	33
FIGURE 7-1. HYDRAULIC SYSTEM INSTALLATION	33
FIGURE 7-2. HYDRAULIC DIAGRAM LIST	33
SECTION 8 - ELECTRICAL	33
FIGURE 8-1. ELECTRICAL DIAGRAM LIST	34
FIGURE 8-2. AC BOX AT PLATFORM - LOCALLY SUPPLIED COMPONENTS FOR ANSI EXPORT, AUSTRALIAN AND CE SPECS	34
FIGURE 8-3. AC BOX AT PLATFORM INSTALLATION - 110V - ANSI, ANSI EXPORT AND CSA SPECS	34
FIGURE 8-4. AC BOX AT PLATFORM INSTALLATION - 110V IEC YELLOW (CE SPEC)	34
FIGURE 8-5. AC BOX AT PLATFORM INSTALLATION - 220V - ANSI, ANSI EXPORT AND CSA SPECS	34
FIGURE 8-6. AC BOX AT PLATFORM INSTALLATION - 220V IEC BLUE (CE SPEC)	35
FIGURE 8-7. AC BOX AT PLATFORM INSTALLATION - 220V CEE7 POST GROUND WITH 70MM X 70MM BOX (CE SPEC) (Prior to SN 0300210159, Prior to SN E300002764)	35
FIGURE 8-8. AC BOX AT PLATFORM INSTALLATION - 220V CEE7 SIDE GROUND WITH 70MM X 70MM BOX (CE SPEC) (Prior to SN 0300210159, Prior to SN E300002764)	35
FIGURE 8-9. AC BOX AT PLATFORM INSTALLATION - 220V CEE7 POST GROUND WITH 2IN X 4IN BOX (CE SPEC) (Prior to SN 0300210159, Prior to SN E300002764)	35
FIGURE 8-10. AC BOX AT PLATFORM INSTALLATION - 220V CEE7 POST GROUND WITH 2IN X 4IN BOX (CE SPEC) (SN 0300210159 to Present, SN E300002764 to Present)	35
FIGURE 8-11. AC BOX AT PLATFORM INSTALLATION - 220V CEE7 SIDE GROUND WITH 2IN X 4IN BOX (CE SPEC) (Prior to SN 0300210159, Prior to SN E300002764)	36
FIGURE 8-12. AC BOX AT PLATFORM INSTALLATION - 220V CEE7 SIDE GROUND WITH 2IN X 4IN BOX (CE SPEC) (SN 0300210159 to Present, SN E300002764 to Present)	36
FIGURE 8-13. AC BOX AT PLATFORM INSTALLATION - 220V AFSINT 107 KEYED GROUND WITH 2IN X 4IN BOX (CE SPEC)	36
FIGURE 8-14. BEACON LIGHT HARNESS (BLUE BEACON ONLY) (SN 0300199221 through 0300202578)	36
FIGURE 8-15. BEACON LIGHT HARNESS (BLUE BEACON ONLY) (SN 0300202579 to Present, SN E300000001 to Present)	3
FIGURE 8-16. BEACON EXTENSION HARNESS (BLUE BEACON LIGHT ONLY) (SN 0300202579 to Present, SN E300000001 to Present)	37
FIGURE 8-17. BOOM CABLES AND CLAMPS INSTALLATION (WITHOUT ARCTIC PACKAGE)	37
FIGURE 8-18. BOOM CABLES AND CLAMPS INSTALLATION (WITH ARCTIC PACKAGE)	37
FIGURE 8-19. BOOM HARNESS - MAIN BOOM (WITHOUT ARCTIC PACKAGE)	38

TABLE OF CONTENTS

- FIGURE 8-20. BOOM HARNESS - MAIN BOOM (WITH ARCTIC PACKAGE)382
- FIGURE 8-21. BOOM HARNESS - MAIN BOOM AC CABLE (WITHOUT ARCTIC PACKAGE) 384
- FIGURE 8-22. BOOM HARNESS - MAIN BOOM AC CABLE (WITH ARCTIC PACKAGE)..... 386
- FIGURE 8-23. BOOM HARNESS - TOWER BOOM (WITHOUT ARCTIC PACKAGE) 388
- FIGURE 8-24. BOOM HARNESS - TOWER BOOM (WITH ARCTIC PACKAGE) 390
- FIGURE 8-25. BOOM HARNESS - TOWER BOOM AC CABLE (WITHOUT ARCTIC PACKAGE)..... 392
- FIGURE 8-26. BOOM HARNESS - TOWER BOOM AC CABLE (WITH ARCTIC PACKAGE) 394
- FIGURE 8-27. BOOM VALVE HARNESS..... 396
- FIGURE 8-28. BREAKER BOX KIT WITH TWO BREAKERS - CE SPEC..... 398
- FIGURE 8-29. BREAKER BOX KIT WITH THREE BREAKERS - CE SPEC..... 400
- FIGURE 8-30. CHASSIS SOLENOID HARNESS..... 402
- FIGURE 8-31. ENGINE HARNESS - DEUTZ D2.3L3 404
- FIGURE 8-32. ENGINE HARNESS - DEUTZ D2.9L4 406
- FIGURE 8-33. ENGINE HARNESS - GM 410
- FIGURE 8-34. FUEL HARNESS- DEUTZ D2.9L4 ENGINE..... 412
- FIGURE 8-35. GROUND CONTROL PANEL HARNESS 414
- FIGURE 8-36. PLATFORM CONSOLE BOX HARNESS 416
- FIGURE 8-37. RECEPTACLE BOX KIT - 110V IEC YELLOW (CE SPEC) 418
- FIGURE 8-38. RECEPTACLE BOX KIT - 220V IEC BLUE (CE SPEC)..... 420
- FIGURE 8-39. RECEPTACLE BOX KIT - 220V CEE7 POST GROUND 2IN X 4IN BOX (CE SPEC) 422
- FIGURE 8-40. RECEPTACLE BOX KIT - 220V CEE7 SIDE GROUND 2IN X 4IN BOX (CE SPEC) 424
- FIGURE 8-41. RECEPTACLE BOX KIT - 220V CEE7 POST GROUND 70MM X 70MM BOX (CE SPEC) 426
- FIGURE 8-42. RECEPTACLE BOX KIT - 220V CEE7 SIDE GROUND 70MM X 70MM BOX (CE SPEC)..... 428
- FIGURE 8-43. RECEPTACLE BOX KIT - 220V AFSINT 107 (CE SPEC) 430
- FIGURE 8-44. TURNTABLE HARNESS 432
- FIGURE 8-45. VALVE HARNESS - MAIN VALVE 436
- FIGURE 8-46. VALVE HARNESS - PLATFORM VALVE..... 438

- SECTION 9 - DECAL..... 441
 - FIGURE 9-1. DECAL INSTALLATION - ANSI AND ANSI EXPORT SPECS (ENGLISH) 442
 - FIGURE 9-2. DECAL INSTALLATION - AUSTRALIAN SPEC (ENGLISH)..... 444
 - FIGURE 9-3. DECAL INSTALLATION - BRAZIL SPEC (ENGLISH)..... 446
 - FIGURE 9-4. DECAL INSTALLATION - CE SPEC (ENGLISH) 448
 - FIGURE 9-5. DECAL INSTALLATION - CSA SPEC (FRENCH/ENGLISH) 450
 - FIGURE 9-6. DECAL INSTALLATION - CHINESE SPEC (CHINESE/ENGLISH) 452
 - FIGURE 9-7. DECAL INSTALLATION - JAPANESE SPEC (JAPANESE/ENGLISH) 454
 - FIGURE 9-8. DECAL INSTALLATION - KOREAN SPEC (KOREAN/ENGLISH) 456
 - FIGURE 9-9. DECAL INSTALLATION - LATIN AMERICA SPEC (SPANISH/ENGLISH) 458
 - FIGURE 9-10. DECAL INSTALLATION - OPTIONS 460
 - FIGURE 9-11. TOW BAR DECAL INSTALLATION - ENGLISH LANGUAGE (ANSI, ANSI EXPORT AND CE SPECS)..... 462
 - FIGURE 9-12. TOW BAR DECAL INSTALLATION - ENGLISH/SPANISH LANGUAGE (ANSI EXPORT SPECS)..... 464
 - FIGURE 9-13. TOW BAR DECAL INSTALLATION - SPANISH LANGUAGE (CE SPECS) 466

- SECTION 10 - RECOMMENDED SERVICE PARTS STOCK..... 469
 - FIGURE 10-1. RECOMMENDED SERVICE PARTS STOCK..... 470

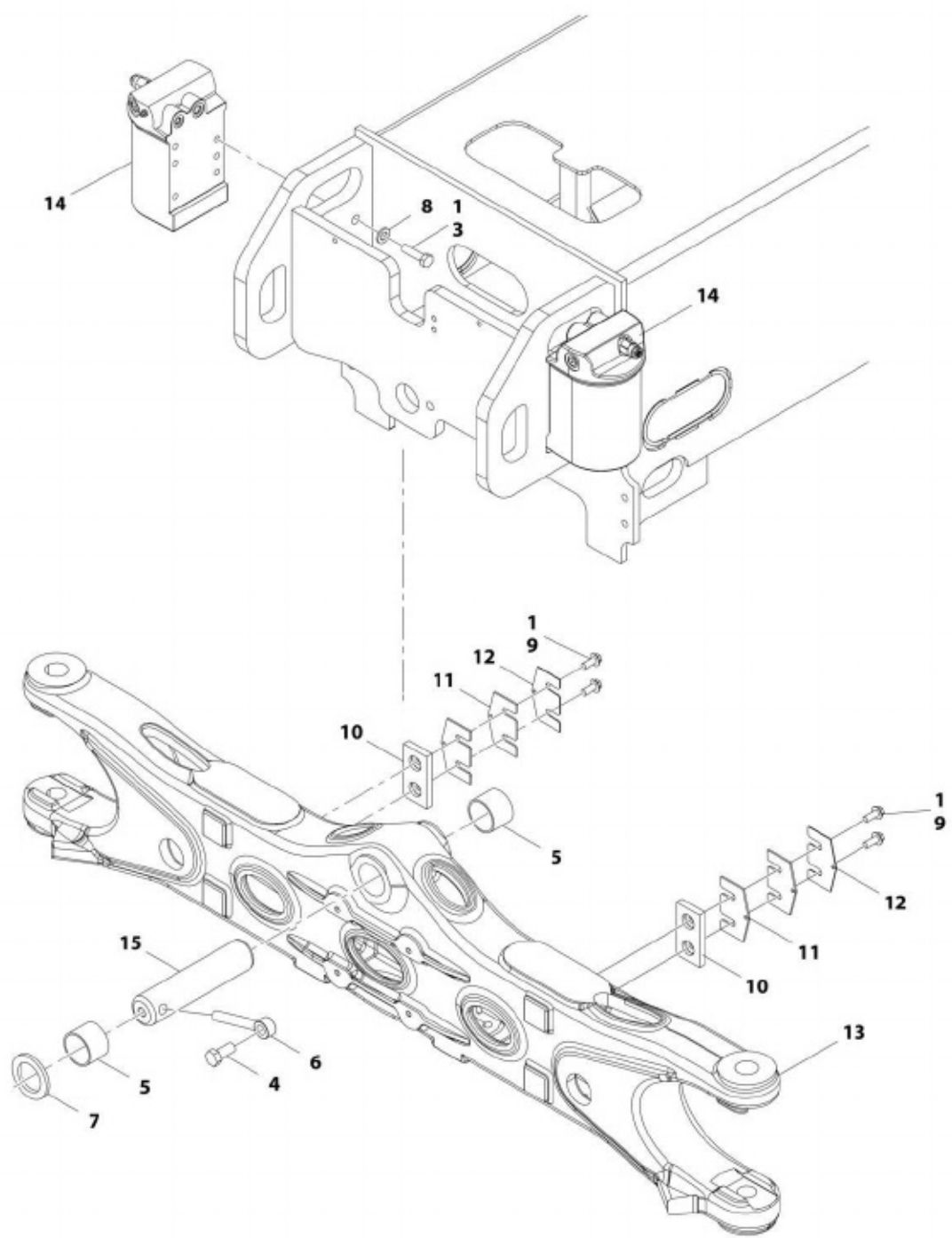
- SECTION 11 - SPECIAL OPTIONS 473
 - FIGURE 11-1. SPECIAL OPTIONS 474

- PART NUMBER INDEX..... 479

SECTION 1 - FRAME

SECTION 1 - FRAME

FIGURE 1-1. AXLE INSTALLATION



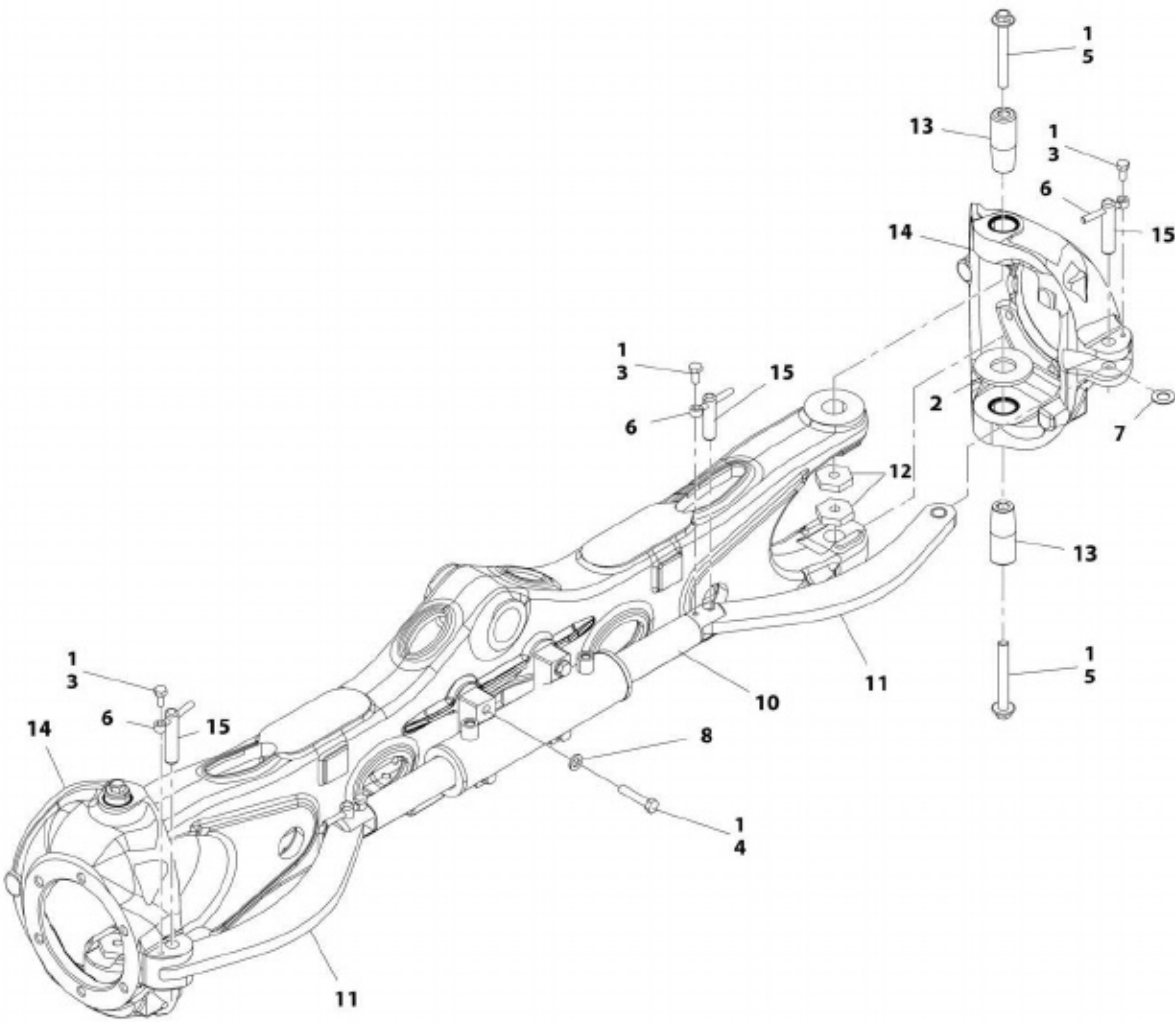
ART_1001164093

FIGURE 1-1. AXLE INSTALLATION

ITEM	PART NUMBER	QTY	DESCRIPTION	REV
	1001164093	Ref	AXLE INSTALLATION	B
1	0100011	AR	Compound, Locking	
3	0701217	8	Bolt M12 x 45	
4	0761615	1	Bolt M16 x 35	
5	0961950	2	Bearing	
6	3841258	1	Keeper, Pin	
7	4740158	1	Washer	
8	5241200	8	Washer M12	
9	5251012	4	Bolt M10 x 25	
10	1001118511	2	Pad, Wear	
11	1001118518	4	Shim 11Ga	
12	1001118519	2	Shim 16Ga	
13	1001162995	1	Axle	
14	1001163580	2	Axle Lockout Cylinder Assembly (See CYLINDER SECTION for Breakdown)	
15	1001164552	1	Pin	

SECTION 1 - FRAME

FIGURE 1-2. STEER INSTALLATION WITHOUT TOW PACKAGE



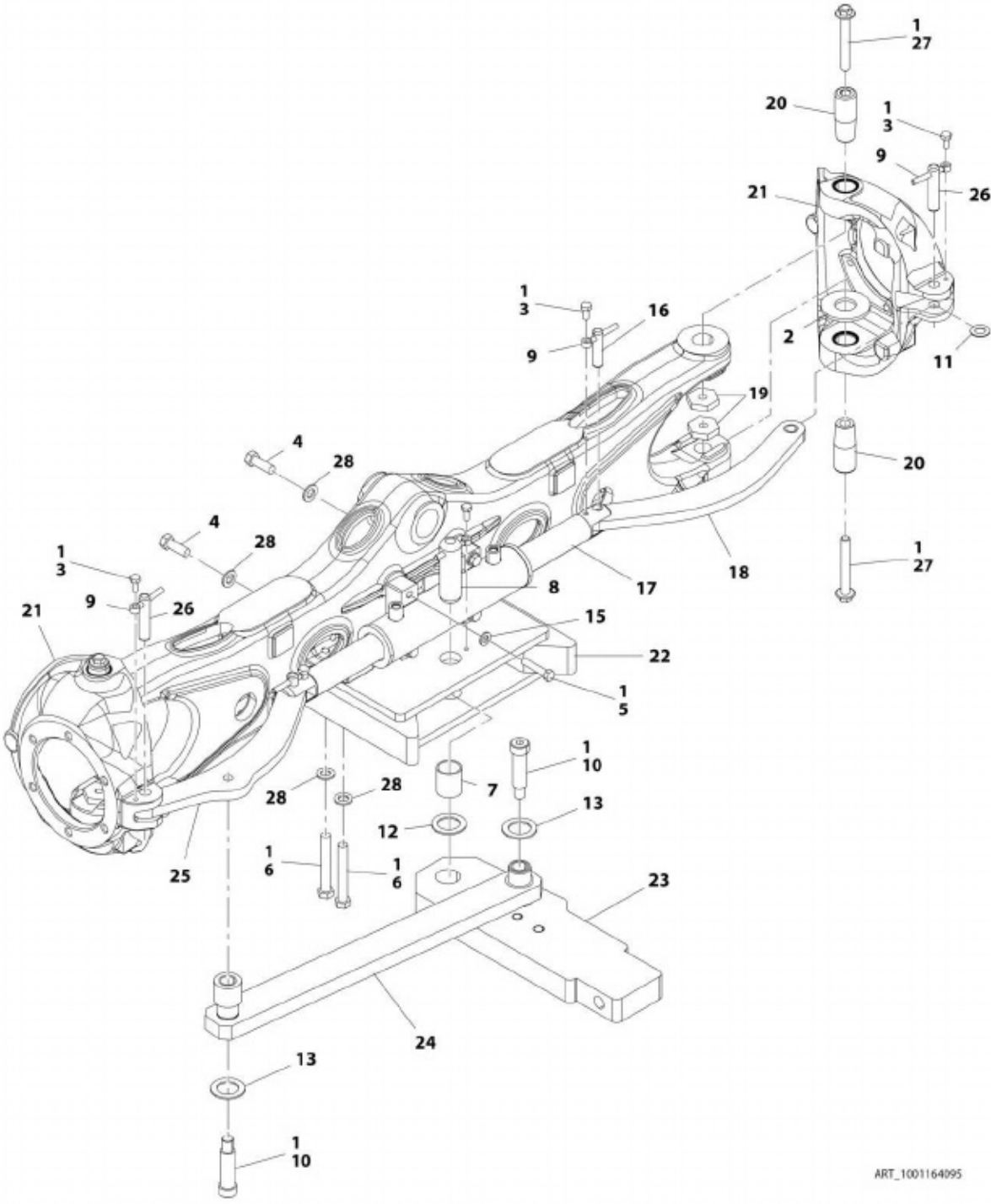
ART_1001164092

FIGURE 1-2. STEER INSTALLATION WITHOUT TOW PACKAGE

ITEM	PART NUMBER	QTY	DESCRIPTION	REV
	1001164092	Ref	STEER INSTALLATION WITHOUT TOW PACKAGE	E
1	0100011	AR	Compound, Locking	
2	0440271	2	Bearing, Thrust	
3	0761011	4	Bolt M10 x 22	
4	0711220	4	Bolt M12 x 60 Grade 10.9	
5	1001190368	4	Bolt M16 x 120	
6	3841143	4	Keeper, Pin	
7	4740086	4	Washer	
8	5241200	4	Washer M12	
10	1001163178	1	Steer Cylinder Assembly (See CYLINDER SECTION for Breakdown)	
11	1001163179	2	Link	
11	1001164209	4	Bearing (2 Per Link)	
12	1001176848	4	Nut M16	
13	1001163405	4	Kingpin	
14	1001163715	2	Spindle	
14	0961948	4	Bearing (2 Per Spindle)	
14	1001163716	8	Seal (4 Per Spindle)	
15	3423304	4	Pin	

SECTION 1 - FRAME

FIGURE 1-3. STEER INSTALLATION WITH TOW PACKAGE



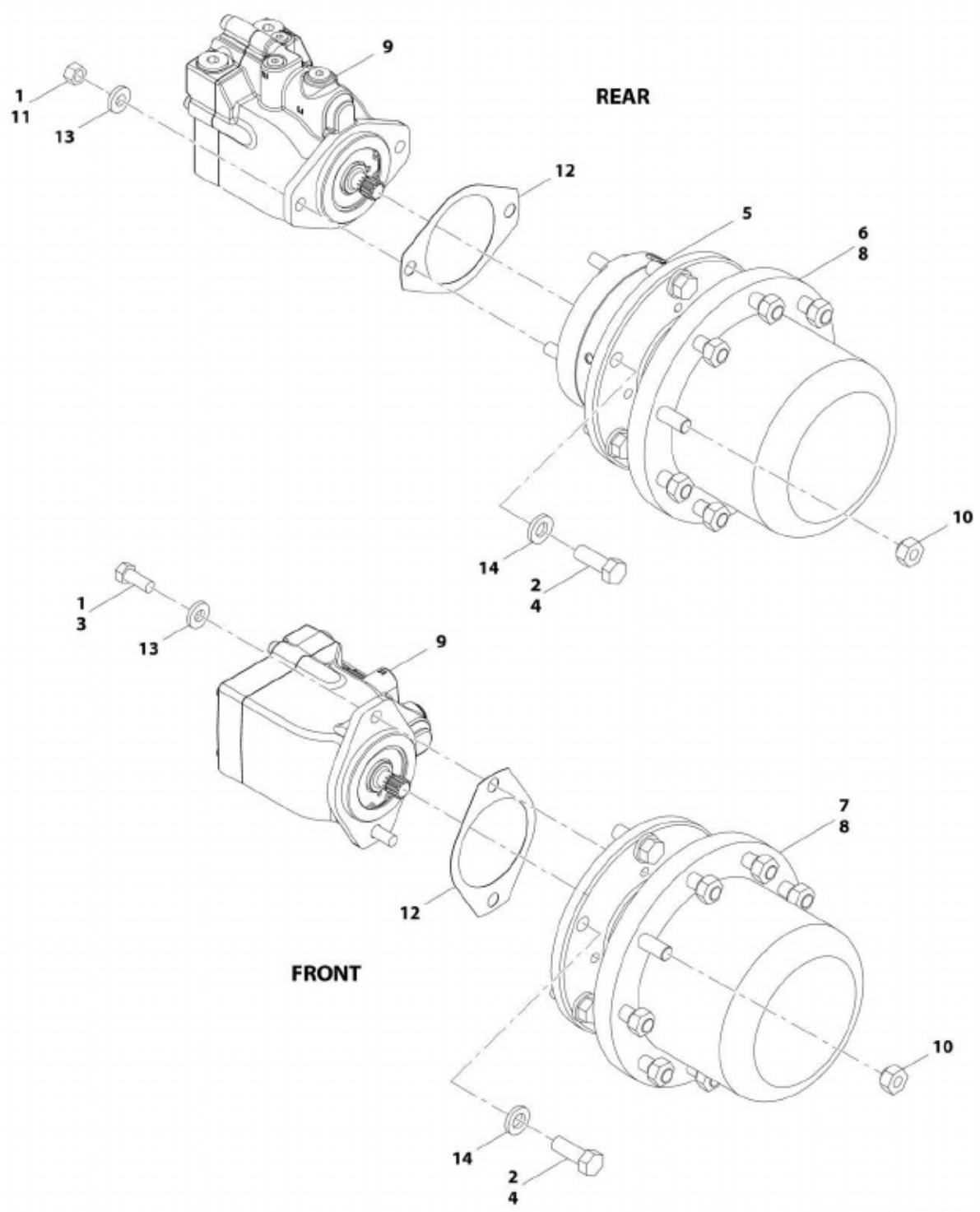
ART_1001164095

FIGURE 1-3. STEER INSTALLATION WITH TOW PACKAGE

ITEM	PART NUMBER	QTY	DESCRIPTION	REV
	1001164095	Ref	STEER INSTALLATION WITH TOW PACKAGE	D
1	0100011	AR	Compound, Locking	
2	0440271	2	Bearing, Thrust	
3	0761011	5	Bolt M10 x 22	
4	0701617	2	Bolt M16 x 45	
5	0711220	4	Bolt M12 x 60 Grade 10.9	
6	0711629	4	Bolt M16 x 120 Grade 10.9	
7	0962348	1	Bearing	
8	3422848	1	Pin	
9	3841143	5	Keeper, Pin	
10	3900295	2	Bolt 1 x 3	
11	4740086	4	Washer	
12	4740155	1	Washer	
13	4740491	2	Washer	
15	5241200	4	Washer M12	
16	1001139586	2	Pin	
17	1001163178	1	Steer Cylinder Assembly (See CYLINDER SECTION for Breakdown)	
18	1001163179	1	Link	
18	1001164209	2	Bearing	
19	1001176848	4	Nut M16	
20	1001163405	4	Kingpin	
21	1001163715	2	Spindle	
21	0961948	4	Bearing (2 per Spindle)	
21	1001163716	8	Seal, Kingpin (4 per Spindle)	
22	1001163717	1	Bracket	
23	1001163722	1	Plate, Pivot	
24	1001163724	1	Link	
24	0962292	2	Bearing	
25	1001163726	1	Link	
25	1001164209	2	Bearing	
26	3423304	2	Pin	
27	1001190368	4	Bolt M16 x 120	
28	5241600	6	Washer M16	

SECTION 1 - FRAME

FIGURE 1-4. WHEEL DRIVE INSTALLATION (4WD)



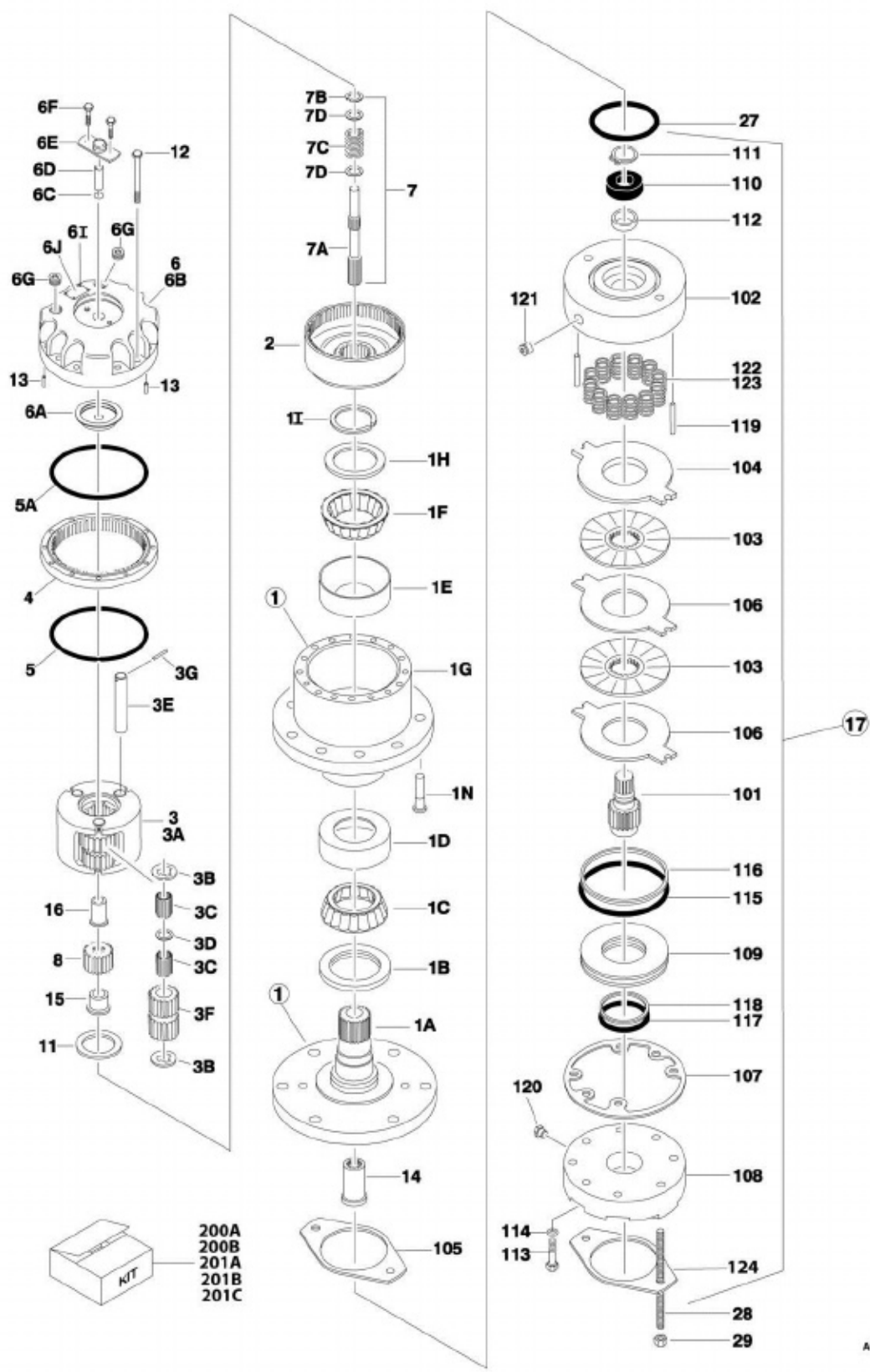
ART_1001166239

FIGURE 1-4. WHEEL DRIVE INSTALLATION (4WD)

ITEM	PART NUMBER	QTY	DESCRIPTION	REV
	1001166239	Ref	WHEEL DRIVE INSTALLATION (4WD)	C
1	0100011	AR	Compound, Locking	
2	0100019	AR	Compound, Locking	
3	0681810	4	Bolt 1/2 x 1-1/4 Grade 8	
4	0682014	24	Bolt 5/8 x 1-3/4 Grade 8	
5	2300016	AR	Fluid, Hydraulic	
6	2780267	2	Drive Hub Assembly - Rear (See DRIVE HUB ASSEMBLY - REAR for Breakdown)	
7	2780268	2	Drive Hub Assembly - Front (See DRIVE HUB ASSEMBLY - FRONT for Breakdown)	
8	3020008	AR	Lubricant	
9	3160348	4	Drive Motor Assembly (See DRIVE MOTOR ASSEMBLY for Breakdown)	
10	3300106	36	Lugnut	
11	3311801	4	Nut 1/2	
12	3960526	4	Gasket, Brake	
13	4891800	8	Washer 1/2	
14	4892000	24	Washer 5/8	

SECTION 1 - FRAME

FIGURE 1-5. DRIVE HUB AND BRAKE ASSEMBLY - REAR



ART_2680267

FIGURE 1-5. DRIVE HUB AND BRAKE ASSEMBLY - REAR

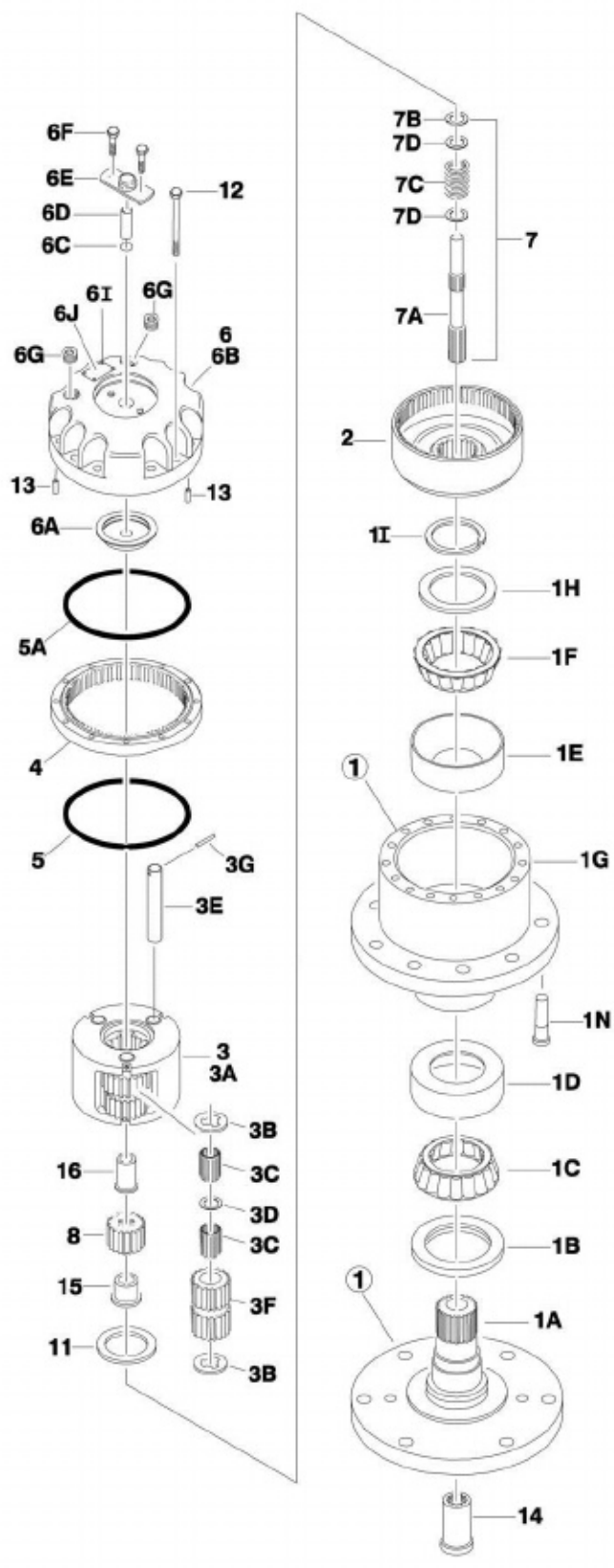
ITEM	PART NUMBER	QTY	DESCRIPTION	REV
	2780267	Ref	DRIVE HUB AND BRAKE ASSEMBLY - REAR	H
1	See Note	1	Spindle/Housing Assembly (Note: Purchase Individual Components)	
1A	7027059	1	Spindle	
1B	7001998	1	Seal	
1C	7010429	1	Cone, Bearing (Includes Item 1D)	
1D	7010429	1	Cup, Bearing (Includes Item 1C)	
1E	7000257	1	Cup, Bearing	
1F	7000258	1	Cone, Bearing	
1G	7007601	1	Housing/Ring Gear	
1H	7000232	1	Washer, Thrust	
1I	7000229	1	Ring, Retaining	
1N	7007640	9	Stud, Wheel	
2	7000246	1	Gear, Internal	
3	7024712	1	Carrier Assembly	
3A	See Note	1	Carrier (Note: Use p/n 7024712)	
3B	See Note	6	Ring, Retaining (Note: Use p/n 7024712)	
3C	See Note	AR	Bearing, Needle (Note: Use p/n 7024712)	
3D	See Note	3	Washer, Thrust (Note: Use p/n 7024712)	
3E	See Note	3	Shaft, Planet (Note: Use p/n 7024712)	
3F	See Note	3	Gear, Planet (Note: Use p/n 7024712)	
3G	See Note	3	Roll Pin (Note: Not Available for Purchase)	
4	7000248	1	Ring Gear	
5	7000230	1	O-Ring	
5A	7017070	1	O-Ring	
6	70001349	1	Cover assembly Kit	
6A	See Note	1	Spacer, Thrust (Note: Use p/n 70001349)	
6B	See Note	1	Plate, Cover (Note: Use p/n 70001349)	
6C	See Note	1	O-Ring (Note: Use p/n 70001349)	
6D	See Note	1	Rod, Disconnect (Note: Use p/n 70001349)	
6E	See Note	1	Cap, Disengage (Note: Use p/n 70001349)	
6F	See Note	2	Bolt (Note: Use p/n 70001349)	
6G	See Note	1	Plug, Pipe (Note: Use p/n 70001349)	
6I	See Note	4	Rivet (Note: Not Available for Purchase)	
6J	See Note	1	Plate, ID (Note: Not Available for Purchase)	
7		Ref	Input Shaft Assembly	
7A	7024714	1	Shaft	
7B	7000261	1	Ring, Retaining	
7C	7000262	1	Spring	
7D	7000263	2	Spacer, Thrust	
8	7024713	1	Gear, Sun	
11	7000253	1	Washer, Thrust	
12	7017067	12	Bolt	
13	7017080	4	Pin, Dowell	
14	7000206	1	Coupling	
15	7024715	1	Spacer, Input	
16	7024716	1	Spacer, Input	
17	7024182	1	Brake Assembly (See Items 101-123 for Breakdown)	
27	7024705	1	O-Ring	
28	7024717	2	Rod, Threaded	

SECTION 1 - FRAME

ITEM	PART NUMBER	QTY	DESCRIPTION	REV
29	7024718	2	Nut 1/2in-13NC	
	7024182	Ref	BRAKE ASSEMBLY	
101	7024189	1	Shaft	
102	See Note	1	Housing (Note: Use p/n 7024182)	
103	See Note	2	Plate, Friction (Note: Use p/n 7024193)	
104	See Note	1	Plate, Pressure (Note: Use p/n 7024193)	
105	70005483	1	Gasket	
106	See Note	2	Plate, Outer (Note: Use p/n 7024193)	
107	See Note	1	Gasket (Note: Use Item 200A, 201B or 201C)	
108	7024191	1	Cylinder	
109	7024192	1	Piston	
110	See Note	1	Bearing, Ball (Note: Use p/n 7024197)	
111	See Note	1	Ring, Retaining (Note: Use p/n 7024197)	
112	See Note	1	Seal, Shaft (Note: Use p/n 7024197)	
113	See Note	6	Capscrew (Note: Not Available for Purchase)	
114	See Note	6	Lockwasher (Note: Not Available for Purchase)	
115	See Note	1	O-Ring (Note: Not Available for Purchase)	
116	See Note	1	Ring, Back-up (Note: Not Available for Purchase)	
117	See Note	1	O-Ring (Note: Not Available for Purchase)	
118	See Note	1	Ring, Back-up (Note: Not Available for Purchase)	
119	7024190	2	Pin, Dowel	
120	See Note	1	Plug (Note: Not Available for Purchase)	
121	See Note	2	Plug (Note: Not Available for Purchase)	
122	See Note	12	Spring Kit (Natural) (Note: Use p/n 7024196)	
123	See Note	2	Spring Kit (Blue) (Note: Use p/n 7024196)	
124	70005483	1	Gasket	
		Ref	Kit Options	
200		Ref	Seal Kit Options:	
200A	See Note	1	Hub Seal Kit (Note: Purchase Individual Components)	
200B	7024194	1	Brake Seal Kit (Includes Items 105, 107 & 115-118)	
201		Ref	Repair Kit Options:	
201A	7024196	1	Brake Spring Kit (Includes 12 Natural Colored and 2 Blue Colored Springs Items 122 & 123)	
201B	7024193	1	Brake Friction Disc Kit (Includes Items 103, 104, 106 & 107)	
201C	7024197	1	Brake Bearing Kit (Includes Items 107 & 110-112)	

SECTION 1 - FRAME

FIGURE 1-6. DRIVE HUB ASSEMBLY - FRONT



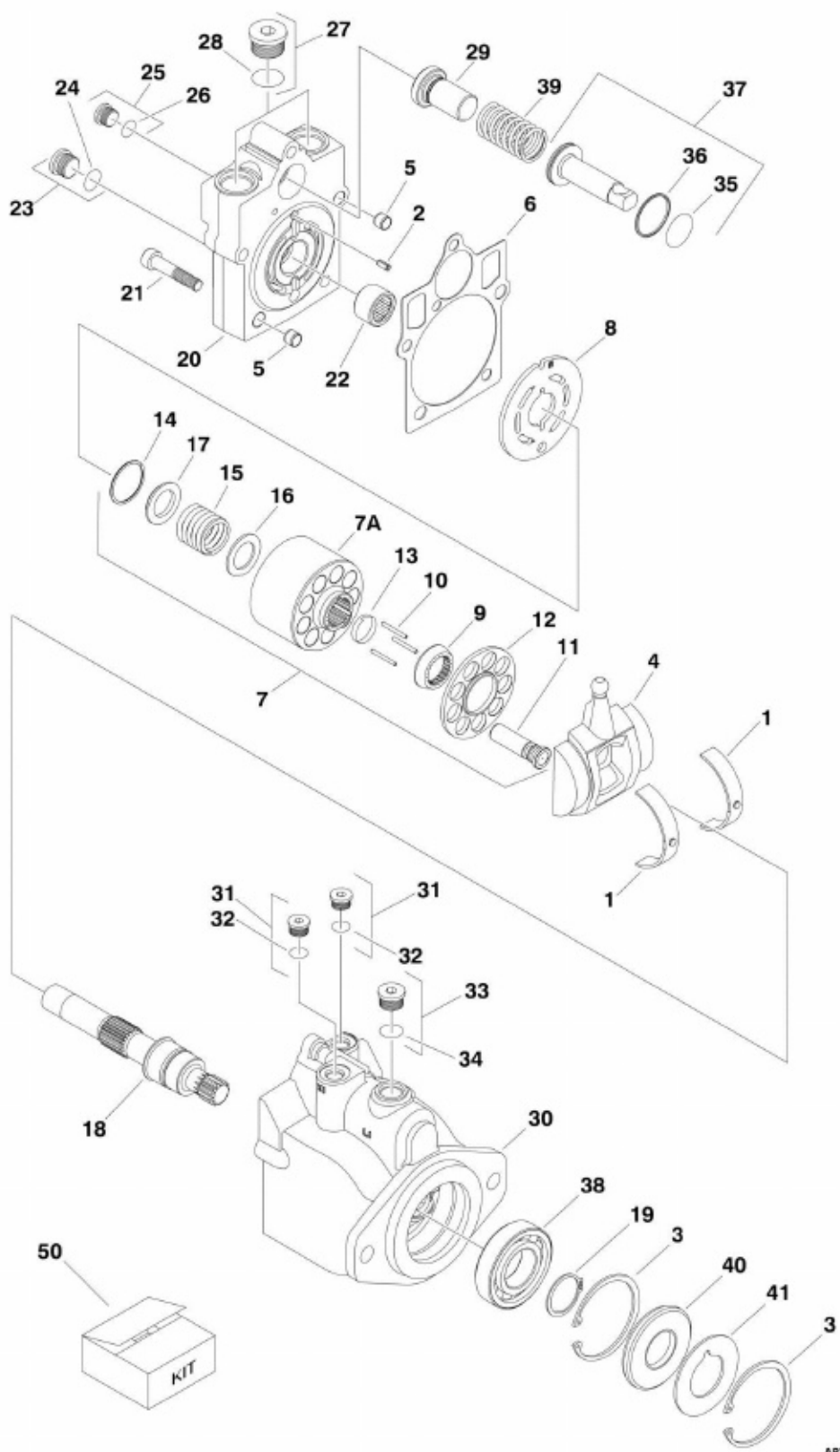
ART_2780268

FIGURE 1-6. DRIVE HUB ASSEMBLY - FRONT

ITEM	PART NUMBER	QTY	DESCRIPTION	REV
	2780268	Ref	DRIVE HUB ASSEMBLY - FRONT	A
1	See Note	1	Spindle/Housing Assembly (Note: Purchase Individual Components)	
1A	7027059	1	Spindle	
1B	7001998	1	Seal	
1C	7010429	1	Cone, Bearing (Includes Item 1D)	
1D	7010429	1	Cup, Bearing (Includes Item 1C)	
1E	7000257	1	Cup, Bearing	
1F	7000258	1	Cone, Bearing	
1G	7007601	1	Housing/Ring Gear	
1H	7000232	1	Washer, Thrust	
1I	7000229	1	Ring, Retaining	
1N	7007640	9	Stud, Wheel	
2	7000246	1	Gear, Internal	
3	7024712	1	Carrier Assembly	
3A	See Note	1	Carrier (Note: Use p/n 7024712)	
3B	See Note	6	Ring, Retaining (Note: Use p/n 7024712)	
3C	See Note	AR	Bearing, Needle (Note: Use p/n 7024712)	
3D	See Note	3	Washer, Thrust (Note: Use p/n 7024712)	
3E	See Note	3	Shaft, Planet (Note: Use p/n 7024712)	
3F	See Note	3	Gear, Planet (Note: Use p/n 7024712)	
3G	See Note	3	Roll Pin (Note: Not Available for Purchase)	
4	7000248	1	Ring Gear	
5	7000230	1	O-Ring	
5A	7017070	1	O-Ring	
6	70001349	1	Cover Assembly Kit	
6A	See Note	1	Spacer, Thrust (Note: Use p/n 70001349)	
6B	See Note	1	Plate, Cover (Note: Use p/n 70001349)	
6C	See Note	1	O-Ring (Note: Use p/n 70001349)	
6D	See Note	1	Rod, Disconnect (Note: Use p/n 70001349)	
6E	See Note	1	Cap, Disengage (Note: Use p/n 70001349)	
6F	See Note	2	Bolt (Note: Use p/n 70001349)	
6G	See Note	1	Plug, Pipe (Note: Use p/n 70001349)	
6I	See Note	4	Rivet (Note: Not Available for Purchase)	
6J	See Note	1	Plate, ID (Note: Not Available for Purchase)	
7		Ref	Input Shaft Assembly	
7A	7024714	1	Shaft	
7B	7000261	1	Ring, Retaining	
7C	7000262	1	Spring	
7D	7000263	2	Spacer, Thrust	
8	7024713	1	Gear, Sun	
11	7000253	1	Washer, Thrust	
12	7017067	12	Bolt	
13	7017080	4	Pin, Dowell	
14	7000206	1	Coupling	
15	7024715	1	Spacer, Input	
16	7024716	1	Spacer, Input	

SECTION 1 - FRAME

FIGURE 1-7. DRIVE MOTOR ASSEMBLY (4WD)



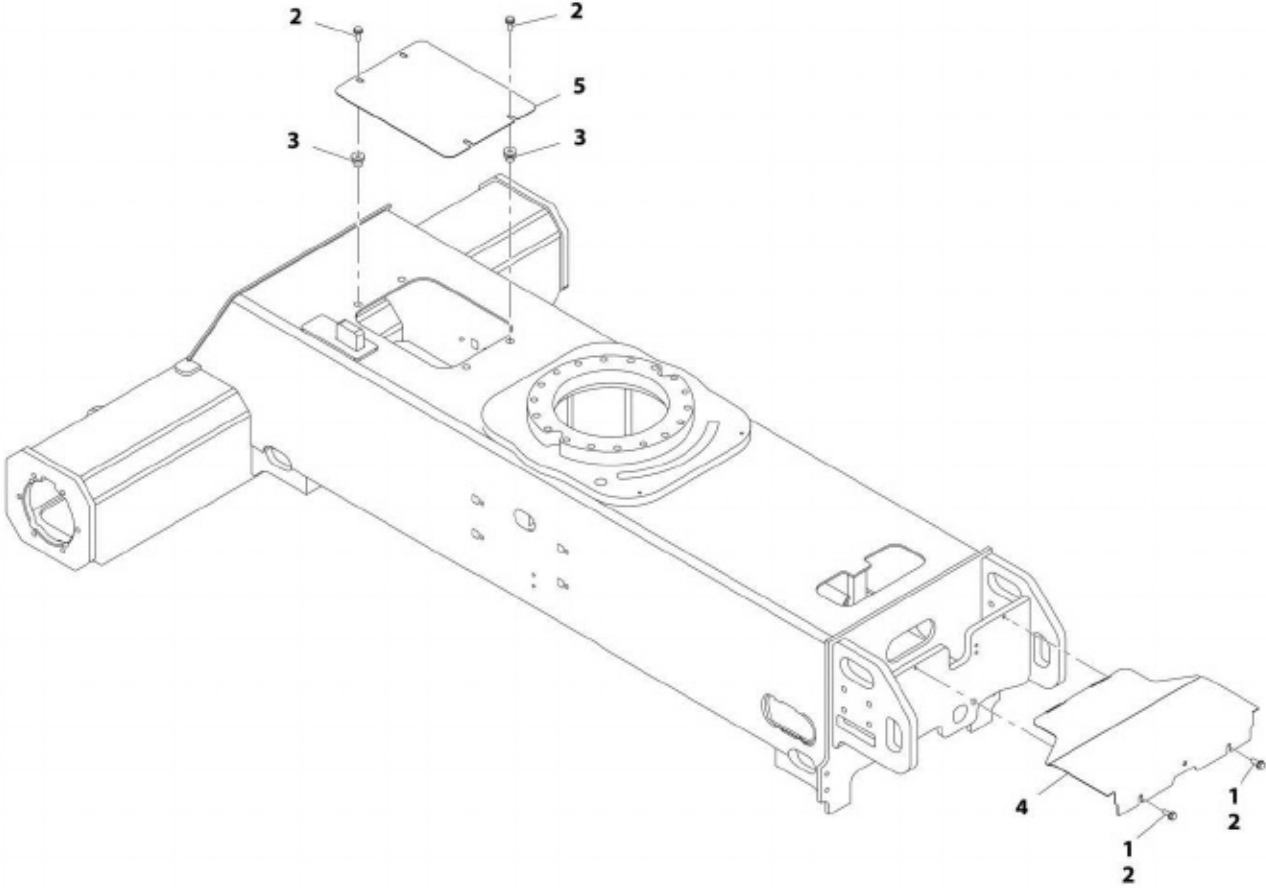
ART_3160348

FIGURE 1-7. DRIVE MOTOR ASSEMBLY (4WD)

ITEM	PART NUMBER	QTY	DESCRIPTION	REV
	3160348	Ref	DRIVE MOTOR ASSEMBLY (4WD)	C
1	7022302	2	Bearing, Journal	
2	7007446	1	Pin	
3	7007438	2	Ring, Retaining	
4	7022305	1	Swash Plate	
5	See Note	2	Pin (Note: Not Available for Purchase)	
6	See Note	NSS	Gasket (Note: use Item 50)	
7	7023907	1	Cylinder Block Kit (Includes Items 7A & 9-17)	
7A	See Note	NSS	Block, Cylinder (Note: Use p/n 7023907)	
8	7023908	1	Plate, Valve	
9	7021277	1	Guide, Slipper Retainer	
10	7021275	3	Pin, Slipper Hold Down	
11	See Note	NSS	Piston Assembly (Note: Use p/n 7023907)	
12	7021276	1	Retainer, Hold Down Pin	
13	7022310	1	Retainer, Slipper	
14	7022311	1	Ring, Retaining	
15	7022312	1	Spring	
16	7024868	1	Washer	
17	7022314	1	Retainer, Spring	
18	7023910	1	Shaft	
19	7007439	1	Ring, Retaining	
20	70000797	1	Cap, End - Axial	
21	7022368	5	Screw	
22	7021249	1	Bearing, Needle	
23	2220886	1	Plug (Includes Item 24)	
24	See Note	NSS	O-Ring (Note: Use Item 23 or 50)	
25	2220883	1	Plug (Includes Item 26)	
26	See Note	NSS	O-Ring (Note: Use Item 25 or 50)	
27	2220888	2	Plug (Includes Item 28)	
28	See Note	NSS	O-Ring (Note: Use Item 27 or 50)	
29	7022372	1	Seat, Spring	
30	See Note	NSS	Housing (Note: Use p/n 3160248)	
31	2220883	2	Plug (Includes Item 32)	
32	See Note	NSS	O-Ring (Note: Use Item 31 or 50)	
33	2220886	1	Plug (Includes Item 34)	
34	See Note	NSS	O-Ring (Note: Use Item 33 or 50)	
35	See Note	NSS	O-Ring (Note: Use Item 50)	
36	See Note	NSS	Seal, Ring (Note: Use Item 50)	
37	7024854	1	Piston, Servo (Includes Items 35 & 36)	
38	7007437	1	Bearing	
39	7022326	1	Spring	
40	See Note	NSS	Seal, Lip (Note: Use Item 50)	
41	7022371	1	Washer, Support	
50	7022328	1	Seal Kit (Includes Items 6, 24, 26, 28, 32, 34, 35, 36 & 40)	

SECTION 1 - FRAME

FIGURE 1-8. FRAME SHIELD INSTALLATION



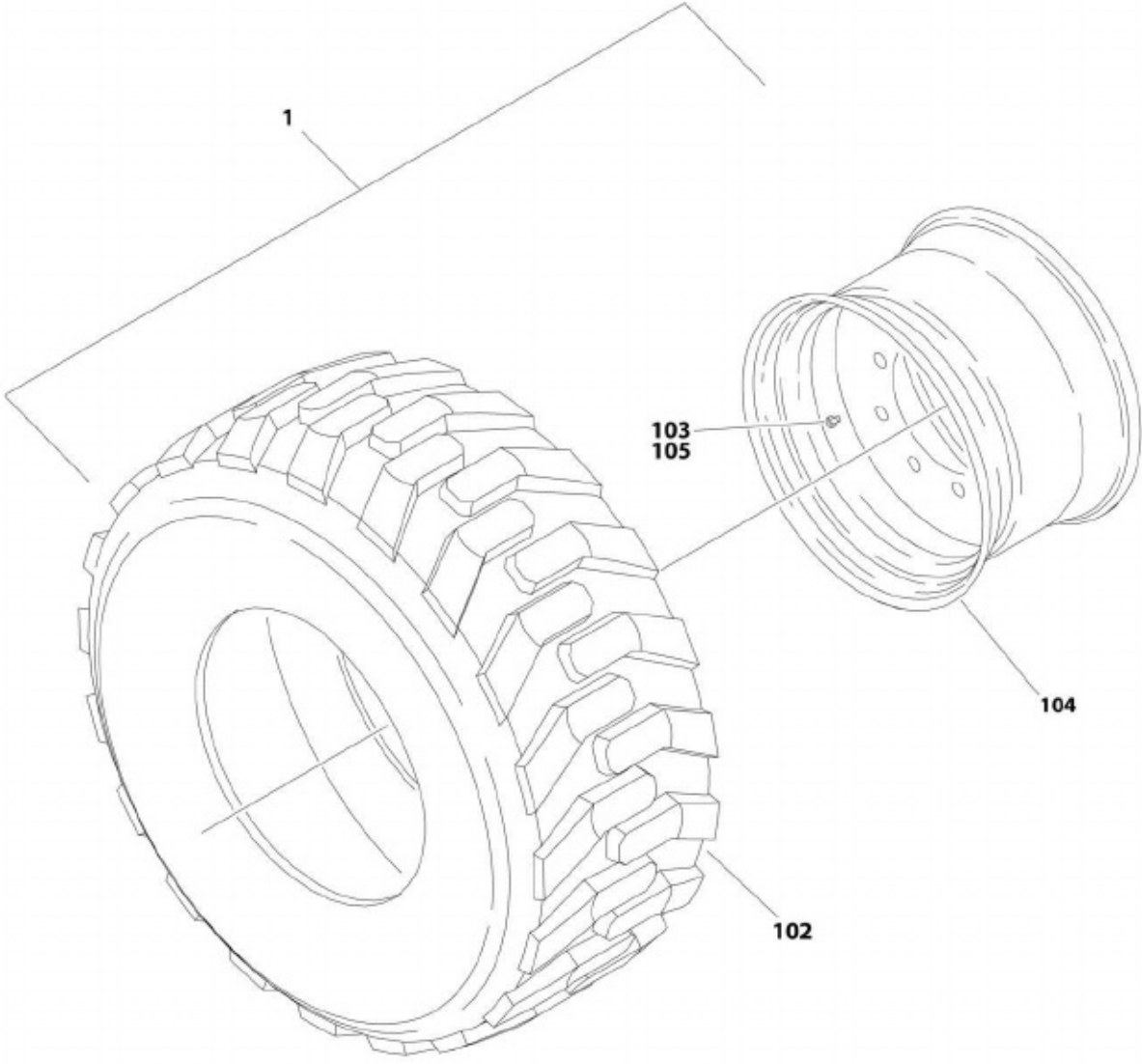
ART_1001162105

FIGURE 1-8. FRAME SHIELD INSTALLATION

ITEM	PART NUMBER	QTY	DESCRIPTION	REV
	1001162105	Ref	FRAME SHIELD INSTALLATION	B
1	0100011	AR	Compound, Locking	
2	5251012	6	Bolt, M10 x 25	
3	1001180916	4	Nut	
4	1001162107	1	Plate, Valve Cover	
5	1001165968	1	Plate, Cover	

SECTION 1 - FRAME

FIGURE 1-9. TIRE AND WHEEL INSTALLATION - 12 X 16.5 FOAM FILLED (AVAILABLE ON ANSI, ANSI EXPORT AND CSA SPECS)



ART_0270092

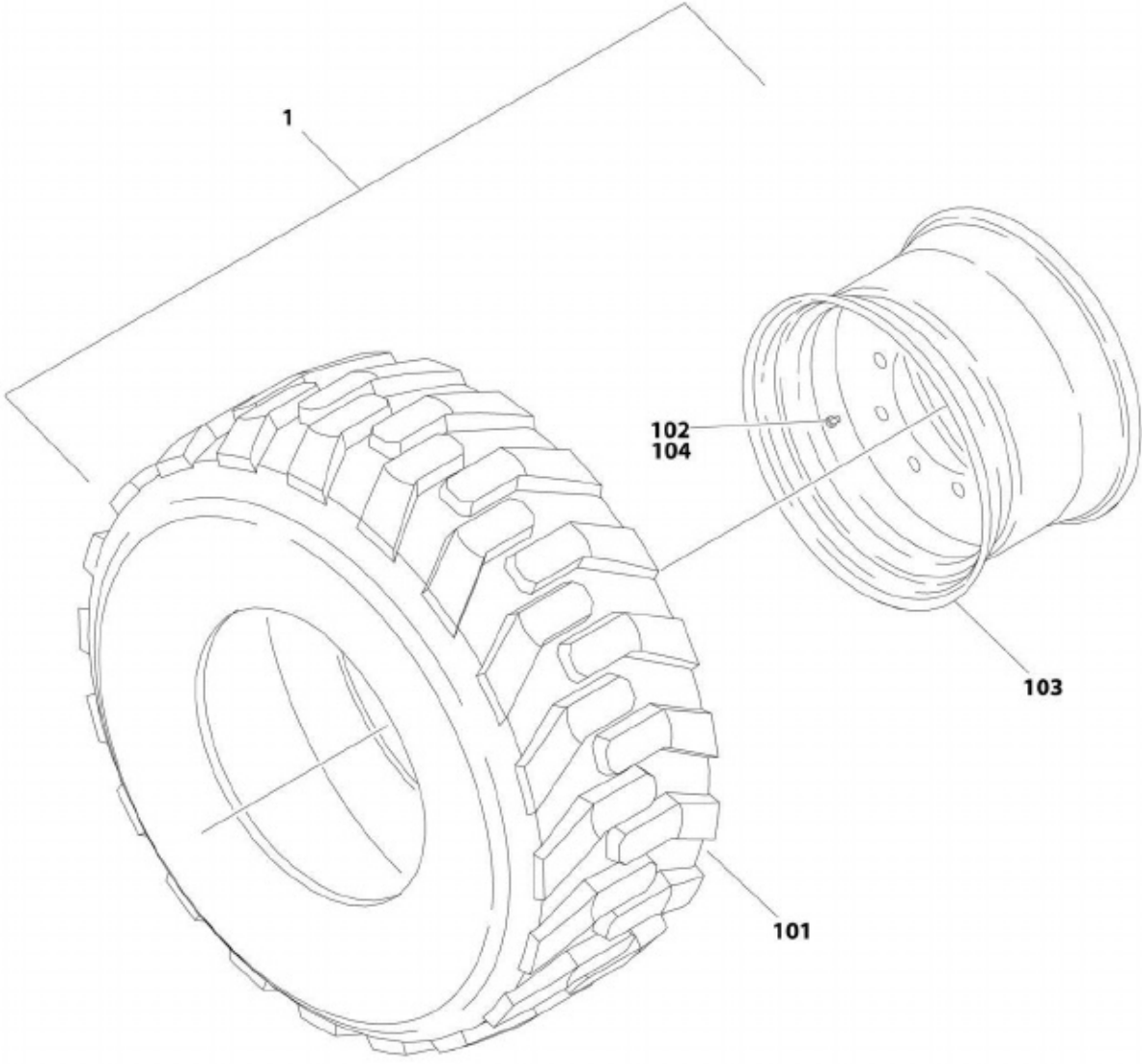
SECTION 1 - FRAMI

FIGURE 1-9. TIRE AND WHEEL INSTALLATION - 12 X 16.5 FOAM FILLED (AVAILABLE ON ANSI, ANSI EXPORT AND CSA SPECS)

ITEM	PART NUMBER	QTY	DESCRIPTION	REV
	0270092	Ref	TIRE AND WHEEL INSTALLATION - 12 X 16.5 FOAM FILLED (AVAILABLE ON ANSI, ANSI EXPORT AND CSA SPECS)	C
		Ref	Note: Assemblies may require ballast/foam filling to manufacturer's specifications prior to installing on a machine. Refer to Operation and Safety or Service and Maintenance Manuals. Purchase individual tire and/or rim only if able to foam fill tire and wheel assembly, otherwise, purchase complete assembly.	
1	1001148865	2	Tire and Wheel Assembly - 12 x 16.5 (RH Side)	E
1	1001148866	2	Tire and Wheel Assembly - 12 x 16.5 (LH Side)	E
102	4520216	4	Tire - 12 x 16.5	
103	4641122	4	Valve	
104	1001147274	4	Rim, Wheel	
105	1001149953	4	Cap, Valve Stem	

SECTION 1 - FRAME

FIGURE 1-10. TIRE AND WHEEL INSTALLATION - 12 X 16.5 FOAM FILLED NON MARKING
(AVAILABLE ON ANSI, ANSI EXPORT AND CSA SPECS)



ART_0270653

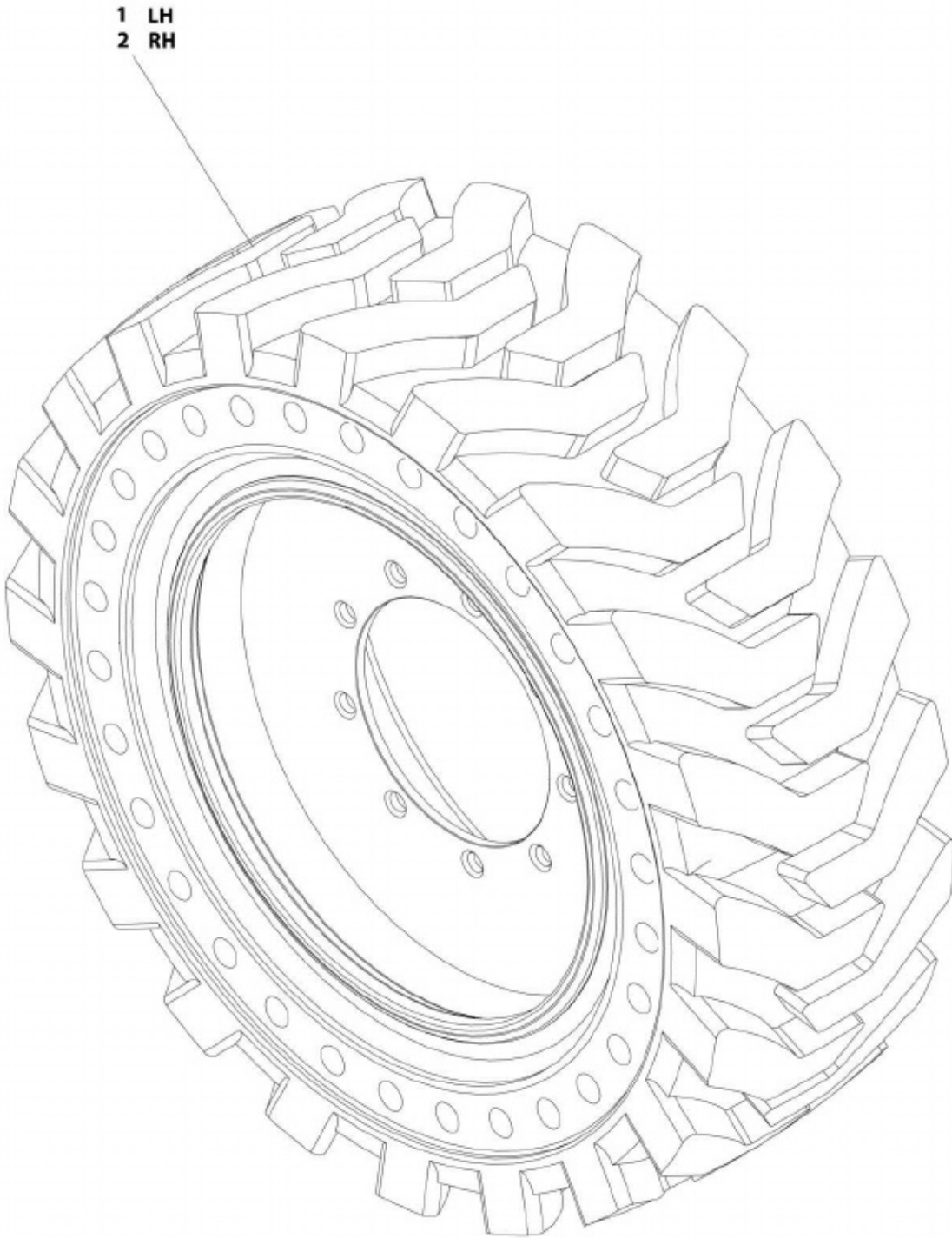
SECTION 1 - FRAMI

**FIGURE 1-10. TIRE AND WHEEL INSTALLATION - 12 X 16.5 FOAM FILLED NON MARKING
(AVAILABLE ON ANSI, ANSI EXPORT AND CSA SPECS)**

ITEM	PART NUMBER	QTY	DESCRIPTION	REV
	0270653	Ref	TIRE AND WHEEL INSTALLATION - 12 X 16.5 FOAM FILLED NON MARKING (AVAILABLE ON ANSI, ANSI EXPORT AND CSA SPECS)	B
		Ref	Note: Assemblies may require ballast/foam filling to manufacturer's specifications prior to installing on a machine. Refer to Operation and Safety or Service and Maintenance Manuals. Purchase individual tire and/or rim only if able to foam fill tire and wheel assembly, otherwise, purchase complete assembly.	
1	1001148869	2	Tire and Wheel Assembly - 12 x 16.5 Non Marking (RH Side)	E
1	1001148870	2	Tire and Wheel Assembly - 12 x 16.5 Non Marking (LH Side)	E
101	4520240	4	Tire 12 x 16.5 Non-Marking	
102	4641122	4	Valve	
103	1001147274	4	Rim, Wheel	
104	1001149953	4	Cap, Valve Stem	

SECTION 1 - FRAME

FIGURE 1-11. TIRE AND WHEEL INSTALLATION - 33 X 12-20 SOLID NON-MARKING (AVAILABLE ON AUSTRALIAN AND CE SPECS)



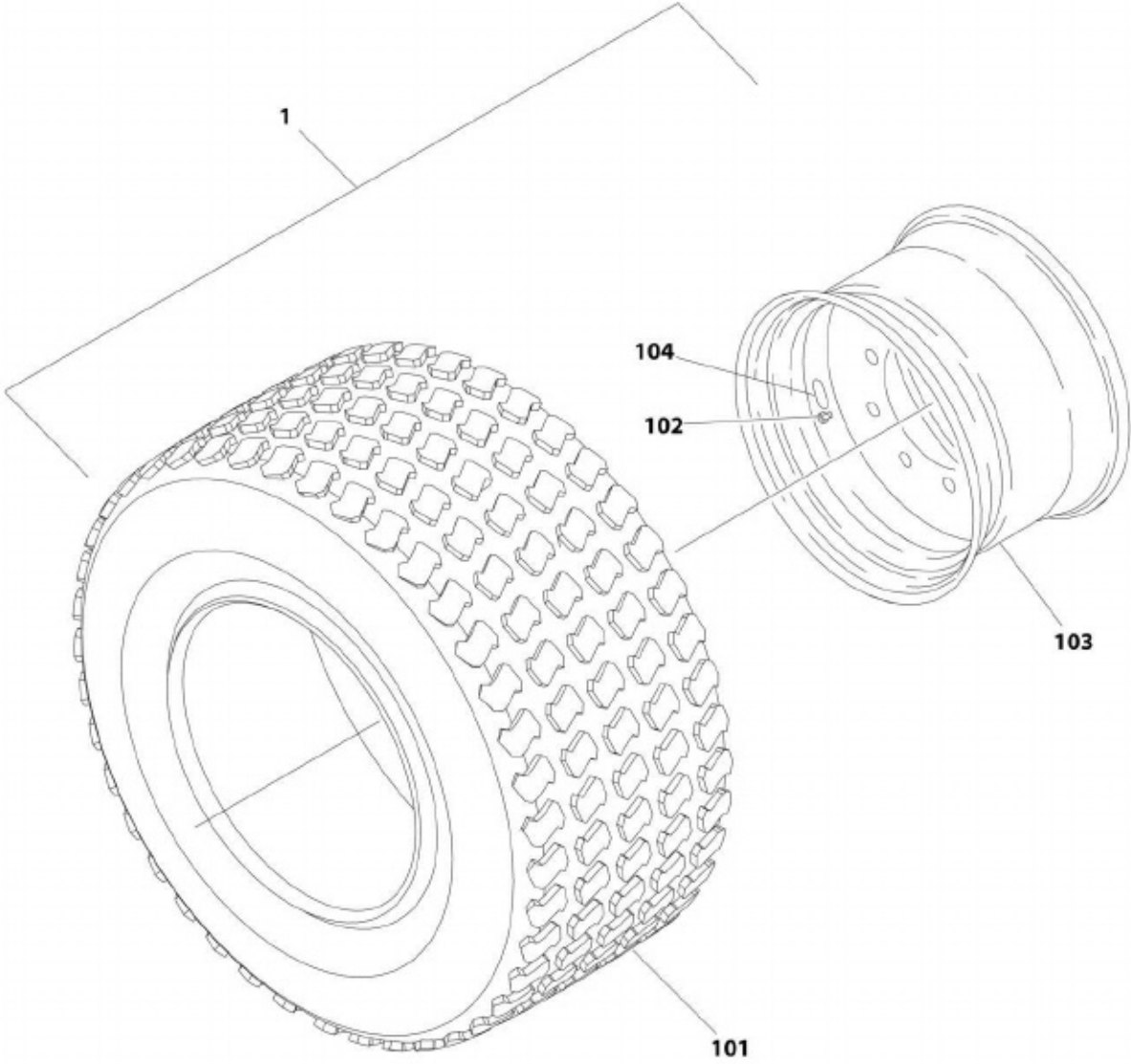
ART_1001169062

FIGURE 1-11. TIRE AND WHEEL INSTALLATION - 33 X 12-20 SOLID NON-MARKING (AVAILABLE ON AUSTRALIAN AND CE SPECS)

ITEM	PART NUMBER	QTY	DESCRIPTION	REV
	1001169062	Ref	TIRE AND WHEEL INSTALLATION - 33 X 12-20 SOLID NON-MARKING (AVAILABLE ON AUSTRALIAN AND CE SPECS)	A
		Ref	Note: Due to critical stable weights, only replace tire and wheel assemblies with like components.	
1	1001170098	2	Tire and Wheel Assembly - 33 x 12-20 Solid Non-Marking (LH Side)	
2	1001170099	2	Tire and Wheel Assembly - 33 x 12-20 Solid Non-Marking (RH Side)	

SECTION 1 - FRAME

FIGURE 1-12. TIRE AND WHEEL INSTALLATION - 33 X 16LL500 PNEUMATIC TURF AND SAND (AVAILABLE ON ANSI AND ANSI EXPORT SPECS)



ART_1001151030

SECTION 1 - FRAMI

**FIGURE 1-12. TIRE AND WHEEL INSTALLATION - 33 X 16LL500 PNEUMATIC TURF AND SAND
(AVAILABLE ON ANSI AND ANSI EXPORT SPECS)**

ITEM	PART NUMBER	QTY	DESCRIPTION	REV
	1001151030	Ref	TIRE AND WHEEL INSTALLATION - 33 X 16LL500 PNEUMATIC TURF AND SAND (AVAILABLE ON ANSI AND ANSI EXPORT SPECS)	B
1	1001151026	4	Tire and Wheel Assembly	
101	4520262	4	Tire 33 x 16LL500	
102	4640113	4	Valve, Stem	
103	4860237	4	Rim, Wheel	
104	1703067	4	Decal - Air Pressure	

SECTION 1 - FRAME

FIGURE 1-13. TIRE AND WHEEL INSTALLATION - 33/1550 X 16.5 PNEUMATIC (AVAILABLE ON ANSI, ANSI EXPORT AND CSA SPECS)



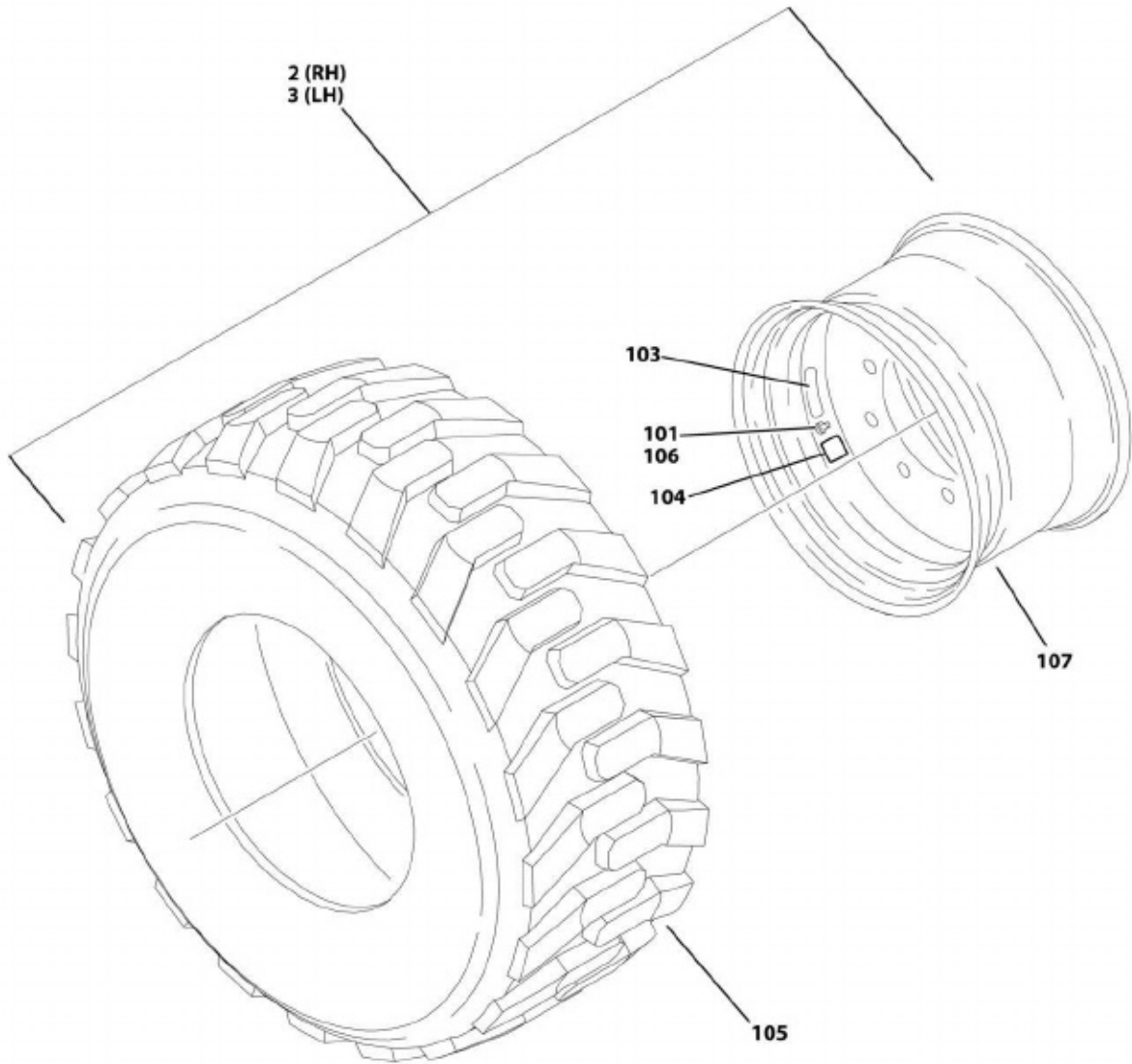
SECTION 1 - FRAMI

FIGURE 1-13. TIRE AND WHEEL INSTALLATION - 33/1550 X 16.5 PNEUMATIC (AVAILABLE ON ANSI, ANSI EXPORT AND CSA SPECS)

ITEM	PART NUMBER	QTY	DESCRIPTION	REV
	1001169073	Ref	TIRE AND WHEEL INSTALLATION - 33/1550 X 16.5 PNEUMATIC (AVAILABLE ON ANSI, ANSI EXPORT AND CSA SPECS)	A
1	0257755	2	Tire and Wheel Assembly (RH Side)	C
101	0257756	2	Tire and Wheel Assembly (LH Side)	C
102	4520217	4	Tire 33/1550 x 16.5	
103	4640113	4	Valve, Air	
104	4860179	4	Rim, Wheel	

SECTION 1 - FRAME

FIGURE 1-14. TIRE AND WHEEL INSTALLATION - 33/1550 X 16.5 PNEUMATIC WITH TIRE SEALANT
(AVAILABLE ON ANSI, ANSI EXPORT AND CSA SPECS)



ART_1001169074

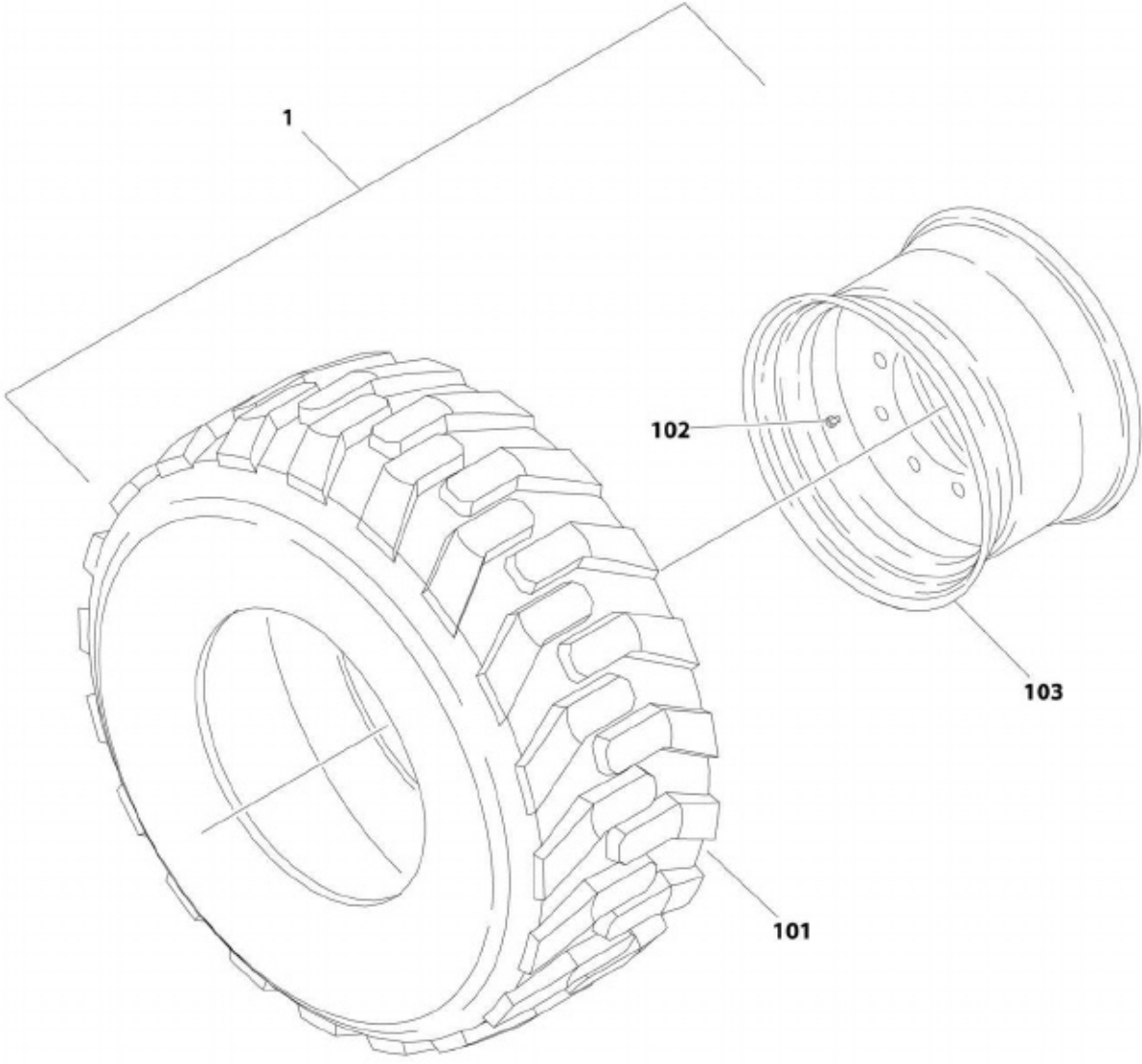
SECTION 1 - FRAMI

**FIGURE 1-14. TIRE AND WHEEL INSTALLATION - 33/1550 X 16.5 PNEUMATIC WITH TIRE SEALANT
(AVAILABLE ON ANSI, ANSI EXPORT AND CSA SPECS)**

ITEM	PART NUMBER	QTY	DESCRIPTION	REV
	1001169074	Ref	TIRE AND WHEEL INSTALLATION - 33/1550 X 16.5 PNEUMATIC WITH TIRE SEALANT (AVAILABLE ON ANSI, ANSI EXPORT AND CSA SPECS)	B
1	0272341	1	DECAL KIT - TIRE SEALANT (NOT SHOWN) (Prior to SN 0300211853, Prior to SN E300002974)	1/A
1	1705363	1	Decal - Tire Sealant (Not Shown - Located near Ground Controls)	
2	0272360	2	Tire and Wheel Assembly (RH Side)	A
3	0272361	2	Tire and Wheel Assembly (LH Side)	A
101	1120552	4	Cap, Valve Stem (Green)	
103	1702740	4	Decal - Tire Pressure	
104	1705364	4	Decal - Tire Sealant	
105	4520217	4	Tire 33/1550 x 16.5	
106	4640113	4	Valve, Air	
107	4860179	4	Rim, Wheel	

SECTION 1 - FRAME

FIGURE 1-15. TIRE AND WHEEL INSTALLATION - 33/1550 X 16.5 FOAM-FILLED (AVAILABLE ON ALL SPECS)



ART_1001169075

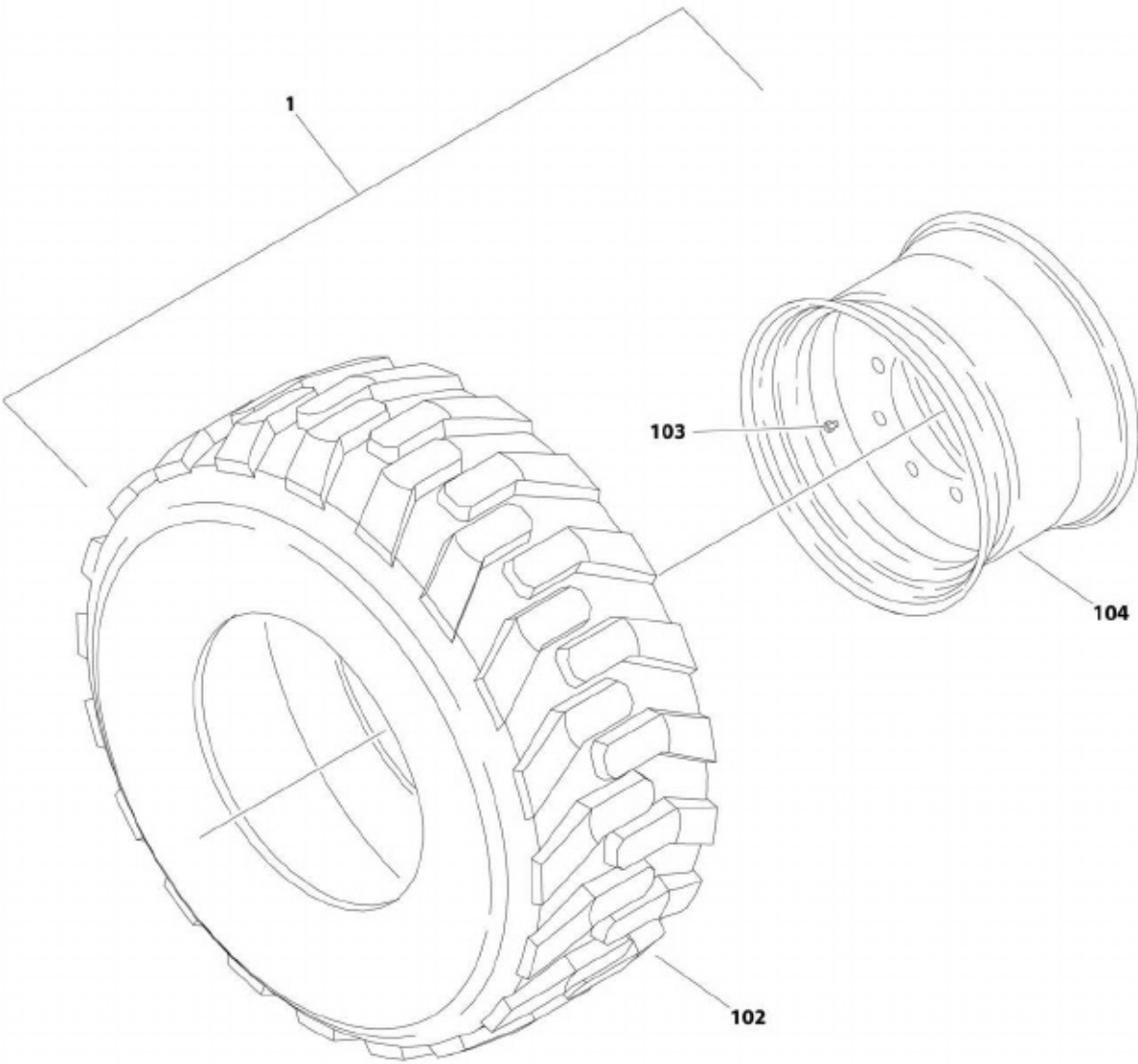
SECTION 1 - FRAMI

FIGURE 1-15. TIRE AND WHEEL INSTALLATION - 33/1550 X 16.5 FOAM-FILLED (AVAILABLE ON ALL SPECS)

ITEM	PART NUMBER	QTY	DESCRIPTION	REV
	1001169075	Ref	TIRE AND WHEEL INSTALLATION - 33/1550 X 16.5 FOAM-FILLED (AVAILABLE ON ALL SPECS)	A
		Ref	Note: Assemblies may require ballast/foam filling to manufacturer's specifications prior to installing on a machine. Refer to Operation and Safety or Service and Maintenance Manuals. Purchase individual tire and/or rim only if able to foam fill tire and wheel assembly, otherwise, purchase complete assembly.	
1	0258011	2	Tire and Wheel Assembly (RH Side)	F
1	0258012	2	Tire and Wheel Assembly (LH Side)	F
101	4520217	4	Tire, 33/1550 x 16.5	
102	8786514	4	Valve, Stem	
103	4860179	4	Rim, Wheel	

SECTION 1 - FRAME

FIGURE 1-16. TIRE AND WHEEL INSTALLATION - 315/55 D20 FOAM FILLED (AVAILABLE ON AUSTRALIAN AND CE SPECS)



ART_1001166157

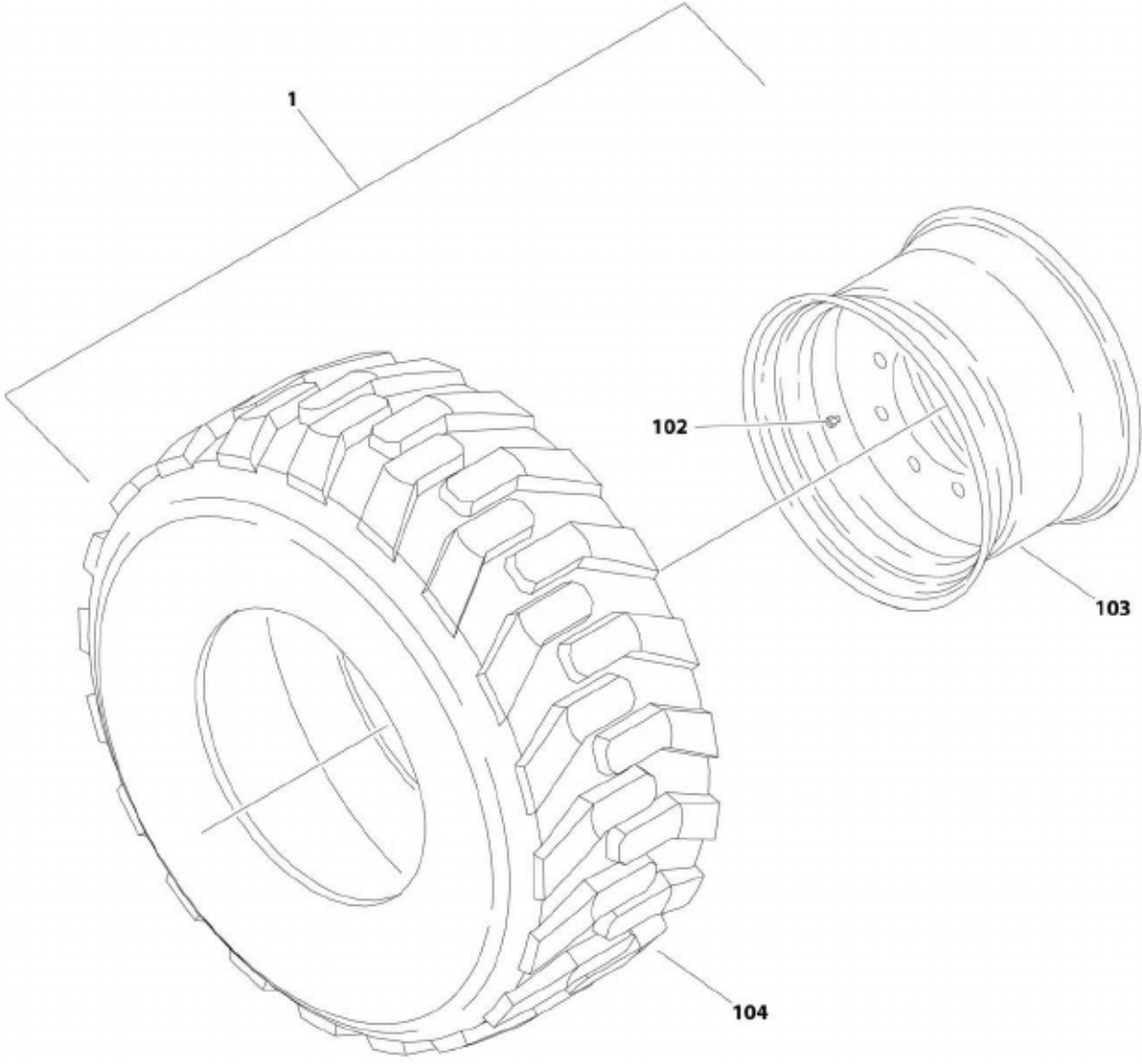
SECTION 1 - FRAMI

FIGURE 1-16. TIRE AND WHEEL INSTALLATION - 315/55 D20 FOAM FILLED (AVAILABLE ON AUSTRALIAN AND CE SPECS)

ITEM	PART NUMBER	QTY	DESCRIPTION	REV
	1001166157	Ref	TIRE AND WHEEL INSTALLATION - 315/55 D20 FOAM FILLED (AVAILABLE ON AUSTRALIAN AND CE SPECS)	A
		Ref	Note: Assemblies may require ballast/foam filling to manufacturer's specifications prior to installing on a machine. Refer to Operation and Safety or Service and Maintenance Manuals. Purchase individual tire and/or rim only if able to foam fill tire and wheel assembly, otherwise, purchase complete assembly.	
1	1001166155	2	Tire and Wheel Assembly (LH Side)	E
1	1001166156	2	Tire and Wheel Assembly (RH Side)	E
102	4520608	4	Tire IN315/55/D20	
103	4641122	4	Valve, Stem	
104	1001166153	4	Rim, Wheel	

SECTION 1 - FRAME

FIGURE 1-17. TIRE AND WHEEL INSTALLATION - 315/55 D20 FOAM FILLED NON-MARKING (AVAILABLE ON AUSTRALIAN AND CE SPECS)



ART_1001169058

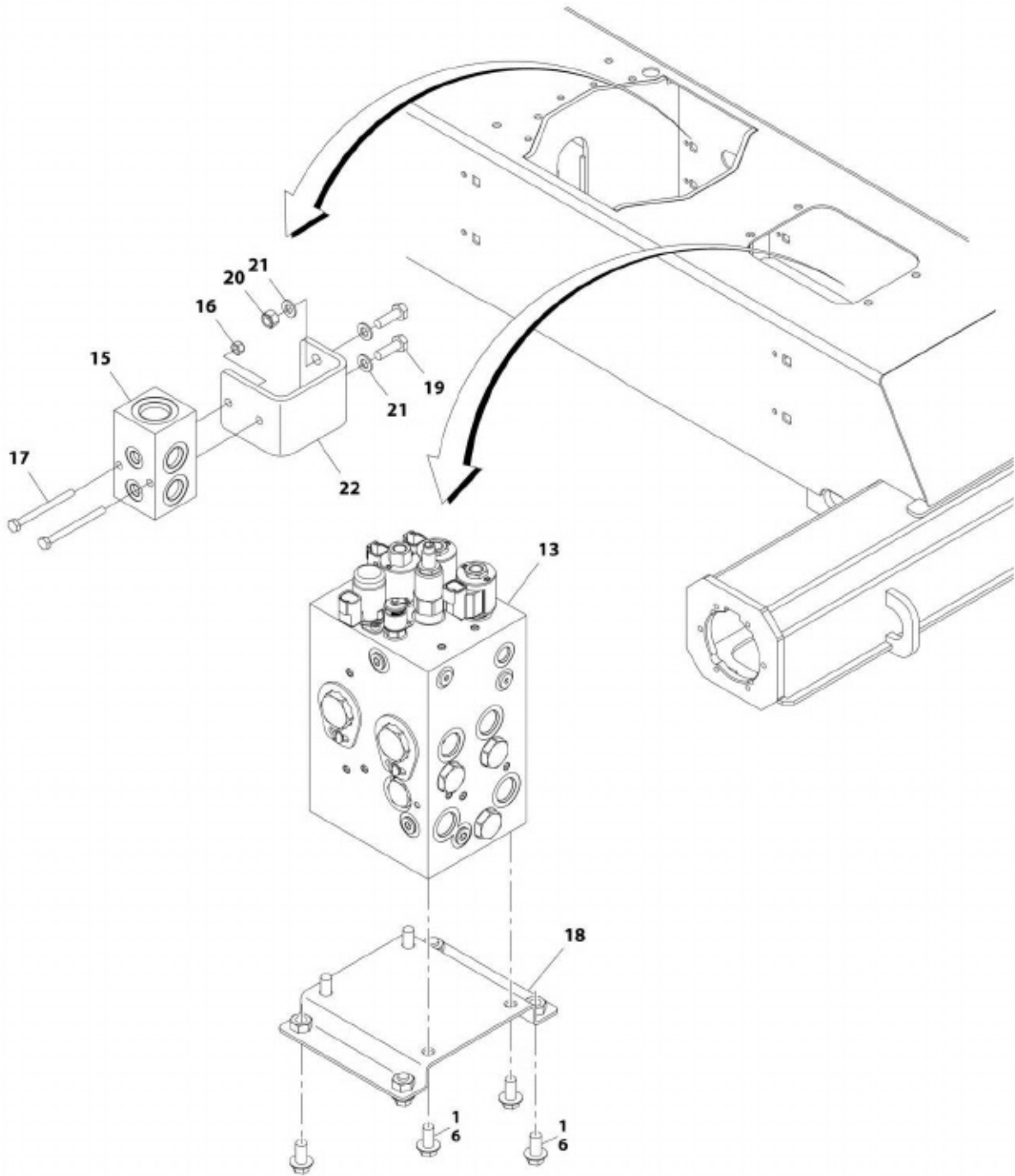
SECTION 1 - FRAMI

**FIGURE 1-17. TIRE AND WHEEL INSTALLATION - 315/55 D20 FOAM FILLED NON-MARKING
(AVAILABLE ON AUSTRALIAN AND CE SPECS)**

ITEM	PART NUMBER	QTY	DESCRIPTION	REV
	1001169058	Ref	TIRE AND WHEEL INSTALLATION - 315/55 D20 FOAM FILLED NON-MARKING (AVAILABLE ON AUSTRALIAN AND CE SPECS)	A
		Ref	Note: Assemblies may require ballast/foam filling to manufacturer's specifications prior to installing on a machine. Refer to Operation and Safety or Service and Maintenance Manuals. Purchase individual tire and/or rim only if able to foam fill tire and wheel assembly, otherwise, purchase complete assembly.	
1	1001170459	2	Tire and Wheel Assembly (RH Side)	C
1	1001170460	2	Tire and Wheel Assembly (LH Side)	C
102	4641122	4	Valve, Stem	
103	1001166153	4	Rim, Wheel	
104	1001170458	4	Tire 315/55 D20 Non Marking	

SECTION 1 - FRAME

FIGURE 1-18. VALVES INSTALLATION - FRAME MOUNTED



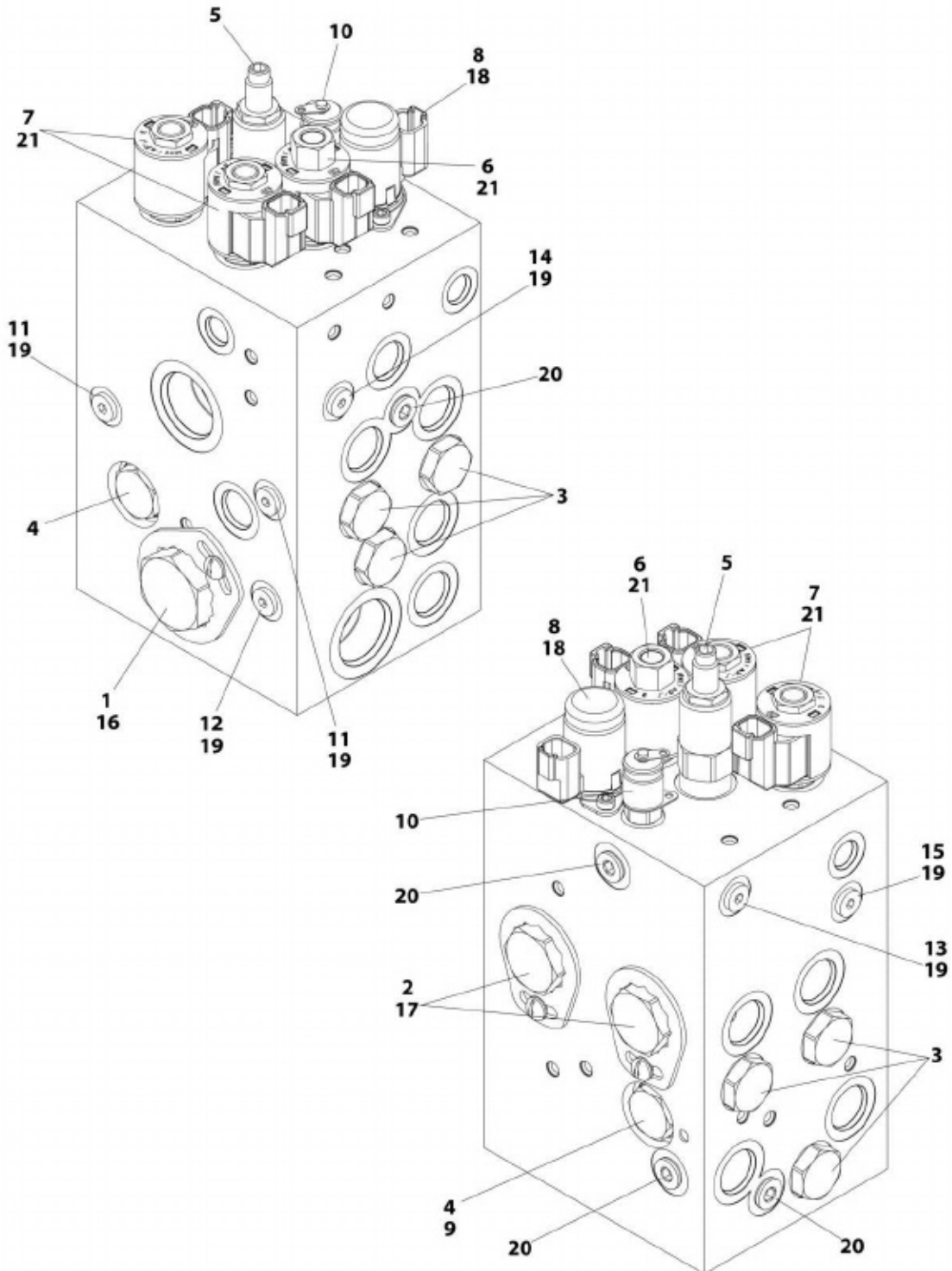
ART_1001165948_10F3

FIGURE 1-18. VALVES INSTALLATION - FRAME MOUNTED

ITEM	PART NUMBER	QTY	DESCRIPTION	REV
	1001165948	Ref	VALVES INSTALLATION - FRAME MOUNTED	F
1	0100011	AR	Compound, Locking	
6	5251010	4	Bolt M10 x 20	
13	1001162539	1	Traction Valve Assembly (See TRACTION VALVE ASSEMBLY for	
15	4641155	1	Breakdown) Junction Valve Assembly	
16	3290605	2	Nut, M6	
17	1001096653	2	Bolt M6 x 70	
18	1001179517	1	Bracket	
19	0760812	1	Bolt M8 x 25	
20	3290805	1	Nut M8	
21	4811900	1	Washer M8	
22	1001197221	1	Bracket (SN 0300202585 to Present)	
22	1001197221	1	Bracket (SN E300000001 to Present)	

SECTION 1 - FRAME

FIGURE 1-19. TRACTION VALVE ASSEMBLY



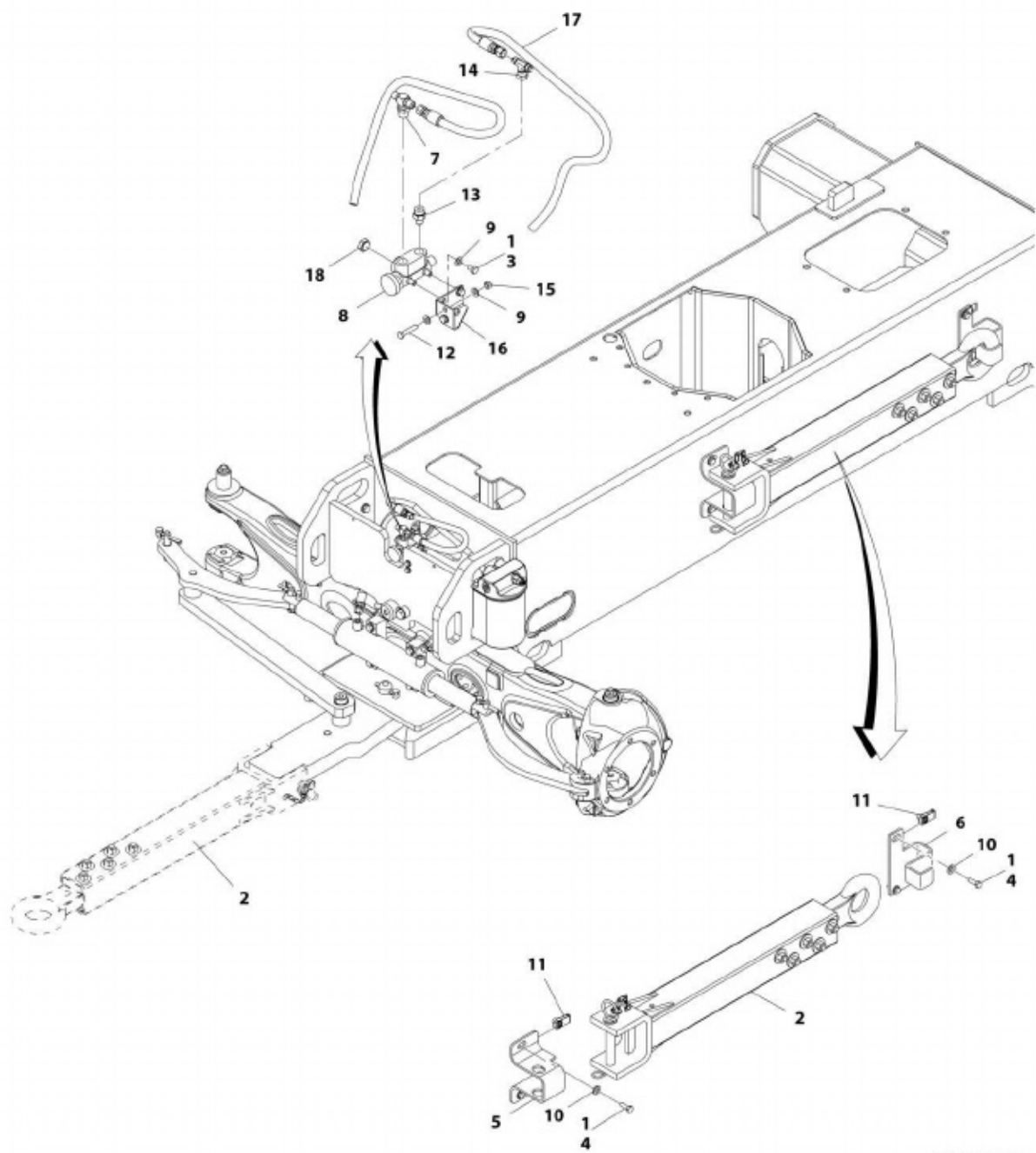
ART_1001162539

FIGURE 1-19. TRACTION VALVE ASSEMBLY

ITEM	PART NUMBER	QTY	DESCRIPTION	REV
	1001162539	Ref	TRACTION VALVE ASSEMBLY	C
1	70004017	1	Cartridge, Flow Divider	
1	7021625	1	Seal Kit - 70004017 Valve	
2	70004885	2	Cartridge, Flow Divider	
2	70004577	2	Seal Kit - 70004885 Valve	
3	7022397	6	Cartridge, Check Valve	
3	7022399	6	Seal Kit - 7022397 Valve	
4	7021639	2	Cartridge, Check Valve	
4	2900756	2	Seal Kit - 7021639 Valve	
5	70004886	1	Cartridge, Relief Valve	
5	7017496	1	Seal Kit - 70004886 Valve	
6	7017410	1	Cartridge, Solenoid Less Coil	
6	7012967	1	Seal Kit - 7017410 Valve	
7	7012974	2	Cartridge, Solenoid Less Coil	
7	7010543	2	Seal Kit - 7012974 Valve	
8	70004887	1	Cartridge, Solenoid Less Coil	
8	70023606	1	Seal Kit - 70004887 Valve	
8	7024885	1	Coil	
9	7024881	1	Piston, Pilot	
10	2221086	1	Fitting, Diagnostic	
11	70003975	2	Orifice	
12	70002209	1	Orifice	
13	70002063	1	Orifice	
14	70004884	1	Orifice	
15	70004883	1	Orifice	
16	70000781	1	Locking Kit	
17	70002962	2	Locking Kit	
18	70004888	2	Screw	
19	2220883	6	Plug #4	
20	2220885	5	Plug #6	
21	70002386	3	Coil	

SECTION 1 - FRAME

FIGURE 1-20. TOW PACKAGE INSTALLATION (OPTIONAL)



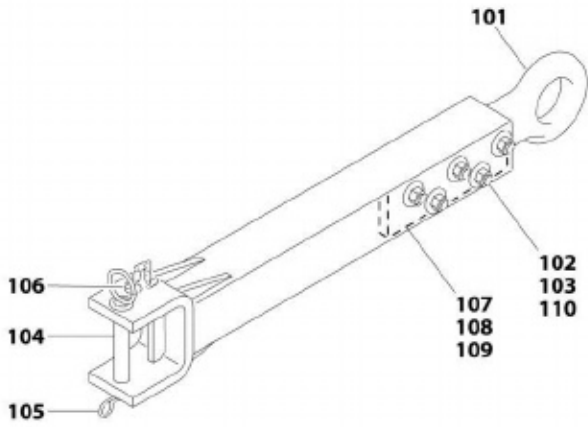
ART_1001166232

FIGURE 1-20. TOW PACKAGE INSTALLATION (OPTIONAL)

ITEM	PART NUMBER	QTY	DESCRIPTION	REV
	1001166232	Ref	TOW PACKAGE INSTALLATION (OPTIONAL)	D
1	0100011	AR	Compound, Locking	
2	0363019	1	Tow Bar Assembly (See TOW BAR ASSEMBLY for Breakdown)	
3	0641504	2	Bolt 5/16 x 1/2	
4	0701014	4	Bolt M10 x 30	
5	0902733	1	Bracket	
6	0902734	1	Bracket	
7	2221052	1	Fitting, Tee JIC/ORB/JIC	
8	4640261	1	Steer/Tow Select Valve Assembly	
9	4711500	6	Washer 5/16	
10	5241200	4	Washer M12	
11	1001118972	4	Nut M10	
12	0700816	2	Bolt M8 x 40	
13	2220372	1	Fitting, Straight JIC/ORB	
14	2220579	1	Fitting, Tee JIC/FSJIC/JIC	
15	3290805	2	Nut M8	
16	1001181527	1	Bracket	
17	1001181913	2	Hose	
18	2220238	1	Plug	

SECTION 1 - FRAME

FIGURE 1-21. TOW BAR ASSEMBLY



ART_0363019

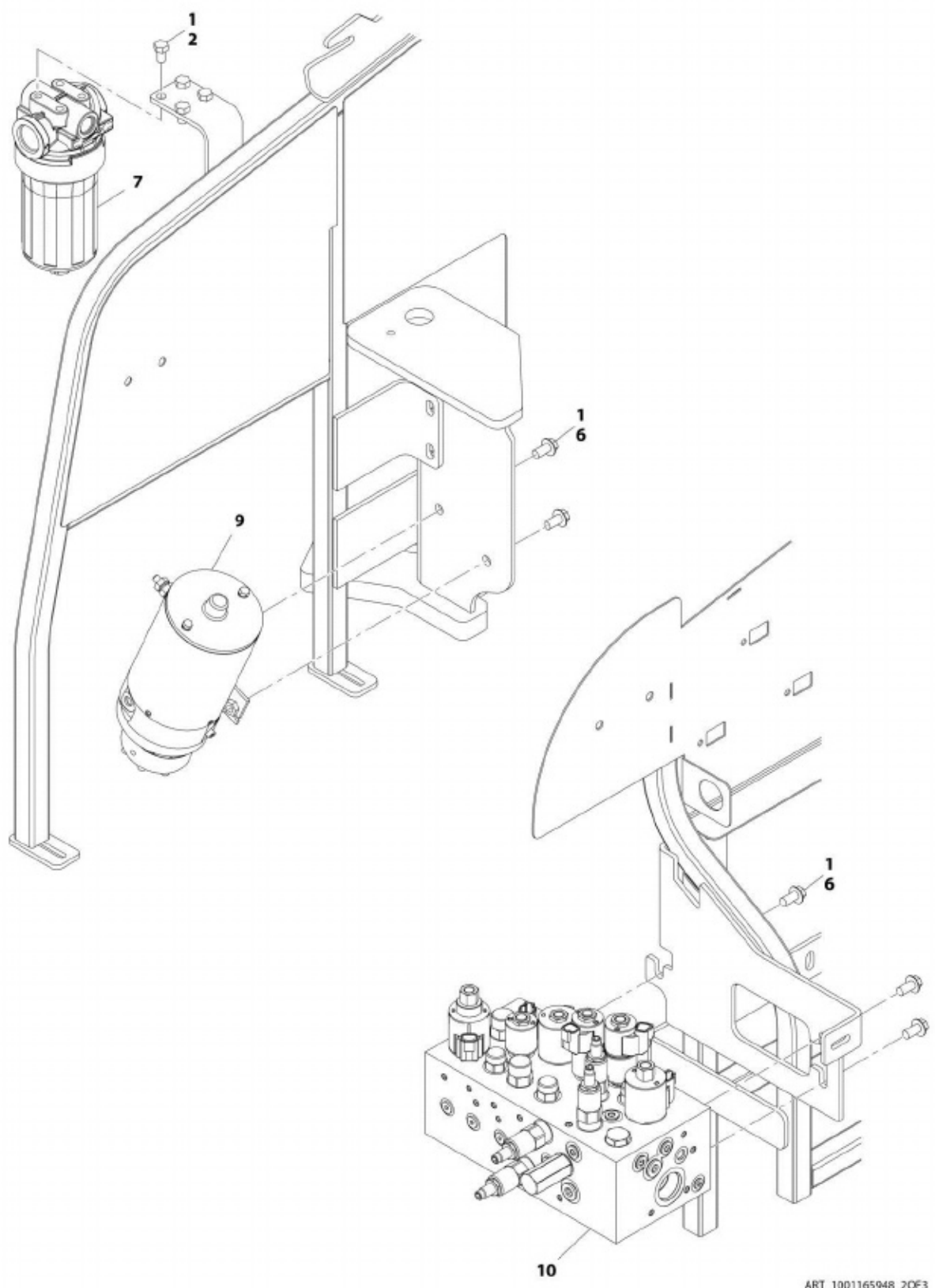
FIGURE 1-21. TOW BAR ASSEMBLY

ITEM	PART NUMBER	QTY	DESCRIPTION	REV
	0363019	Ref	TOW BAR ASSEMBLY	B
101	0360406	1	Pintle, Draw Eye	
102	0682040	5	Bolt 5/8 x 5	
103	3312005	5	Nut 5/8	
104	3420352	1	Pin, Towing	
105	3420372	1	Hairpin	
106	3760170	1	Ring, Split	
107	4070450	2	Shim (.07)	
108	4070560	2	Shim (.88)	
109	4070561	2	Shim (.12)	
110	4752000	10	Washer 5/8	

SECTION 2 - TURNTABLE

SECTION 2 - TURNTABLE

FIGURE 2-1. VALVES INSTALLATION - TURNTABLE MOUNTED



ART_1001165948_20F3

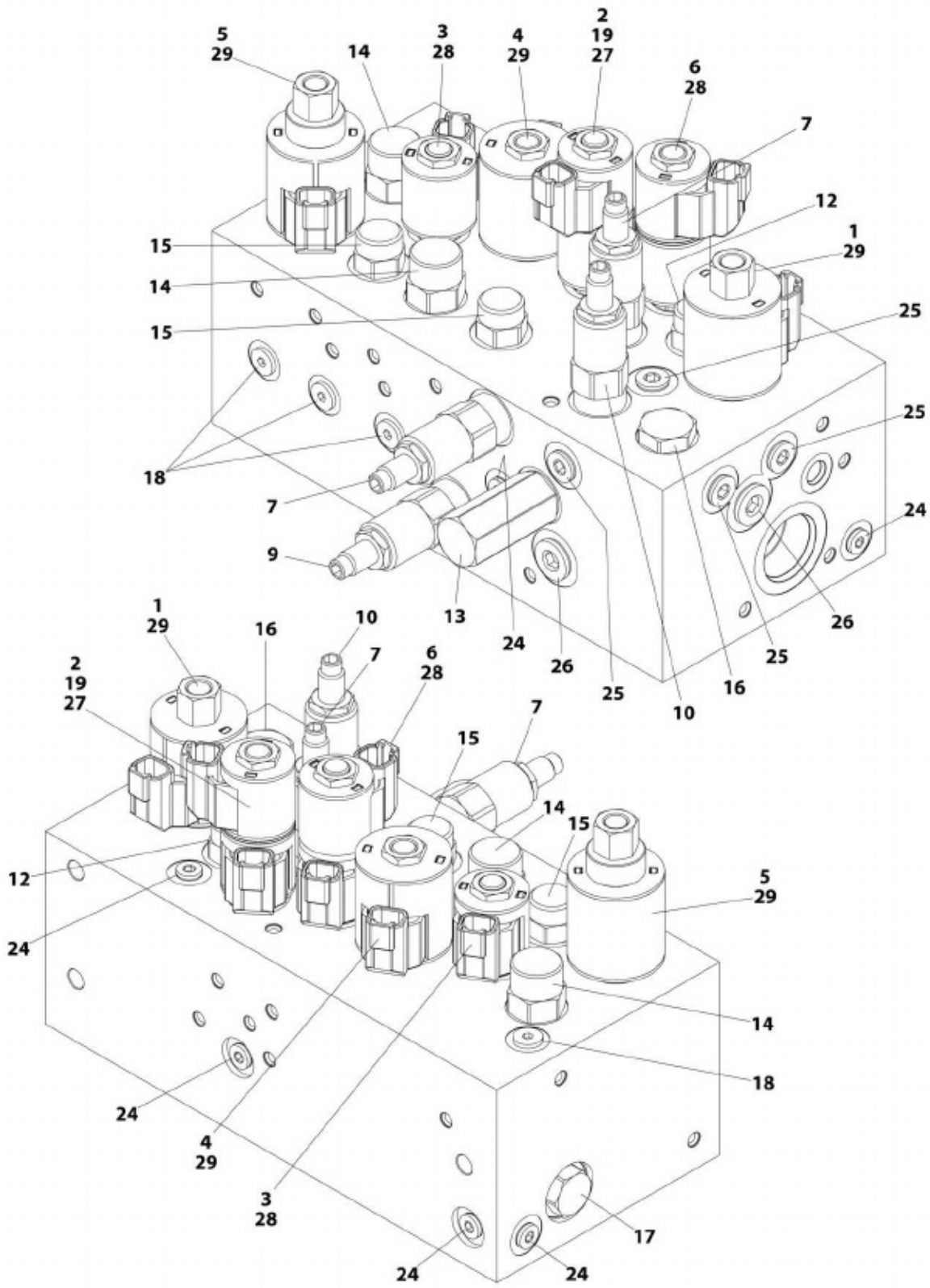
SECTION 2 - TURNTABLE

FIGURE 2-1. VALVES INSTALLATION - TURNTABLE MOUNTED

ITEM	PART NUMBER	QTY	DESCRIPTION	REV
	1001165948	Ref	VALVES INSTALLATION - TURNTABLE MOUNTED	F
1	0100011	AR	Compound, Locking	
2	0641605	4	Bolt 3/8 x 5/8	
6	5251010	15	Bolt M10 x 20	
7	1001102987	1	Filter, Charge Pump	
7	70010383	1	Element, Filter (Includes O-Ring)	
9	1001185821	1	Auxiliary Pump Assembly (See AUXILIARY PUMP ASSEMBLY for Breakdown)	
10	1001162534	1	Main Valve Assembly (See MAIN VALVE ASSEMBLY for Breakdown)	

SECTION 2 - TURNTABLE

FIGURE 2-2. MAIN VALVE ASSEMBLY



ART_1001162534

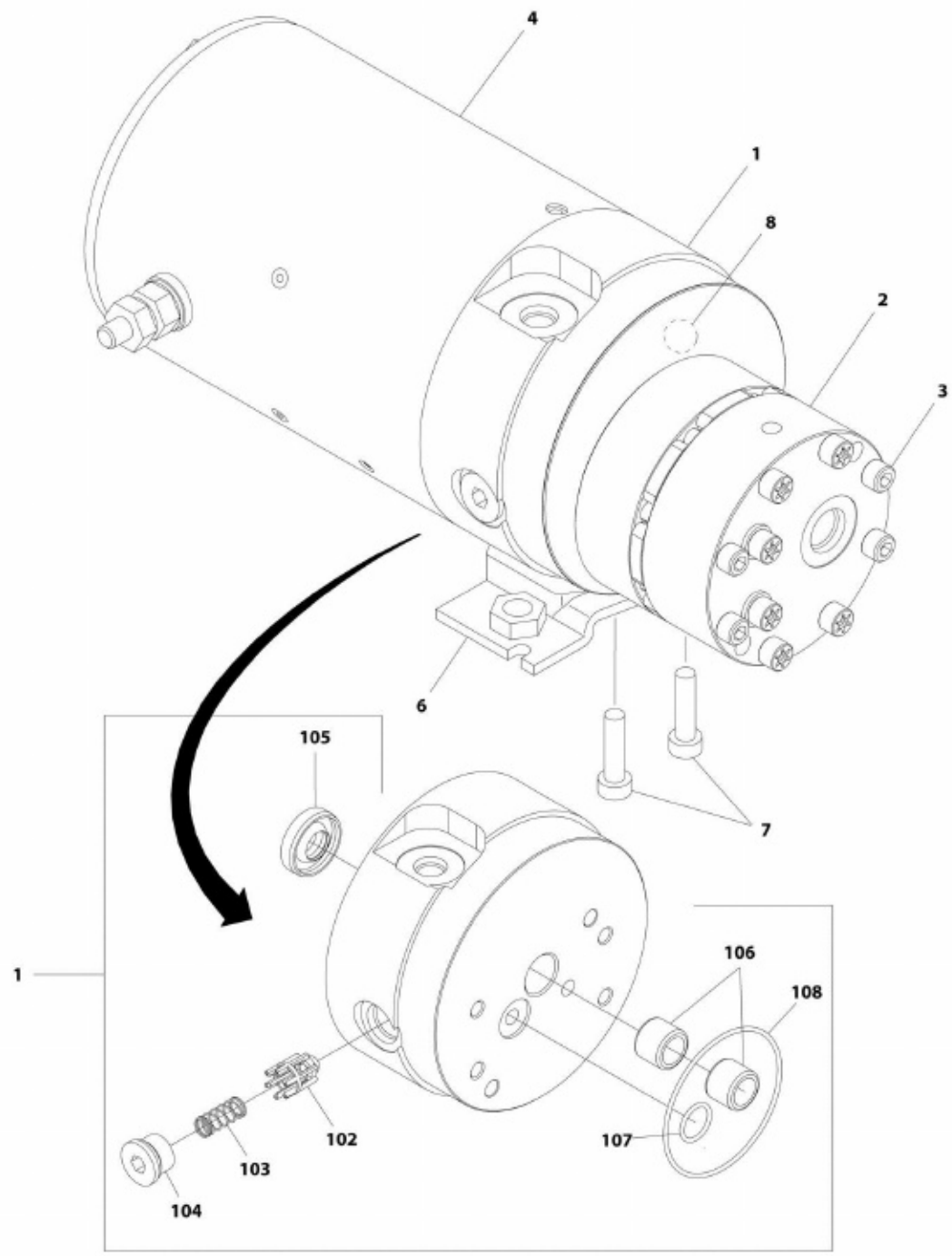
SECTION 2 - TURNTABLI

FIGURE 2-2. MAIN VALVE ASSEMBLY

ITEM	PART NUMBER	QTY	DESCRIPTION	REV
	1001162534	Ref	MAIN VALVE ASSEMBLY	E
1	70005069	1	Cartridge, Solenoid Less Coil (Main Dump)	
1	7022399	1	Seal Kit - 70005069 Valve	
1	70003977	1	Nut, Coil	
2	70005217	1	Cartridge, Solenoid Less Coil (Steer)	
2	70005071	1	Seal Kit - 70005217 Valve	
2	7022390	1	Nut, Coil	
3	70005094	1	Cartridge, Solenoid Less Coil (Main Lift Up)	
3	7023936	1	Seal Kit - 70005094 Valve	
3	7022390	1	Nut, Coil	
4	70005076	1	Cartridge, Solenoid Less Coil (Tower Lift Up)	
4	7022399	1	Seal Kit - 70005076 Valve	
4	7022390	1	Nut, Coil	
5	70005095	1	Cartridge, Solenoid Less Coil (Flow Control)	
5	7022399	1	Seal Kit - 70005095 Valve	
5	70003977	1	Nut, Coil	
6	70005096	1	Cartridge, Solenoid Less Coil (Swing)	
6	70005071	1	Seal Kit - 70005096 Valve	
7	70005097	1	Cartridge, Solenoid Less Coil	
7	70005082	2	Seal Kit - 70005097 Valve	
9	70005098	1	Cartridge, Relief Valve	
9	7023936	1	Seal Kit - 70005098 Valve	
10	70005080	1	Cartridge, Relief Valve	
10	7022399	1	Seal Kit - 70005080 Valve	
12	70005218	1	Cartridge, Valve	
12	70005082	1	Seal Kit - 70005218 Valve	
13	70005084	1	Cartridge, Valve	
13	70005085	1	Seal Kit - 70005084 Valve	
14	70005099	2	Cartridge, Valve	
14	70005087	2	Seal Kit - 70005099 Valve	
15	70005088	2	Cartridge, Valve	
15	7023900	2	Seal Kit - 70005088 Valve	
16	70005100	1	Cartridge, Check Valve	
16	7022399	1	Seal Kit - 70005100 Valve	
17	70005089	1	Cartridge, Check Valve	
17	7023936	1	Seal Kit - 70005089 Valve	
18	70005090	5	Cartridge, Check Valve	
18	70005092	5	Seal Kit - 70005092 Valve	
19	See Note	1	Disc, Check Valve (Note: Not Available for Purchase)	
24	91164059	7	Plug	
25	91164079	4	Plug	
26	91164057	2	Plug	
27	70005219	2	Coil	
28	70002386	3	Coil	
29	70003788	3	Coil	

SECTION 2 - TURNTABLE

FIGURE 2-3. AUXILIARY PUMP ASSEMBLY




ART_1001185621

FIGURE 2-3. AUXILIARY PUMP ASSEMBLY

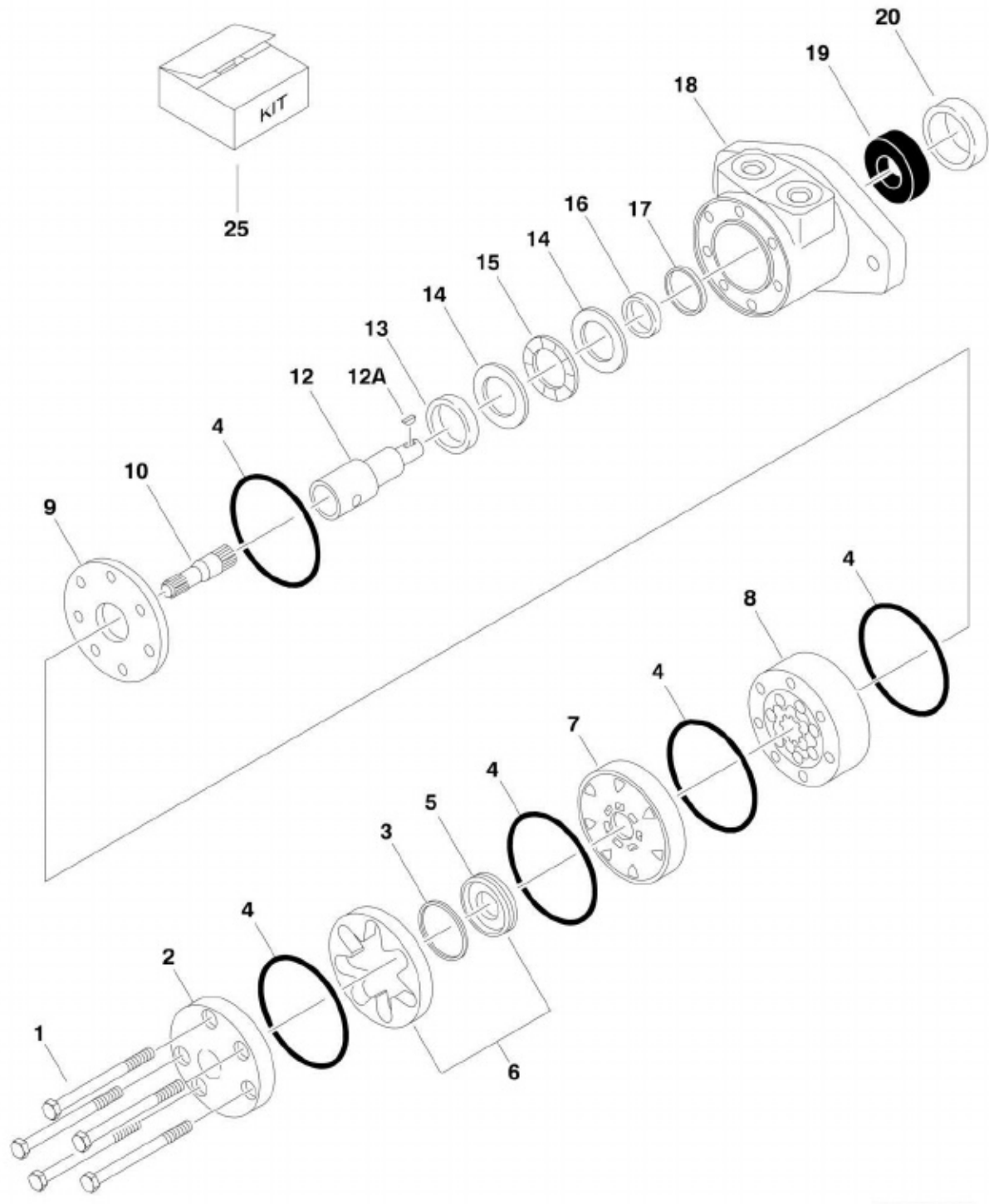
ITEM	PART NUMBER	QTY	DESCRIPTION	REV
	1001185821	Ref	AUXILIARY PUMP ASSEMBLY	A
1	70005065	1	Base Assembly (See Item 102-108 for Breakdown)	
2	70005066	1	Pump Assembly (Note: No Seal Kit or Internal Components are Available - Purchase Complete Pump Assembly)	
3	70005067	4	Capscrew 1/4 x 2-3/4	
4	70004013	1	Motor Assembly (Note: No Internal Components are Available - Purchase Complete Motor Assembly)	
6	70004014	1	Bracket	
7	70004000	2	Capscrew 3/8 x 1	
8	70005068	1	Relief Valve Assembly	
	70005065	Ref	BASE ASSEMBLY	
102	See Note	NSS	Poppet, Check (Note: Not Available - Purchase p/n 70005065)	
103	See Note	NSS	Spring (Note: Not Available - Purchase p/n 70005065)	
104	See Note	NSS	Plug (Note: Not Available - Purchase p/n 70005065)	
105	7026330	1	Seal, Shaft	
106	70005139	2	Bearing	
107	70003612	1	O-Ring	
108	70004267	1	O-Ring	

FIGURE 2-4. SWING DRIVE AND TURNTABLE BEARING INSTALLATION

 ITEM	PART NUMBER	QTY	DESCRIPTION	REV
	1001165946	Ref	SWING DRIVE AND TURNTABLE BEARING INSTALLATION	B
1	0100019	AR	Compound, Locking	
2	0711628	18	Bolt M16 x 110 Grade 10.9	
3	0711631	23	Bolt M16 x 140	
4	2160001	2	Fitting, Grease 90	
5	5241200	2	Washer M12	
6	5241600	41	Washer M16	
7	5272114	2	Capscrew M12 x 50 Grade 12.9	
8	1001104850	1	Swing Motor Assembly (See SWING MOTOR ASSEMBLY for breakdown)	
9	1001133972	1	Turntable Bearing Assembly (See TURNTABLE BEARING ASSEMBLY for Breakdown)	
100	1001206436	1	Turntable Bearing Kit (Includes Items 2-7 & 9)	

SECTION 2 - TURNTABLE

FIGURE 2-5. SWING MOTOR ASSEMBLY



ART_1001104850

SECTION 2 - TURNTABLI

FIGURE 2-5. SWING MOTOR ASSEMBLY

ITEM	PART NUMBER	QTY	DESCRIPTION	REV
	1001104850	Ref	SWING MOTOR ASSEMBLY	A
1	See Note	5	Bolt (Note: Not Available for Purchase)	
2	7004035	1	Cover, End	
3	7023318	1	Seal, Commutator	
4	7004036	5	O-Ring	
5	See Note	NSS	Commutator (Note: - Use Item 6)	
6	7024453	1	Commutator and Ring Assembly (Includes Item 5)	
7	7024379	1	Manifold	
8	70002206	1	Rotor Set	
9	7024380	1	Plate, Wear	
10	70002207	1	Link, Drive	
12	70000088	1	Shaft, Coupling	
12A	70000089	1	Key	
13	7024381	1	Bushing, Inner	
14	7004043	1	Thrustwasher	
15	7004044	1	Bearing, Thrust	
16	7004049	1	Seal, Inner Shaft	
17	7004045	1	Ring, Back-up	
18	See Note	NSS	Housing (Note: Not Available - Purchase Complete Motor)	
19	7024390	1	Bearing	
20	7004047	1	Seal, Outer Shaft	
25	7024389	1	Seal Kit (Includes Items 3, 4, 16, 17 & 20)	

SECTION 2 - TURNTABLE

FIGURE 2-6. TURNTABLE BEARING ASSEMBLY



SECTION 2 - TURNTABLE

FIGURE 2-6. TURNTABLE BEARING ASSEMBLY

ITEM	PART NUMBER	QTY	DESCRIPTION	REV
	1001133972	Ref	TURNTABLE BEARING ASSEMBLY	D
101A	7026042	2	Cup, Bearing	
101B	7026043	2	Cone, Bearing	
102	7027356	1	Adapter, Motor	
103	7027354	1	Cap, Worm	
104	70004249	8	Bolt M10 x 35 Grade 10.9	
105	70004250	2	Bolt M12 x 30 Grade 10.9	
106	70004251	2	Bolt M12 x 40 Grade 10.9	
107	70004252	2	Bolt M8 x 65mm	
109	70000865	1	Plug	
110	70002649	1	Vent, Pressure	
111	70002651	1	Fitting, Grease	
112	7026044	1	Bushing, Reducer	
113A	7026045	1	Cup, Bearing	
113B	7026047	1	Cone, Bearing	
114	7026046	1	Ring, Grease	
115A	7026048	1	Cup, Bearing	
115B	7026049	1	Cone, Bearing	
116	7026050	1	Worm-Gear	
117	7026052	1	Spacer, Washer	
118	See Note	1	Housing (Note: Not Available - Purchase Complete Assembly)	
119	7026053	1	Cover, Gear	
120	7027350	AR	Shim, Blue (.005in)	
120	7027351	AR	Shim, Clear (.0075in)	
120	7027352	AR	Shim, Brown (.010in)	
121	7027353		Shim, Yellow (.020in)	
122	70004253	1	Bearing, Turntable	
123	70004254	1	O-Ring	
124	70004255	1	Cap, Gear	
125	70004256	8	Bolt M4 x 8	
126	70004257	AR	Shim, Green (.003)	
127	70004258	AR	Shim, Blue (.005)	
128	70004259	AR	Shim, Natural (.0075)	
129	7026057	1	Gear, Worm	
130	70004260	AR	Shim, Blue (.005)	
131	70004261	AR	Shim, Yellow (.020)	
132	70004262	1	Seal, Oil	
133	7026051	1	Pinion, Output	
134	70004263	1	Seal, Oil	

SECTION 2 - TURNTABLE

FIGURE 2-7. TURNTABLE LOCK INSTALLATION

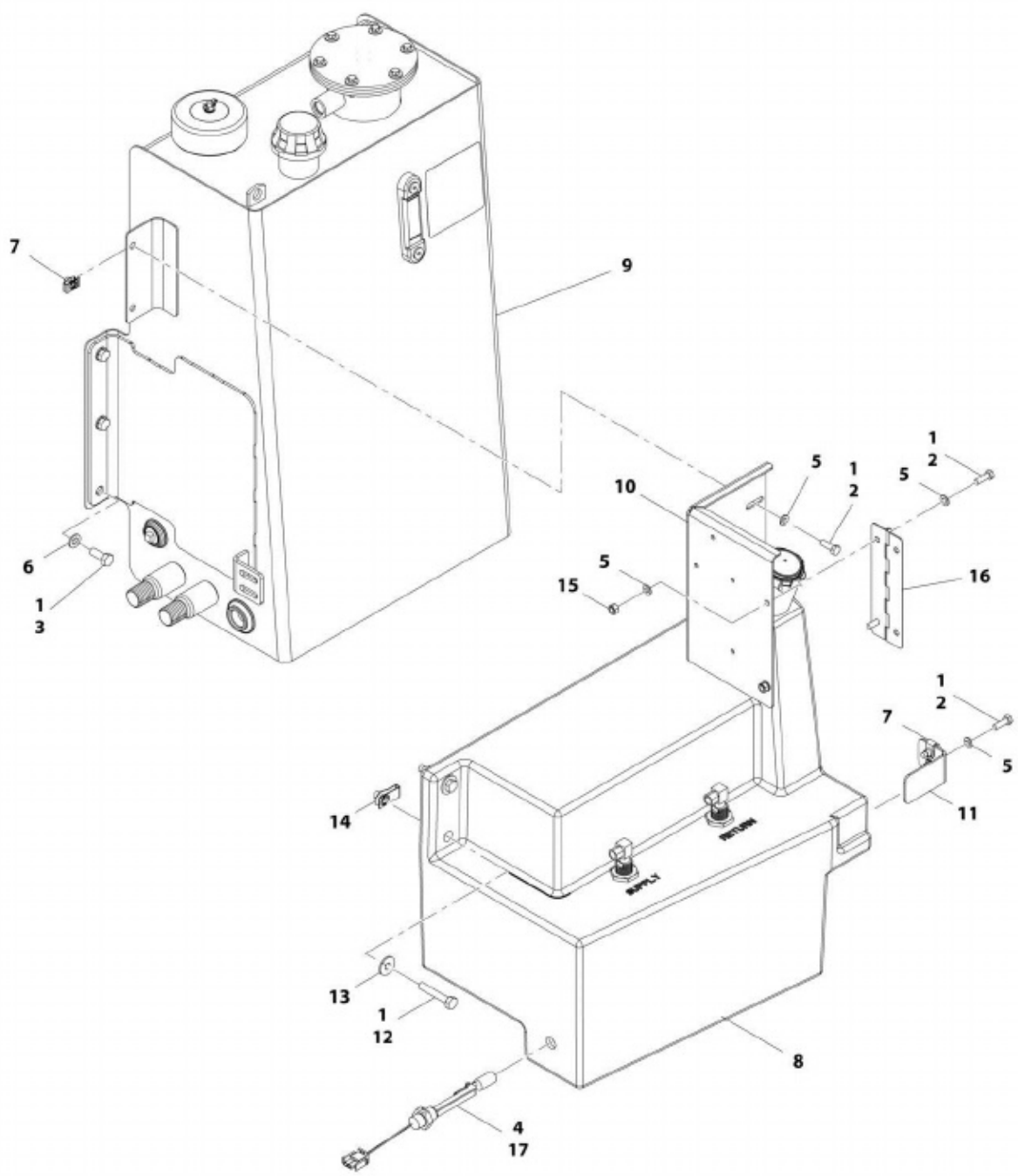


FIGURE 2-7. TURNTABLE LOCK INSTALLATION

ITEM	PART NUMBER	QTY	DESCRIPTION	REV
	1001177820	Ref	TURNTABLE LOCK INSTALLATION	A
1	0100011	AR	Compound, Locking	
2	0701616	4	Bolt M16 x 40	
3	4812300	4	Washer M16	
4	1001157466	1	Bolt M10 x 30	
5	1001177821	1	Support, Lock	
6	1001177834	1	Pin, Lock	

SECTION 2 - TURNTABLE

FIGURE 2-8. TANKS INSTALLATION - DIESEL MACHINES



ART_1001165942

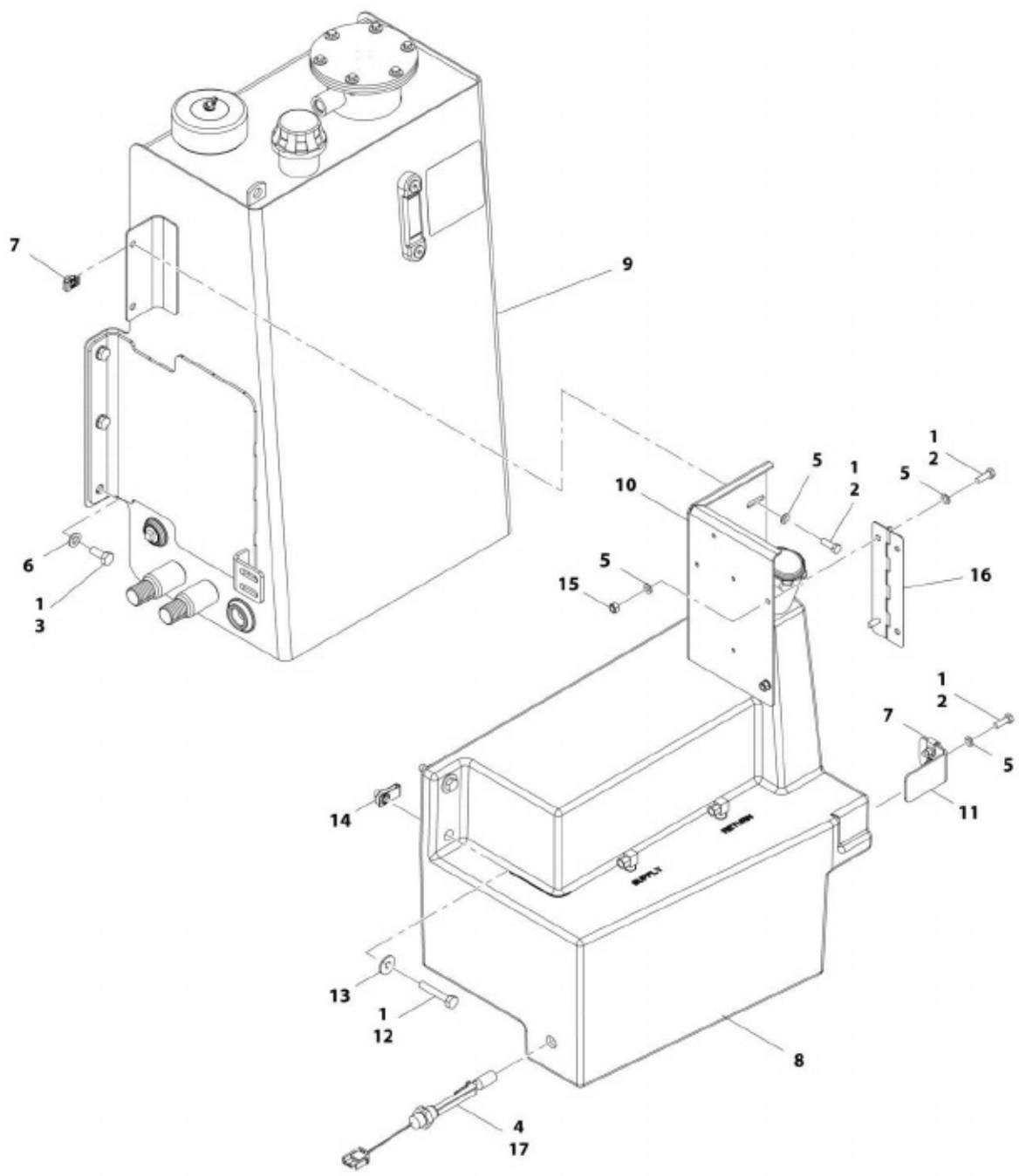
SECTION 2 - TURNTABLI

FIGURE 2-8. TANKS INSTALLATION - DIESEL MACHINES

ITEM	PART NUMBER	QTY	DESCRIPTION	REV
	1001165942	Ref	TANKS INSTALLATION - DIESEL MACHINES	F
1	0100011	AR	Compound, Locking	
2	0760812	6	Bolt M8 x 25	
3	0761214	6	Bolt M12 x 30	
4	4360436	1	Switch, Fuel Level	
4	4460320	1	Plug, Male - 2 Position	
4	4460267	1	Pin, Male	
5	4811900	8	Washer M8	
6	4812102	6	Washer M12	
7	1001118274	4	Nut M8	
8	1001163061	1	Fuel Tank Assembly	
8	1001188196	1	Cap, Fuel	
8	70004876	2	Tube, Pick-up	
8	0100020	AR	Compound, Locking	
9	1001165816	1	Hydraulic Tank Assembly	
9	70003614	1	Filter Kit (Includes Hydraulic Element, Breather Element and Gasket)	
9	70002838	1	Fill Cap Assembly (Includes Cap, Chain and Fill Basket)	
9	7024441	1	Gauge, Sight	
10	1001169898	1	Support, Ground Control	
11	1001170480	1	Support, Tank	
12	0701020	2	Bolt M10 x 60	
13	4812002	2	Washer M10	
14	1001118972	2	Nut M10	
15	3290805	2	Nut M8	
16	1001179339	1	Hinge	
17	1001182997	AR	Adhesive	

SECTION 2 - TURNTABLE

FIGURE 2-9. TANKS INSTALLATION - GAS MACHINES



ART_1001165943

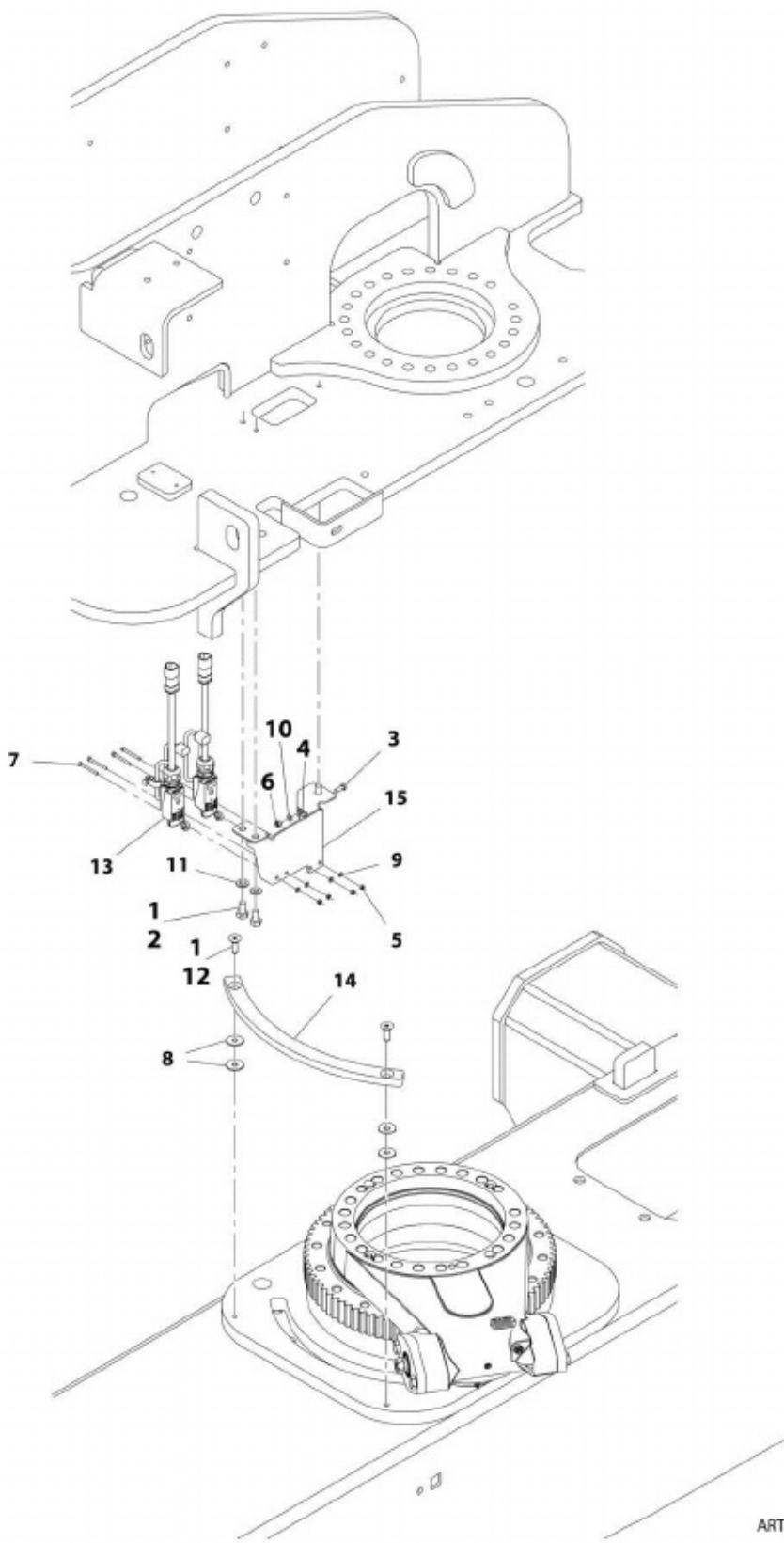
SECTION 2 - TURNTABLI

FIGURE 2-9. TANKS INSTALLATION - GAS MACHINES

ITEM	PART NUMBER	QTY	DESCRIPTION	REV
	1001165943	Ref	TANKS INSTALLATION - GAS MACHINES	G
1	0100011	AR	Compound, Locking	
2	0760812	6	Bolt M8 x 25	
3	0761214	6	Bolt M12 x 30	
4	4360436	1	Switch, Fuel Level	
4	4460320	1	Plug, Male - 2 Position	
4	4460267	1	Pin, Male	
5	4811900	8	Washer M8	
6	4812102	6	Washer M12	
7	1001118274	4	Nut M8	
8	1001163062	1	Fuel Tank Assembly	
8	1001188197	1	Cap, Tank (Prior to SN SN0300216296, Prior to SN SN E300003163)	
8	1001211336	1	Cap, Tank (SN SN 0300216296 to Present, SN SN E300003163 to Present)	
8	70004877	2	Tube, Pick-up	
8	0100020	AR	Compound, Locking	
9	1001165816	1	Hydraulic Tank Assembly	
9	70003614	1	Filter Kit (Includes Hydraulic Element, Breather Element and Gasket)	
9	70002838	1	Fill Cap Assembly (Includes Cap, Chain and Fill Basket)	
9	7024441	1	Gauge, Sight	
10	1001169898	1	Support, Ground Control	
11	1001170480	1	Support, Tank	
12	0701020	2	Bolt M10 x 60	
13	4812002	2	Washer M10	
14	1001118972	2	Nut M10	
15	3290805	2	Nut M8	
16	1001179339	1	Hinge	
17	1001182997	AR	Adhesive	

SECTION 2 - TURNTABLE

FIGURE 2-10. DRIVE ORIENTATION INSTALLATION



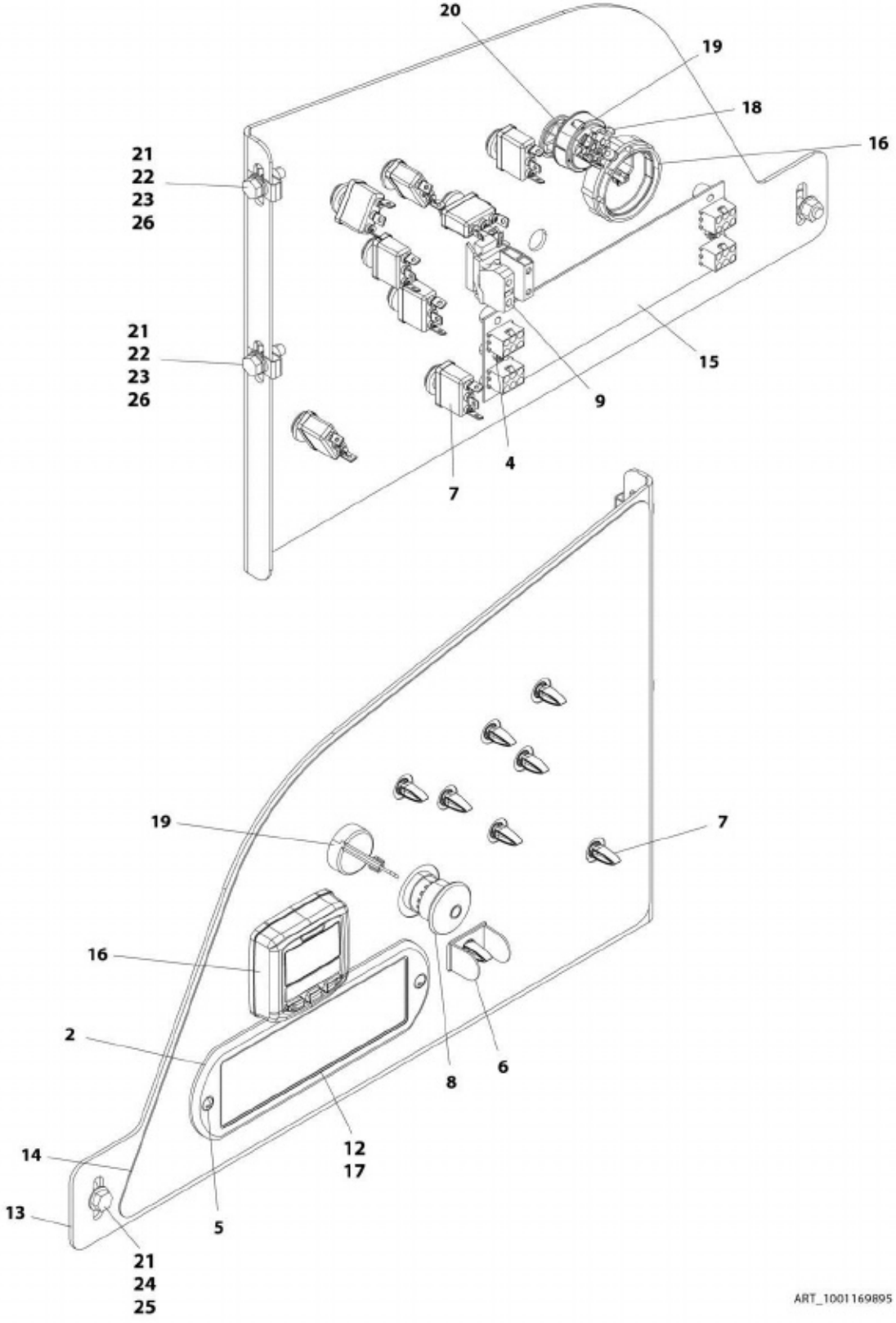
ART_1001166767

FIGURE 2-10. DRIVE ORIENTATION INSTALLATION

ITEM	PART NUMBER	QTY	DESCRIPTION	REV
	1001166767	Ref	DRIVE ORIENTATION INSTALLATION	F
1	0100011	AR	Compound, Locking	
2	0761010	3	Bolt M10 x 20	
3	0760608	2	Bolt M6 x 16	
4	1321293	2	Clamp, Cable	
5	3290405	4	Nut M4	
6	3290605	2	Nut M6	
7	4031512	4	Capscrew M4 x 40	
8	4812002	4	Washer M10	
9	4811400	4	Washer M4	
10	4811700	2	Washer M6	
11	4812000	3	Washer M10	
12	8310614	2	Screw M10 x 30	
13	1001119176	2	Switch, Limit	
13	1001129407	1	Receptacle, Female - 4 Position	
13	4460464	4	Pin, Male	
14	1001162106	1	Cam	
15	1001166768	1	Bracket	
16	8881800	AR	Tie-Strap (Not Shown)	

SECTION 2 - TURNTABLE

FIGURE 2-11. GROUND CONTROL ASSEMBLY - ALL SPECS EXCEPT CE SPEC



ART_1001169805

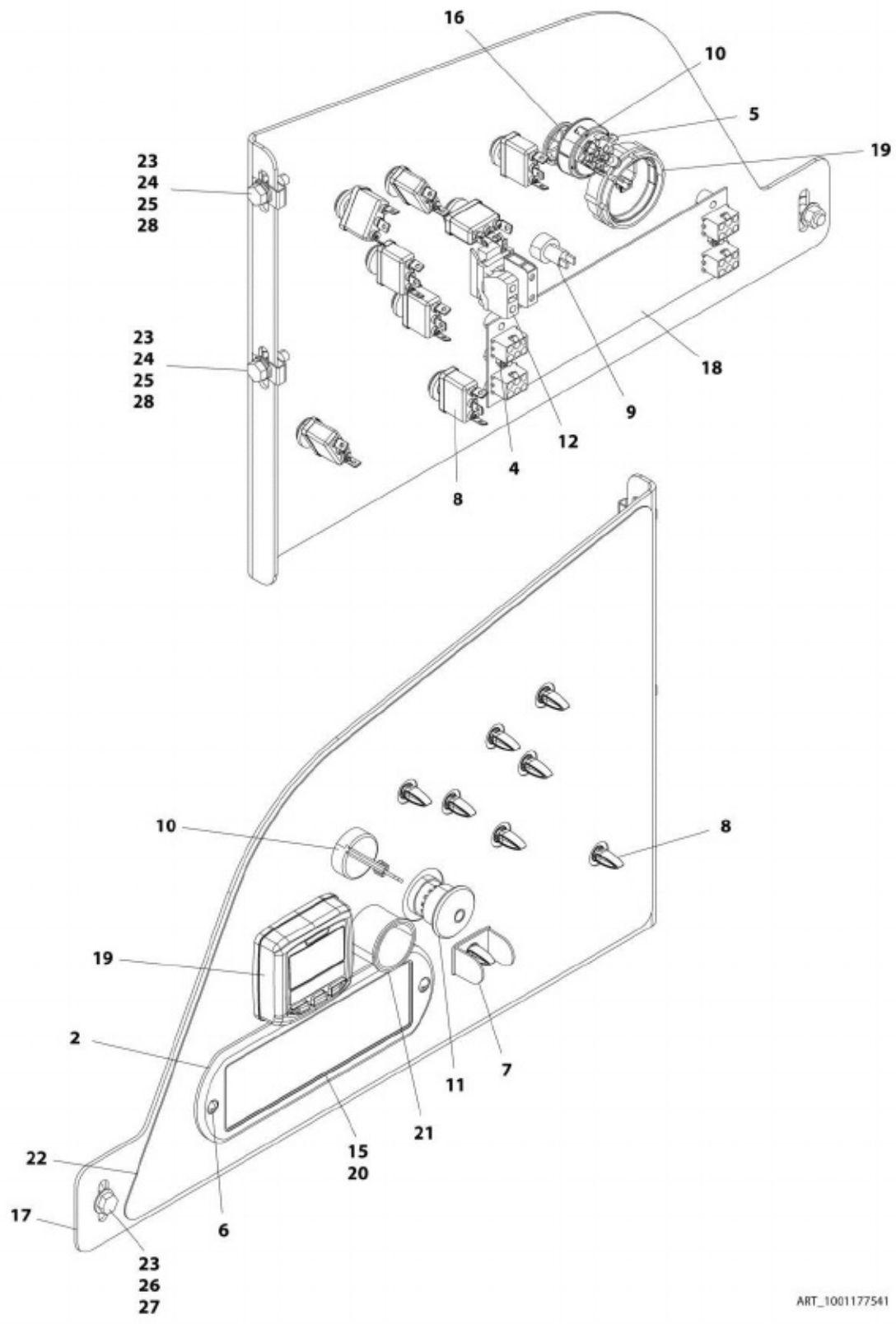
SECTION 2 - TURNTABLI

FIGURE 2-11. GROUND CONTROL ASSEMBLY - ALL SPECS EXCEPT CE SPEC

ITEM	PART NUMBER	QTY	DESCRIPTION	REV
	1001169895	Ref	GROUND CONTROL ASSEMBLY - ALL SPECS EXCEPT CE SPEC	D
2	1670829	1	Bezel, Front	
4	3300408	2	Nut	
5	3911018	2	Screw #10 x 1-1/8	
6	4060906	1	Guard, Switch	
7	4360328	8	Switch, Toggle	
8	4360475	1	Switch, Emergency	
8	7020175	1	Cap	
8	7020176	1	Block, Contact	
9	4360476	1	Block, Contact	
12	1001146220	1	Display, Light	
13	1001169896	1	Panel, Ground Control	
14	1001169897	1	Decal - Ground Control	
15	1001170838	1	PC Board, LED Light	
16	1001171482	1	Gauge, Display	
17	1001173529	1	Decal - Light Display	
18	3910804	3	Screw M8 x 1/4	
19	4360469	1	Switch, Key	
19	2860030	1	Key, Replacement	
20	1001151393	1	Shim .063	
21	0100011	AR	Compound, Locking	
22	0760812	2	Bolt M8 x 25	
23	4811900	2	Washer M8	
24	5250810	1	Bolt M8 x 20	
25	5260800	1	Nut M8	
26	1001118274	2	Nut M8	

SECTION 2 - TURNTABLE

FIGURE 2-12. GROUND CONTROL ASSEMBLY - CE SPEC ONLY



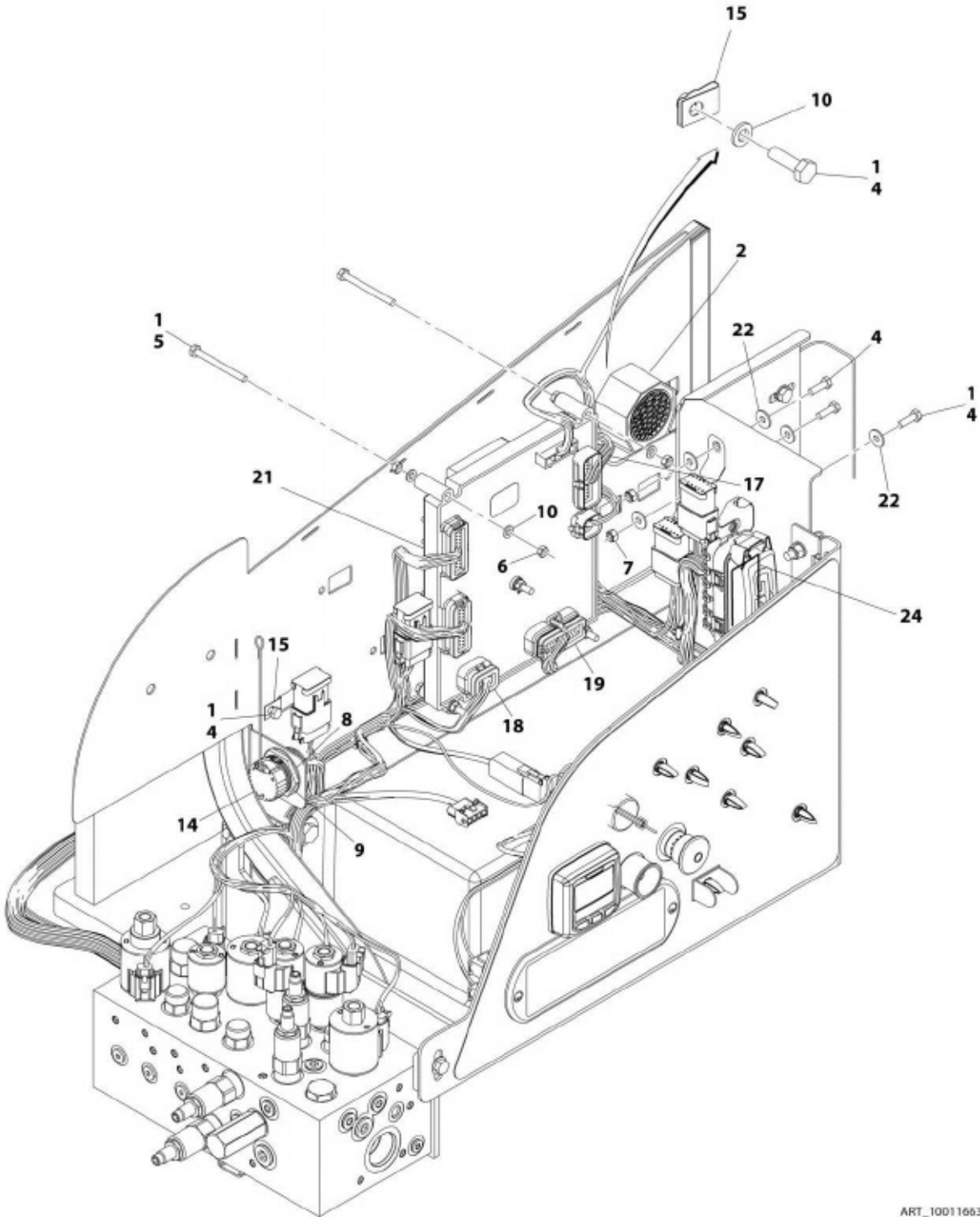
ART_1001177541

FIGURE 2-12. GROUND CONTROL ASSEMBLY - CE SPEC ONLY

ITEM	PART NUMBER	QTY	DESCRIPTION	REV
	1001177541	Ref	GROUND CONTROL ASSEMBLY - CE SPEC ONLY	D
2	1670829	1	Bezel, Front	
4	3300408	2	Nut	
5	3910804	3	Screw M8 x 1/4	
6	3911018	2	Screw #10 x 1-1/8	
7	4060906	1	Guard, Switch	
8	4360328	8	Switch, Toggle	
9	4360387	1	Switch, Push Button	
10	4360469	1	Switch, Key	
10	2860030	1	Key, Replacement	
11	4360475	1	Switch, Emergency	
11	7020175	1	Cap	
11	7020176	1	Block, Contact	
12	4360476	1	Block, Contact	
15	1001146220	1	Display, Light	
16	1001151393	1	Shim .063	
17	1001169896	1	Panel, Ground Control	
18	1001170838	1	PC Board, LED Light	
19	1001171482	1	Gauge, Display	
20	1001173529	1	Decal - Light Display	
21	1001176469	1	Shroud, Switch	
22	1001177543	1	Decal - Ground Control	
23	0100011	AR	Compound, Locking	
24	0760812	2	Bolt M8 x 25	
25	4811900	2	Washer M8	
24	5250810	1	Bolt M8 x 20	
27	5260800	1	Nut M8	
28	1001118274	2	Nut M8	

SECTION 2 - TURNTABLE

FIGURE 2-13. ELECTRICAL SYSTEM INSTALLATION



ART_1001166315_10F2



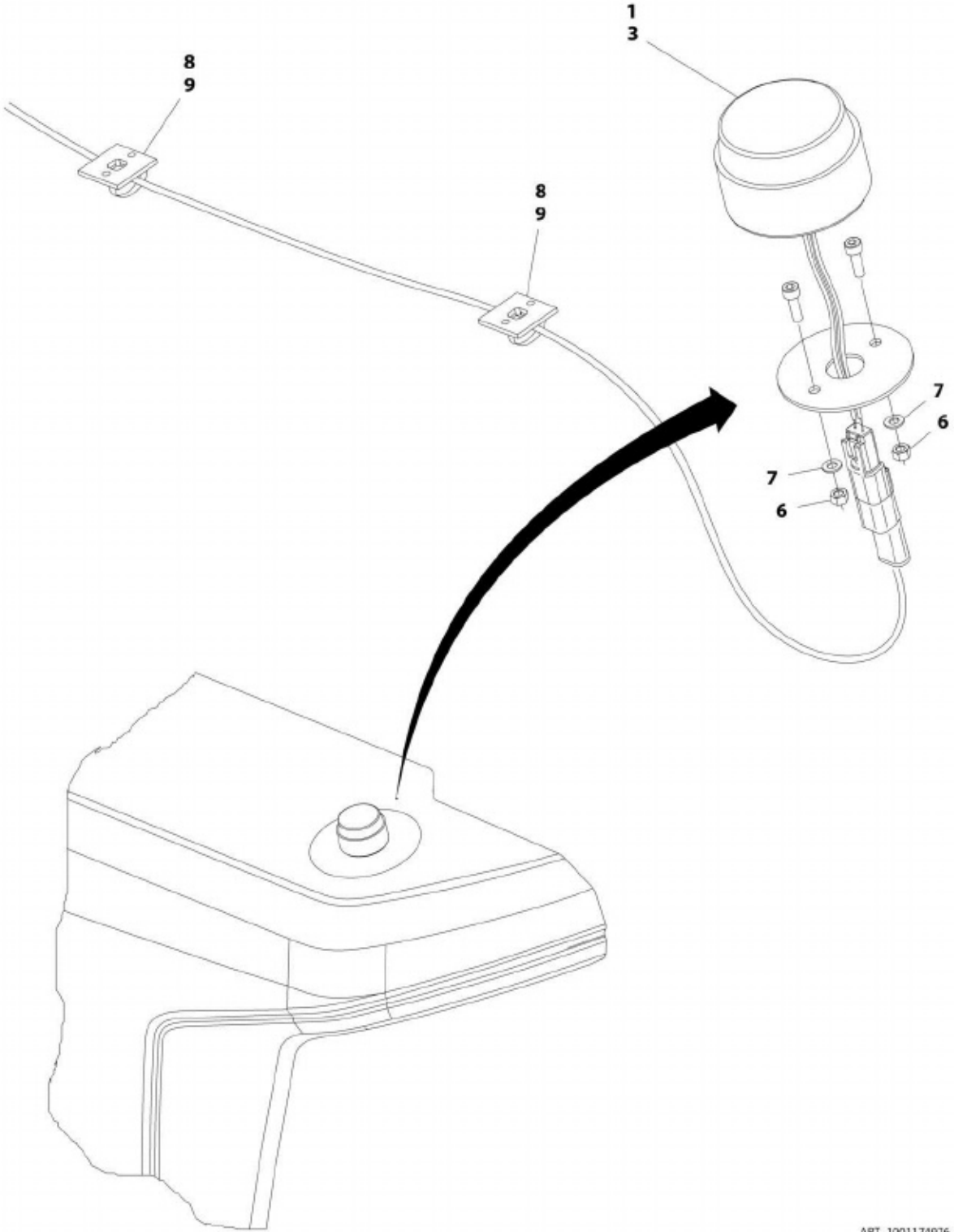
SECTION 2 - TURNTABLE

FIGURE 2-13. ELECTRICAL SYSTEM INSTALLATION

ITEM	PART NUMBER	QTY	DESCRIPTION	REV
	1001166315	Ref	ELECTRICAL SYSTEM INSTALLATION	E
1	0100011	AR	Compound, Locking	
2	0140043	1	Alarm	
2	4460536	1	Receptacle, Female - 3 Position	
2	4460943	3	Pin, Male	
4	0760610	7	Bolt M6 x 20	
5	0760621	5	Bolt M6 x 65	
6	3290601	10	Nut M6	
7	3290605	2	Nut M6	
8	4460496	1	Washer, Terminal	
9	4460497	1	Nut, Terminal	
10	4811700	12	Washer M6	
11	5250608	2	Bolt M6 x 16	
14	1001106736	1	Cap, Dust	
15	1001130220	3	Nut, Tinnerman M6	
16	1001181325	1	Sensor	
16	See Note	1	Receptacle, Female - 4 Position (Note: Not Available for Purchase)	
16	See Note	4	Pin, Male (Note: Not Available for Purchase)	
17	1001186007	1	Turntable Harness (See ELECTRICAL SECTION for Breakdown)	
18	1001164736	1	Valve Harness - Main Valve (See ELECTRICAL SECTION for Breakdown)	
19	1001164737	1	Ground Control Panel Harness (See ELECTRICAL SECTION for Breakdown)	
21	1001170094	1	Module, Ground Control	
	See Note	Ref	Note: Re-calibration Required when Replaced	
22	4811702	7	Washer M6	
23	1001179236	1	Chassis Solenoid Harness (See ELECTRICAL SECTION for Breakdown)	
24	1001196637	1	Decal - Fuse Box	

SECTION 2 - TURNTABLE

FIGURE 2-14. BEACON LIGHT INSTALLATION - AMBER



ART_1001174976

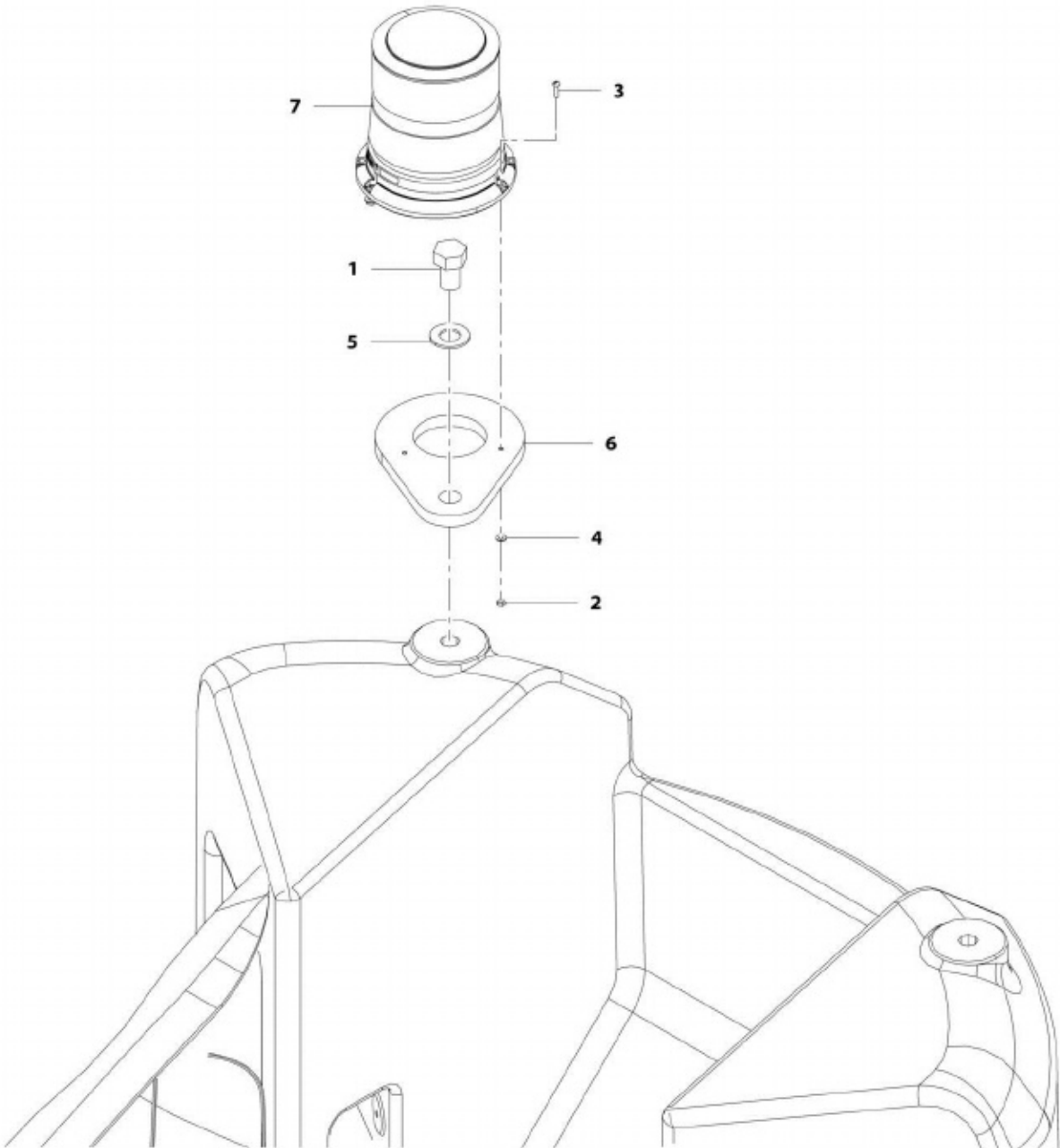
SECTION 2 - TURNTABLI

FIGURE 2-14. BEACON LIGHT INSTALLATION - AMBER

ITEM	PART NUMBER	QTY	DESCRIPTION	REV
	1001174976	Ref	BEACON LIGHT INSTALLATION - AMBER	D
1	0100048	AR	Compound, Silicone	
3	1001181405	1	Lamp, Strobe	
3	4460897	1	Receptacle, Female - 2 Position	
3	4460464	2	Pin, Male	
6	3290505	2	Nut M5	
7	4811600	2	Washer M5	
8	4240032	AR	Tie-Strap	
9	4460234	2	Mount, Tie-Strap	

SECTION 2 - TURNTABLE

FIGURE 2-15. BEACON LIGHT INSTALLATION - BLUE (SN 0300199221 through 0300202578)



ART_1001189194

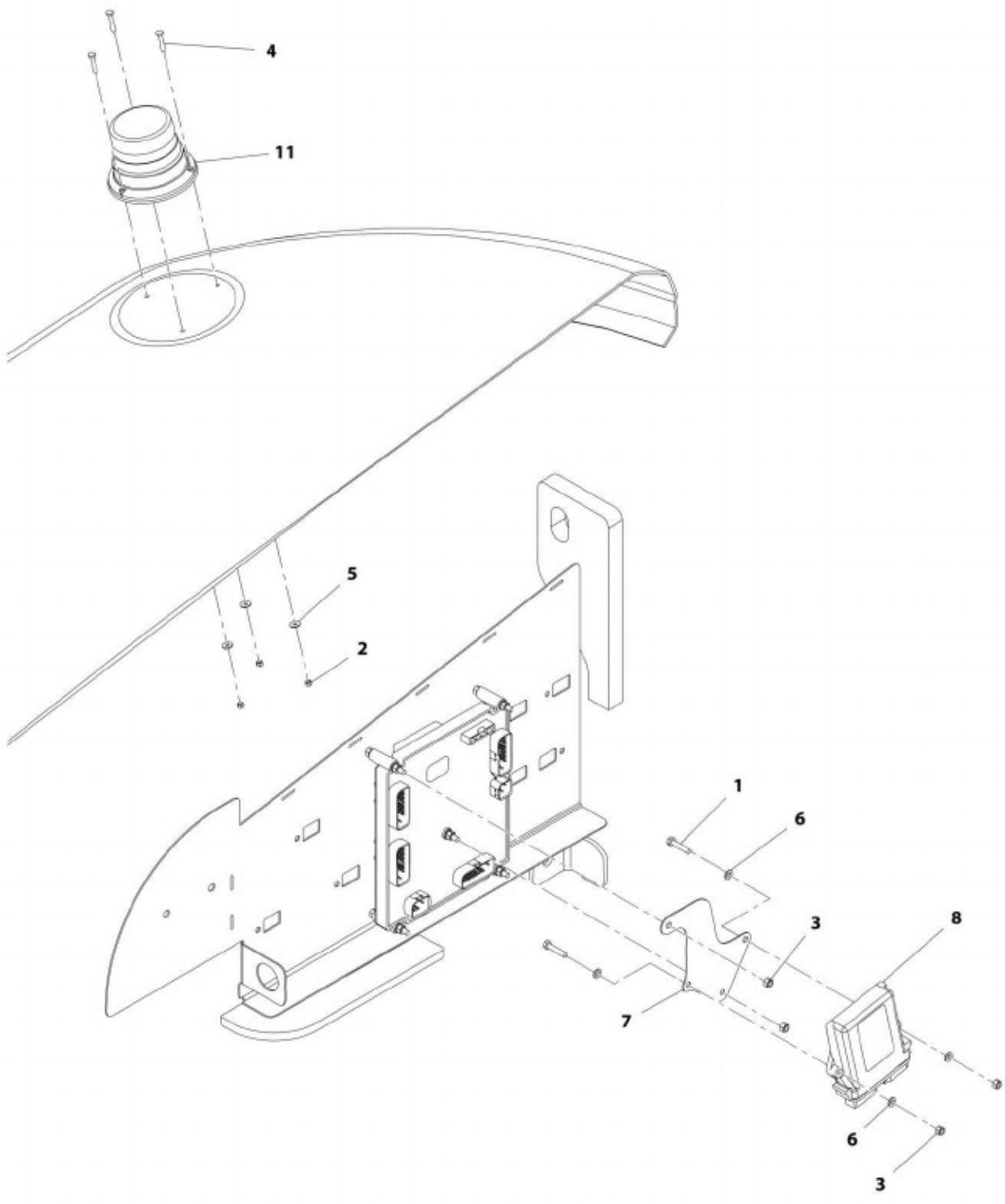
SECTION 2 - TURNTABLI

FIGURE 2-15. BEACON LIGHT INSTALLATION - BLUE (SN 0300199221 through 0300202578)

ITEM	PART NUMBER	QTY	DESCRIPTION	REV
	1001189194	Ref	BEACON LIGHT INSTALLATION - BLUE (SN 0300199221 through 0300202578)	C
1	0642612	1	Bolt 1 x 1-1/2	
2	3311005	3	Nut #10	
3	3911012	3	Screw #10 x 3/4	
4	4711000	3	Washer #10	
5	4712600	1	Washer 1	
6	1001142694	1	Bracket, Mounting	
7	1001143431	1	Light, Beacon	
7	4460897	1	Receptacle, Female - 2 Position	
7	4460943	2	Pin, Male	
8	1001149570	1	Beacon Harness (Not Shown - See ELECTRICAL SECTION for Breakdown)	

SECTION 2 - TURNTABLE

FIGURE 2-16. BEACON LIGHT INSTALLATION - BLUE (SN 0300202579 to Present, SN E30000001 to Present)



ART_1001193216

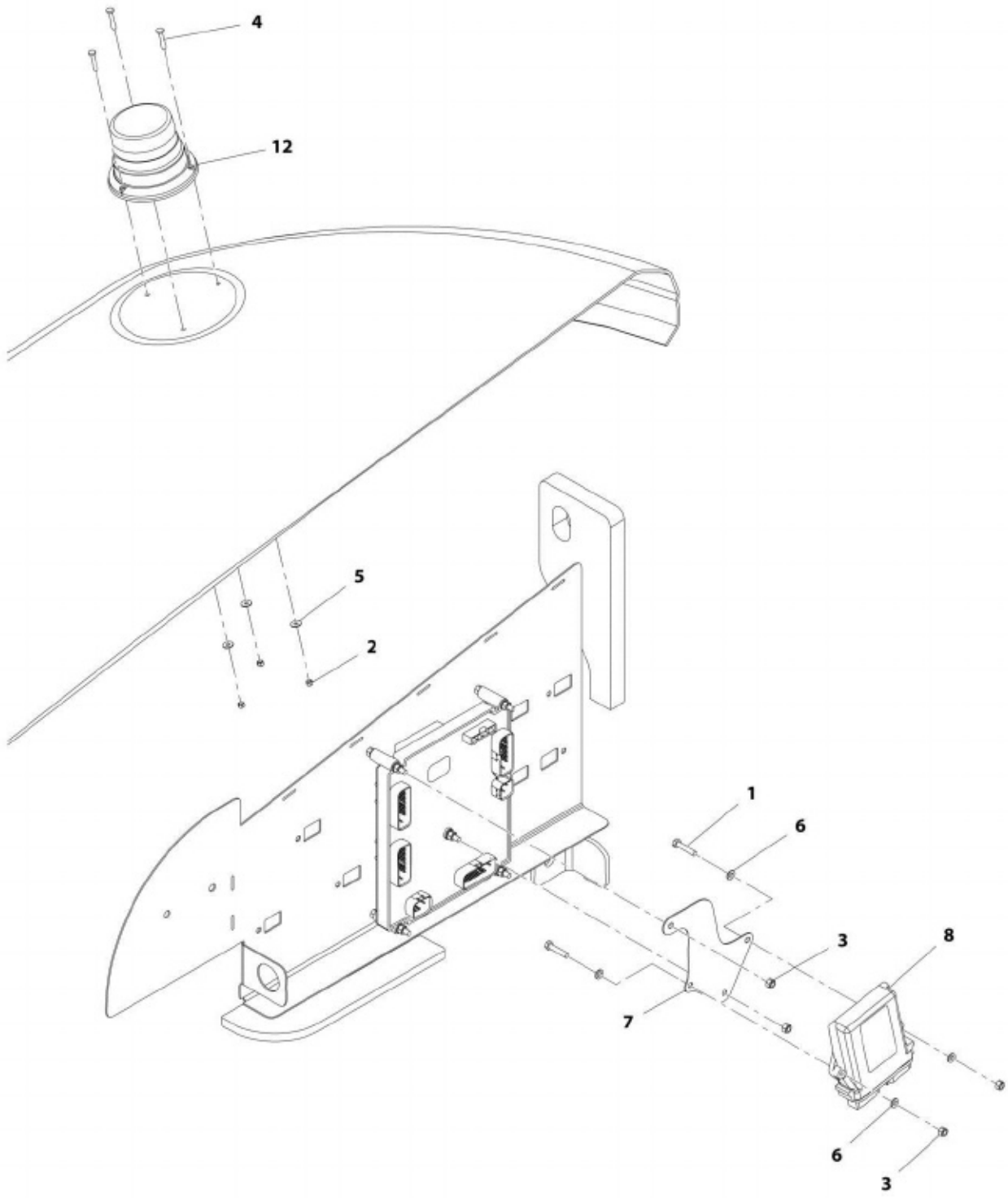
SECTION 2 - TURNTABLI

FIGURE 2-16. BEACON LIGHT INSTALLATION - BLUE (SN 0300202579 to Present, SN E300000001 to Present)

ITEM	PART NUMBER	QTY	DESCRIPTION	REV
	1001193216	Ref	BEACON LIGHT INSTALLATION - BLUE (SN 0300202579 to Present, SN E300000001 to Present)	A
1	0760614	2	Bolt M6 x 30	
2	3290505	3	Nut M5	
3	3290605	4	Nut M6	
4	4010514	3	Screw M5 x 30	
5	4811602	3	Washer M5	
6	4811700	4	Washer M6	
7	1001100433	1	Mount, Module	
8	1001142683	1	Decal - Control	
9	1001142736	1	Beacon Harness (Not Shown - See ELECTRICAL SECTION for Breakdown)	
11	1001193061	1	Light, Beacon	
11	4460897	1	Receptacle, Female - 2 Position	
11	4460943	2	Pin, Male	
12	1001196458	1	Beacon Extension Harness (Not Shown - See ELECTRICAL SECTION for Breakdown)	

SECTION 2 - TURNTABLE

FIGURE 2-17. BEACON LIGHT INSTALLATION - RED (SN 0300214493 through .E300003100)



ART_1001207315

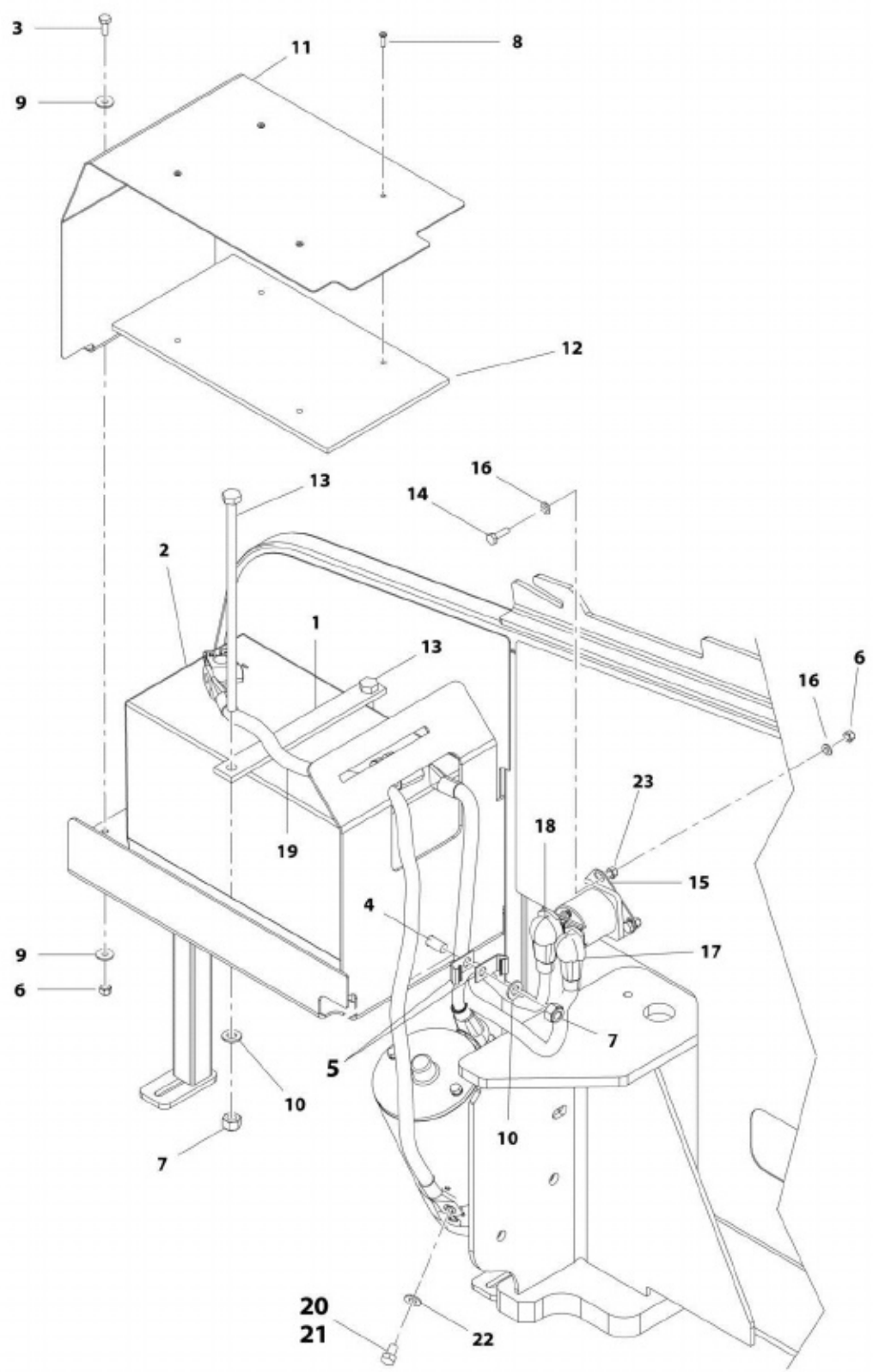
SECTION 2 - TURNTABLI

FIGURE 2-17. BEACON LIGHT INSTALLATION - RED (SN 0300214493 through .E300003100)

ITEM	PART NUMBER	QTY	DESCRIPTION	REV
	1001207315	1	BEACON LIGHT INSTALLATION - RED (SN 0300214493 to Present, SN E300003100 to Present)	A
1	0760614	2	Bolt M6 x 30	
2	3290505	3	Nut M5	
3	3290605	4	Nut M6	
4	4010514	3	Screw M5 x 30	
5	4811602	3	Washer M5	
6	4811700	4	Washer M6	
7	1001100433	1	Mount, Module	
8	1001142683	1	Decal - Control	
9	1001142736	1	Beacon Harness (Not Shown - See ELECTRICAL SECTION for Breakdown)	
11	1001196458	1	Beacon Extension Harness (Not Shown - See ELECTRICAL SECTION for Breakdown)	
12	1001207302	1	Light, Beacon	
12	4460897	1	Receptacle, Female - 2 Position	
12	4460943	2	Pin, Male	

SECTION 2 - TURNTABLE

FIGURE 2-18. BATTERY AND CABLE INSTALLATION - USA BUILT MACHINES



ART_1001166316

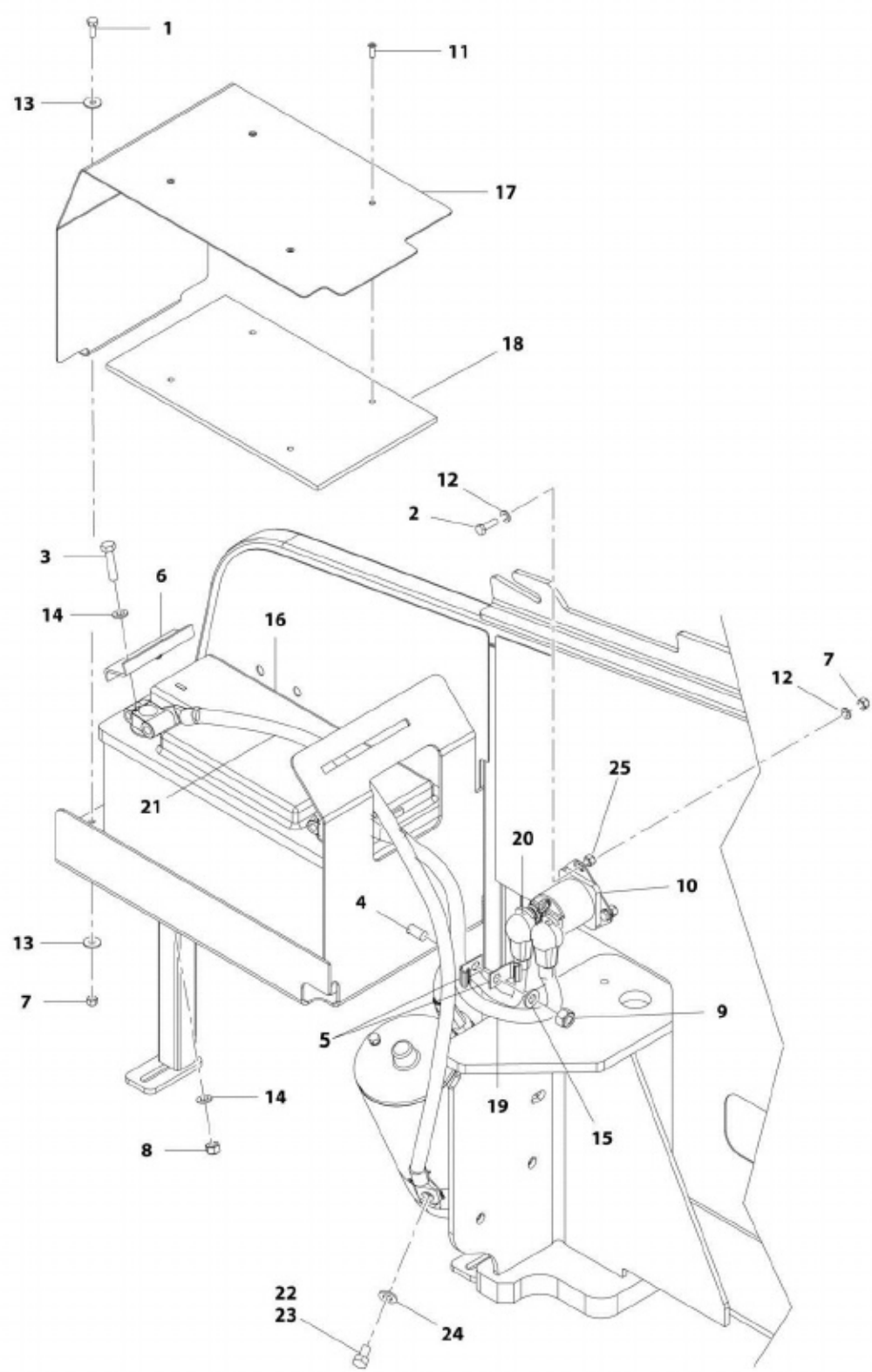
SECTION 2 - TURNTABLI

FIGURE 2-18. BATTERY AND CABLE INSTALLATION - USA BUILT MACHINES

ITEM	PART NUMBER	QTY	DESCRIPTION	REV
	1001166316	Ref	BATTERY AND CABLE INSTALLATION - USA BUILT MACHINES	E
1	0361810	1	Bar, Hold-down	
2	0400075	1	Battery	
3	0760608	2	Bolt M6 x 16	
4	0761012	1	Bolt M10 x 25	
5	1320223	2	J-Clip	
6	3290605	4	Nut M6	
7	3291005	3	Nut M10	
8	3820032	4	Rivet	
9	4811702	4	Washer M6	
10	4812000	4	Washer M10	
11	1001117240	1	Cover	
12	1001119278	1	Insulation	
13	1001119280	2	Bolt M16 x 260	
14	0760612	2	Bolt M6 x 25	
15	3740067	1	Relay	
15	3300220	2	Nut 3/8	
15	1001111424	2	Washer 3/8	
15	3321001	1	Nut #10	
15	4761000	1	Washer #10	
16	4811700	4	Washer M6	
17	1001171678	1	Cable, Battery (Positive + to Aux Relay) (Prior to SN E300002976)	
17	1001205752	1	Cable, Battery (Positive + to Aux Relay) (SN E300002976 to Present)	
18	1001171679	1	Cable, Battery (Aux Relay to Aux Pump)	
19	1001171680	1	Cable, Battery (Negative – to Aux Pump) (Prior to SN E300002976)	
19	1001205750	1	Cable, Battery (Negative _ to Aux Pump) (SN E300002976 to Present)	
20	0100011	AR	Compound, Locking	
21	0641504	1	Bolt 5/16 x 1/2	
22	4711500	1	Washer 5/16	
23	3290601	2	Nut M6	

SECTION 2 - TURNTABLE

FIGURE 2-19. BATTERY AND CABLE INSTALLATION - ROMANIAN BUILT MACHINES



ART_1001166317

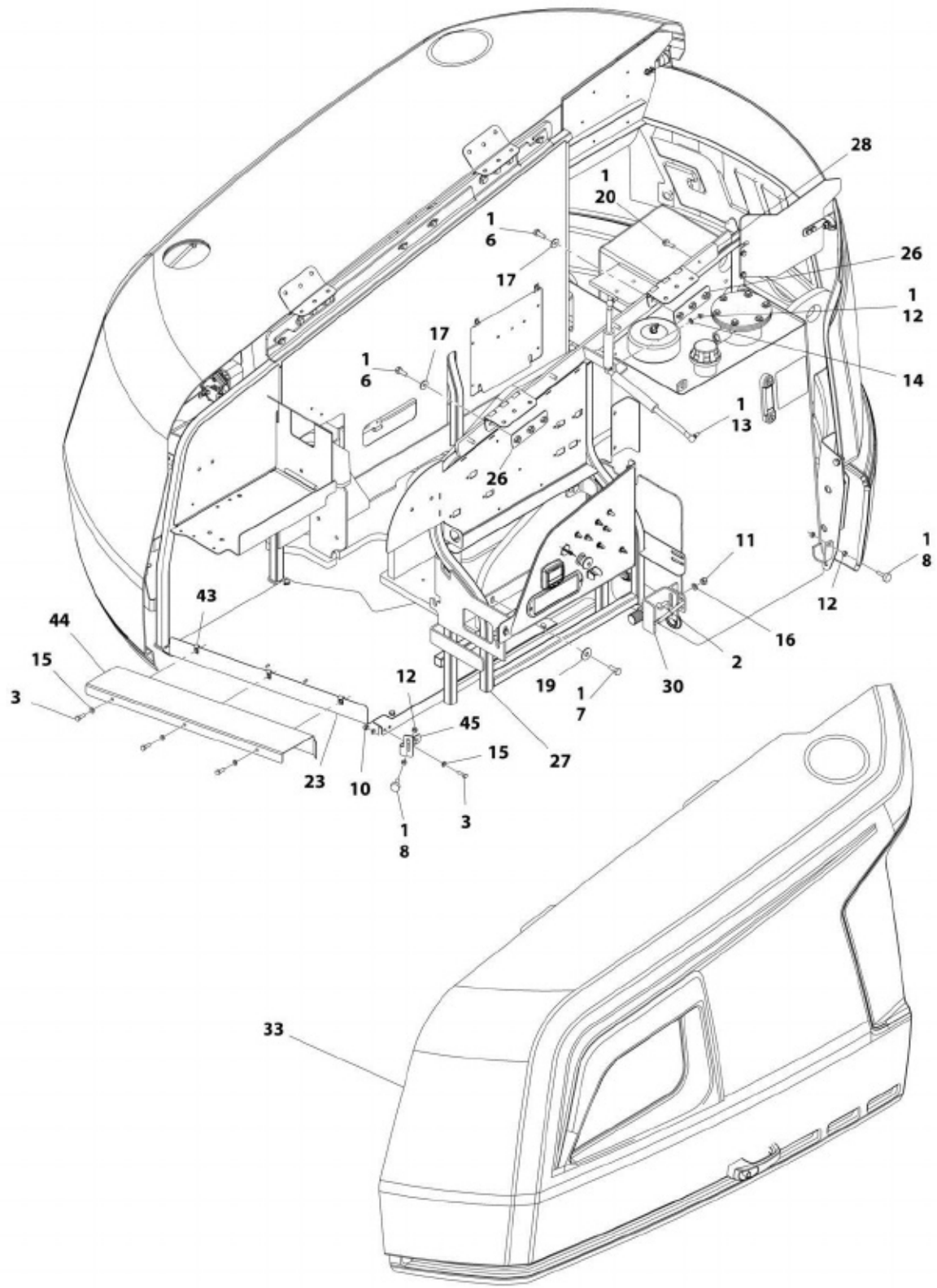
SECTION 2 - TURNTABLI

FIGURE 2-19. BATTERY AND CABLE INSTALLATION - ROMANIAN BUILT MACHINES

ITEM	PART NUMBER	QTY	DESCRIPTION	REV
	1001166317	Ref	BATTERY AND CABLE INSTALLATION - ROMANIAN BUILT MACHINES	E
1	0760608	2	Bolt M6 x 16	
2	0760612	2	Bolt M6 x 25	
3	0760815	2	Bolt M8 x 35	
4	0761012	1	Bolt M10 x 25	
5	1320223	2	J-Clip	
6	1787217	1	Clamp	
7	3290605	4	Nut M6	
8	3290805	2	Nut M8	
9	3291005	1	Nut M10	
10	3740067	1	Relay	
10	3300220	2	Nut 3/8	
10	1001111424	2	Washer 3/8	
10	3321001	1	Nut #10	
10	4761000	1	Washer #10	
11	3820032	4	Rivet	
12	4811700	4	Washer M6	
13	4811702	4	Washer M6	
14	4811900	4	Washer M8	
15	4812000	2	Washer M10	
16	8008750	1	Battery	
17	1001117240	1	Cover	
18	1001119278	1	Insulation	
19	1001171678	1	Cable, Battery (Positive + to Aux Relay)	
20	1001171679	1	Cable, Battery (Aux Relay to Aux Pump)	
21	1001171680	1	Cable, Battery (Negative - to Aux Pump)	
22	0100011	AR	Compound, Locking	
23	0641504	1	Bolt 5/16 x 1/2	
24	4711500	1	Washer 5/16	
25	3290601	2	Nut M6	

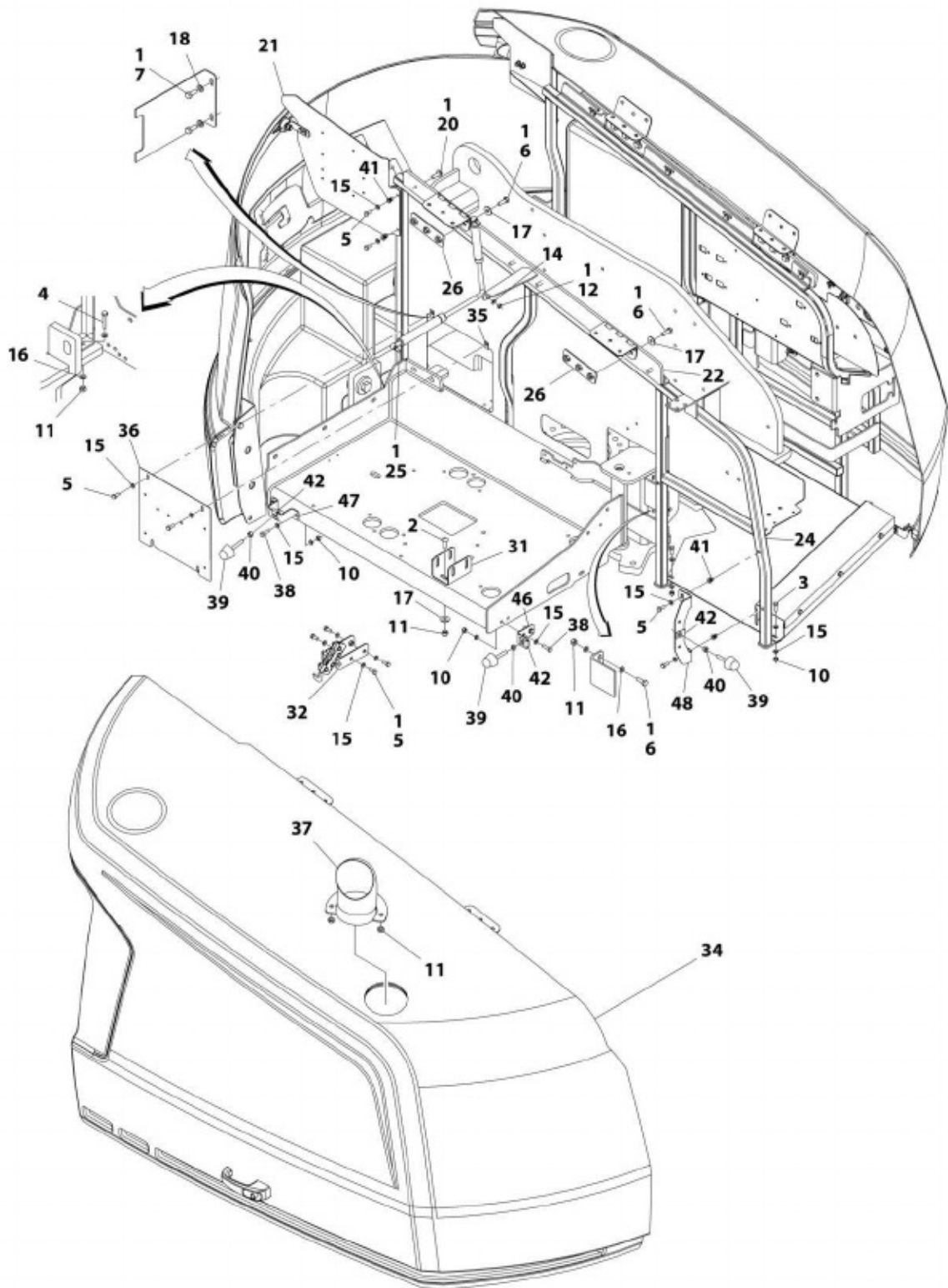
SECTION 2 - TURNTABLE

FIGURE 2-20. HOODS INSTALLATION



ART_1001165622_1OF2

SECTION 2 - TURNTABLE



ART_1001165622_2OF2

SECTION 2 - TURNTABLE

FIGURE 2-20. HOODS INSTALLATION

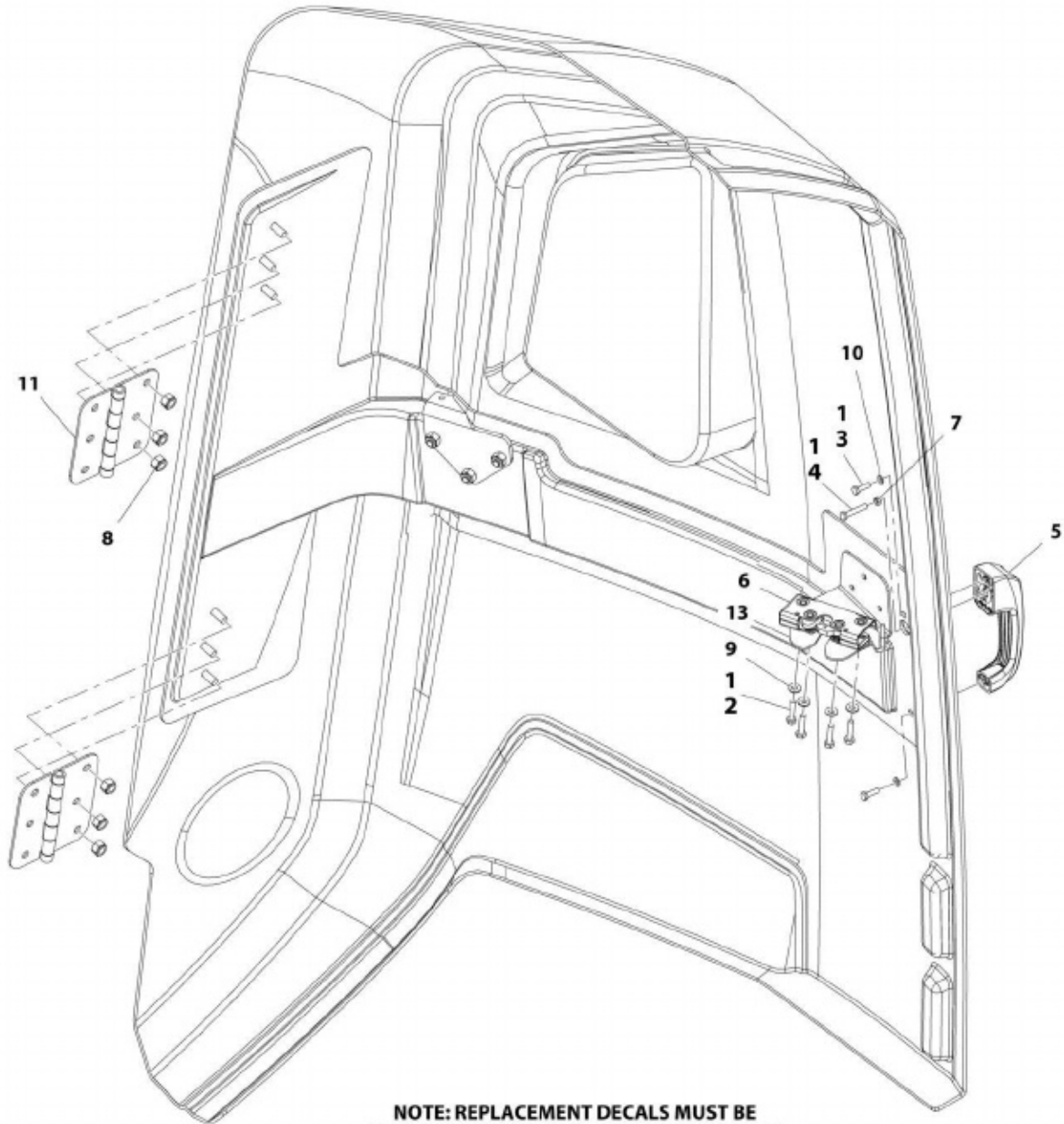
ITEM	PART NUMBER	QTY	DESCRIPTION	REV
	1001165622	Ref	HOODS INSTALLATION	F
1	0100011	AR	Compound, Locking	
2	0630613	4	Bolt M10 x 30	
3	0760812	9	Bolt M8 x 25	
4	0701018	5	Bolt M10 x 50	
5	0760810	10	Bolt M8 x 20	
6	0761014	14	Bolt M10 x 30	
7	0761214	6	Bolt M12 x 30	
8	0940049	2	Bumper	
10	3290805	10	Nut M8	
11	3291005	14	Nut M10	
12	3311501	6	Nut 5/16	
13	1001182169	1	Spring, Gas	
14	4711500	2	Washer 5/16	
15	4811900	33	Washer M8	
16	4812000	16	Washer M10	
17	4812002	14	Washer M10	
18	4812100	2	Washer M12	
19	4812102	4	Washer M12	
20	5251014	8	Bolt M10 x 30	
21	1001167153	NLA	Panel, Filler (Use p/n 1001200086) (SN 0300199221 through 0300205472)	
21	1001200086	1	Panel, Filler (SN 0300205473 to Present, SN E300000001 to Present)	
22	1001167159	1	Mount	
23	1001167163	1	Tray	
24	1001167169	1	Mount	
25	4160182	1	Spring, Gas	
26	1001169046	4	Nut	
27	1001170001	1	Support, Hood	
28	1001170018	1	Mount	
30	1001170022	1	Mount	
31	1001170859	1	Mount	
32	1001170860	1	Support	
33	1001172282	1	Hood Assembly - Tank Side (See HOOD ASSEMBLY - TANK SIDE for Breakdown)	
34	1001172833	1	Hood Assembly - Engine Side (See HOOD ASSEMBLY - ENGINE SIDE for Breakdown)	
35	8310686	2	Nut, Retainer M8	
36	1001167149	1	Panel, Filler	
37	1001174098	1	Pipe, Exhaust	
38	0760814	4	Bolt M8 x 30	
39	0940071	3	Bumper	
40	3311601	3	Nut 3/8	
41	1001191832	4	Rivnut M8	
42	88662523	3	Nut, Tinnerman	
43	1001118274	3	Nut M8	
44	1001171216	1	Cover	
45	1001179904	1	Mount	
46	1001182875	1	Mount	

SECTION 2 - TURNTABLI

ITEM	PART NUMBER	QTY	DESCRIPTION	REV
47	1001182877	1	Mount	
48	1001182879	1	Mount	
49	1701691	2	Decal - No Step	

SECTION 2 - TURNTABLE

FIGURE 2-21. HOOD ASSEMBLY - TANK SIDE



NOTE: REPLACEMENT DECALS MUST BE ORDERED SEPARATELY - SEE DECAL SECTION.

ART_1001172282

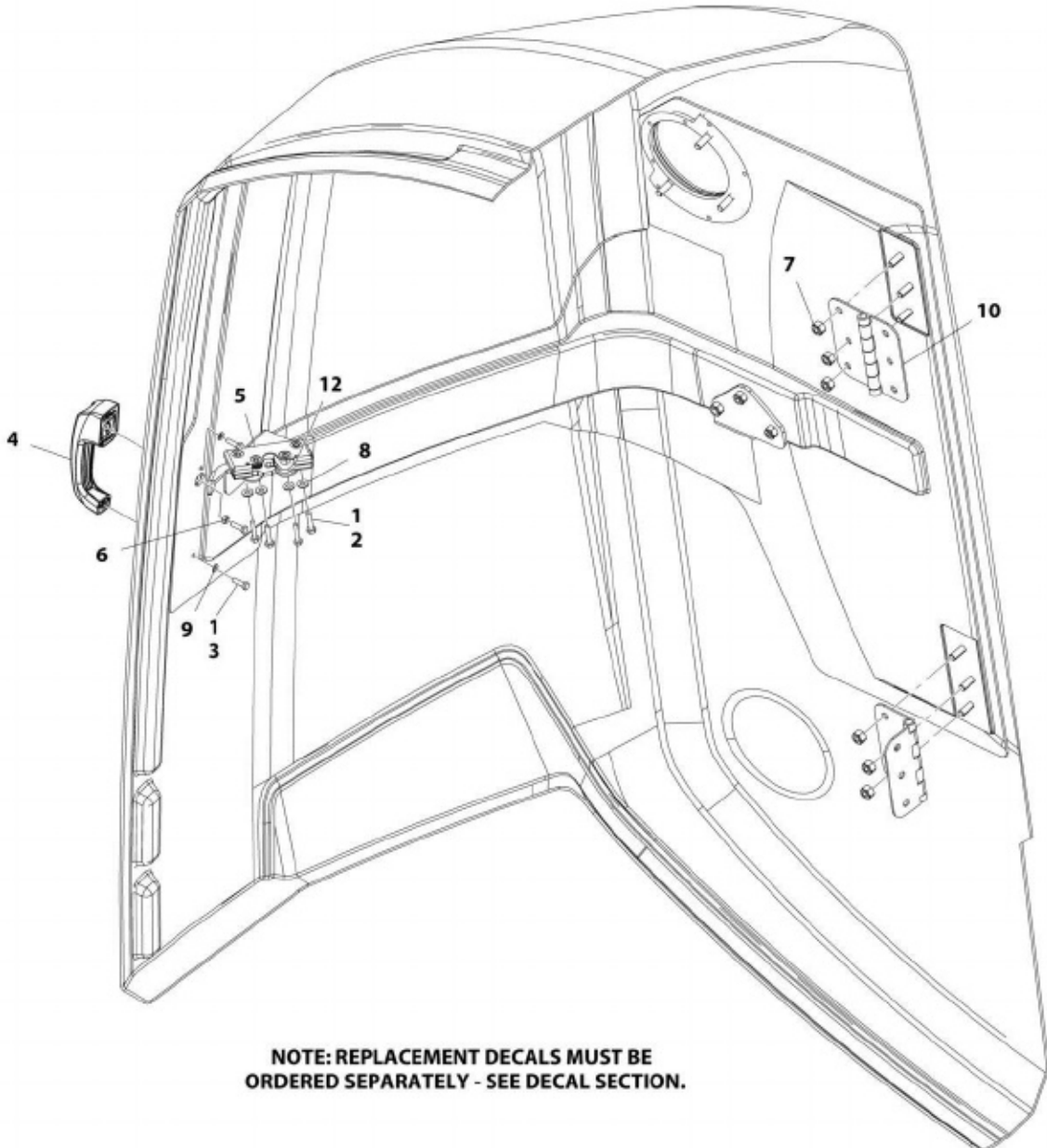
SECTION 2 - TURNTABLI

FIGURE 2-21. HOOD ASSEMBLY - TANK SIDE

ITEM	PART NUMBER	QTY	DESCRIPTION	REV
	1001172282	Ref	HOOD ASSEMBLY - TANK SIDE	C
1	0100011	AR	Compound, Locking	
2	0641410	4	Bolt 1/4 x 1-1/4	
3	0760610	2	Bolt M6 x 20	
4	0760615	1	Bolt M6 x 35	
5	2560187	1	Handle	
6	2940173	1	Latch	
7	3290601	1	Nut M6	
8	3291005	6	Nut M10	
9	4711400	4	Washer 1/4	
10	4811700	2	Washer M6	
11	1001139384	2	Hinge	
13	1001200458	1	Plate, Latch Guide	

SECTION 2 - TURNTABLE

FIGURE 2-22. HOOD ASSEMBLY - ENGINE SIDE



NOTE: REPLACEMENT DECALS MUST BE ORDERED SEPARATELY - SEE DECAL SECTION.

ART_1001172833

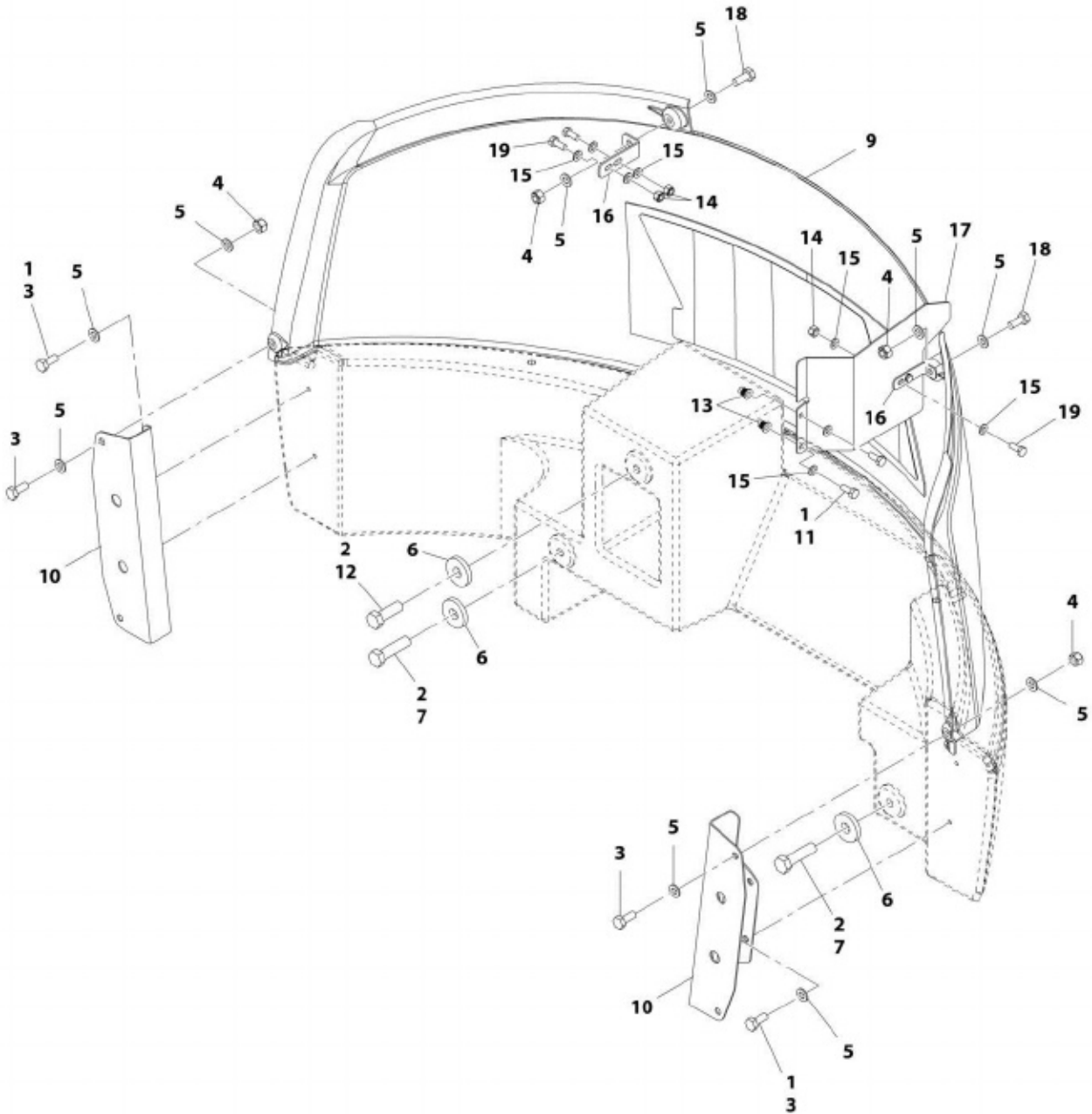
SECTION 2 - TURNTABLI

FIGURE 2-22. HOOD ASSEMBLY - ENGINE SIDE

ITEM	PART NUMBER	QTY	DESCRIPTION	REV
	1001172833	Ref	HOOD ASSEMBLY - ENGINE SIDE	C
1	0100011	AR	Compound, Locking	
2	0641410	4	Bolt 1/4 x 1-1/4	
3	0760610	3	Bolt M6 x 20	
4	2560187	1	Handle	
5	2940173	1	Latch	
6	3290601	1	Nut M6	
7	3291005	6	Nut M10	
8	4711400	4	Washer 1/4	
9	4811700	2	Washer M6	
10	1001139384	2	Hinge	
12	1001200458	1	Plate, Latch Guide	

SECTION 2 - TURNTABLE

FIGURE 2-23. COVERS INSTALLATION - COUNTERWEIGHT (USED ON MACHINES WITH FOAM-FILLED TIRES FOR ANSI, ANSI EXPORT, CSA AND JAPANESE SPECS)



ART_1001165944

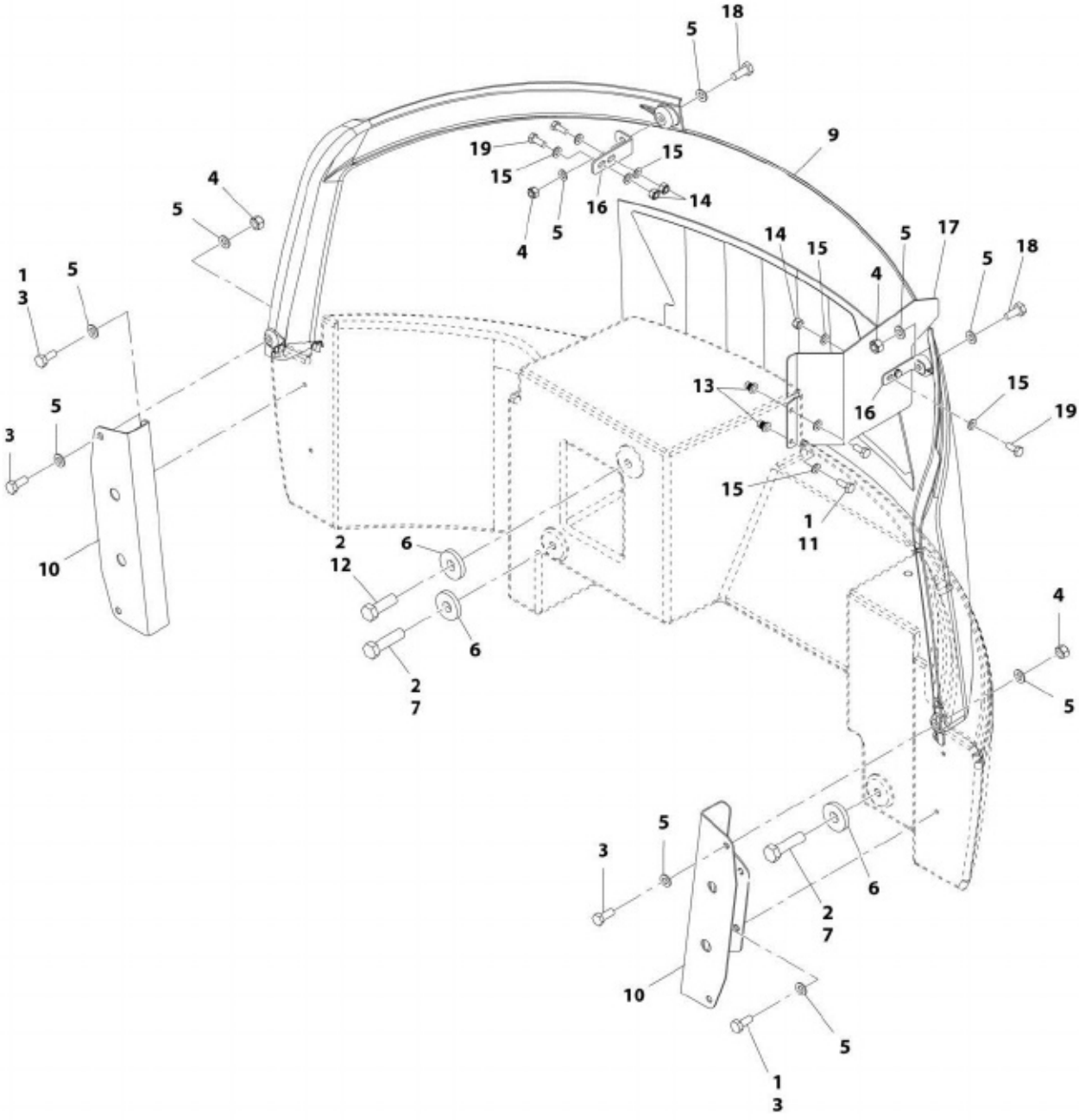
SECTION 2 - TURNTABLI

FIGURE 2-23. COVERS INSTALLATION - COUNTERWEIGHT (USED ON MACHINES WITH FOAM-FILLED TIRES FOR ANSI, ANSI EXPORT, CSA AND JAPANESE SPECS)

ITEM	PART NUMBER	QTY	DESCRIPTION	REV
	1001165944	Ref	COVERS INSTALLATION - COUNTERWEIGHT (USED ON MACHINES WITH FOAM-FILLED TIRES FOR ANSI, ANSI EXPORT, CSA AND JAPANESE SPECS)	E
1	0100011	AR	Compound, Locking	
2	0100019	AR	Compound, Locking	
3	0701012	6	Bolt M10 x 25	
4	3291005	4	Nut M10	
5	4812000	12	Washer M10	
6	1001119051	3	Washer	
7	1001119057	2	Bolt M20 x 75	
9	1001169183	1	Hood	
10	1001170131	2	Bracket	
11	0760810	2	Bolt M8 x 20	
12	0762020	1	Bolt M20 x 60	
13	1001191832	2	Rivnut M8	
14	3290805	4	Nut M8	
15	4811900	10	Washer M8	
16	1001167825	2	Mount	
17	1001170025	NLA	Panel (Use p/n 1001200088) (SN 0300199221 through 0300205472)	
17	1001200088	1	Panel (SN 0300205473 to Present, SN E300000001 to Present)	
18	0701012	2	Bolt M10 x 25 (SN 0300199221 through 0300205472)	
18	0701014	2	Bolt M10 x 30 (SN 0300205473 to Present, SN E300000001 to Present)	
19	0760810	4	Bolt M8 x 20 (SN 0300199221 through 0300205472)	
19	0760812	4	Bolt M8 x 25 (SN 0300205473 to Present, SN E300000001 to Present)	

SECTION 2 - TURNTABLE

FIGURE 2-24. COVERS INSTALLATION - COUNTERWEIGHT (USED ON MACHINES WITH PNEUMATIC TIRES LSS FOR ANSI EXPORT, AUSTRALIAN, CE AND JAPANESE SPECS)



ART_1001165945

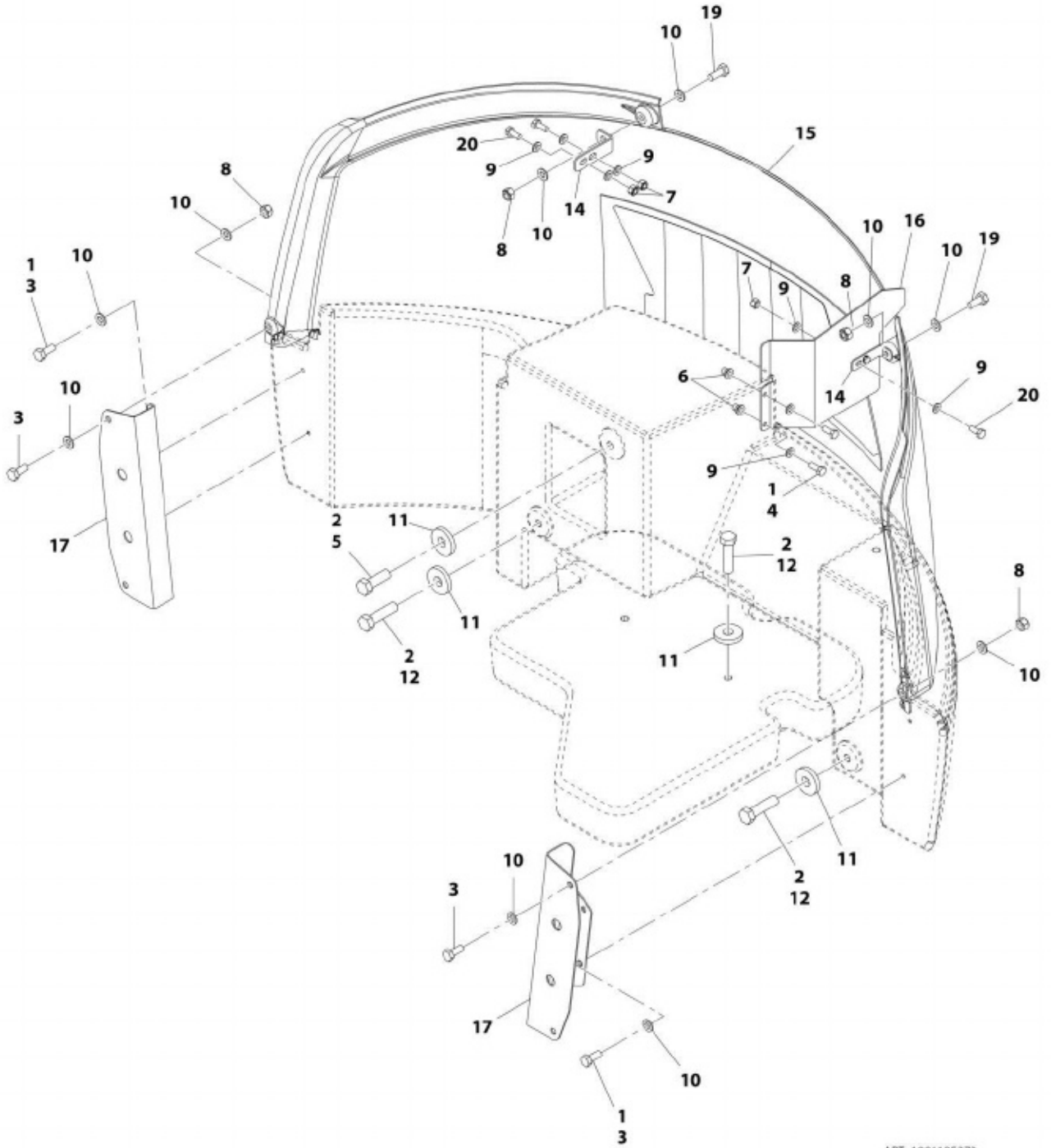
SECTION 2 - TURNTABLI

FIGURE 2-24. COVERS INSTALLATION - COUNTERWEIGHT (USED ON MACHINES WITH PNEUMATIC TIRES LSS FOR ANSI EXPORT, AUSTRALIAN, CE AND JAPANESE SPECS)

ITEM	PART NUMBER	QTY	DESCRIPTION	REV
	1001165945	Ref	COVERS INSTALLATION - COUNTERWEIGHT (USED ON MACHINES WITH PNEUMATIC TIRES LSS FOR ANSI EXPORT, AUSTRALIAN, CE AND JAPANESE SPECS)	E
1	0100011	AR	Compound, Locking	
2	0100019	AR	Compound, Locking	
3	0701012	6	Bolt M10 x 25	
4	3291005	4	Nut M10	
5	4812000	12	Washer M10	
6	1001119051	3	Washer	
7	1001119057	2	Bolt M20 x 75	
9	1001169183	1	Hood	
10	1001170131	2	Bracket	
11	0760810	2	Bolt M8 x 20	
12	0762020	1	Bolt M20 x 60	
13	1001191832	2	Rivnut M8	
14	3290805	4	Nut M8	
15	4811900	10	Washer M8	
16	1001167825	2	Mount	
17	1001170025	NLA	Panel (Use p/n 1001200088) (SN 0300199221 through 0300205472)	
17	1001200088	1	Panel (SN 0300205473 to Present, SN E300000001 to Present)	
18	0701012	2	Bolt M10 x 25 (SN 0300199221 through 0300205472)	
18	0701014	2	Bolt M10 x 30 (SN 0300205473 to Present, SN E300000001 to Present)	
19	0760810	4	Bolt M8 x 20 (SN 0300199221 through 0300205472)	
19	0760812	4	Bolt M8 x 25 (SN 0300205473 to Present, SN E300000001 to Present)	

SECTION 2 - TURNTABLE

FIGURE 2-25. COVERS INSTALLATION - COUNTERWEIGHT (USED ON MACHINES WITH TURF AND SAND TIRES FOR ANSI AND ANSI EXPORT SPECS)



ART_1001185373

SECTION 2 - TURNTABLI

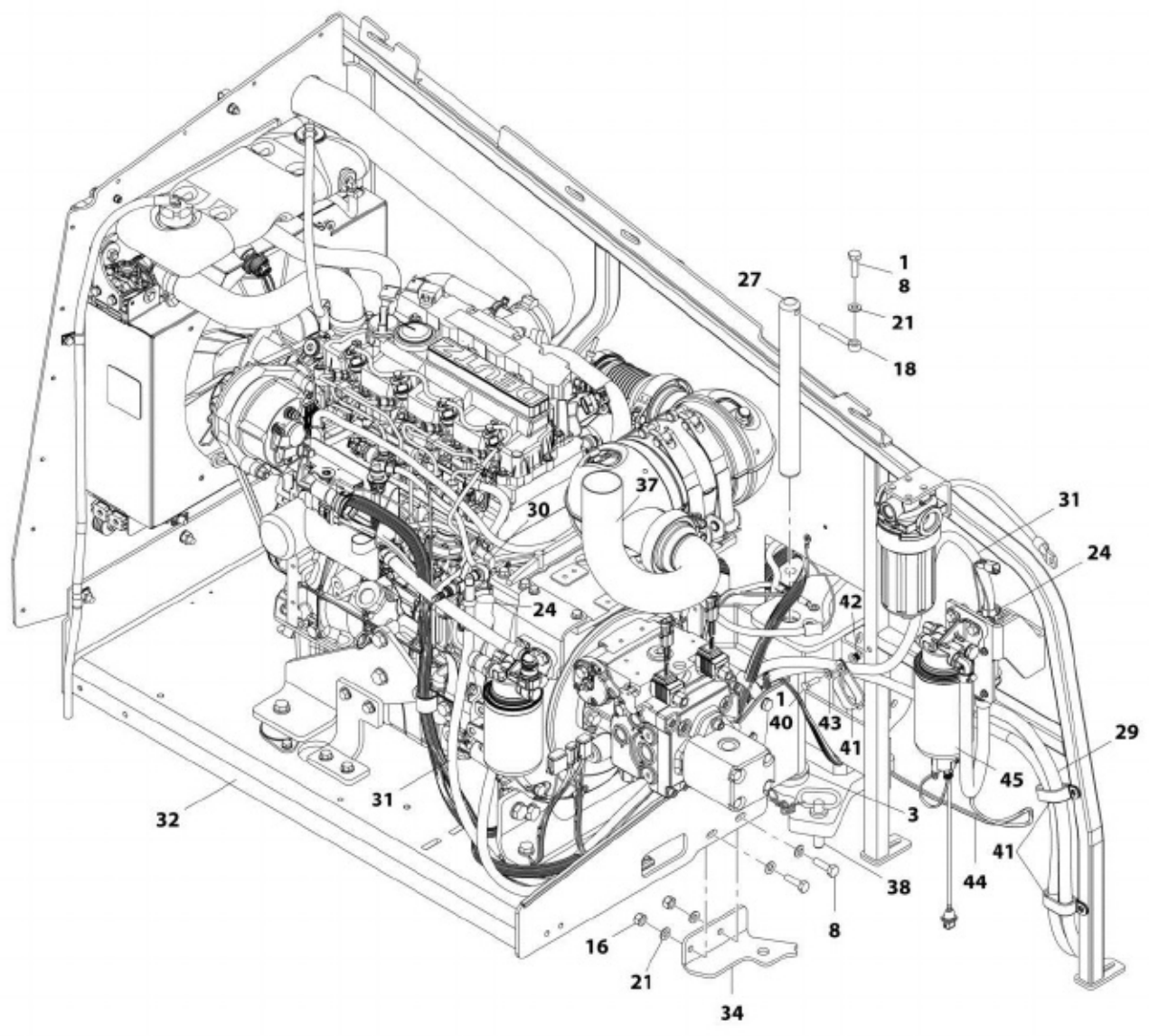
FIGURE 2-25. COVERS INSTALLATION - COUNTERWEIGHT (USED ON MACHINES WITH TURF AND SAND TIRES FOR ANSI AND ANSI EXPORT SPECS)

ITEM	PART NUMBER	QTY	DESCRIPTION	REV
	1001185373	Ref	COVERS INSTALLATION - COUNTERWEIGHT (USED ON MACHINES WITH TURF AND SAND TIRES FOR ANSI AND ANSI EXPORT SPECS)	D
1	0100011	AR	Compound, Locking	
2	0100019	AR	Compound, Locking	
3	0701012	6	Bolt M10 x 25	
4	0760810	2	Bolt M8 x 20	
5	0762020	1	Bolt M20 x 60	
6	1001191832	2	Rivnut M8	
7	3290805	4	Nut M8	
8	3291005	4	Nut M10	
9	4811900	10	Washer M8	
10	4812000	12	Washer M10	
11	1001119051	5	Washer	
12	1001119057	4	Bolt M20 x 75	
14	1001167825	2	Mount	
15	1001169183	1	Hood	
16	1001170025	NLA	Panel (Use p/n 1001200088) (SN 0300199221 through 0300205472)	
16	1001200088	1	Panel (SN 0300205473 to Present, SN E300000001 to Present)	
17	1001170131	2	Bracket	
19	0701012	2	Bolt M10 x 25 (SN 0300199221 through 0300205472)	
19	0701014	2	Bolt M10 x 30 (SN 0300205473 to Present, SN E300000001 to Present)	
20	0760810	4	Bolt M8 x 20 (SN 0300199221 through 0300205472)	
20	0760812	4	Bolt M8 x 25 (SN 0300205473 to Present, SN E300000001 to Present)	

SECTION 3 - ENGINE

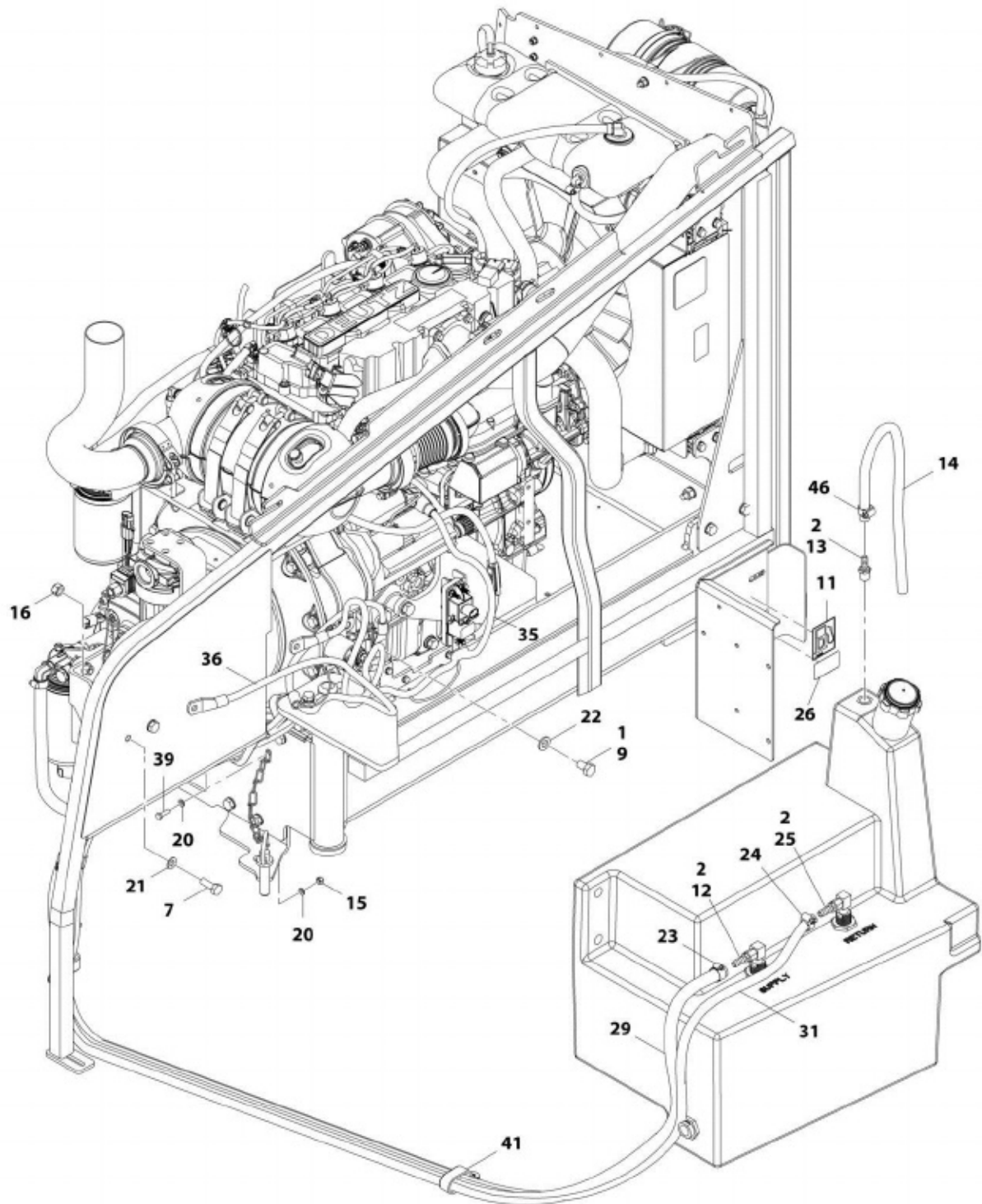
SECTION 3 - ENGINE

FIGURE 3-1. ENGINE INSTALLATION - DEUTZ D2.9L4 ENGINE (WITHOUT ARCTIC PACKAGE) (ANSI AND CSA SPECS)



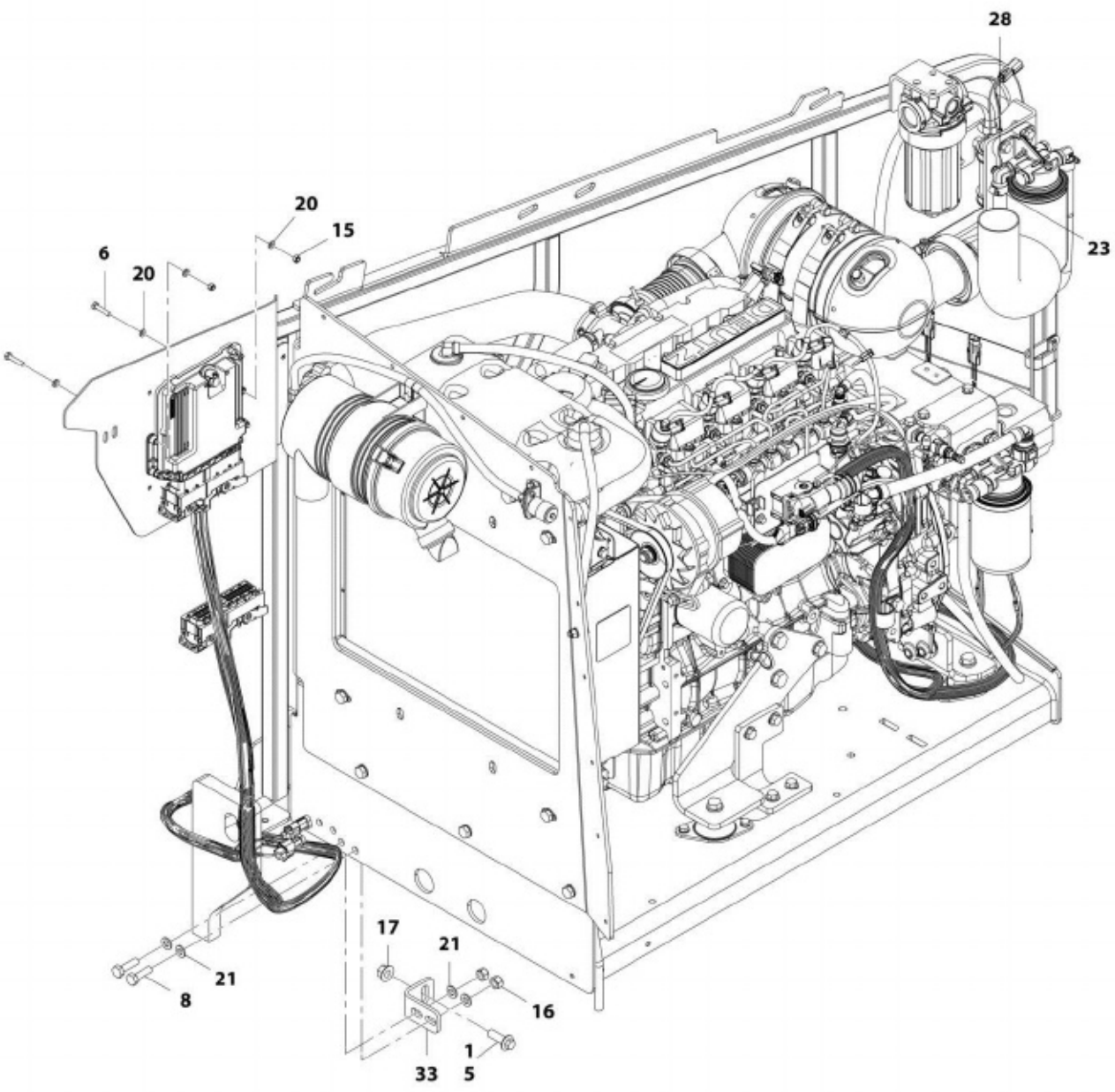
ART_1001166304_TOF3

SECTION 3 - ENGINE



ART_1001166304_20F3

SECTION 3 - ENGINE



ART_1001166304_3OF3

SECTION 3 - ENGINE

FIGURE 3-1. ENGINE INSTALLATION - DEUTZ D2.9L4 ENGINE (WITHOUT ARCTIC PACKAGE) (ANSI AND CSA SPECS)

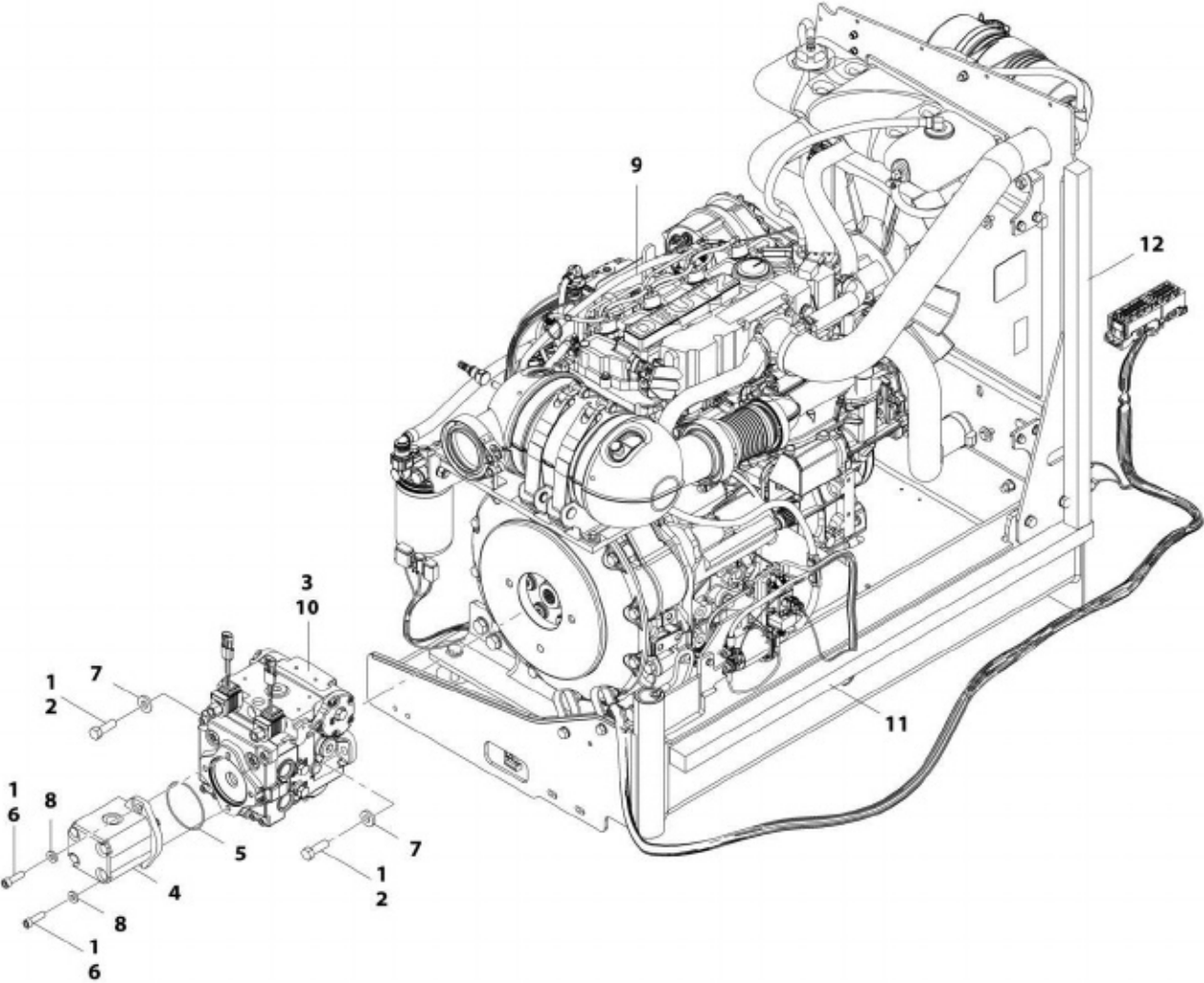
ITEM	PART NUMBER	QTY	DESCRIPTION	REV
	1001166304	Ref	ENGINE INSTALLATION - DEUTZ D2.9L4 ENGINE (WITHOUT ARCTIC PACKAGE) (ANSI AND CSA SPECS)	E
1	0100011	AR	Compound, Locking	
2	0100020	AR	Sealant, Pipe	
3	0440162	1	Bearing	
5	5251215	1	Bolt, M12 x 35mm	
6	0760614	4	Bolt, M6 x 30mm	
7	0761014	2	Bolt, M10 x 30mm	
8	0761015	5	Bolt, M10 x 35mm	
9	0761210	1	Bolt, M12 x 20mm	
11	1701505	1	Decal - Diesel Fuel	
12	2180832	1	Fitting, Barbed	
13	2180876	1	Fitting, Barbed	
14	2720058	2 ft /0.6m	Hose	
15	3290605	5	Nut, Lock M6 x 1	
16	3291005	6	Nut, Lock M10 x 1.5	
17	5261200	1	Nut, Flange M12 (Grade 10.9)	
18	3841143	1	Keeper, Pin	
20	4811700	10	Washer, M6	
21	4812000	11	Washer, M10	
22	4812100	1	Washer, M12	
23	8405006	2	Clamp	
24	8410013	4	Clamp	
25	8430007	1	Coupling	
26	1001125387	1	Decal - Ultra Low Sulfur Diesel	
27	1001135196	1	Pin	
28	1001142501	1	Fitting, Barbed 90	
29	1001154405	7.25 ft /2.21m	Hose	
30	1001155823	1	Coupling, Quick Disconnect 90	
31	1001165035	17.25 ft /5.26m	Hose	
32	1001166001	1	Engine and Pump Sub-Assembly - Deutz D2.9L4 (Without Arctic Package) (ANSI and CSA Specs) (See ENGINE AND PUMP SUB-ASSEMBLY - DEUTZ D2.9L4 (WITHOUT ARCTIC PACKAGE) (ANSI AND CSA SPECS) for Breakdown)	
33	1001167512	1	Bracket	
34	1001169823	1	Plate, Engine Lock	
35	1001171683	1	Cable, Battery (Red) (Battery Positive to Auxiliary Power Relay)	
36	1001171684	1	Cable, Battery (Black) (Battery Negative to Auxiliary Power Pump)	
37	1001172736	1	Pipe, Exhaust	
38	3422532	1	Pin	
39	0760610	1	Bolt, M6 x 20mm	
40	0760812	1	Bolt, M8 x 25mm	
41	1321716	4	Clamp	
42	1001191832	1	Nut, Rivet M8	
43	4811900	1	Washer, M8	
44	1001181358	1	Harness, Fuel Pump (See ELECTRICAL SECTION for Breakdown)	
45	1001162335	1	Bracket Assembly - Fuel Pump/Filter (See BRACKET ASSEMBLY	

SECTION 3 - ENGINE

ITEM	PART NUMBER	QTY	DESCRIPTION	REV
46	1320022	1	- FUEL PUMP AND FILTER (DEUTZ D2.9L4 ENGINE) for Breakdown) Clamp	

SECTION 3 - ENGINE

FIGURE 3-2. ENGINE AND PUMP SUB-ASSEMBLY - DEUTZ D2.9L4 (WITHOUT ARCTIC PACKAGE)
(ANSI AND CSA SPECS)



ART_1001166001

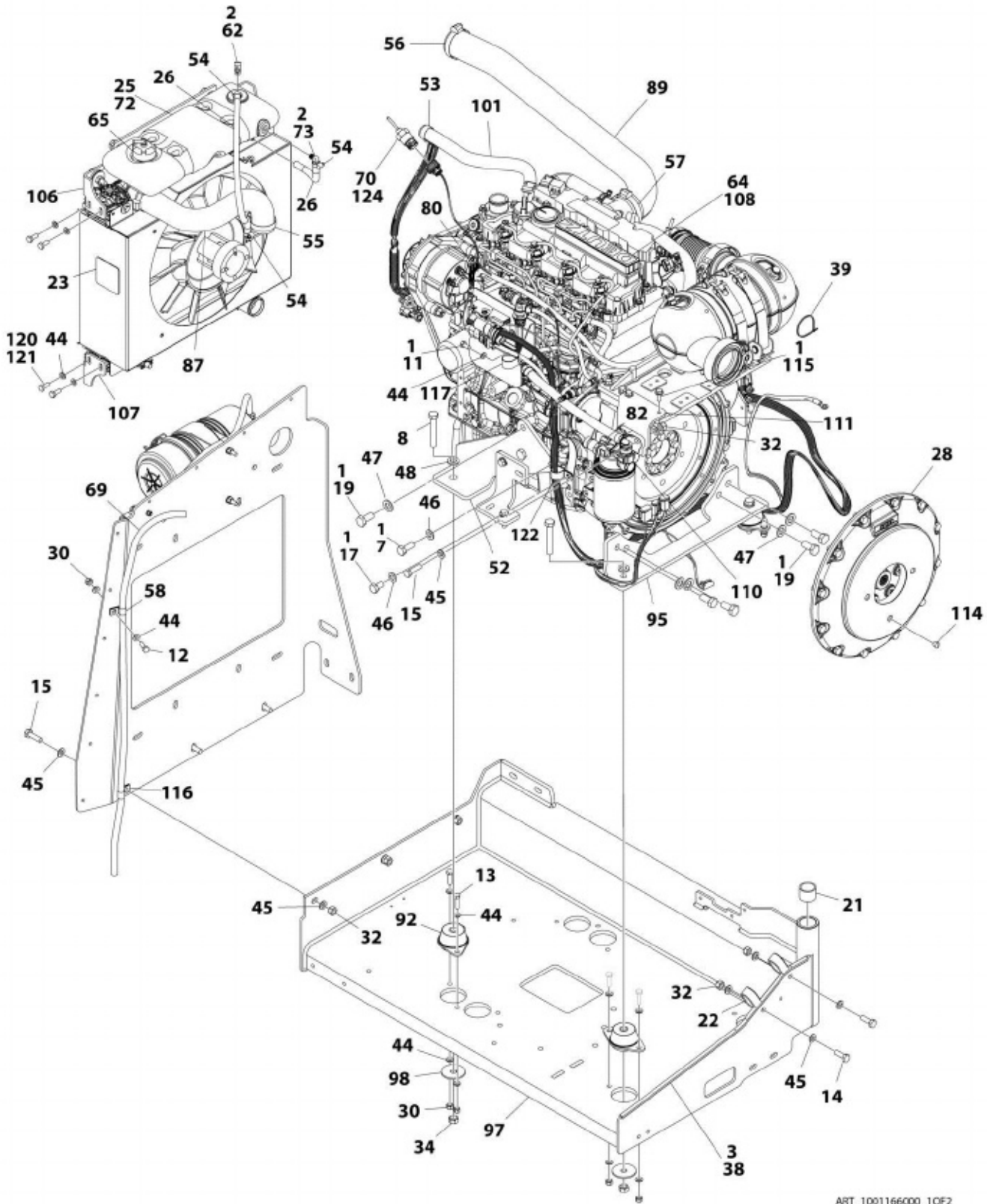
SECTION 3 - ENGINE

**FIGURE 3-2. ENGINE AND PUMP SUB-ASSEMBLY - DEUTZ D2.9L4 (WITHOUT ARCTIC PACKAGE)
(ANSI AND CSA SPECS)**

ITEM	PART NUMBER	QTY	DESCRIPTION	REV
	1001166001	Ref	ENGINE AND PUMP SUB-ASSEMBLY - DEUTZ D2.9L4 (WITHOUT ARCTIC PACKAGE) (ANSI AND CSA SPECS)	C
1	0100011	AR	Compound, Locking	
2	0641812	2	Bolt, 1/2-13 x 1-1/2	
3	3020037	AR	Lube	
4	3600242	1	Gear Pump Assembly (See GEAR PUMP ASSEMBLY for Breakdown)	
5	3790152	1	O-Ring	
6	3931620	2	Capscrew, 3/8-16 x 1-1/4	
7	4891800	2	Washer 1/2 Hardened	
8	4891600	2	Washer, 3/8 Hardened	
9	1001166000	1	Engine Assembly - Deutz D2.9L4 Engine (Without Arctic Package) (ANSI and CSA Specs) (See ENGINE ASSEMBLY - DEUTZ D2.9L4 ENGINE (WITHOUT ARCTIC PACKAGE) (ANSI AND CSA SPECS) for Breakdown)	
10	1001167036	1	Piston Pump Assembly (See PISTON PUMP ASSEMBLY for Breakdown)	
11	1001171953	1	Seal	
12	1001171954	1	Seal	

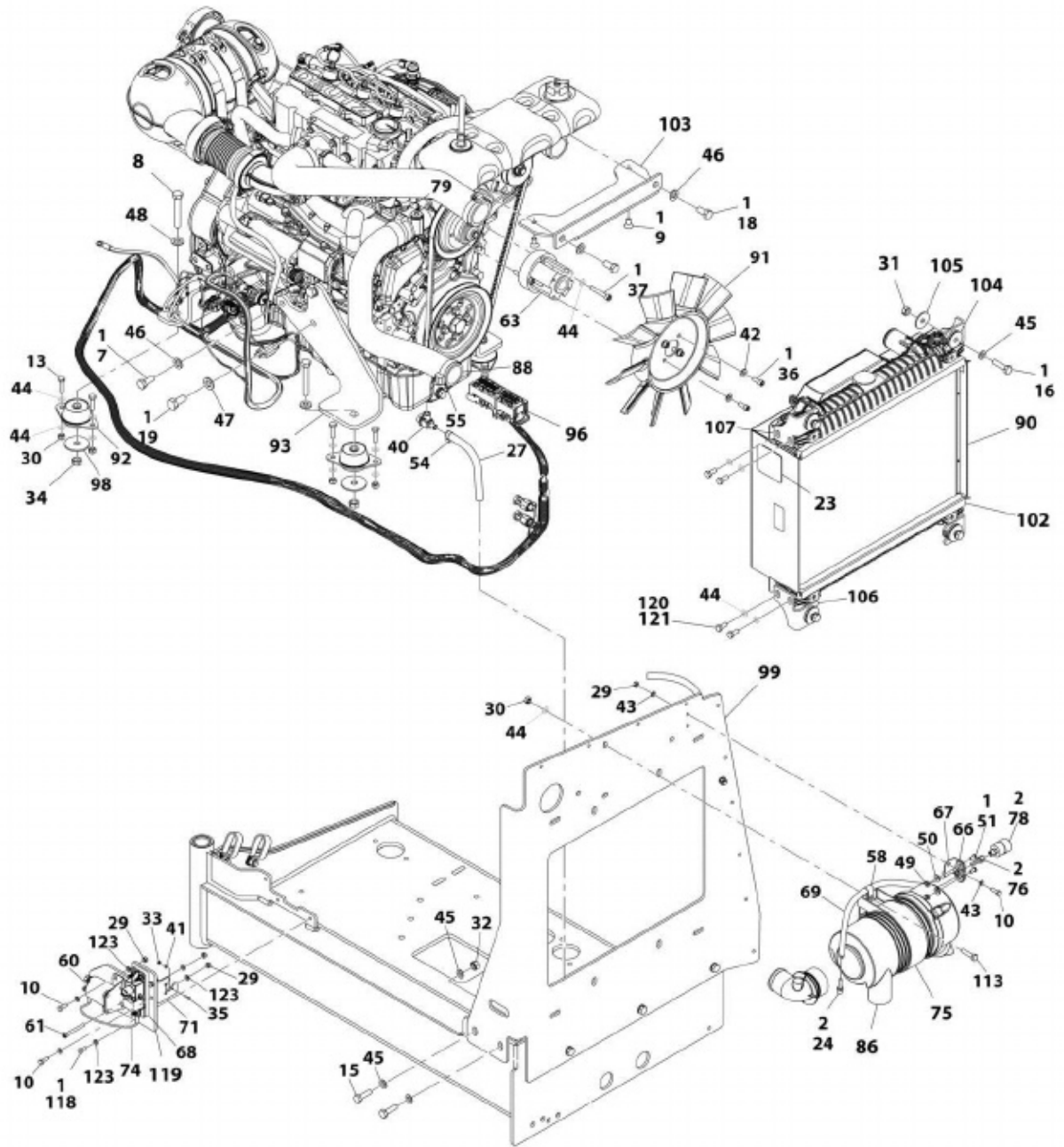
SECTION 3 - ENGINE

FIGURE 3-3. ENGINE ASSEMBLY - DEUTZ D2.9L4 ENGINE (WITHOUT ARCTIC PACKAGE) (ANSI AND CSA SPECS)



ART_1001166000_10F2

SECTION 3 - ENGINE



ART_1001176000_2OF2

SECTION 3 - ENGINE

FIGURE 3-3. ENGINE ASSEMBLY - DEUTZ D2.9L4 ENGINE (WITHOUT ARCTIC PACKAGE) (ANSI AND CSA SPECS)

ITEM	PART NUMBER	QTY	DESCRIPTION	REV
	1001166000	Ref	ENGINE ASSEMBLY - DEUTZ D2.9L4 ENGINE (WITHOUT ARCTIC PACKAGE) (ANSI AND CSA SPECS)	K
1	0100011	AR	Compound, Locking	
2	0100020	AR	Sealant, Pipe	
3	0100081	AR	Adhesive	
7	0711214	AR	Bolt, M12 x 30mm	
8	0711224	4	Bolt, M12 x 80mm (Grade 10.9)	
9	0741606	2	Screw, 3/8-16 x .75	
10	0760610	6	Bolt, M6 x 20mm	
11	0760808	1	Bolt, M8 x 16mm	
12	0760812	1	Bolt, M8 x 25mm	
13	0760814	8	Bolt, M8 x 30mm	
14	0761014	2	Bolt, M10 x 30mm	
15	0761015	7	Bolt, M10 x 35mm	
16	0761016	4	Bolt, M10 x 40mm	
17	0761210	1	Bolt, M12 x 20mm	
18	0761212	2	Bolt, M12 x 25mm	
19	0771414	8	Bolt, M14 x 30mm	
21	0961951	2	Bushing	
22	1321716	2	Clamp	
23	1703162	2	Decal - Caution Fan	
24	2220315	1	Fitting, Straight Barbed	
25	2300004	3 gal/11.3L	Coolant	
26	2720015	2 ft/0.61m	Hose	
27	2720340	8 in/20.3cm	Hose	
28	2902065	1	Pump Coupling Kit (See PUMP COUPLING KIT for Breakdown)	
29	3290605	7	Nut, Lock, M6 x 1	
30	3290805	11	Nut, Lock, M8 x 1.25	
31	3291001	4	Nut, M10 x 1.5	
32	3291005	9	Nut, Lock, M10 x 1.5	
33	3310401	3	Nut, #4-40	
34	3331215	4	Nut, M12 x 1.75	
35	3910408	3	Screw, 4-40 x 1/2	
36	3931512	4	Capscrew, 5/16-18 x 3/4	
37	4031914	4	Bolt, M8 x 50mm	
38	4060805	2.25 ft /0.69m	Trim, Flex Shield	
39	4240099	AR	Tie-Strap	
40	4640751	1	Valve, Oil Drain	
41	4710400	3	Washer, #4	
42	4711500	4	Washer, 5/16	
43	4811700	16	Washer, M6	
44	4811900	35	Washer, M8	
45	4812000	22	Washer, M10	
46	4812100	AR	Washer, M12	
47	4812200	AR	Washer, M14	
48	5241200	4	Washer, M12 Hardened	
49	8305401	2	Nut, Jam, .250-20	

SECTION 3 - ENGINE

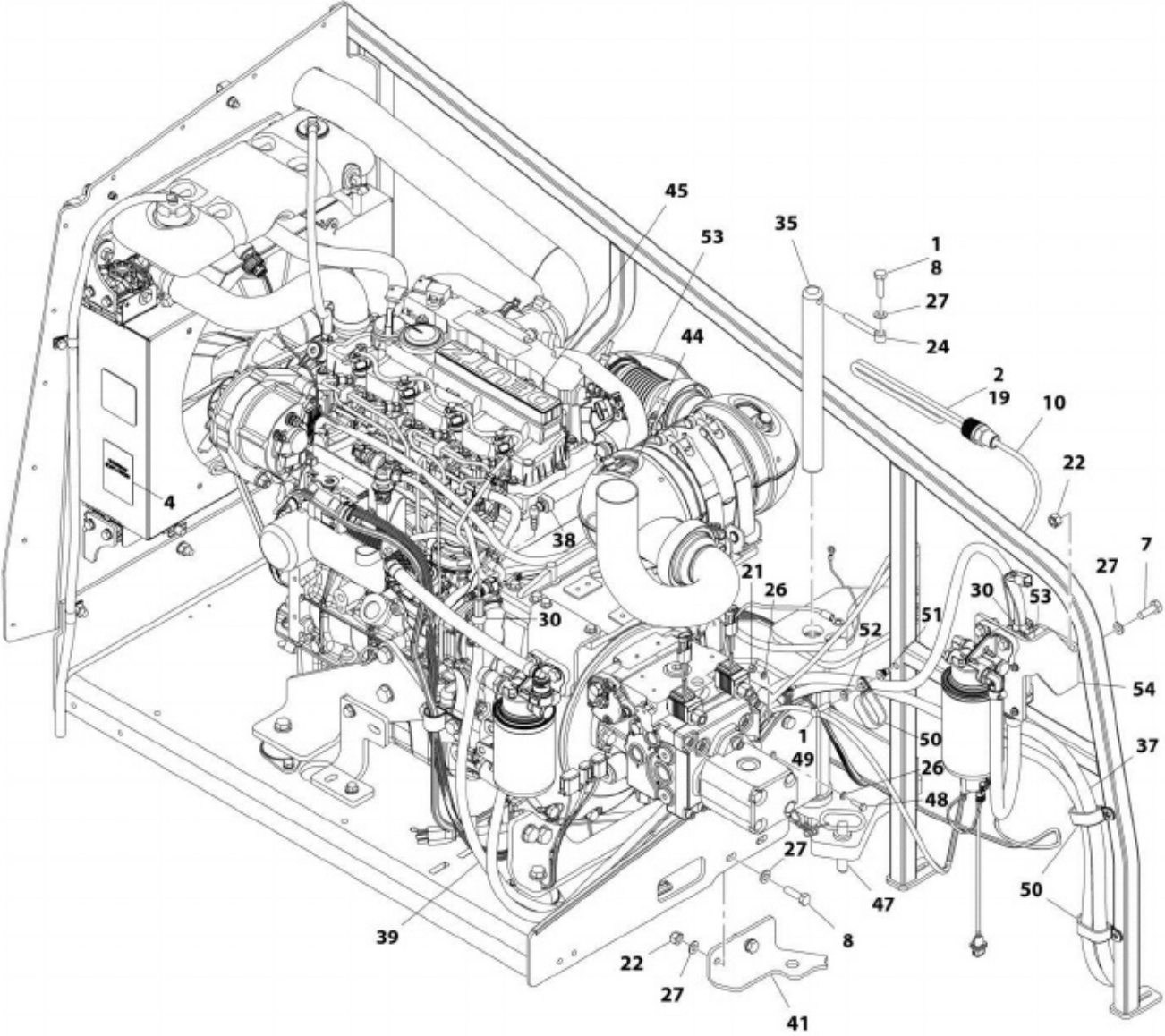
ITEM	PART NUMBER	QTY	DESCRIPTION	REV
50	8307109	2	Washer, .250	
52	1001166922	1	Plate, Engine Mount	
51	8310548	2	Screw, 1/4-20 x 1/2	
53	8405007	2	Clamp	
54	8405009	5	Clamp	
55	8405104	4	Clamp	
56	8405202	1	Clamp	
57	8405204	1	Clamp	
58	8406109	2	Clip	
60	1001117308	1	Relay, 200Amp	
60	3300220	2	Nut	
60	3321001	2	Nut, #10-32	
60	4761000	2	Washer, Lock #10	
60	1001111424	2	Washer	
61	1001118878	1	Bolt, M6 x 55mm	
62	1001134488	1	Fitting, Barbed	
63	1001144116	1	Spacer, Fan	
64	1001136079	2.4 gal /9L	Oil Motor	
65	1001136834	1	Cap, Tank	
66	1001138173	1	Support, Service Indicator	
67	1001138175	1	Bracket, Service Indicator	
68	1001138228	1	Relay, Power Module	
68	70023592	1	Fuse 20Amp	
68	70023593	1	Fuse 30Amp	
69	1001138248	5.25 ft /1.6m	Tube	
70	1001138827	1	Sensor, Coolant Level	
71	1001139240	1	Bracket	
72	1001140535	1	Tank, Surge	
73	1001140564	1	Fitting, Barbed 90	
74	1001141304	1	Harness, Glow Plug	
75	1001141694	1	Clamp, Air Cleaner	
76	1001141995	1	Fitting, Barbed	
78	1001143390	1	Indicator	
79	1001143797	1	Fitting, Barbed	
80	1001178788	1	Cable, Alternator	
82	1001152489	1	Fitting, Barbed 90	
86	1001165388	1	Air Cleaner Assembly	
86	70003783	1	Element, Air Cleaner	
87	1001165405	1	Hose, Upper Radiator	
88	1001165406	1	Hose, Lower Radiator	
89	1001165721	1	Hose, Air Intake	
90	1001165722	1	Radiator	
91	1001165849	1	Fan	
92	1001166718	4	Mount, Motor	
93	1001166921	1	Plate, Engine Mount	
95	1001166924	1	Plate, Engine Mount	
96	1001167108	1	Harness Engine - Deutz D2.9L4 (See ELECTRICAL SECTION for Breakdown)	
97	1001167520	1	Tray, Engine	
98	1001168018	4	Washer, Special	
99	1001168026	1	Plate, Radiator Mounting	

SECTION 3 - ENGINE

ITEM	PART NUMBER	QTY	DESCRIPTION	REV
101	1001168099	1	Hose	
102	1001168166	2	Seal	
103	1001168950	1	Bracket	
104	1001169054	4	Isolator	
105	1001169138	4	Washer, Snubbing	
106	1001169967	2	Bracket	
107	1001170035	2	Bracket	
108	1001170617	1	Engine, Deutz D2.9L4 (See ENGINE COMPONENTS - DEUTZ D2.9L4 ENGINE for Breakdown)	
110	1001177359	1	Hose	
111	1001178876	1	Mount, Fuel Filter	
113	0760815	2	Bolt, M8 x 35mm	
114	3520054	1	Plug	
115	5250810	2	Bolt, M8 x 20mm	
116	8406110	1	Clip	
117	8406201	1	Clip	
118	0760607	3	Bolt, M6 x 14mm	
119	1001179903	1	Bracket	
120	1001180620	AR	Adhesive	
121	0760810	8	Bolt, M8 x 20mm	
122	1001191620	1	Clamp	
123	4811702	12	Washer, M6	
124	1001182997	AR	Adhesive, Permatex	

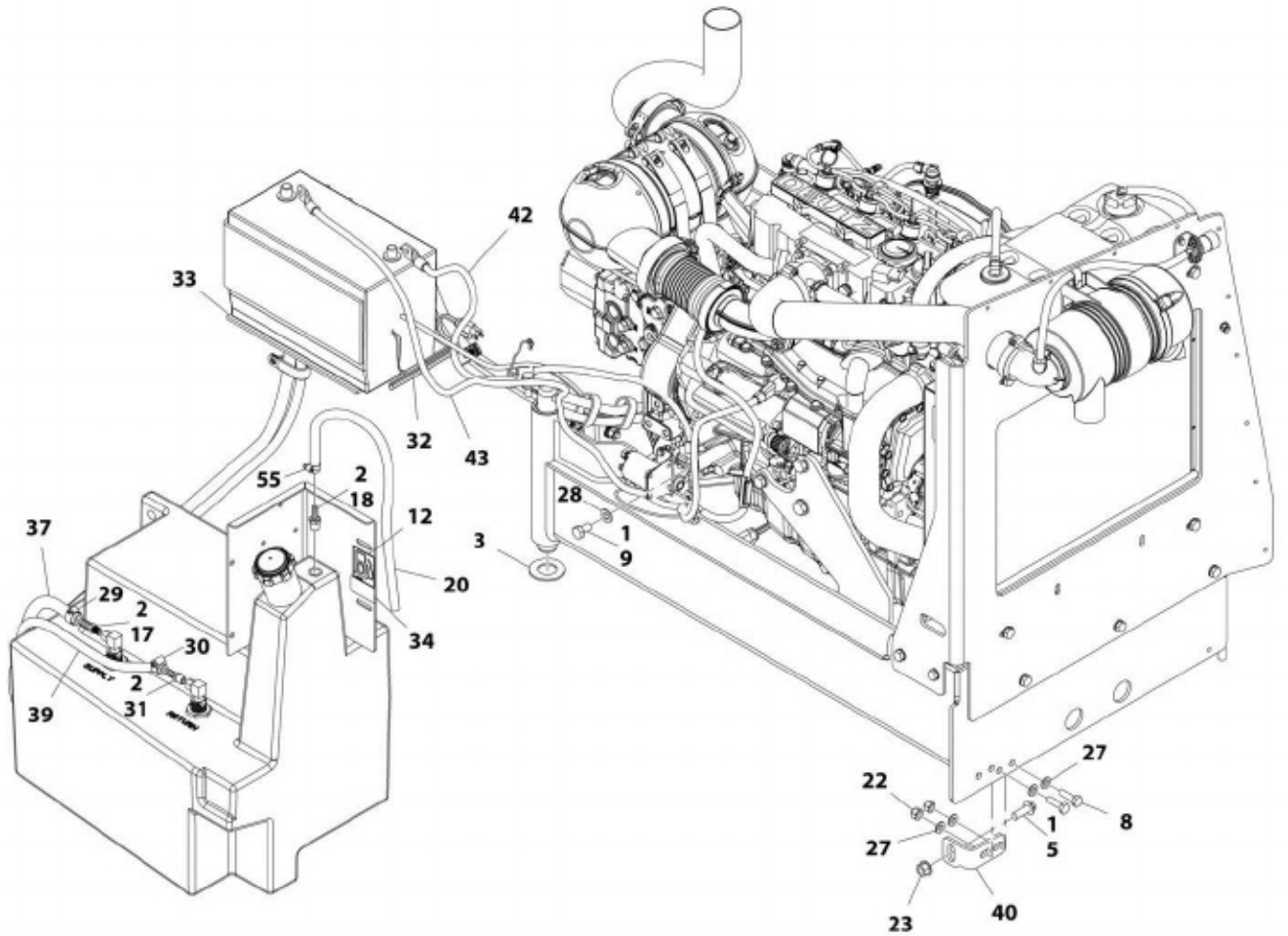
SECTION 3 - ENGINE

FIGURE 3-4. ENGINE INSTALLATION - DEUTZ D2.9L4 ENGINE (WITH ARCTIC PACKAGE) (ANSI AND CSA SPECS)



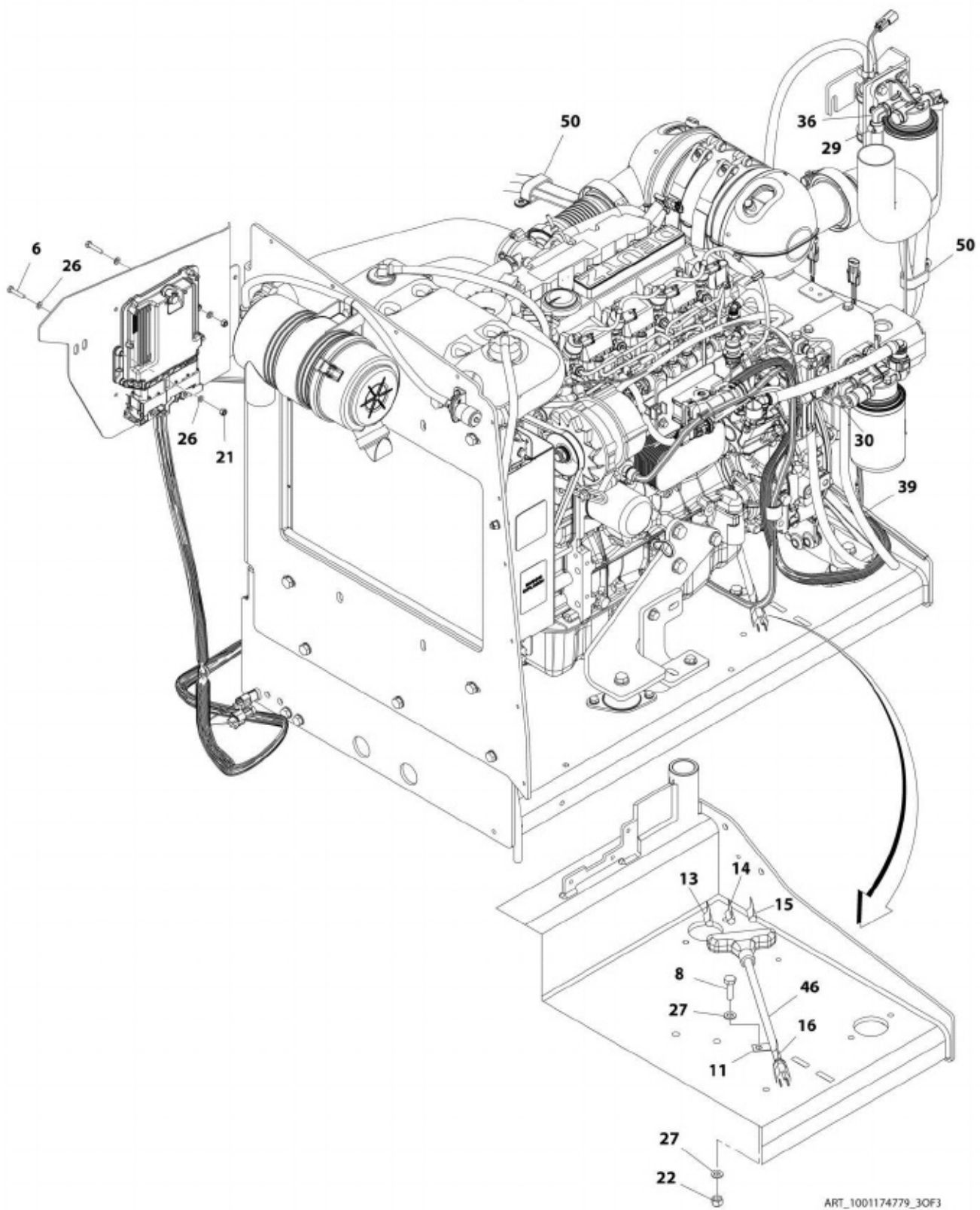
ART_1001174779_10F3

SECTION 3 - ENGINE



ART_1001174779_2OF3

SECTION 3 - ENGINE



ART_1001174779_3OF3

SECTION 3 - ENGINE

FIGURE 3-4. ENGINE INSTALLATION - DEUTZ D2.9L4 ENGINE (WITH ARCTIC PACKAGE) (ANSI AND CSA SPECS)

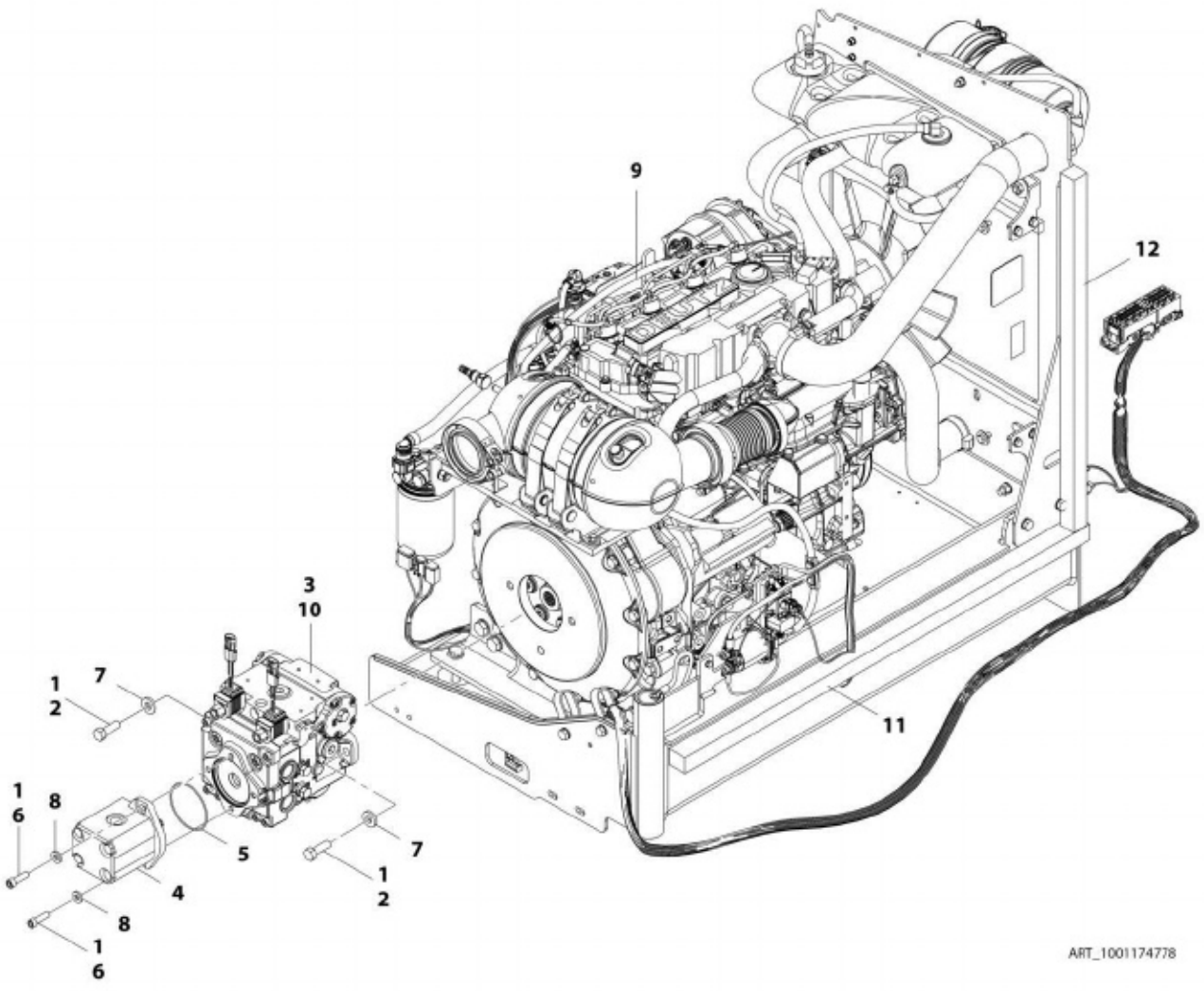
ITEM	PART NUMBER	QTY	DESCRIPTION	REV
	1001174779	Ref	ENGINE INSTALLATION - DEUTZ D2.9L4 ENGINE (WITH ARCTIC PACKAGE) (ANSI AND CSA SPECS)	E
1	0100011	AR	Compound, Locking	
2	0100020	AR	Sealant, Pipe	
3	0440162	1	Bearing	
4	1704972	1	Decal - Warning Explosion/Fire	
5	5251215	1	Bolt, M12 x 35mm	
6	0760614	4	Bolt, M6 x 30mm	
7	0761014	2	Bolt, M10 x 30mm	
8	0761015	6	Bolt, M10 x 35mm	
9	0761210	1	Bolt, M12 x 20mm	
10	1060625	1	Cable, Immersion Heater (SN 0300199221 through 0300206616)	
11	1320223	1	Clamp	
12	1701505	1	Decal - Diesel Fuel	
13	1702941	1	Decal - Battery Heater	
14	1702942	1	Decal - Engine Block Heater	
15	1702943	1	Decal - Hydraulic Tank Heater	
16	1702944	1	Decal - Heater Cord	
17	2180832	1	Fitting, Barbed	
18	2180876	1	Fitting, Barbed	
19	2580050	1	Heater, Hydraulic Tank (SN 0300199221 through 0300206616)	
19	1001188972	1	Heater, Hydraulic Tank (SN 0300206617 to Present)	
20	2720058	2 ft /0.61m	Hose	
21	3290605	5	Nut, Lock M6 x 1	
22	3291005	7	Nut, Lock M10 x 1.5	
23	5261200	1	Nut, Flange M12 (Grade 10.9)	
24	3841143	1	Keeper, Pin	
26	4811700	10	Washer, M6	
27	4812000	13	Washer, M10	
28	4812100	1	Washer, M12	
29	8405006	2	Clamp	
30	8410013	4	Clamp	
31	8430007	1	Coupling	
32	1001097000	1	Heater, Battery (SN 0300199221 through 0300206616)	
32	2580024	1	Heater, Battery (SN 0300206617 to Present)	
33	1001119278	1	Insulate	
34	1001125387	1	Decal - Ultra Low Sulfur Fuel	
35	1001135196	1	Pin	
36	1001142501	1	Fitting, Barbed 90	
37	1001154405	7.25 ft /2.21m	Hose	
38	1001155823	1	Coupling, Quick Disconnect 90	
39	1001165035	17.25 ft /5.26m	Hose	
40	1001167512	1	Bracket, Engine Tray	
41	1001169823	1	Plate, Engine Lock	
42	1001171683	1	Cable, Battery (Red) (Battery Positive to Auxiliary Power Relay)	
43	1001171684	1	Cable, Battery (Black) (Battery Negative to Auxiliary Power Pump)	
44	1001172736	1	Pipe, Exhaust	

SECTION 3 - ENGINE

ITEM	PART NUMBER	QTY	DESCRIPTION	REV
45	1001174778	1	Engine and Pump Sub-Assembly - Deutz D2.9L4 (With Arctic Package) (ANSI and CSA Specs) (See ENGINE AND PUMP SUB-ASSEMBLY - DEUTZ D2.9L4 (WITH ARCTIC PACKAGE) (ANSI AND CSA SPECS) for Breakdown)	
46	1060626	1	Plug, 3 Way	
47	3422532	1	Pin	
48	0760610	1	Bolt, M6 x 20mm	
49	0760812	1	Bolt, M8 x 25mm	
50	1321716	4	Clamp	
51	1001191832	1	Nut, Rivet M8	
52	4811900	1	Washer, M8	
53	1001181358	1	Harness, Fuel Pump (See ELECTRICAL SECTION for Breakdown)	
54	1001162335	1	Bracket Assembly - Fuel Pump/Filter (See BRACKET ASSEMBLY - FUEL PUMP AND FILTER (DEUTZ D2.9L4 ENGINE) for Breakdown)	
55	1320022	1	Clamp	

SECTION 3 - ENGINE

FIGURE 3-5. ENGINE AND PUMP SUB-ASSEMBLY - DEUTZ D2.9L4 (WITH ARCTIC PACKAGE) (ANSI AND CSA SPECS)



ART_1001174778

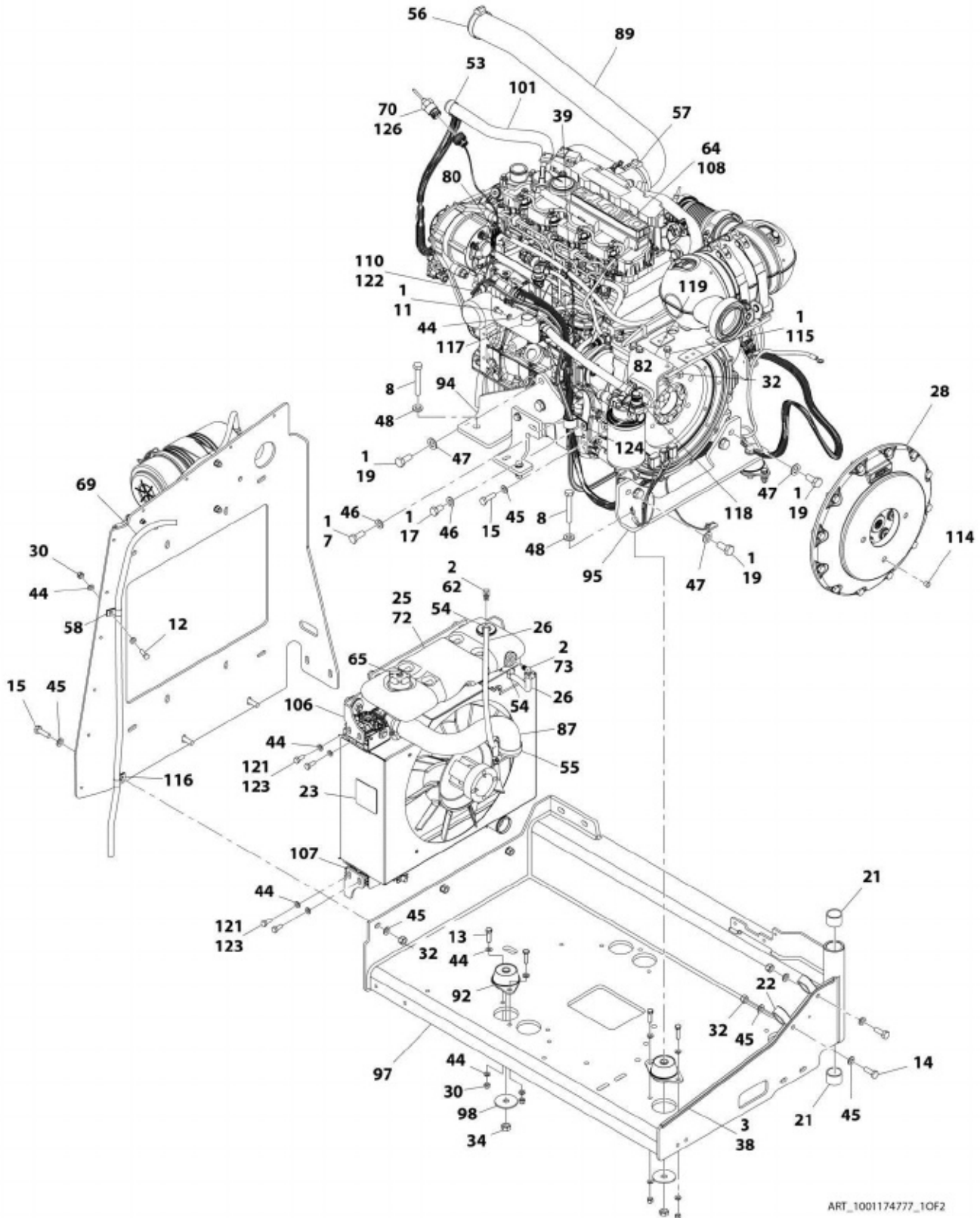
SECTION 3 - ENGINE

FIGURE 3-5. ENGINE AND PUMP SUB-ASSEMBLY - DEUTZ D2.9L4 (WITH ARCTIC PACKAGE) (ANSI AND CSA SPECS)

ITEM	PART NUMBER	QTY	DESCRIPTION	REV
	1001174778	Ref	ENGINE AND PUMP SUB-ASSEMBLY - DEUTZ D2.9L4 (WITH ARCTIC PACKAGE) (ANSI AND CSA SPECS)	C
1	0100011	AR	Compound, Locking	
2	0641812	2	Bolt, 1/2-13 x 1-1/2	
3	3020037	AR	Lube	
4	3600242	1	Gear Pump Assembly (See GEAR PUMP ASSEMBLY for Breakdown)	
5	3790152	1	O-Ring	
6	3931620	2	Capscrew, 3/8-16 x 1-1/4	
7	4891800	2	Washer, 1/2 Hardened	
8	4891600	2	Washer, 3/8 ID Hardened	
9	1001174777	1	Engine Assembly - Deutz D2.9L4 Engine (With Arctic Package) (ANSI and CSA Specs) (See ENGINE ASSEMBLY - DEUTZ D2.9L4 ENGINE (WITH ARCTIC PACKAGE) (ANSI AND CSA SPECS) for Breakdown)	
10	1001167036	1	Piston Pump Assembly (See PISTON PUMP ASSEMBLY for Breakdown)	
11	1001171953	1	Seal	
12	1001171954	1	Seal	

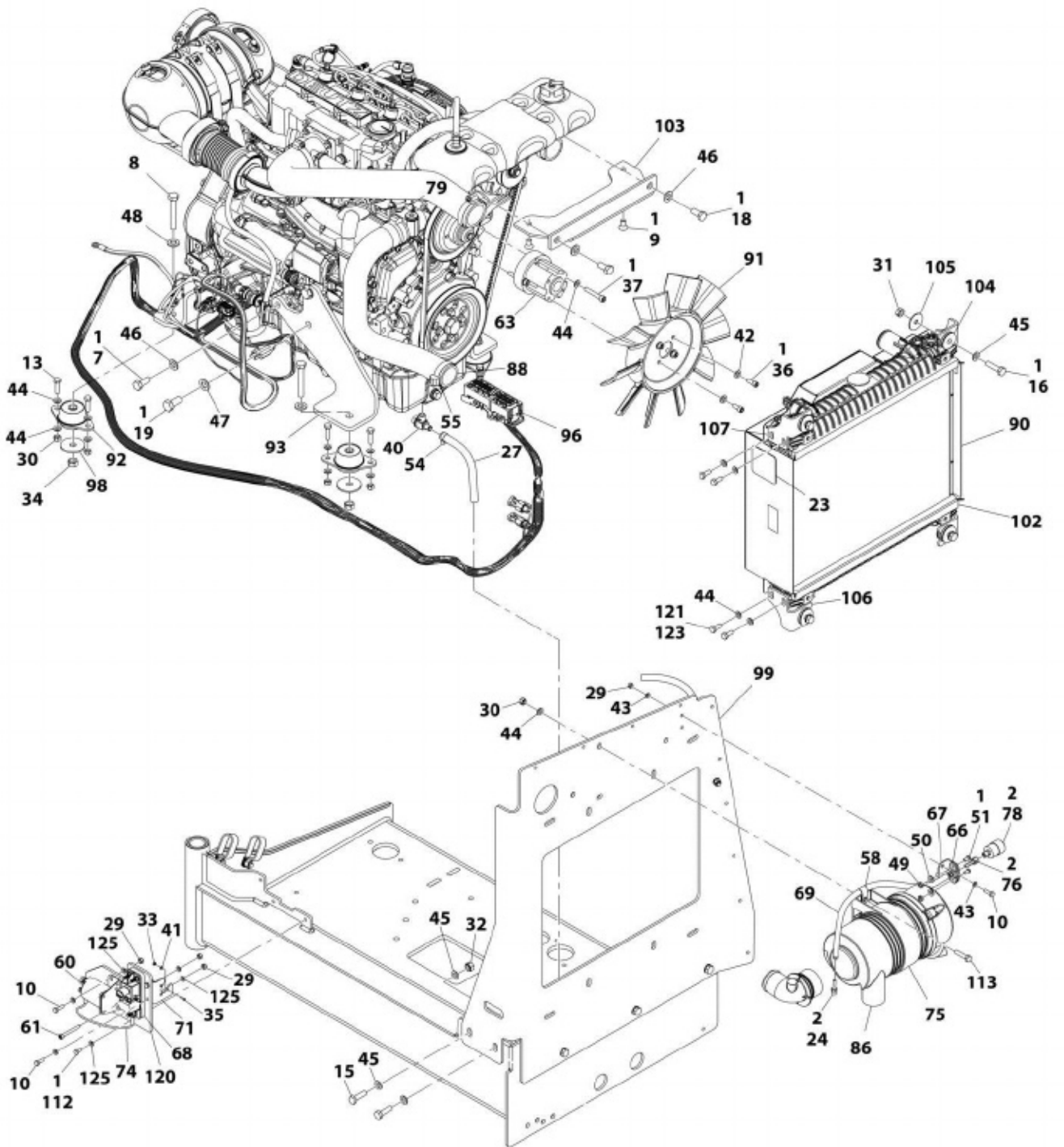
SECTION 3 - ENGINE

FIGURE 3-6. ENGINE ASSEMBLY - DEUTZ D2.9L4 ENGINE (WITH ARCTIC PACKAGE) (ANSI AND CSA SPECS)



ART_1001174777_10F2

SECTION 3 - ENGINE



ART_1001174777_2OF2

SECTION 3 - ENGINE

FIGURE 3-6. ENGINE ASSEMBLY - DEUTZ D2.9L4 ENGINE (WITH ARCTIC PACKAGE) (ANSI AND CSA SPECS)

ITEM	PART NUMBER	QTY	DESCRIPTION	REV
	1001174777	Ref	ENGINE ASSEMBLY - DEUTZ D2.9L4 ENGINE (WITH ARCTIC PACKAGE) (ANSI AND CSA SPECS)	H
1	0100011	AR	Compound, Locking	
2	0100020	AR	Sealant, Pipe	
3	0100081	AR	Adhesive	
7	0711214	AR	Bolt, M12 x 30mm	
8	0711224	4	Bolt, M12 x 80mm	
9	0741606	2	Screw, 3/8-16 x .75	
10	0760610	6	Bolt, M6 x 20mm	
11	0760808	1	Bolt, M8 x 16mm	
12	0760812	1	Bolt, M8 x 25mm	
13	0760814	8	Bolt, M8 x 30mm	
14	0761014	2	Bolt, M10 x 30mm	
15	0761015	7	Bolt, M10 x 35mm	
16	0761016	4	Bolt, M10 x 40mm	
17	0761210	1	Bolt, M12 x 20mm	
18	0761212	2	Bolt, M12 x 25mm	
19	0771414	8	Bolt, M14 x 30mm	
21	0961951	2	Bushing	
22	1321716	2	Clamp	
23	1703162	2	Decal - Caution Fan	
24	2220315	1	Fitting, Barbed	
25	2300041	3 gl /11.3L	Coolant	
26	2720015	2 ft /0.61m	Hose	
27	2720340	8 in /0.2m	Hose	
28	2902065	1	Pump Coupling Kit (See PUMP COUPLING KIT for Breakdown)	
29	3290605	7	Nut, Lock M6 x 1	
30	3290805	11	Nut, Lock M8 x 1.25	
31	3291001	4	Nut, M10 x 1.5	
32	3291005	9	Nut, Lock M10 x 1.5	
33	3310401	3	Nut, #4-40	
34	3331215	4	Nut, M12 x 1.75	
35	3910408	3	Screw, 4-40 x 1/2	
36	3931512	4	Capscrew, 5/16-18 x 3/4	
37	4031914	4	Bolt, M8 x 50mm	
38	4060805	2.25 ft /0.69m	Trim, Flex Shield	
39	4240099	AR	Tie-Strap	
40	4640751	1	Valve, Oil Drain	
41	4710400	3	Washer, #4	
42	4711500	4	Washer, 5/16	
43	4811700	4	Washer, M6	
44	4811900	35	Washer, M8	
45	4812000	22	Washer, M10	
46	4812100	AR	Washer, M12	
47	4812200	AR	Washer, M14	
48	5241200	4	Washer, M12 Hardened	
49	8305401	2	Nut, Jam .250-20	

SECTION 3 - ENGINE

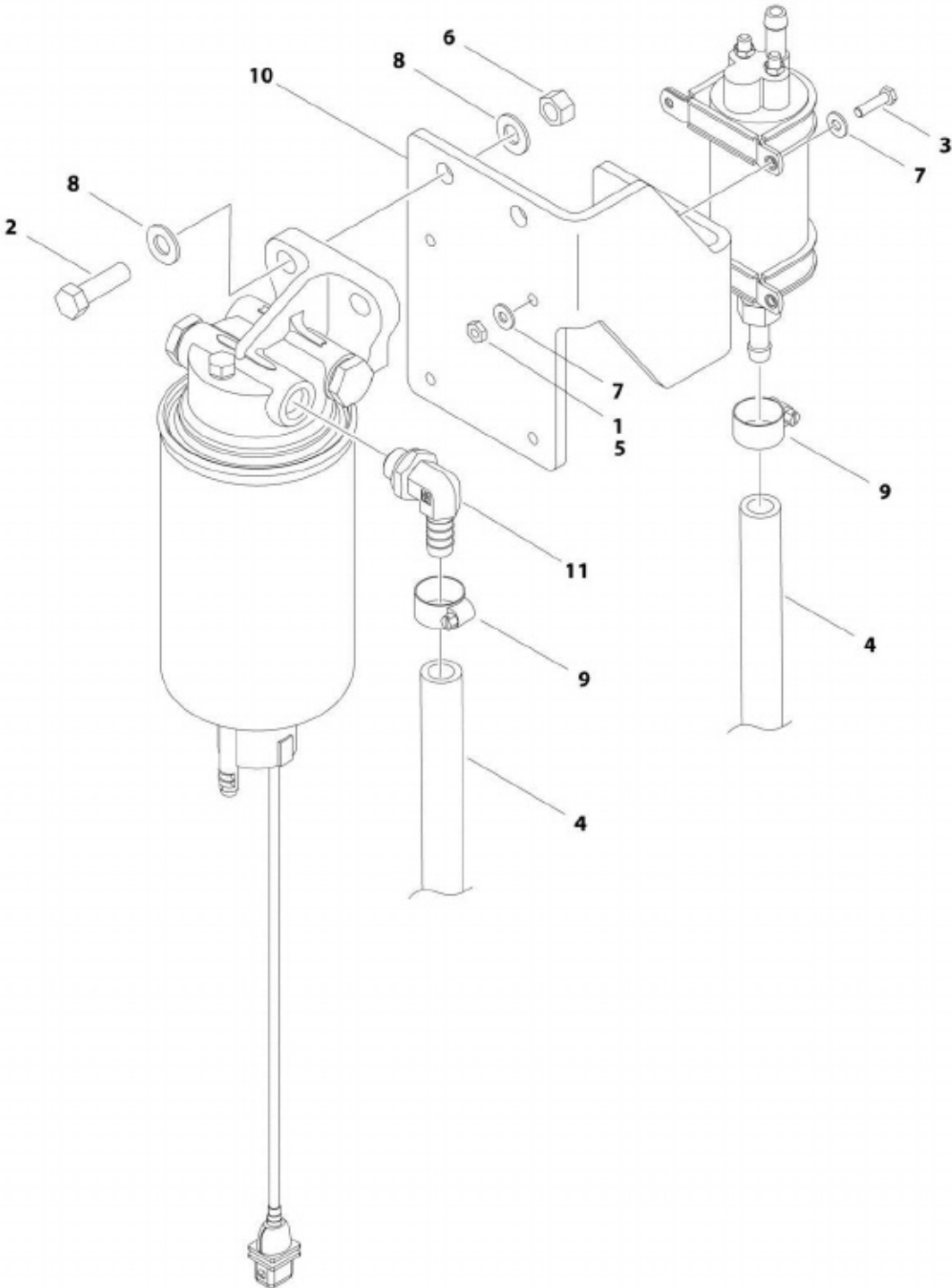
ITEM	PART NUMBER	QTY	DESCRIPTION	REV
50	8307109	2	Washer, .250	
51	8310548	2	Screw, 1/4 NC x 1/2	
53	8405007	2	Clamp	
54	8405009	5	Clamp	
55	8405104	4	Clamp	
56	8405202	1	Clamp	
57	8405204	1	Clamp	
58	8406109	2	Clip	
60	1001117308	1	Relay, 200Amp	
60	3300220	2	Nut	
60	3321001	2	Nut, #10-32	
60	4761000	2	Washer, Lock #10	
60	1001111424	2	Washer	
61	1001118878	1	Bolt, M6 x 55mm	
62	1001134488	1	Fitting, Barbed 90	
63	1001144116	1	Spacer, Fan	
64	1001136172	2.4 gal /9L	Oil, Motor	
65	1001136834	1	Cap, Tank	
66	1001138173	1	Support, Service Indicator	
67	1001138175	1	Bracket, Service Indicator	
68	1001138228	1	Relay, Power Module	
68	70023592	1	Fuse 20Amp	
68	70023593	1	Fuse 30Amp	
69	1001138248	5.25 ft /1.6m	Tube	
70	1001138827	1	Sensor, Coolant Level	
71	1001139240	1	Bracket	
72	1001140535	1	Tank, Surge	
73	1001140564	1	Fitting, Barbed 90	
74	1001141304	1	Harness, Glow Plug	
75	1001141694	1	Clamp, Air Cleaner	
76	1001141995	1	Fitting, Barbed	
78	1001143390	1	Indicator	
79	1001143797	1	Fitting, Barbed	
80	1001178788	1	Cable, Alternator	
82	1001152489	1	Fitting, Barbed 90	
86	1001165388	1	Air Cleaner Assembly	
86	70003783	1	Element, Air Cleaner	
87	1001165405	1	Hose, Upper Radiator	
88	1001165406	1	Hose, Lower Radiator	
89	1001165721	1	Hose, Air Intake	
90	1001165722	1	Radiator	
91	1001165849	1	Fan	
92	1001166718	4	Mount, Motor	
93	1001166921	1	Plate, Engine Mount	
94	1001166922	1	Plate, Engine Mount	
95	1001166924	1	Plate, Engine Mount	
96	1001167108	1	Harness Engine - Deutz D2.9L4 (See ELECTRICAL SECTION for Breakdown)	
97	1001167520	1	Tray, Engine	
98	1001168018	4	Washer, Special	
99	1001168026	1	Plate, Radiator Mounting	

SECTION 3 - ENGINE

ITEM	PART NUMBER	QTY	DESCRIPTION	REV
101	1001168099	1	Hose	
102	1001168166	2	Seal	
103	1001168950	1	Bracket	
104	1001169054	4	Isolator	
105	1001169138	4	Washer, Snubbing	
106	1001169967	2	Bracket	
107	1001170035	2	Bracket	
108	1001170617	1	Engine, Deutz D2.9L4 (See ENGINE COMPONENTS - DEUTZ D2.9L4 ENGINE for Breakdown)	
110	1001140312	1	Heater, Engine Block	
112	0760607	3	Bolt, M6 x 14mm	
113	0760815	2	Bolt, M8 x 35mm	
114	3520054	1	Plug	
115	5250810	2	Bolt, M8 x 20mm	
116	8406110	1	Clip	
117	8406201	1	Clip	
118	1001177359	1	Hose	
119	1001178876	1	Mount, Fuel Filter	
120	1001179903	1	Bracket	
121	1001180620	AR	Adhesive	
122	1001181895	AR	Adhesive	
123	0760810	8	Bolt, M8 x 20mm	
124	1001191620	1	Clamp	
125	4811702	12	Washer, M6	
126	1001182997	AR	Adhesive, Permatex	

SECTION 3 - ENGINE

FIGURE 3-7. BRACKET ASSEMBLY - FUEL PUMP AND FILTER (DEUTZ D2.9L4 ENGINE)



ART_1001162335

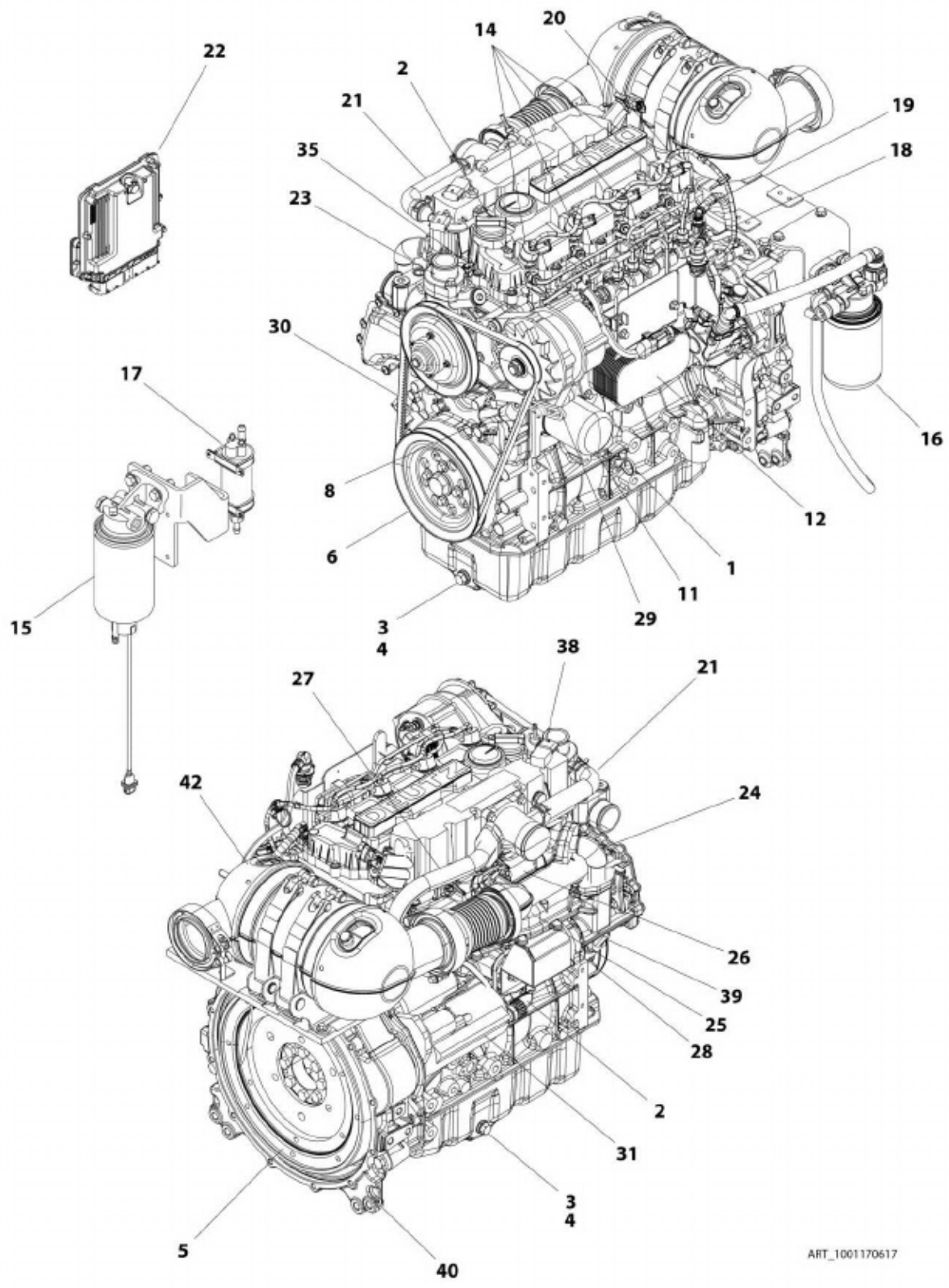
SECTION 3 - ENGINE

FIGURE 3-7. BRACKET ASSEMBLY - FUEL PUMP AND FILTER (DEUTZ D2.9L4 ENGINE)

ITEM	PART NUMBER	QTY	DESCRIPTION	REV
	1001162335	Ref	BRACKET ASSEMBLY - FUEL PUMP AND FILTER (DEUTZ D2.9L4 ENGINE)	D
1	0100011	AR	Compound, Locking	
2	0641610	2	Bolt, 3/8-16 x 1-1/4	
3	0721006	4	Bolt, #10-24 x 3/4	
4	1001154405	1.5 ft /0.4m	Hose	
5	3311001	4	Nut, #10-20	
6	3311605	2	Nut, Lock 3/8-16	
7	4711000	8	Washer #10	
8	4711600	4	Washer, 3/8	
9	8405006	2	Clamp	
10	1001141870	1	Plate, Fuel Pump Mounting	
11	1001142501	1	Fitting, Elbow Barbed	

SECTION 3 - ENGINE

FIGURE 3-8. ENGINE COMPONENTS - DEUTZ D2.9L4 ENGINE



ART_1001170617

SECTION 3 - ENGINE

FIGURE 3-8. ENGINE COMPONENTS - DEUTZ D2.9L4 ENGINE

ITEM	PART NUMBER	QTY	DESCRIPTION	REV
	1001170617	Ref	ENGINE COMPONENTS - DEUTZ D2.9L4 ENGINE	C
1	70024904	1	Dipstick	
1	70024905	1	O-Ring	
2	7020465	2	Cap, Filler	
3	70025088	2	Plug, Oil	
4	7020404	2	Ring, Sealing	
5	70001870	1	Flywheel	
5	7024579	1	Ring, Gear	
6	70025198	1	Pulley, Crank	
7	70024906	1	Gasket, Head (Not Shown)	
7	70025195	1	Gasket, Valve Cover (Not Shown)	
7	70005171	1	Gasket, Valve Cover (Not Shown)	
8	70025076	1	Valve	
8	70025091	1	Plug	
8	70025176	1	Spring	
8	70025082	1	Seal	
9	70004280	1	Seal, Crankshaft (Front) (Not Shown)	
9	70002718	1	Seal, Crankshaft (Rear) (Not Shown)	
10	70005172	1	Pump, Oil Lube (Not Shown)	
10	70025135	1	O-Ring (Not Shown)	
10	70005173	1	Gasket (Not Shown)	
11	7016331	1	Filter, Oil	
12	70004275	1	Cooler, Oil	
12	70024925	1	Gasket	
13	70025171	1	Pipe, Oil Suction (Not Shown)	
14	70004281	4	Injector, Fuel	
14	70025140	4	Washer, Sealing	
14	70025146	4	Clamp (Top of Injector)	
14	70025145	4	O-Ring	
14	70025154	4	Shoe, Clamping	
15	70024961	1	Bracket, Fuel Filter	
15	70025153	1	Filter, Fuel	
15	70024513	1	Cable, Sensor	
15	70025239	1	Seal	
16	70025160	1	Bracket, Fuel Filter	
16	70025161	1	Filter, Fuel	
16	70024504	1	Sensor, Pressure	
16	70024920	1	O-Ring	
16	70004513	2	Ring, Sealing	
17	70005174	1	Pump, Fuel	
17	70025144	2	Clamp	
18	70025151	1	Rail, Fuel	
18	70025235	1	Repair Kit	
18	70025240	1	O-Ring	
19	70025182	1	Line, Fuel (Cylinder 1 + 2)	
19	70025183	1	Line, Fuel (Cylinder 3 + 4)	
19	70025184	1	Line, Fuel (Fuel Rail to Pump)	
20	70024502	1	Fuel Return pipe	
20	70025185	1	Hose, Fuel	
20	70025101	2	Clamp	

SECTION 3 - ENGINE

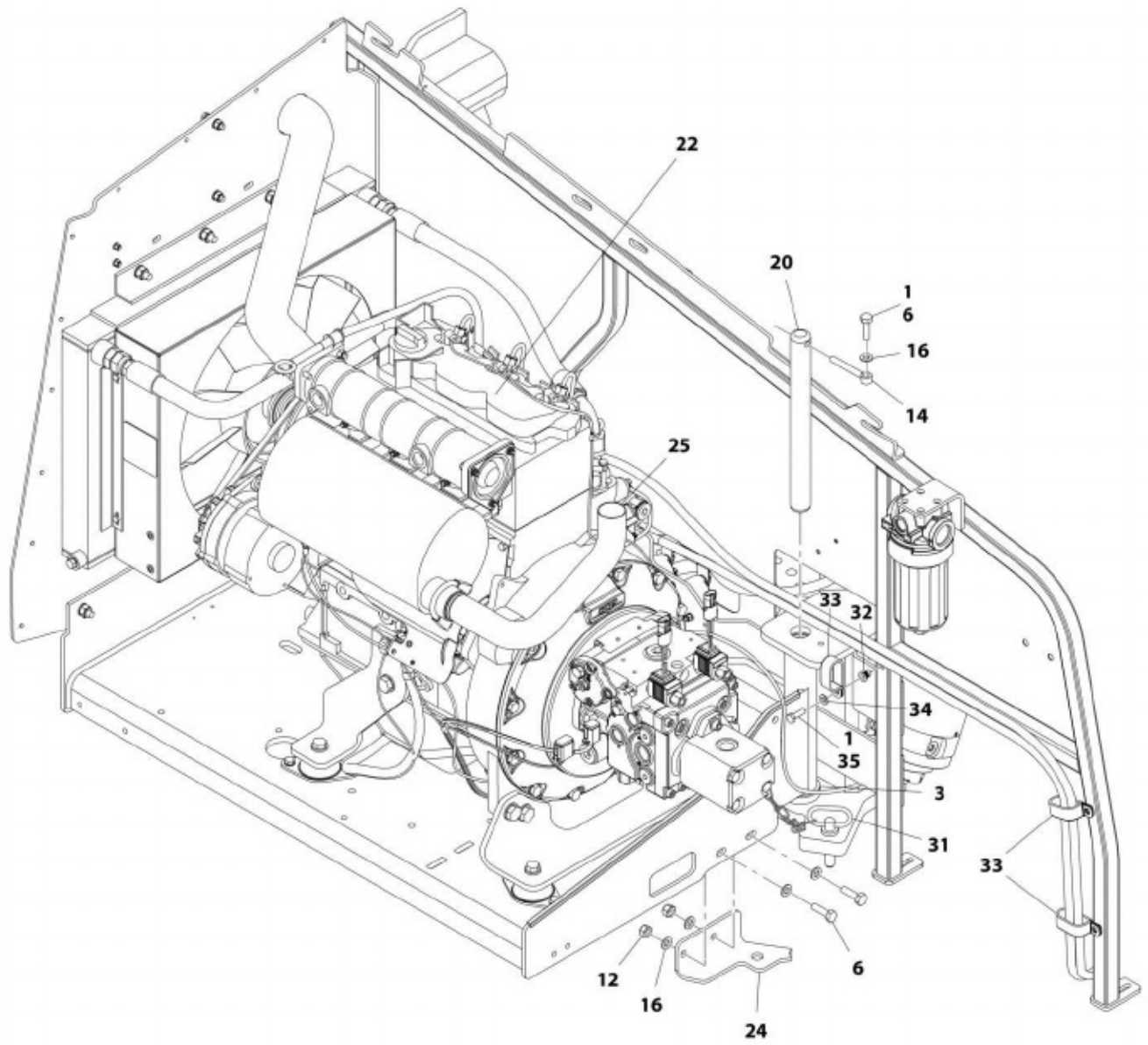
ITEM	PART NUMBER	QTY	DESCRIPTION	REV
20	70025109	2	Clamp	
20	70025115	1	Clamp, Pipe	
20	70025133	1	Hose	
20	70025148	1	Connector, Plug-in	
21	70005182	1	Elbow, Air Charger	
21	70005176	1	O-Ring	
21	70005177	1	Gasket	
21	70005180	1	Line, Breather	
21	70005181	1	O-Ring	
21	70005183	1	Line, Breather	
21	70025111	2	Clamp	
22	70025210	1	Module, ECU	
23	70024910	1	Pump, Water	
23	70025084	1	Plug	
23	7020492	1	O-Ring	
23	70025200	1	Seal	
23	70024473	1	Thermostat	
23	70005184	1	O-Ring (Thermostat)	
23	70025142	1	Cover, Thermostat	
23	70025159	1	Pulley, Water Pump	
24	70025177	1	Pipe	
24	70025179	1	Gasket	
25	70005185	1	Manifold	
25	70024912	1	Gasket	
26	70004282	1	Manifold, Exhaust	
26	70025164	1	Gasket, Exhaust Manifold	
27	70005186	1	Pipe	
27	70025179	1	Gasket (Two Hole)	
27	70025180	1	Gasket (Three Hole)	
28	70004283	1	Module, ERG	
28	70005188	1	Valve, Control	
28	70005189	1	Parts, Service	
29	70024914	1	Alternator	
29	70025149	1	Regulator	
29	70025131	1	Fan	
29	70025150	1	Pulley	
29	70025191	1	Plate, Retaining	
29	70025201	1	Bracket, Alternator	
30	70024913	1	V-Belt	
31	70024915	1	Starter	
32	70025231	1	Harness, Glow Plug (Not Shown)	
32	70025233	1	Connector (Not Shown)	
33	70025221	1	Connector, Plug-In (Not Shown)	
33	70025781	1	Connector, Plug-In (Not Shown)	
33	70025779	1	Ring, Fastening (Not Shown)	
34	70004284	1	Harness, Engine (Not Shown)	
34	70025165	1	Plate, Retaining (Not Shown)	
34	70025216	1	Adapter (Not Shown)	
34	70025215	1	Bracket, Fixing (Not Shown)	
34	70025228	2	Bracket (Not Shown)	
34	70025226	1	Connector, Plug-In (Not Shown)	

SECTION 3 - ENGINE

ITEM	PART NUMBER	QTY	DESCRIPTION	REV
34	70025220	5	Connector, Plug-In (Not Shown)	
34	70025222	3	Connector, Plug-In (Not Shown)	
34	70025223	1	Connector, Plug-In (Not Shown)	
34	70025219	1	Connector, Plug-In (Not Shown)	
34	70025238	1	Connector, Plug-In (Not Shown)	
34	70025221	2	Connector, Plug-In (Not Shown)	
34	70025217	8	Clamp (Not Shown)	
34	70025213	2	Clip (Not Shown)	
34	70025209	1	Bracket (Not Shown)	
34	70025225	1	Support (Not Shown)	
34	70025218	3	Clamp (Not Shown)	
34	70025237	1	Connector, Plug-In (Not Shown)	
34	70025214	1	Cap (Not Shown)	
34	70025224	2	Clamp (Not Shown)	
34	70025166	1	Support, Harness (Not Shown)	
34	70025211	1	Plate, Retaining (Not Shown)	
34	70025189	1	Plate, Retaining (Not Shown)	
34	70025236	1	Support, Harness (Not Shown)	
35	70024918	1	Sender, Temperature	
36	70024504	1	Sensor, Pressure (Not Shown - Located Left Side Front)	
36	70024920	1	O-Ring (Not Shown)	
37	70024503	1	Sensor, Speed (Not Shown)	
37	70005191	1	O-Ring	
38	70024507	1	Sensor, Pressure	
38	70025120	1	Seal	
39	70024503	1	Sensor, Speed	
39	70024917	1	Seal	
40	70025192	1	Housing	
40	70025113	2	Pin	
41	70000345	4	Plug, Glow (Not Shown)	
42	70005446	1	Outlet, Muffler	
42	70025241	1	Clip	
42	70025242	2	Gasket	
42	70004504	1	Compensator	
42	70024512	1	Clamp	
42	70025877	1	Clamp	

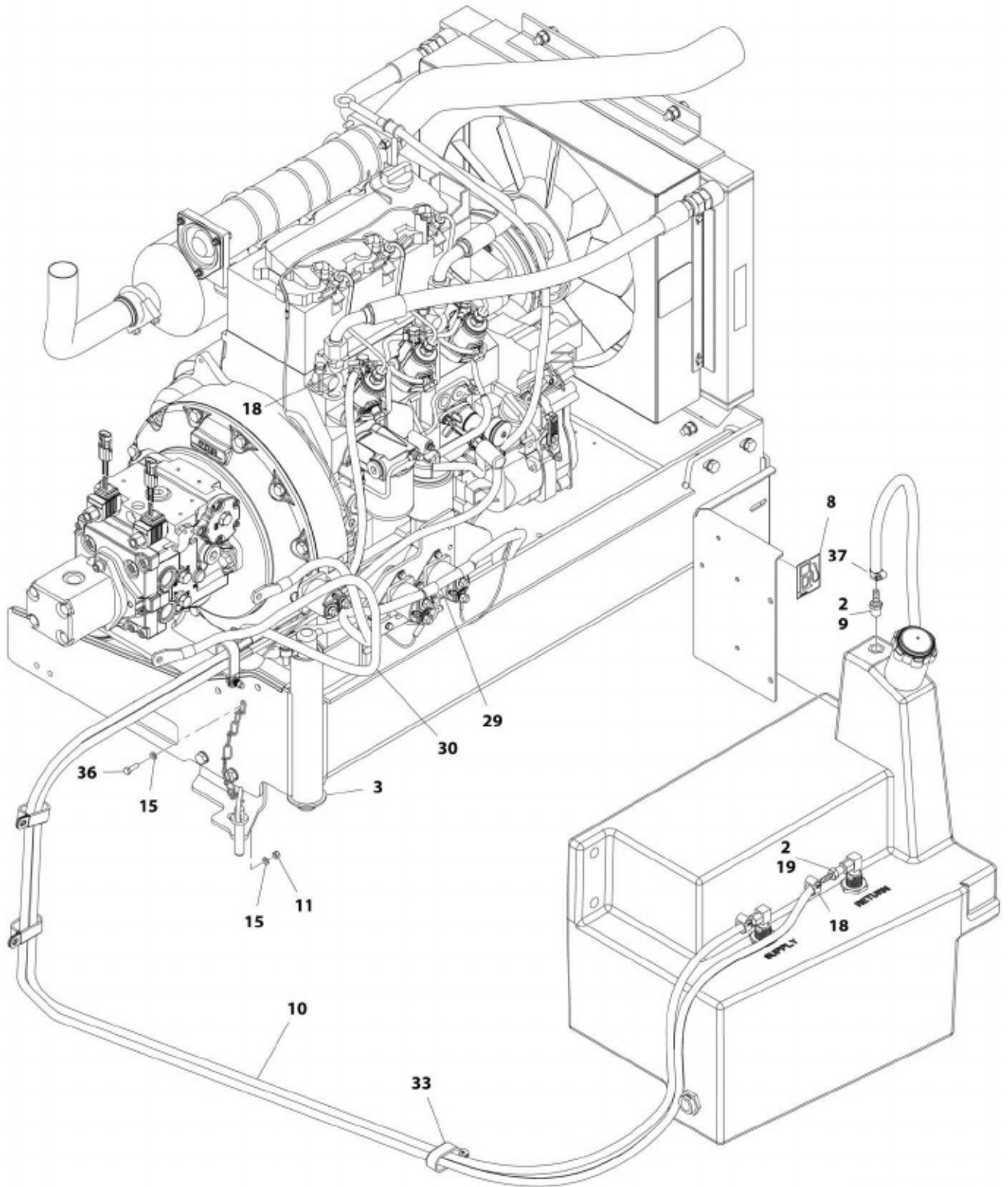
SECTION 3 - ENGINE

FIGURE 3-9. ENGINE INSTALLATION - DEUTZ D2.3L3 ENGINE (WITHOUT ARCTIC PACKAGE) (ANSI EXPORT, AUSTRALIAN AND CE SPECS)



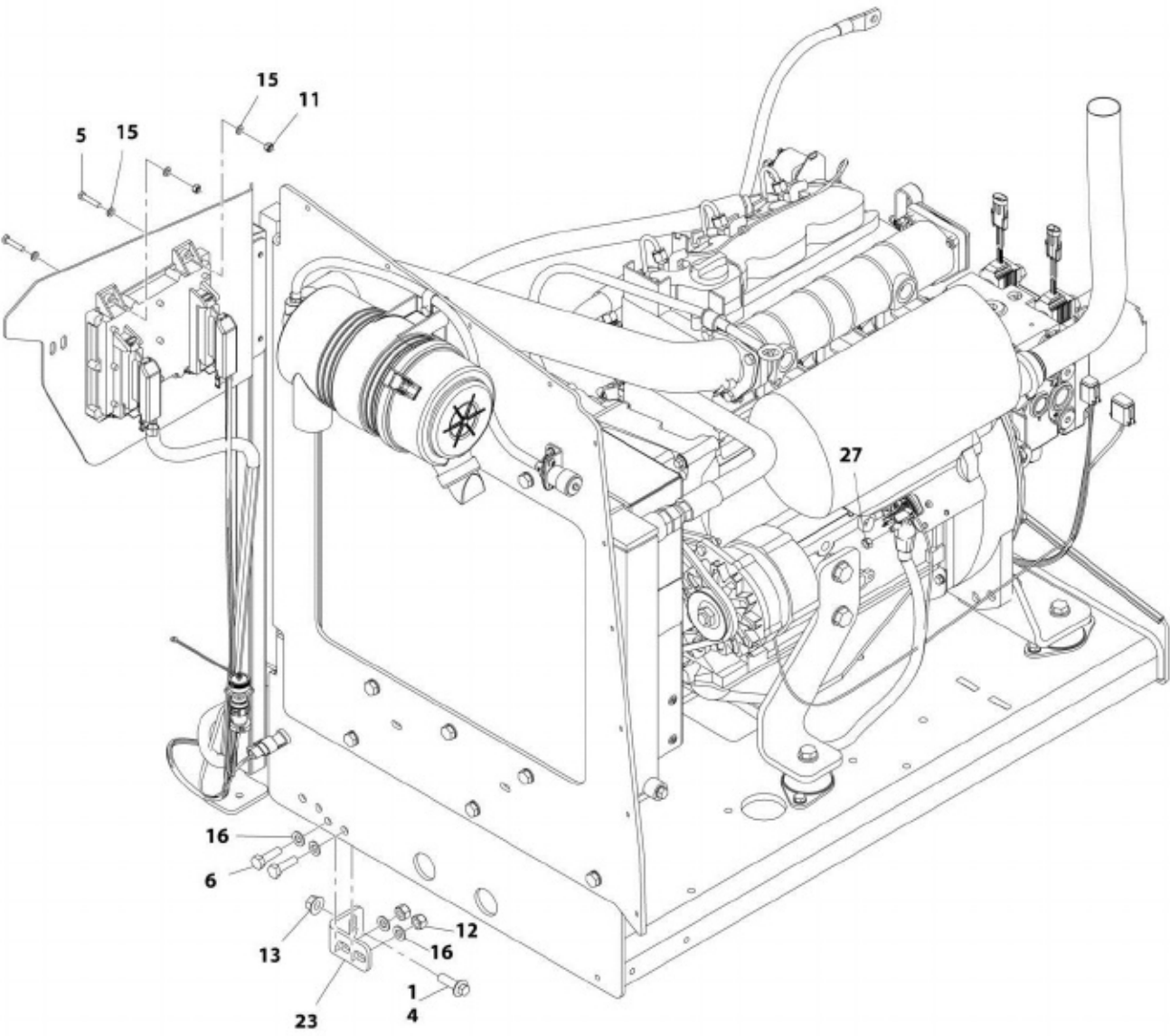
ART_1001166305_10F3

SECTION 3 - ENGINE



ART_1001166305_20F3

SECTION 3 - ENGINE



ART_1001166305_3OF3

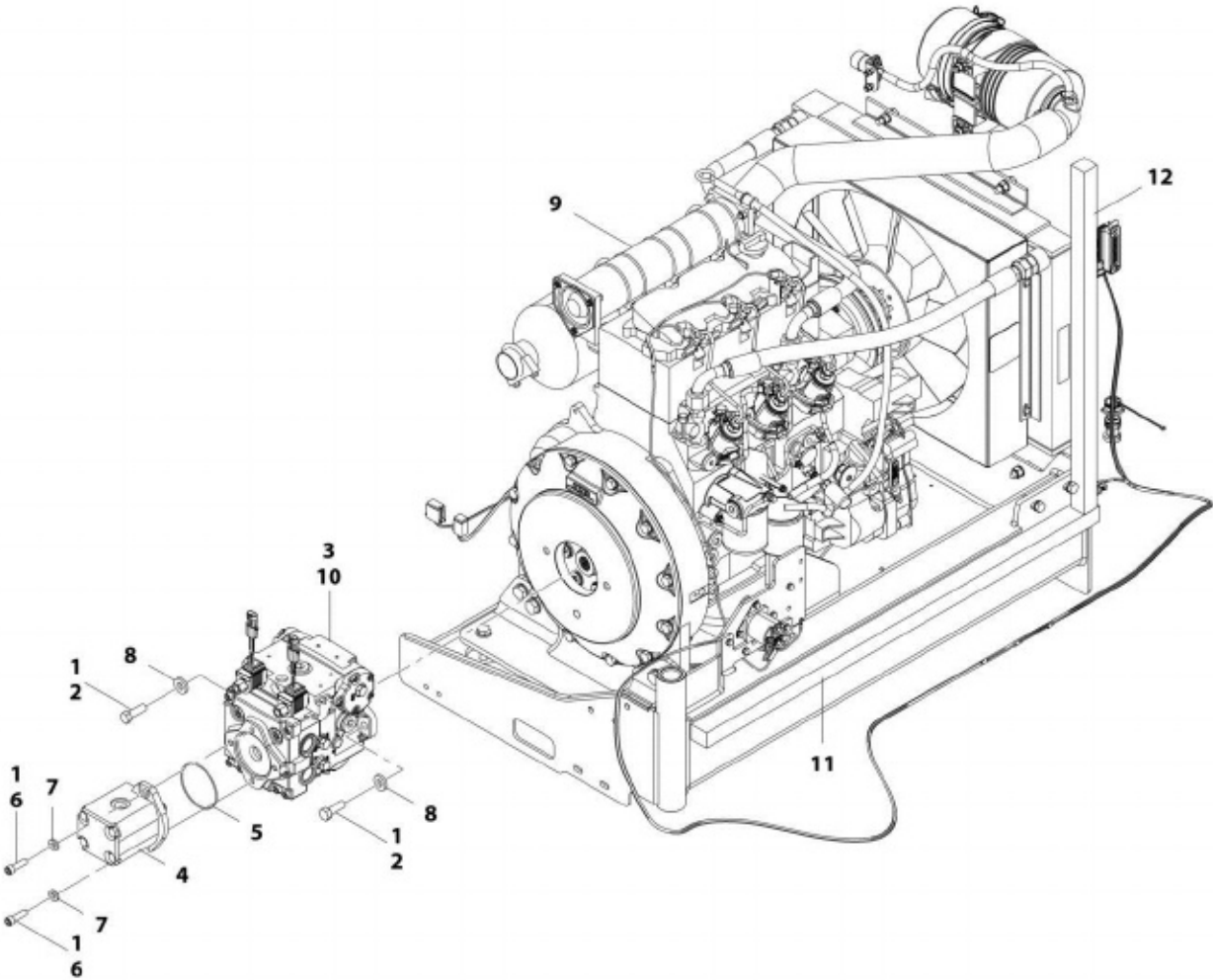
SECTION 3 - ENGINE

FIGURE 3-9. ENGINE INSTALLATION - DEUTZ D2.3L3 ENGINE (WITHOUT ARCTIC PACKAGE) (ANSI EXPORT, AUSTRALIAN AND CE SPECS)

ITEM	PART NUMBER	QTY	DESCRIPTION	REV
	1001166305	Ref	ENGINE INSTALLATION - DEUTZ D2.3L3 ENGINE (WITHOUT ARCTIC PACKAGE) (ANSI EXPORT, AUSTRALIAN AND CE SPECS)	E
1	0100011	AR	Compound, Locking	
2	0100020	AR	Sealant, Pipe	
3	0440162	1	Bearing	
4	5251215	1	Bolt, M12 x 35mm	
5	0760614	4	Bolt, M6 x 30mm	
6	0761015	5	Bolt, M10 x 35mm	
7	1704972	1	Decal - Warning Explosion/Fire	
8	1701505	1	Decal - Diesel Fuel	
9	2180876	1	Fitting, Barbed	
10	2720058	22 ft /6.7m	Hose	
11	3290605	5	Nut, Lock M6 x 1	
12	3291005	4	Nut, Lock M10 x 1.5	
13	5261200	1	Nut, Flange M12 (Grade 10.9)	
14	3841143	1	Keeper, Pin	
15	4811700	10	Washer, M6	
16	4812000	9	Washer, M10	
18	8410013	4	Clamp	
19	2180348	2	Fitting, Barbed	
20	1001135196	1	Pin	
22	1001166021	1	Engine and Pump Sub-Assembly - Deutz D2.3L3 (Without Arctic Package) (ANSI Export, Australian and CE Specs) (See ENGINE AND PUMP SUB-ASSEMBLY - DEUTZ D2.3L3 (WITHOUT ARCTIC PACKAGE) (ANSI EXPORT, AUSTRALIAN AND CE SPECS for Breakdown)	
23	1001167512	1	Bracket, Engine	
24	1001169823	1	Bracket, Engine	
25	1001172202	1	Pipe, Exhaust	
27	3290801	1	Nut, M8 x 1.25	
29	1001171681	1	Cable, Battery (Red) (Battery Positive to Auxiliary Power Relay)	
30	1001171682	1	Cable, Battery (Black) (Battery Negative to Auxiliary Power Pump)	
31	3422532	1	Pin	
32	1001191832	1	Nut, Rivet, M8	
33	1321716	4	Clamp	
34	4811900	1	Washer, M8	
35	0760812	1	Bolt, M8 x 25mm	
36	0760610	1	Bolt, M6 x 20mm	
37	1320022	1	Clamp	

SECTION 3 - ENGINE

FIGURE 3-10. ENGINE AND PUMP SUB-ASSEMBLY - DEUTZ D2.3L3 (WITHOUT ARCTIC PACKAGE)
(ANSI EXPORT, AUSTRALIAN AND CE SPECS)



ART_1001166021

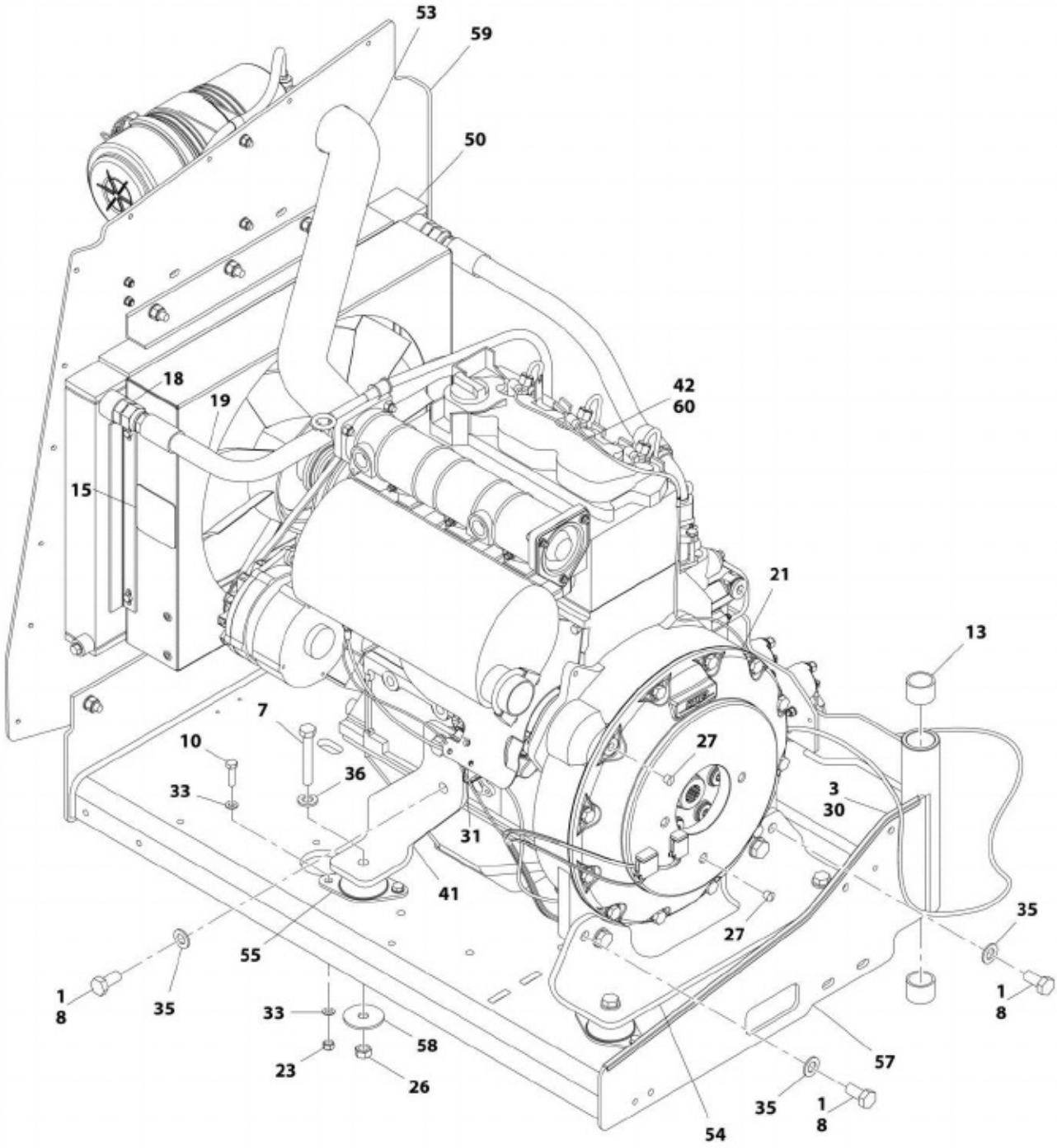
SECTION 3 - ENGINE

**FIGURE 3-10. ENGINE AND PUMP SUB-ASSEMBLY - DEUTZ D2.3L3 (WITHOUT ARCTIC PACKAGE),
(ANSI EXPORT, AUSTRALIAN AND CE SPECS)**

ITEM	PART NUMBER	QTY	DESCRIPTION	REV
	1001166021	Ref	ENGINE AND PUMP SUB-ASSEMBLY - DEUTZ D2.3L3 (WITHOUT ARCTIC PACKAGE) (ANSI EXPORT, AUSTRALIAN AND CE SPECS)	B
1	0100011	AR	Compound, Locking	
2	0641812	2	Bolt, 1/2-13 x 1-1/2	
3	3020037	AR	Lube	
4	3600242	1	Gear Pump Assembly (See GEAR PUMP ASSEMBLY for Breakdown)	
5	3790152	1	O-Ring	
6	3931620	2	Capscrew, 3/8-16 x 1-1/4	
7	4891600	2	Washer, 3/8 Hardened	
8	4891800	2	Washer, 1/2 Hardened	
9	1001166020	1	Engine Assembly - Deutz D2.3L3 Engine (Without Arctic Package) (ANSI Export, Australian and CE Specs) (See ENGINE ASSEMBLY - DEUTZ D2.3L3 ENGINE (WITHOUT ARCTIC PACKAGE) (ANSI EXPORT, AUSTRALIAN AND CE SPECS) for	
10	1001167036	1	Breakdown) Piston Pump Assembly (See PISTON PUMP ASSEMBLY for Breakdown)	
11	1001171953	1	Seal	
12	1001171954	1	Seal	

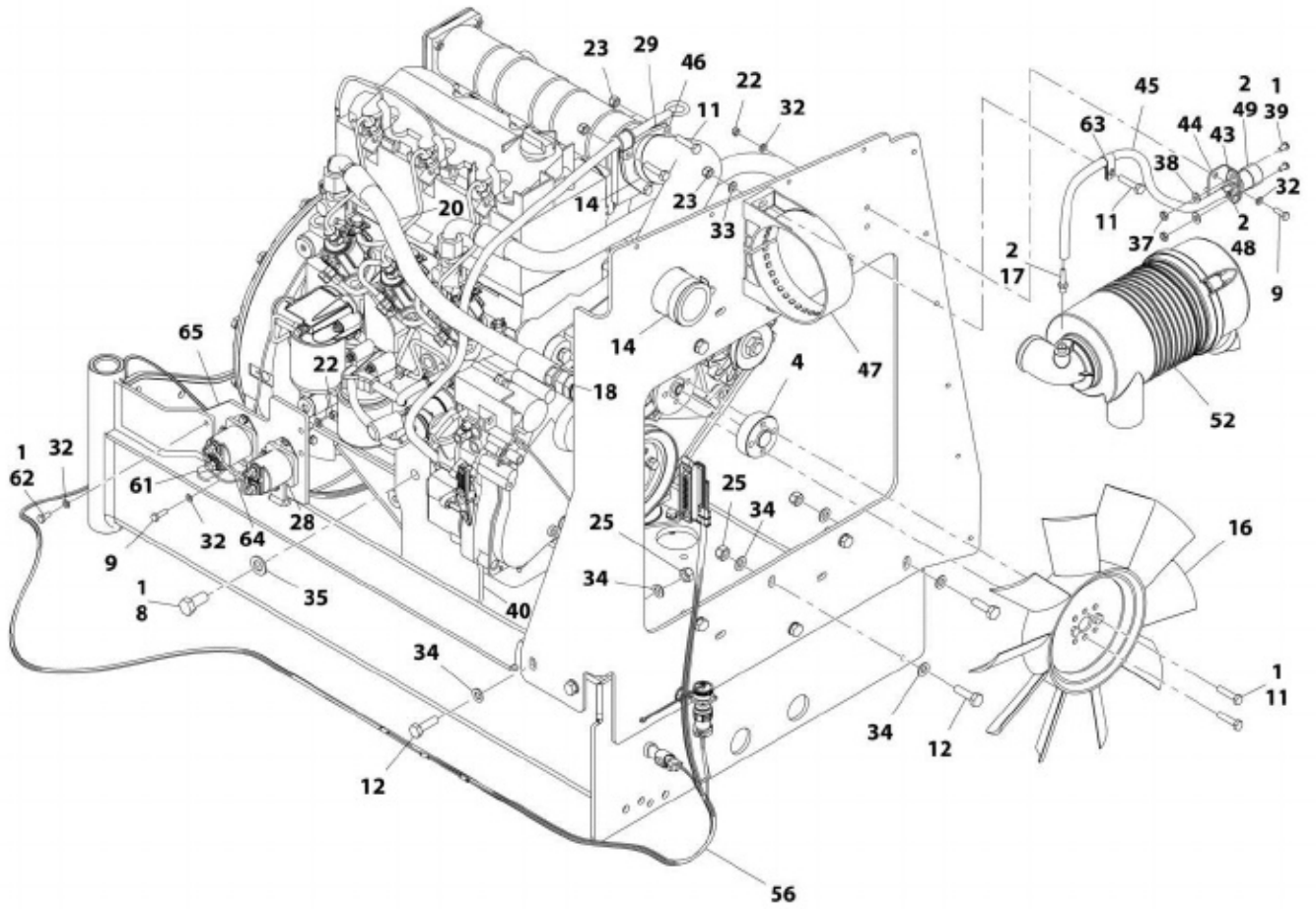
SECTION 3 - ENGINE

FIGURE 3-11. ENGINE ASSEMBLY - DEUTZ D2.3L3 ENGINE (WITHOUT ARCTIC PACKAGE) (ANSI EXPORT, AUSTRALIAN AND CE SPECS)



ART_1001166020_10F2

SECTION 3 - ENGINE



ART_1001166020_20F2

SECTION 3 - ENGINE

FIGURE 3-11. ENGINE ASSEMBLY - DEUTZ D2.3L3 ENGINE (WITHOUT ARCTIC PACKAGE) (ANSI EXPORT, AUSTRALIAN AND CE SPECS)

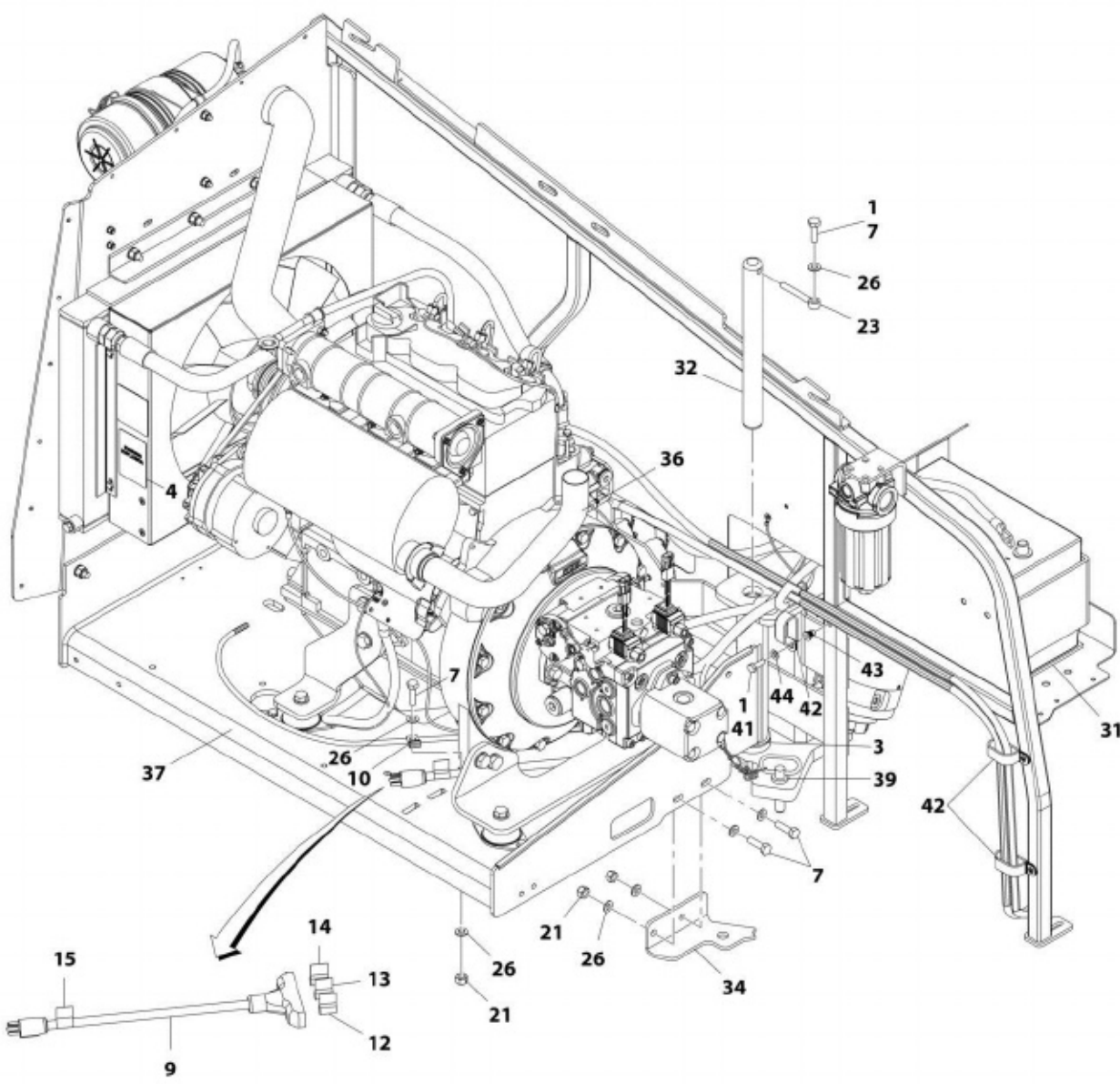
ITEM	PART NUMBER	QTY	DESCRIPTION	REV
	1001166020	Ref	ENGINE ASSEMBLY - DEUTZ D2.3L3 ENGINE (WITHOUT ARCTIC PACKAGE) (ANSI EXPORT, AUSTRALIAN AND CE SPECS)	G
1	0100011	AR	Compound, Locking	
2	0100020	AR	Sealant, Pipe	
3	0100081	AR	Adhesive	
4	0080231	1	Spacer, Fan	
7	0711224	4	Bolt, M12 x 80mm (Grade 10.9)	
8	0771414	8	Bolt, M14 x 30mm	
9	0760610	6	Bolt, M6 x 20mm	
10	0760814	8	Bolt, M8 x 30mm	
11	0760815	9	Bolt, M8 x 35mm	
12	0761015	11	Bolt, M10 x 35mm	
13	0961951	2	Bushing	
14	1320016	2	Clamp	
15	1703162	2	Decal - Caution Fan	
16	2060025	1	Fan	
17	2220315	1	Fitting, Barbed	
18	2220451	2	Fitting, Straight JIC/ORB	
19	2720398	1	Hose	
20	2720447	1	Hose	
21	2902065	1	Pump Coupling Kit (See PUMP COUPLING KIT for Breakdown)	
22	3290605	6	Nut, Lock, M6 x 1	
23	3290805	13	Nut, Lock M8 x 1.25	
25	3291005	11	Nut, Lock M10 x 1.5	
26	3331215	4	Nut, M12 x 1.75	
27	3520054	2	Plug	
28	3740067	2	Relay Assembly	
28	3300220	2	Nut	
28	3321001	1	Nut, #10-32	
28	3740140	1	Relay	
28	4761000	1	Washer, Lock #10	
28	1001111424	2	Washer	
29	3960407	1	Gasket	
30	4060805	2.25 ft /0.69m	Trim, Flex Shield	
31	4240099	AR	Tie-Strap	
32	4811700	15	Washer, M6	
33	4811900	20	Washer, M8	
34	4812000	22	Washer, M10	
35	4812200	8	Washer, M14	
36	5241200	4	Washer, M12 Hardened	
37	8305401	2	Nut, Jam .250-20	
38	8307109	2	Washer, .250	
39	8310548	2	Screw, 1/4 NC x 1/2	
40	1001132195	1	Bracket, Engine Mount	
41	1001132196	1	Bracket, Engine Mount	
42	1001136079	3 gl /11.3L	Oil, Motor	
43	1001138173	1	Support, Service Indicator	

SECTION 3 - ENGINE

ITEM	PART NUMBER	QTY	DESCRIPTION	REV
44	1001138175	1	Bracket, Service Indicator	
45	1001138248	2 ft /0.61m	Tube	
46	1001139819	1	Adapter, Air Intake	
47	1001141694	1	Clamp, Air Cleaner	
48	1001141995	1	Fitting, Barbed	
49	1001143390	1	Indicator	
50	1001150998	1	Radiator	
52	1001165388	1	Air Cleaner Assembly	
52	70003783	1	Element, Air Cleaner	
53	1001165389	1	Hose	
54	1001166717	1	Bracket, Engine Mount	
55	1001166718	4	Isolator, Engine Mount	
56	1001167111	1	Harness Engine - Deutz D2.3L3 (See ELECTRICAL SECTION for Breakdown)	
57	1001167520	1	Tray, Engine	
58	1001168018	4	Washer, Snubbing	
59	1001168059	1	Plate, Radiator Mounting	
60	1001170693	1	Engine, Deutz D2.3L3 (See ENGINE COMPONENTS - DEUTZ D2.3L3 ENGINE for Breakdown)	
61	4923451	1	Harness, Glow Plugs	
62	0760607	3	Bolt, M6 x 14mm	
63	8406109	1	Clip	
64	1001178859	1	Cable, Alternator	
65	1001179903	1	Bracket	

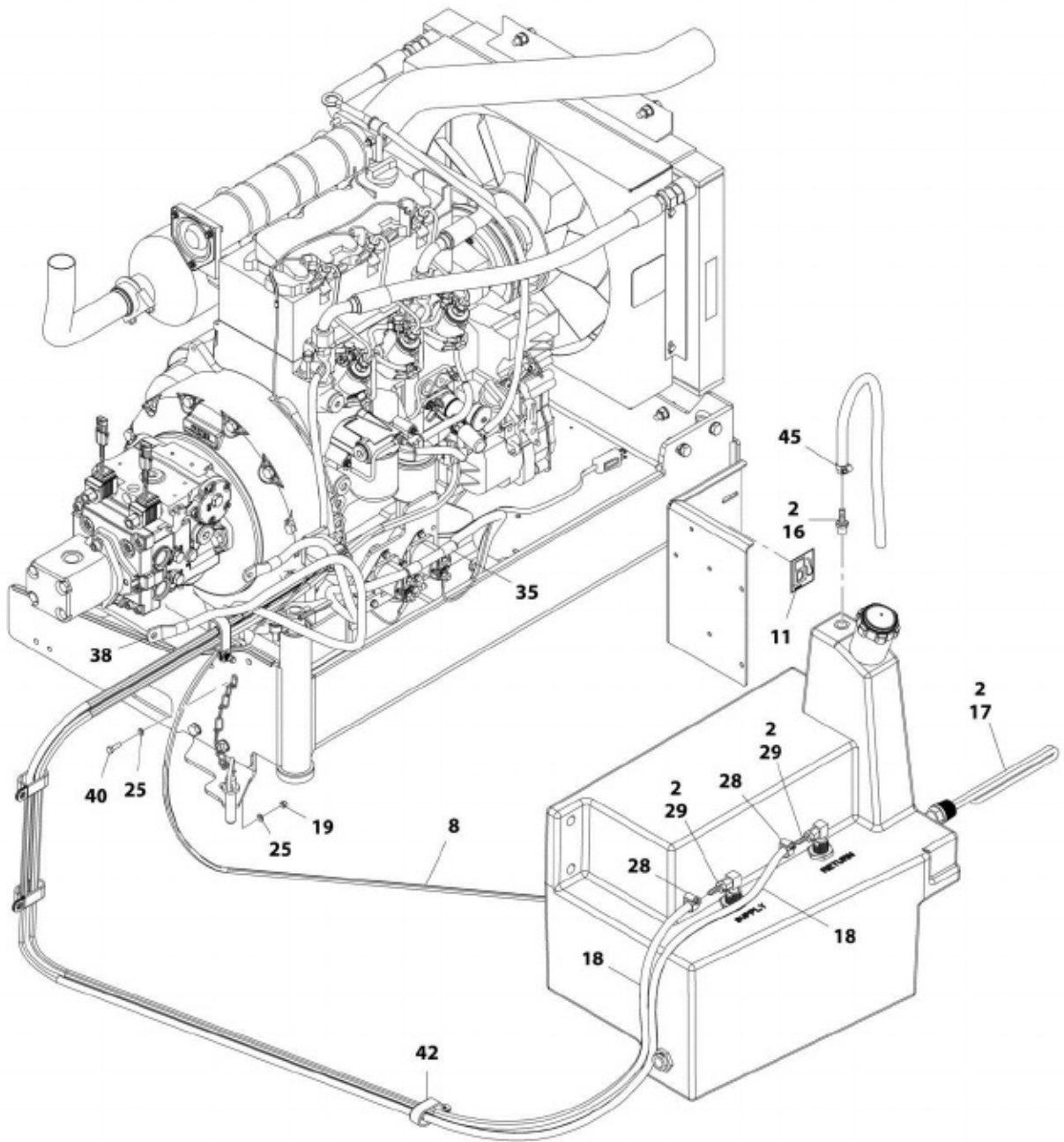
SECTION 3 - ENGINE

FIGURE 3-12. ENGINE INSTALLATION - DEUTZ D2.3L3 ENGINE (WITH ARCTIC PACKAGE) (ANSI EXPORT SPEC)



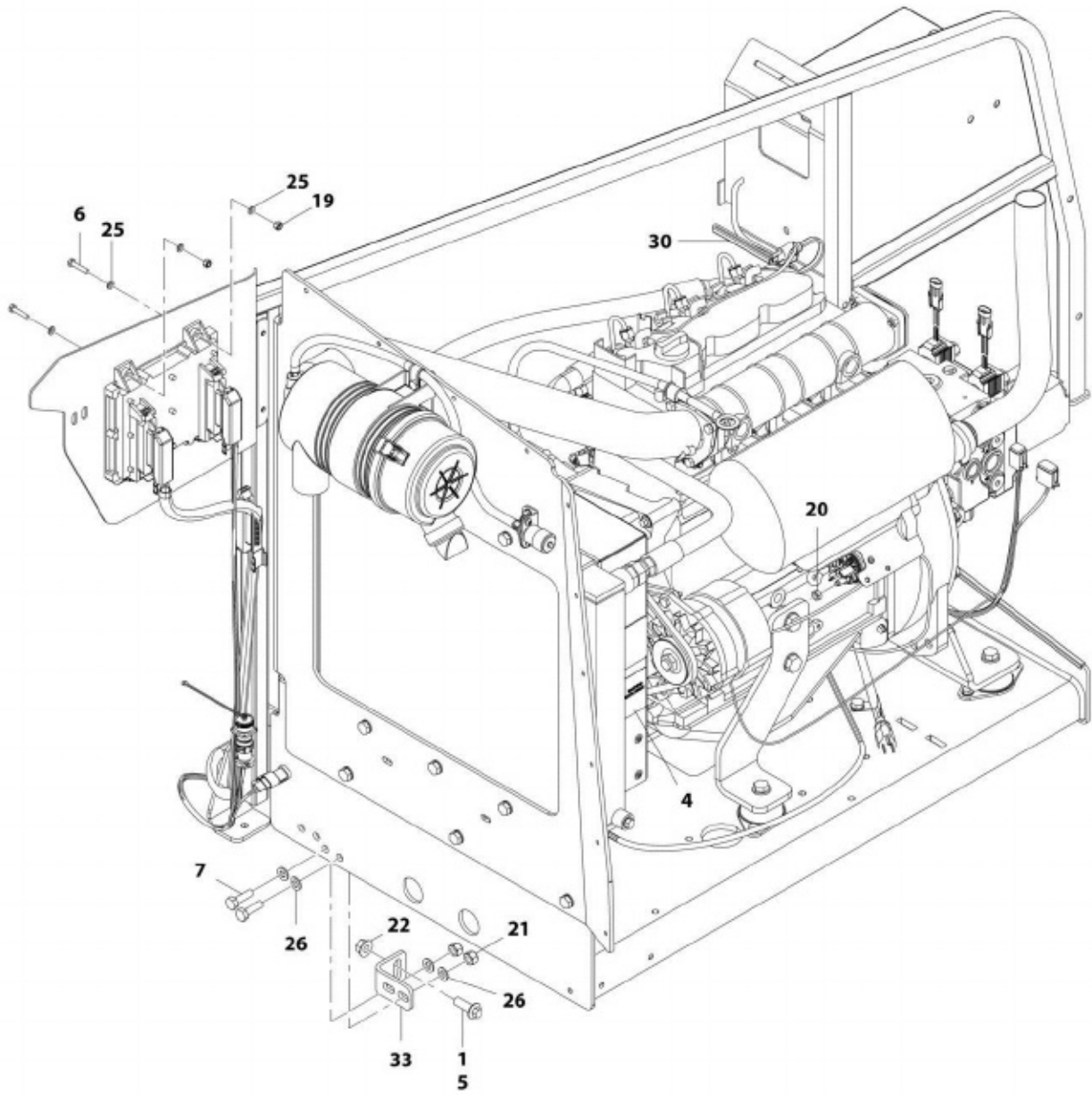
ART_1001174785_10F3

SECTION 3 - ENGINE



ART_1001174785_20F3

SECTION 3 - ENGINE



ART_1001174785_30F3

SECTION 3 - ENGINE

FIGURE 3-12. ENGINE INSTALLATION - DEUTZ D2.3L3 ENGINE (WITH ARCTIC PACKAGE) (ANSI EXPORT SPEC)

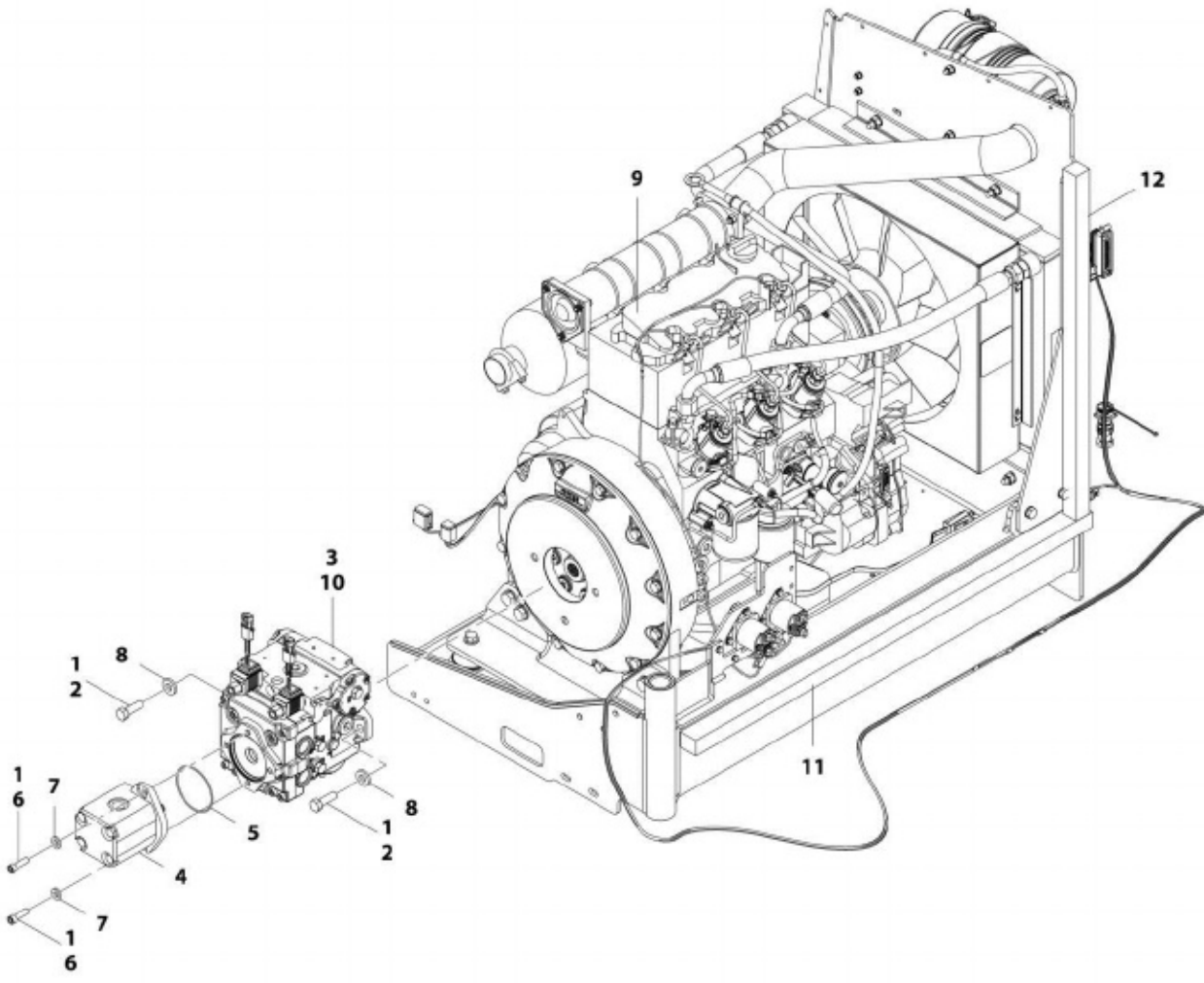
ITEM	PART NUMBER	QTY	DESCRIPTION	REV
	1001174785	Ref	ENGINE INSTALLATION - DEUTZ D2.3L3 ENGINE (WITH ARCTIC PACKAGE) (ANSI EXPORT SPEC)	E
1	0100011	AR	Compound, Locking	
2	0100020	AR	Sealant, Pipe	
3	0440162	1	Bearing	
4	1704972	1	Decal - Warning Explosion/Fire	
5	5251215	1	Bolt, M12 x 35mm	
6	0760614	4	Bolt, M6 x 30mm	
7	0761015	6	Bolt, M10 x 35mm	
8	1060625	1	Cable, Immersion Heater (SN 0300199221 through 0300206616)	
9	1060626	1	Plug, 3 Way	
10	1320223	1	Clamp	
11	1701505	1	Decal - Diesel Fuel	
12	1702941	1	Decal - Battery Heater	
13	1702942	1	Decal - Engine Block Heater	
14	1702943	1	Decal - Hydraulic Tank Heater	
15	1702944	1	Decal - Heater Cord	
16	2180876	1	Fitting, Barbed	
17	2580050	1	Heater, Hydraulic Tank (SN 0300199221 through 0300206616)	
17	1001188972	1	Heater, Hydraulic Tank (SN 0300206617 to Present)	
18	2720058	22 ft /6.7m	Hose	
19	3290605	5	Nut, Lock M6 x 1	
20	3290801	1	Hex Nut, M8 x 1.25	
21	3291005	5	Nut, Lock M10 x 1.5	
22	5261200	1	Nut, Flange M12 (Grade 10.9)	
23	3841143	1	Keeper, Pin	
25	4811700	10	Washer, M6	
26	4812000	11	Washer, M10	
28	8410013	4	Clamp	
29	2180348	2	Fitting, Barbed	
30	1001097000	1	Heater, Battery (SN 0300199221 through 0300206616)	
30	2580024	1	Heater, Battery (SN 0300206617 to Present)	
31	1001119278	1	Insulate	
32	1001135196	1	Pin	
33	1001167512	1	Bracket, Engine	
34	1001169823	1	Plate, Engine Lock	
35	1001171681	1	Cable, Battery (Red) (Battery Positive to Auxiliary Power Relay)	
36	1001172202	1	Pipe, Exhaust	
37	1001174784	1	Engine and Pump Sub-Assembly - Deutz D2.3L3 (With Arctic Package) (ANSI Export Spec) (See ENGINE AND PUMP SUB-ASSEMBLY - DEUTZ D2.3L3 (WITH ARCTIC PACKAGE) (ANSI EXPORT SPEC) for Breakdown)	
38	1001171682	1	Cable, Battery (Black) (Battery Negative to Auxiliary Power Pump)	
39	3422532	1	Pin	
40	0760610	1	Bolt, M6 x 20mm	
41	0760812	1	Bolt, M8 x 25mm	
42	1321716	4	Clamp	
43	1001191832	1	Nut, Rivet M8	
44	4811900	1	Washer, M8	

SECTION 3 - ENGINE

ITEM	PART NUMBER	QTY	DESCRIPTION	REV
45	1320022	1	Clamp	

SECTION 3 - ENGINE

FIGURE 3-13. ENGINE AND PUMP SUB-ASSEMBLY - DEUTZ D2.3L3 (WITH ARCTIC PACKAGE)
(ANSI EXPORT SPEC)



ART_1001174784

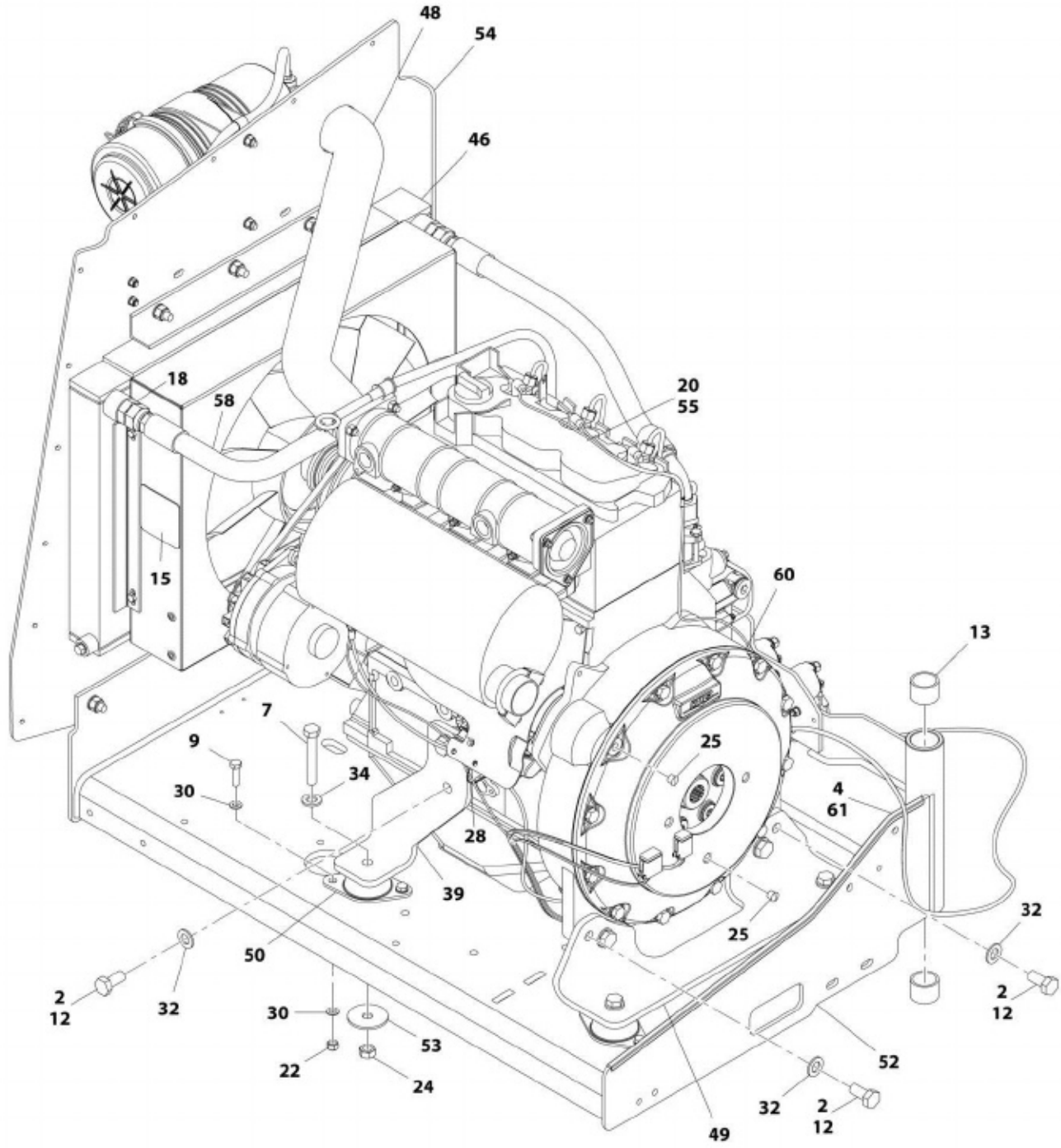
SECTION 3 - ENGINE

**FIGURE 3-13. ENGINE AND PUMP SUB-ASSEMBLY - DEUTZ D2.3L3 (WITH ARCTIC PACKAGE)
(ANSI EXPORT SPEC)**

ITEM	PART NUMBER	QTY	DESCRIPTION	REV
	1001174784	Ref	ENGINE AND PUMP SUB-ASSEMBLY - DEUTZ D2.3L3 (WITH ARCTIC PACKAGE) (ANSI EXPORT SPEC)	B
1	0100011	AR	Compound, Locking	
2	0641812	2	Bolt, 1/2-13 x 1-1/2	
3	3020037	AR	Lube	
4	3600242	1	Gear Pump Assembly (See GEAR PUMP ASSEMBLY for Breakdown)	
5	3790152	1	O-Ring	
6	3931620	2	Capscrew, 3/8-16 x 1-1/4	
7	4891600	2	Washer, 3/8 Hardened	
8	4891800	2	Washer, 1/2 Hardened	
9	1001174783	1	Engine Assembly - Deutz D2.3L3 Engine (With Arctic Package) (ANSI Export Spec) (See ENGINE ASSEMBLY - DEUTZ D2.3L3 ENGINE (WITH ARCTIC PACKAGE) (ANSI EXPORT SPEC) for Breakdown)	
10	1001167036	1	Piston Pump Assembly (See PISTON PUMP ASSEMBLY for Breakdown)	
11	1001171953	1	Seal	
12	1001171954	1	Seal	

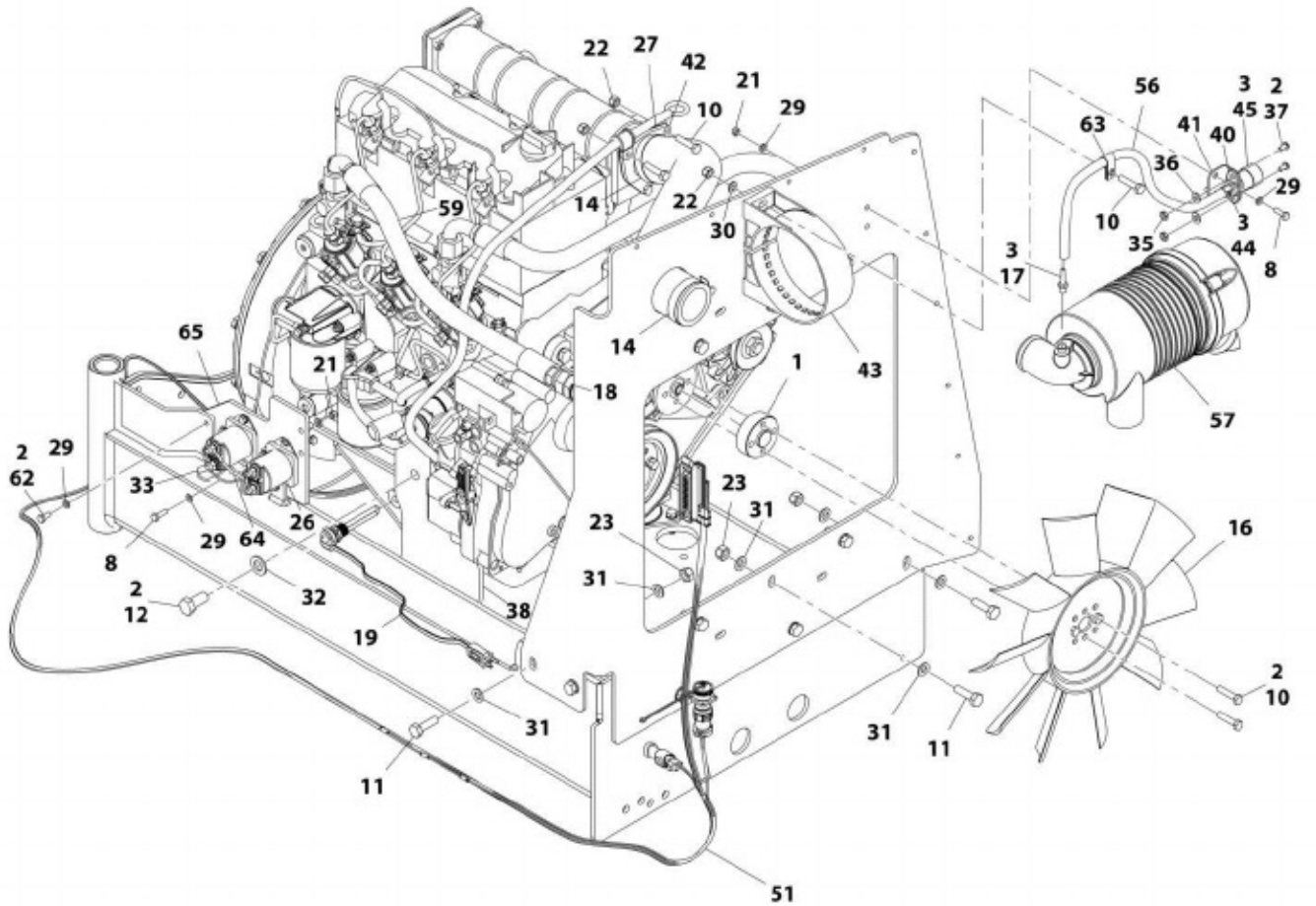
SECTION 3 - ENGINE

FIGURE 3-14. ENGINE ASSEMBLY - DEUTZ D2.3L3 ENGINE (WITH ARCTIC PACKAGE) (ANSI EXPORT SPEC)



ART_1001174783_10F2

SECTION 3 - ENGINE



ART_1001174783_2OF2

SECTION 3 - ENGINE

FIGURE 3-14. ENGINE ASSEMBLY - DEUTZ D2.3L3 ENGINE (WITH ARCTIC PACKAGE) (ANSI EXPORT SPEC)

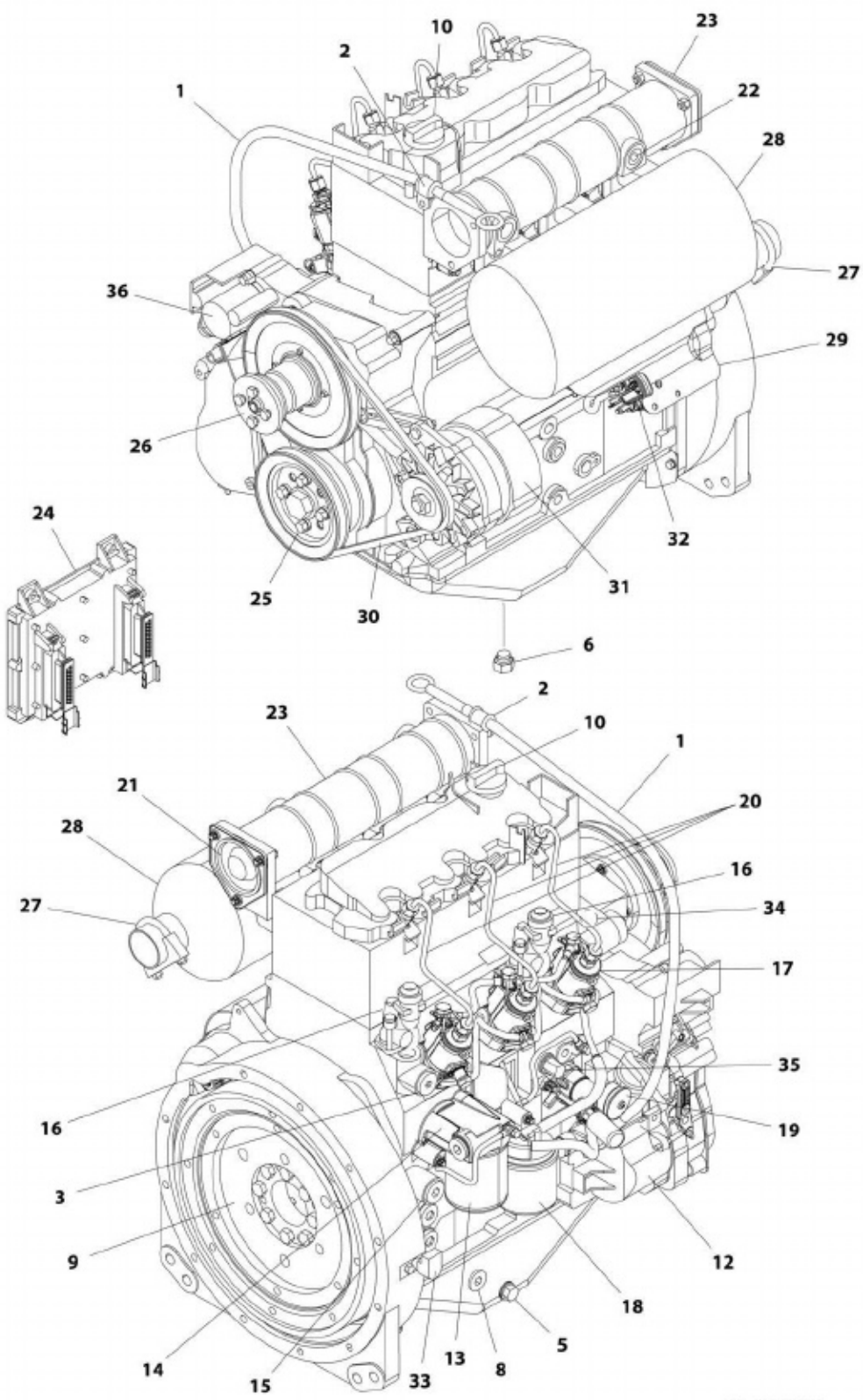
ITEM	PART NUMBER	QTY	DESCRIPTION	REV
	1001174783	Ref	ENGINE ASSEMBLY - DEUTZ D2.3L3 ENGINE (WITH ARCTIC PACKAGE) (ANSI EXPORT SPEC)	F
1	0080231	1	Spacer, Fan	
2	0100011	AR	Compound, Locking	
3	0100020	AR	Sealant, Pipe	
4	0100081	AR	Adhesive	
7	0711224	4	Bolt, M12 x 80mm (Grade 10.9)	
8	0760610	6	Bolt, M6 x 20mm	
9	0760814	8	Bolt, M8 x 30mm	
10	0760815	9	Bolt, M8 x 35mm	
11	0761015	11	Bolt, M10 x 35mm	
12	0771414	8	Bolt, M14 x 30mm	
13	0961951	2	Bushing	
14	1320016	2	Clamp	
15	1703162	2	Decal - Caution Fan	
16	2060025	1	Fan	
17	2220315	1	Fitting, Barbed	
18	2220451	2	Fitting, Straight JIC/ORB	
19	2580062	1	Heater, Engine Block	
20	3020044	3 gl /11.3L	Oil, Motor	
21	3290605	6	Nut, Lock M6 x 1	
22	3290805	13	Nut, Lock M8 x 1.25	
23	3291005	11	Nut, Lock M10 x 1.5	
24	3331215	4	Nut, M12 x 1.75	
25	3520054	2	Plug	
26	3740067	2	Relay Assembly	
26	3300220	2	Nut	
26	3321001	1	Nut, #10-32	
26	3740140	1	Relay	
26	4761000	1	Washer, Lock #10	
26	1001111424	2	Washer	
27	3960407	1	Gasket	
28	4240099	AR	Tie-Strap (Not Shown)	
29	4811700	15	Washer, M6	
30	4811900	20	Washer, M8	
31	4812000	22	Washer, M10	
32	4812200	8	Washer, M14	
33	4923451	1	Harness, Glow Plugs	
34	5241200	4	Washer, M12 Hardened	
35	8305401	2	Nut, Jam, .250-20	
36	8307109	2	Washer, .250	
37	8310548	2	Screw, 1/4 NC x 1/2	
38	1001132195	1	Bracket, Engine Mount	
39	1001132196	1	Bracket, Engine Mount	
40	1001138173	1	Support, Service Indicator	
41	1001138175	1	Bracket, Service Indicator	
42	1001139819	1	Adapter, Air Intake	
43	1001141694	1	Clamp, Air Cleaner	
44	1001141995	1	Fitting, Barbed	

SECTION 3 - ENGINE

ITEM	PART NUMBER	QTY	DESCRIPTION	REV
45	1001143390	1	Indicator	
46	1001150998	1	Radiator	
48	1001165389	1	Hose	
49	1001166717	1	Bracket, Engine Mount	
50	1001166718	4	Isolator, Engine Mount	
51	1001167111	1	Harness Engine - Deutz D2.3L3 (See ELECTRICAL SECTION for Breakdown)	
52	1001167520	1	Tray, Engine	
53	1001168018	4	Washer, Snubbing	
54	1001168059	1	Plate, Radiator Mounting	
55	1001170693	1	Engine, Deutz D2.3L3 (See ENGINE COMPONENTS - DEUTZ D2.3L3 ENGINE for Breakdown)	
56	1001138248	2 ft /0.61m	Tube	
57	1001165388	1	Air Cleaner Assembly	
57	70003783	1	Element, Air Cleaner	
58	2720398	1	Hose	
59	2720447	1	Hose	
60	2902065	1	Pump Coupling Kit (See PUMP COUPLING KIT for Breakdown)	
61	4060805	2.25 ft /0.69m	Trim, Flex Shield	
62	0760607	3	Bolt, M6 x 14mm	
63	8406109	1	Clip	
64	1001178859	1	Cable, Alternator	
65	1001179903	1	Bracket	

SECTION 3 - ENGINE

FIGURE 3-15. ENGINE COMPONENTS - DEUTZ D2.3L3



ART_1001170693

SECTION 3 - ENGINE

FIGURE 3-15. ENGINE COMPONENTS - DEUTZ D2.3L3

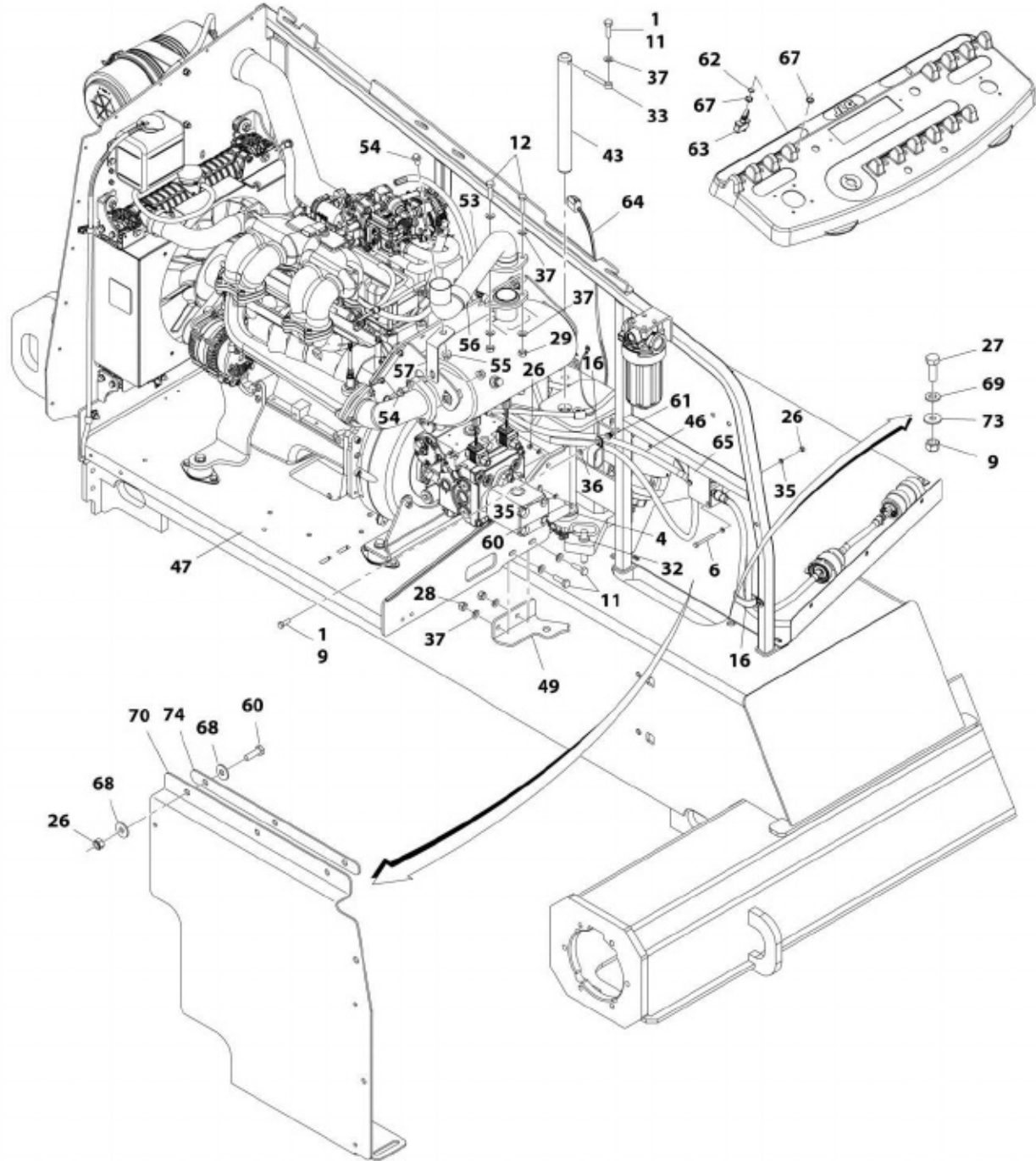
ITEM	PART NUMBER	QTY	DESCRIPTION	REV
	1001170693	Ref	ENGINE COMPONENTS - DEUTZ D2.3L3	C
1	70001002	1	Tube, Dipstick	
1	7020403	1	Seal, Tube	
1	7020026	1	Dipstick	
2	70001654	1	Clamp	
2	70001655	1	Bolt	
3	70003475	1	Thermostat	
3	7020460	1	Spring	
4		Ref	Seal and Gasket Options (Not Shown):	
4	70002718	1	Seal, Rear Main	
4	7020430	1	Gasket, Valve Cover	
4	70003479	1	Gasket, Head - 1 Notch	
4	70003480	1	Gasket, Head - 2 Notch	
4	70003481	1	Gasket, Head - 3 Notch	
5	70025088	1	Plug	
6	70025667	1	Plug	
7	70025123	22	Bolt, Torx (Oil Pan Bolts) (Not Shown)	
8	7020492	1	Seal	
8	70025084	1	Plug	
9	70001870	1	Flywheel	
9	7024579	1	Ring Gear (Part of Flywheel)	
9	70025139	8	Bolt	
10	7020465	1	Cap, Oil Fill	
11	70000800	1	Timing Belt/Idler Kit (Includes Timing Belt, Tensioner and Tensioner Bolt) (Not Shown)	
12	70001850	1	Pump, Lubricating	
12	7020468	1	Seal, Pump to Engine Block (Not Shown)	
13	7016331	1	Filter, Oil	
14	70003472	1	Bracket, Oil Filter (Includes Plug with Seal, Temperature Sensor, Control Valve and Compression Spring)	
14	7027236	1	Sender, Temperature	
14	70025082	1	Seal, Plug	
14	70025091	1	Plug	
14	70003473	1	Gasket, Bracket to Engine Block (Not Shown)	
15	70001181	1	Valve	
15	70025091	1	Plug	
15	70025082	1	Seal, Plug	
16	70004268	2	Connector, Radiator Neck	
16	70004269	2	Seal, Radiator Neck to Engine Block	
17	70000912	3	Pump, Fuel Injector - A Spec	
17	70000913	3	Pump, Fuel Injector - B Spec	
17	70000914	3	Pump, Fuel Injector - C Spec	
17	70000915	3	Pump, Fuel Injector - D Spec	
17	70003464	3	O-Ring, Pump to Engine Block	
18	7020023	1	Filter, Fuel	
18	70003463	1	Filter, Fuel - RME Resistant	
18	70001423	1	Bracket, Fuel Filter	
19	70000916	1	Pump Fuel Supply	
19	70000917	1	O-Seal Between Fuel Pump and Engine Block	
19	70000918	1	Sealing Ring Between Hand Pump and Supply Pump	

SECTION 3 - ENGINE

ITEM	PART NUMBER	QTY	DESCRIPTION	REV
19	7000919	1	Pump, Hand	
19	70001435	1	Repair Kit	
19	70025694	2	Bolt, Torx	
20	70000931	3	Pipe, High Pressure	
21	70003469	1	Flange, Intake	
21	70003468	1	Seal	
22	70025084	1	Plug	
22	7020492	1	Seal, Plug	
23	7027903	1	Manifold, Air Intake	
23	70001871	3	Gasket Between Manifold and Engine Block	
24	See Note	1	Module, Engine Control (Note: Not Currently Available)	
24	7027796	1	Cable, Electrical Between Module and Engine Harness (Not Shown)	
24	70001872	1	Harness, Engine (Connects to p/n 70004060) (Not Shown)	
24	70004060	1	Plug, Connector Located on Cable Near Module (Not Shown)	
24	70004059	1	Plug, Analyzer (Not Shown)	
25	70025123	4	Bolt, Torx	
26	70000787	1	Support, Fan (Includes Support, Internal Shaft, Bearings and Circlip)	
27	70001844	1	Clamp	
28	See Note	1	Muffler (Note: See ENGINE ASSEMBLY)	
28	7020471	3	Gasket, Exhaust Between Muffler and Engine Block	
28	70004270	6	Stud, Muffler	
29	70001498	1	Shield, Starter	
29	70025693	3	Bolt	
30	70004102	1	V-Belt	
31	70004056	1	Alternator (Includes Voltage Regulator and Gaskets, Fan and Fan Mounting Hardware)	
31	70001868	1	Regulator, Voltage	
31	70001866	1	Gasket Set, Voltage Regulator	
31	70025131	1	Fan	
31	70025086	1	Nut, Fan	
31	70000851	1	Bracket, Alternator Mounting	
31	70002234	1	Bracket, Alternator Adjustment	
31	70004103	1	Harness, Alternator (Not Shown)	
32	7020479	1	Starter	
32	70025121	2	Bolt, Starter Mounting	
32	70004058	1	Relay	
32	70004062	1	Harness, Starter (Not Shown)	
33	7024565	1	Sensor, Speed	
33	70003931	1	Bolt	
33	70003932	1	Spacer, Sleeve	
34	7027791	1	Sender, Temperature	
35	7027790	1	Sensor, Oil Pressure	
36	7027792	1	Actuator	
37	70000345	3	Plug, Glow (Not Shown)	

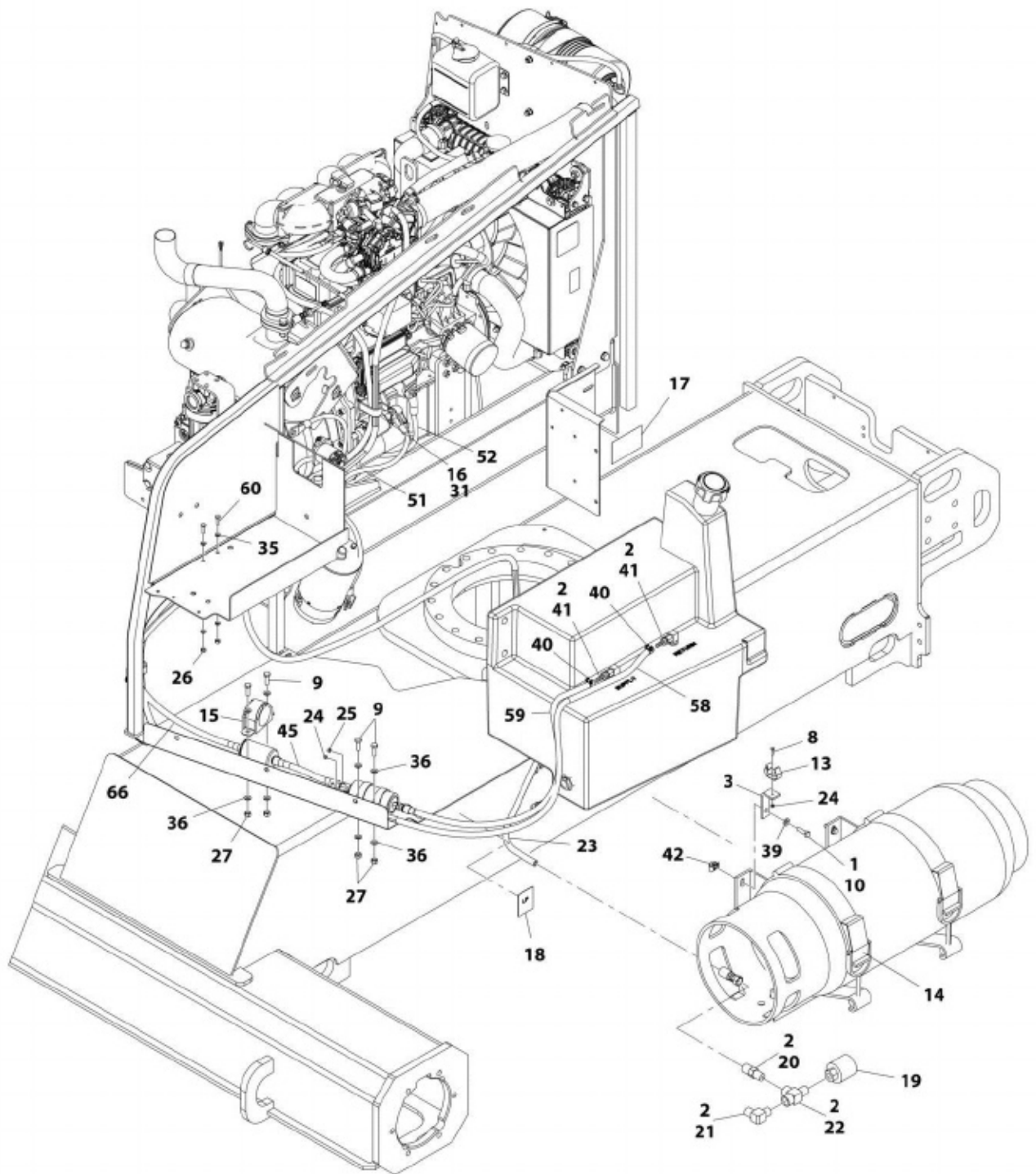
SECTION 3 - ENGINE

FIGURE 3-16. ENGINE INSTALLATION - GM ENGINE (WITHOUT ARCTIC PACKAGE)



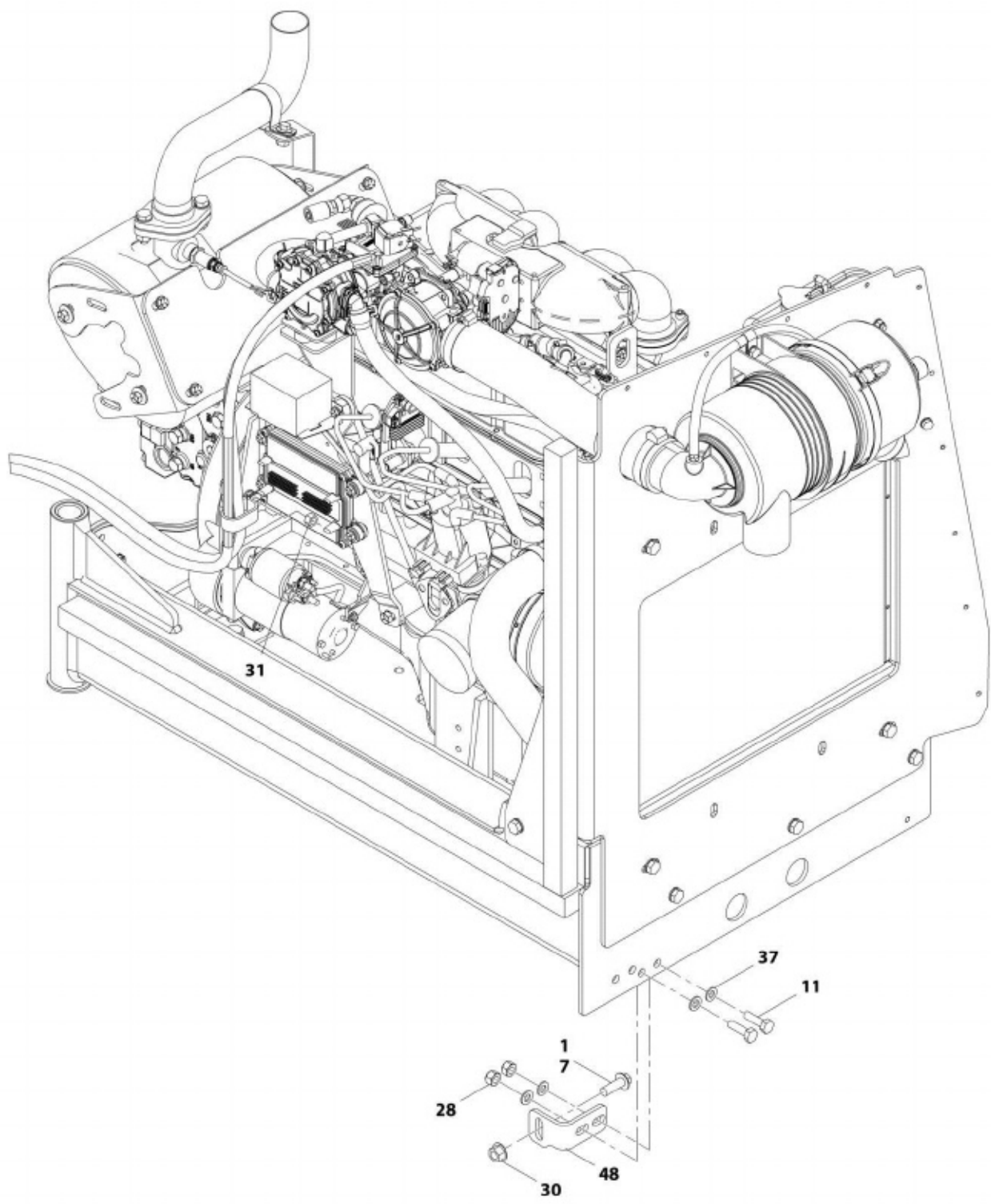
ART_1001166307_1OF3

SECTION 3 - ENGINE



ART_1001166307_2OF3

SECTION 3 - ENGINE



ART_1001166307_3OF3

SECTION 3 - ENGINE

FIGURE 3-16. ENGINE INSTALLATION - GM ENGINE (WITHOUT ARCTIC PACKAGE)

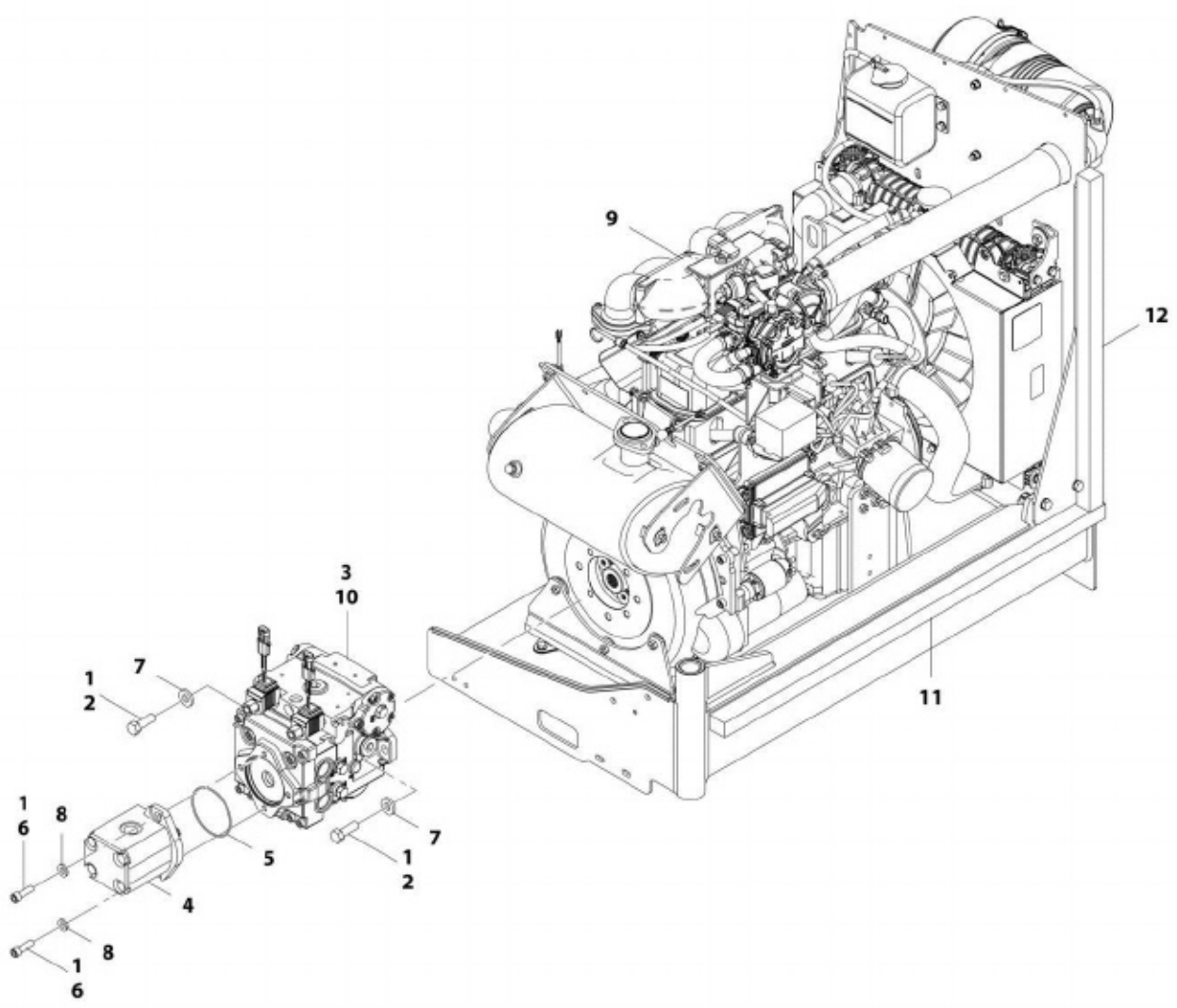
ITEM	PART NUMBER	QTY	DESCRIPTION	REV
	1001166307	Ref	ENGINE INSTALLATION - GM ENGINE (WITHOUT ARCTIC PACKAGE)	1
1	0100011	AR	Compound, Locking	
2	0100020	AR	Sealant, Pipe	
3	0181949	1	Angle	
4	0440162	1	Bearing	
6	0700619	2	Bolt, M6 x 55mm	
7	5251215	1	Bolt, M12 x 35mm	
8	0760408	1	Bolt, M4 x 16mm	
9	0760812	6	Bolt, M8 x 25mm	
10	0760814	4	Bolt, M8 x 30mm	
11	0761015	5	Bolt, M10 x 35mm	
12	0761016	2	Bolt, M10 x 40mm	
13	1320218	1	Clamp	
14	1320220	1	Clamp Kit - LP	
14	4400275	1	Tank, LPG (Aluminum Tank)	
14	4400420	1	Tank, LPG (Steel Tank)	
15	1320323	1	Clamp	
16	1321716	3	Clamp	
17	1701542	1	Decal - Gas	
18	1701543	1	Decal - LPG	
19	2180387	1	Fitting, LP	
20	2180389	1	Fitting	
21	2180504	1	Fitting, Barbed	
22	2220290	1	Fitting, Tee FNPTF/NPTF/FNPTF	
23	2720149	1	Hose	
24	3290405	2	Nut, Lock M4 x 0.7	
25	3290505	1	Nut, Lock M5 x 0.8	
26	3290605	8	Nut, Lock M6 x 1	
27	3290805	5	Nut, Lock M8 x 1.25	
28	3291005	4	Nut, Lock M10 x 1.5	
29	3291007	2	Nut, Lock M10 x 1.5	
30	5261200	1	Nut, 12MM (Grade 10.9)	
31	3311605	1	Nut, Lock 3/8-16 (Prior to SN 0300214749, Prior to SN E300003115)	
32	3422532	1	Pin	
33	3841143	1	Keeper, Pin	
35	4811700	10	Washer, M6	
36	4811900	9	Washer, M8	
37	4812000	13	Washer, M10	
39	5240800	4	Washer, M8 Hardened	
40	1001174486	2	Clamp	
41	2180348	2	Fitting, Barbed	
42	1001118274	4	Nut, Special M8 x 1.25	
43	1001135196	1	Pin	
45	1001156823	1	Hose	
46	1001182405	1	Hose	
47	1001166202	1	Engine and Pump Sub-Assembly - GM Engine (Without Arctic Package) (See ENGINE AND PUMP SUB-ASSEMBLY - GM ENGINE (WITHOUT ARCTIC PACKAGE) for Breakdown)	

SECTION 3 - ENGINE

ITEM	PART NUMBER	QTY	DESCRIPTION	REV
48	1001167512	1	Bracket, Engine Tray Stow	
49	1001169823	1	Plate, Engine Lock	
51	1001171685	1	Cable, Battery (Red) (Battery Positive to Auxiliary Power Relay)	
52	1001171686	1	Cable, Battery (Black) (Battery Negative to Pivot Pin to Engine Ground)	
53	1001172795	1	Pipe, Exhaust	
54	5251010	2	Bolt, M10 x 20mm	
55	5261018	2	Nut, Flange M10	
56	1001170719	1	Clamp	
57	1001172003	1	Support, Muffler	
58	1001177228	1	Hose	
59	1001177167	1	Hose	
60	0760610	6	Bolt, M6 x 20mm	
61	1001191832	1	Nut, Rivet M8	
62	3790012	1	O-Ring	
63	1001161710	1	Switch, Toggle	
64	1001180017	1	Harness Engine - GM Engine (See ELECTRICAL SECTION for Breakdown)	
65	1001182150	1	Bracket	
66	1001182404	1	Hose	
67	1001155044	2	Nut, Special 15/32-32	
68	4811702	6	Washer M6	
69	4811902	1	Washer M8	
70	1001196376	1	Seal, Rubber	
71	4460466	8	Terminal, Sealing Plug (Not Shown) (SN 0300206617 to Present)	
72	4460930	1	Plug (Not Shown) (SN 0300206617 to Present)	
73	4812002	2	Washer M10 (SN 0300206617 to Present)	
74	1001204123	1	Plate, Support (SN 0300210489 to Present)	

SECTION 3 - ENGINE

FIGURE 3-17. ENGINE AND PUMP SUB-ASSEMBLY - GM ENGINE (WITHOUT ARCTIC PACKAGE)



ART_1001166202

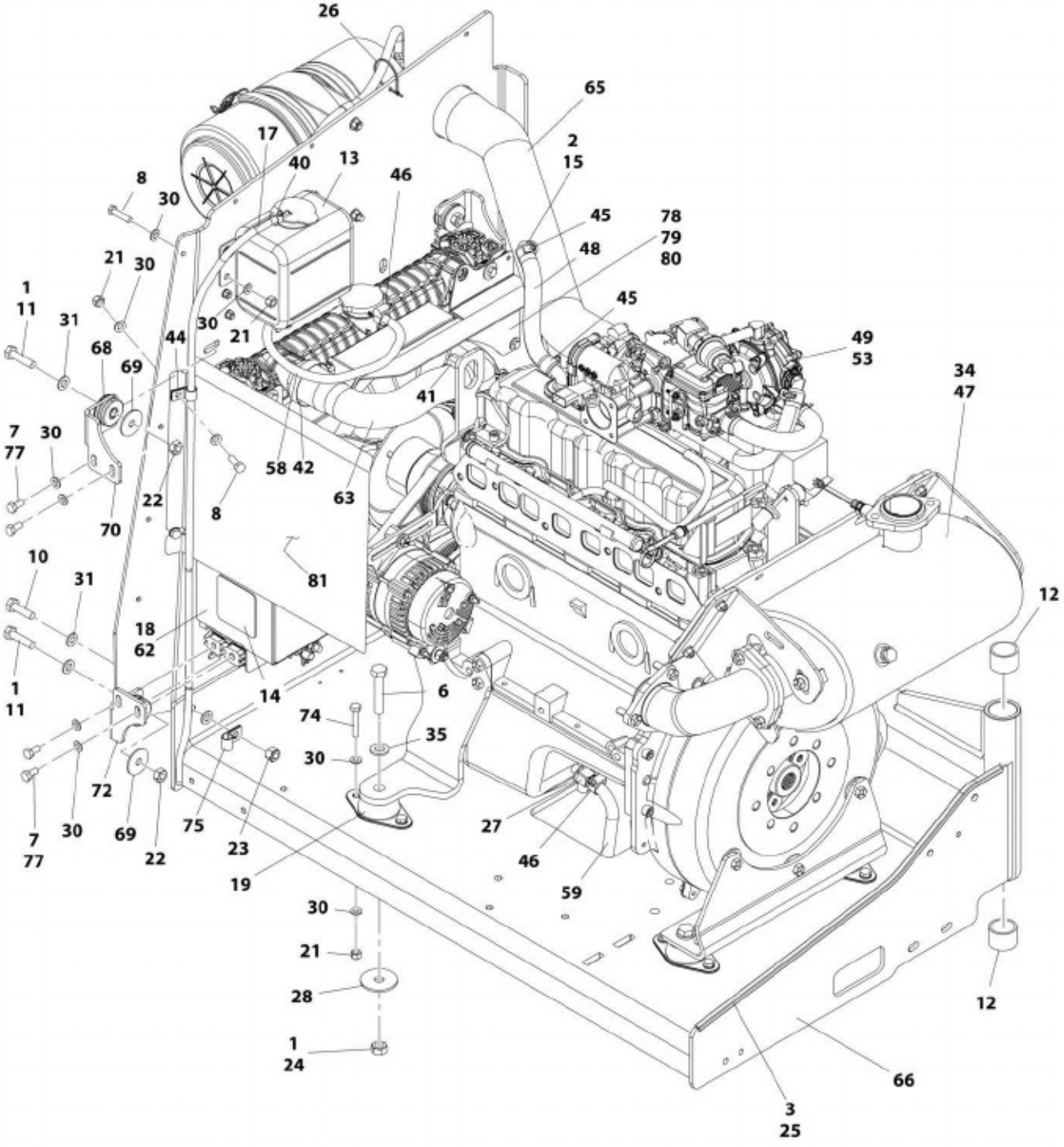
SECTION 3 - ENGINE

FIGURE 3-17. ENGINE AND PUMP SUB-ASSEMBLY - GM ENGINE (WITHOUT ARCTIC PACKAGE)

ITEM	PART NUMBER	QTY	DESCRIPTION	REV
	1001166202	1	ENGINE AND PUMP SUB-ASSEMBLY - GM ENGINE (WITHOUT ARCTIC PACKAGE)	H
1	0100011	AR	Compound, Locking	
2	0641812	2	Bolt, 1/2-13 x 1-1/2	
3	3020037	AR	Lube	
4	3600242	1	Gear Pump Assembly (See GEAR PUMP ASSEMBLY for Breakdown)	
5	3790152	1	O-Ring	
6	3931620	2	Capscrew, 3/8-16 x 1-1/4	
7	4891800	2	Washer, 1/2 Hardened	
8	4891600	2	Washer, 3/8 Hardened	
9	1001166203	1	Engine Assembly - GM Engine (Without Arctic Package) (See ENGINE ASSEMBLY - GM ENGINE (WITHOUT ARCTIC PACKAGE) for Breakdown)	
10	1001167036	1	Piston Pump Assembly (See PISTON PUMP ASSEMBLY for Breakdown)	
11	1001171953	1	Seal	
12	1001171954	1	Seal	

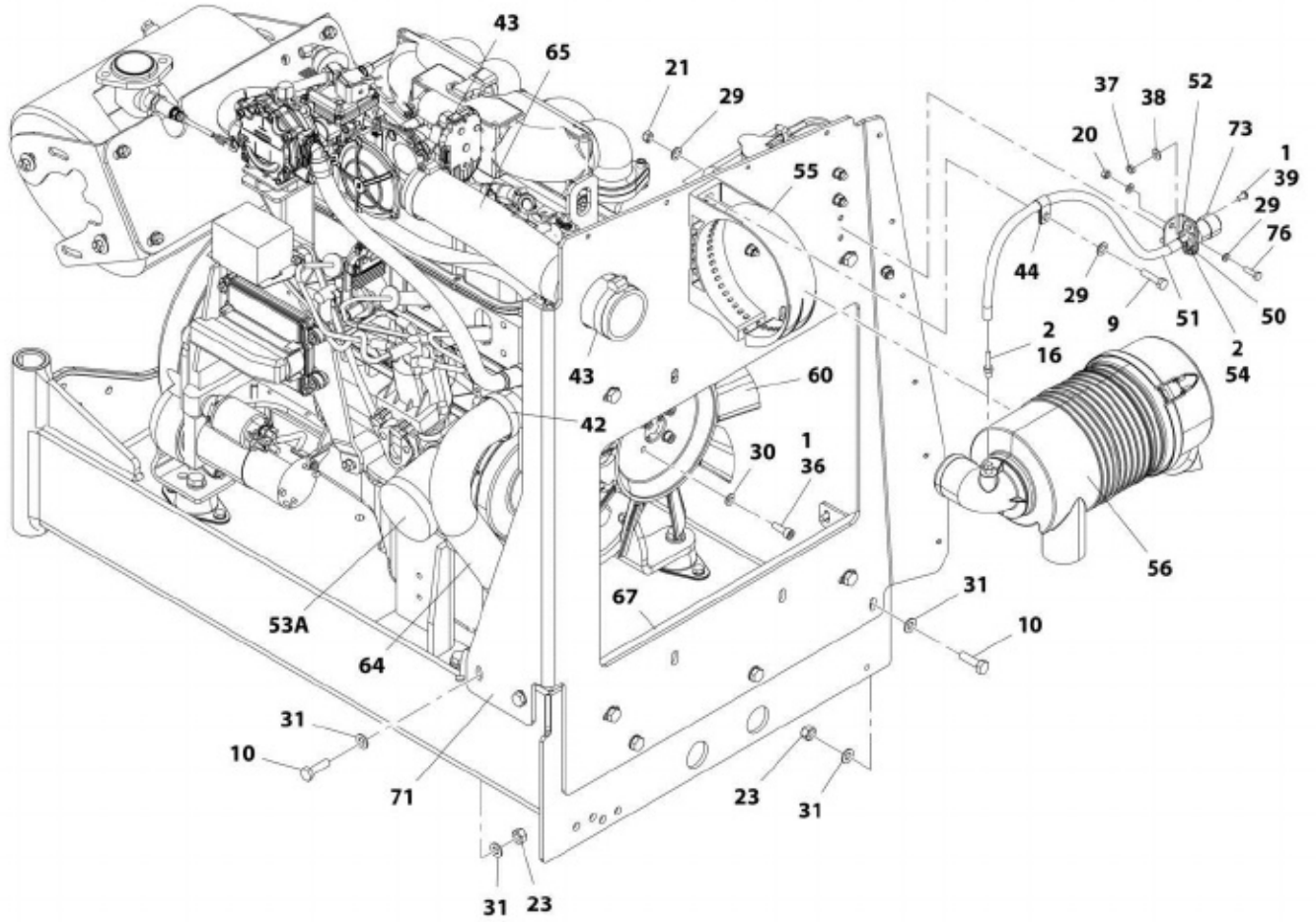
SECTION 3 - ENGINE

FIGURE 3-18. ENGINE ASSEMBLY - GM ENGINE (WITHOUT ARCTIC PACKAGE)



ART_1001166203_10F2

SECTION 3 - ENGINE



ART_1001166203_20F2

SECTION 3 - ENGINE

FIGURE 3-18. ENGINE ASSEMBLY - GM ENGINE (WITHOUT ARCTIC PACKAGE)

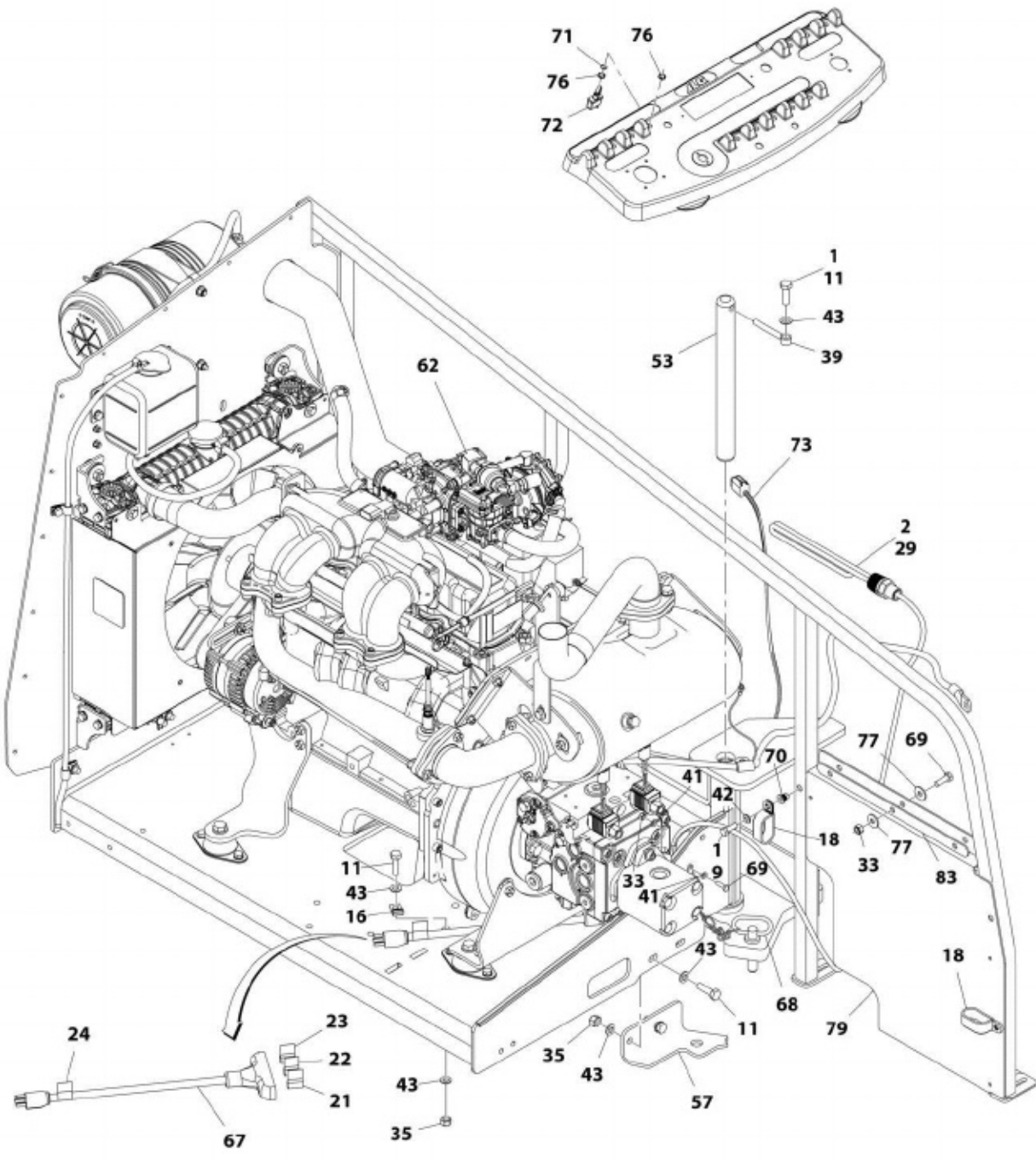
ITEM	PART NUMBER	QTY	DESCRIPTION	REV
	1001166203	Ref	ENGINE ASSEMBLY - GM ENGINE (WITHOUT ARCTIC PACKAGE)	H
1	0100011	AR	Compound, Locking	
2	0100020	AR	Sealant, Pipe	
3 6	0100081 0711221	AR 4	Adhesive Bolt, M12 x 65mm	
7	0760808	8	Bolt, M8 x 16mm	
8	0760812	6	Bolt, M8 x 25mm	
9	0760815	2	Bolt, M8 x 35mm	
10	0761015	5	Bolt, M10 x 35mm	
11	0761016	4	Bolt, M10 x 40mm	
12	0961951	2	Bushing	
13	1580011	1	Container, Coolant Overflow	
14	1703162	2	Decal - Caution Fan	
15	2180877	1	Fitting, Barbed 90	
16	2220315	1	Fitting, Barbed	
17	2720271	38.5 in /97.8cm	Hose	
18	2300004	2.7 gal /10.2L	Coolant, Anti-Freeze	
19	3200406	4	Mount, Rubber	
20	3290607	2	Nut, Lock M6 x 1	
21	3290805	16	Nut, Lock M8 x 1.25	
22	3291001	4	Nut, Lock M10 x 1.5	
23	3291005	5	Nut, Lock M10 x 1.5	
24	3331211	4	Nut, Lock M12 x 1.75	
25	4060805	2.25 ft /0.69m	Trim, Flex Shield	
26	4240099	AR	Tie-Strap (Not Shown)	
27	4640952	1	Valve, Oil Drain	
28	4740274	4	Washer, Snubbing	
29	4811700	4	Washer, M6	
30	4811900	44	Washer, M8	
31	4812000	14	Washer, M10	
34	4920385	10 ft	Wire, Safety	
35	5241200	4	Washer, M12 Hardened	
36	5271809	4	Bolt, M8 x 25mm	
37	8305401	2	Nut, Jam .250-20	
38	8307109	2	Washer, .250	
39	8310548	2	Screw, 1/4 NC x 1/2	
40	8405009	4	Clamp	
41	8405103	1	Clamp	
42	8405201	3	Clamp	
43	8405203	2	Clamp	
44	8406109	2	Clip	
45	8410009	2	Clamp	
47	1001091794	1	Insulation, Muffler	
48	1001091892	8 in /20cm	Hose	
49	1001190775	4.5 qt /4.3L	Oil, Engine	
50	1001138173	1	Support, Service Indicator	

SECTION 3 - ENGINE

ITEM	PART NUMBER	QTY	DESCRIPTION	REV
51	1001138248	2 ft /0.61m	Hose	
52	1001138175	1	Bracket, Service Indicator	
53	1001181430	1	Engine, GM 3.0L (See GM Engine Supplement P/N 3121245 for Breakdown of Additional Components)	
53A	7027965	1	Filter, Oil	
54	1001141995	1	Fitting, Barbed	
55	1001147812	1	Clamp, Air Cleaner	
56	1001147813	1	Air Cleaner Assembly Including Filter Element	
56	70004020	1	Element, Filter (Not Shown)	
58	1001156819	14.5 in /37cm	Hose	
59	1001165035	8 in /20.3cm	Hose	
60	2060025	1	Fan	
62	1001167193	1	Radiator	
63	1001167382	1	Hose, Upper Radiator	
64	1001167383	1	Hose, Lower Radiator	
65	1001167384	1	Hose, Air Intake	
66	1001167895	1	Tray, Engine	
67	1001168166	2	Seal	
68	1001169054	4	Isolator, Radiator	
69	1001169138	4	Washer, Snubbing	
70	1001169967	2	Bracket	
71	1001195714	1	Plate, Radiator Mounting	
72	1001170035	2	Bracket	
73	1001170981	1	Indicator	
74	0760814	8	Bolt, M8 x 30mm	
75	8406110	1	Clip	
76	0760610	2	Bolt, M6 x 20mm	
77	1001180620	AR	Adhesive	
78	0760606	2	Bolt M6 x 12 (Prior to SN 0300211980)	
78	5250605	2	Bolt M6 x 10 (SN 0300211980 to Present)	
79	4811702	2	Washer M6 (Prior to SN 0300211980)	
80	1001195699	1	Deflector, Air	
81	1001195700	1	Deflector, Air	

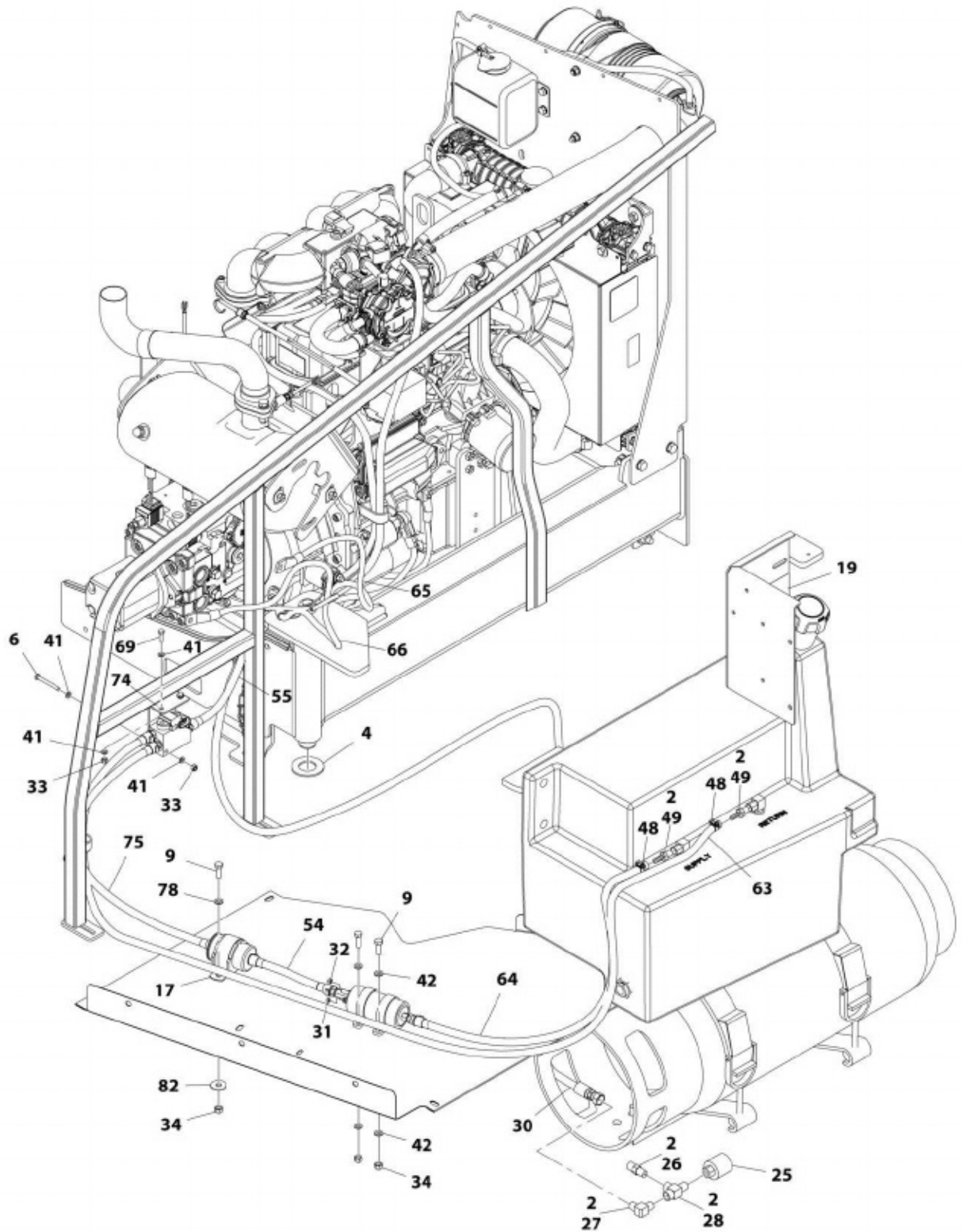
SECTION 3 - ENGINE

FIGURE 3-19. ENGINE INSTALLATION - GM ENGINE (WITH ARCTIC PACKAGE)



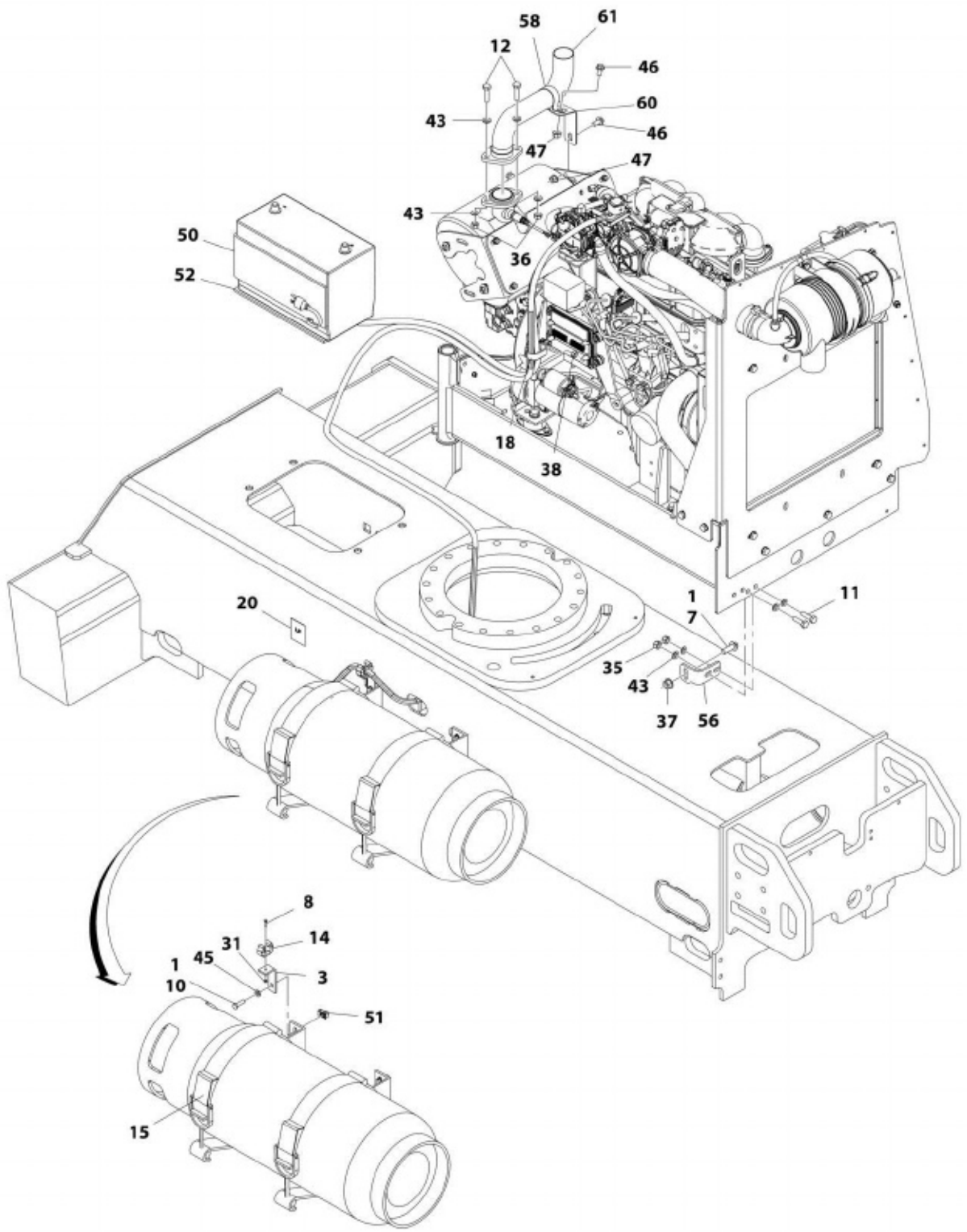
ART_1001174782_10F3

SECTION 3 - ENGINE



ART_1001174782_20F3

SECTION 3 - ENGINE



ART_1001174782_3OF3

SECTION 3 - ENGINE

FIGURE 3-19. ENGINE INSTALLATION - GM ENGINE (WITH ARCTIC PACKAGE)

ITEM	PART NUMBER	QTY	DESCRIPTION	REV
	1001174782	Ref	ENGINE INSTALLATION - GM ENGINE (WITH ARCTIC PACKAGE)	H
1	0100011	AR	Compound, Locking	
2	0100020	AR	Sealant, Pipe	
3	0181949	1	Angle	
4	0440162	1	Bearing	
6	0700619	2	Bolt, M6 x 55mm	
7	5251215	1	Bolt, M12 x 35mm	
8	0760408	1	Bolt, M4 x 16mm	
9	0760812	6	Bolt, M8 x 25mm	
10	0760814	4	Bolt, M8 x 30mm	
11	0761015	6	Bolt, M10 x 35mm	
12	0761016	2	Bolt, M10 x 40mm	
13	1060625	1	Cable, Immersion Heater (SN 0300199221 through 0300206616)	
14	1320218	1	Clamp	
15	1320220	1	Clamp Kit - LP	
15	4400275	1	Tank, LPG (Aluminum Tank)	
15	4400420	1	Tank, LPG (Steel Tank)	
16	1320223	1	Clamp	
17	1320323	1	Clamp	
18	1321716	3	Clamp	
19	1701542	1	Decal - Gas	
20	1701543	1	Decal - LPG	
21	1702941	1	Decal - Battery Heater	
22	1702942	1	Decal - Engine Block Heater	
23	1702943	1	Decal - Hydraulic Tank Heater	
24	1702944	1	Decal - Heater Cord	
25	2180387	1	Fitting, LP	
26	2180389	1	Fitting	
27	2180504	1	Fitting, Elbow	
28	2220290	1	Fitting, Tee FNPTF/NPTF/FNPTF	
29	2580050	1	Heater, Hydraulic Tank (SN 0300199221 through 0300206616)	
29	1001188972	1	Heater, Hydraulic Tank (SN 0300206617 to Present)	
30	2720149	1	Hose	
31	3290405	2	Nut, Lock M4 x 0.7	
32	3290505	1	Nut, Lock M5 x 0.8	
33	3290605	8	Nut, Lock M6 x 1	
34	3290805	5	Nut, Lock M8 x 1.25	
35	3291005	5	Nut, Lock M10 x 1.5	
36	3291007	2	Nut, Lock M10 x 1.5	
37	5261200	1	Nut, Flange M12 (Grade 10.9)	
38	3311605	1	Nut, Lock 3/8-16 (Prior to SN 0300214749, Prior to SN E300003115)	
39	3841143	1	Keeper, Pin	
41	4811700	10	Washer, M6	
42	4811900	9	Washer, M8	
43	4812000	15	Washer, M10	
45	5240800	4	Washer, M8 Hardened	
46	5251010	2	Bolt, M10 x 20mm	
47	5261018	2	Nut, Flange M10	

SECTION 3 - ENGINE

ITEM	PART NUMBER	QTY	DESCRIPTION	REV
48	1001174486	2	Clamp	
49	2180348	2	Fitting, Barbed	
50	1001097000	1	Heater, Battery (SN 0300199221 through 0300206616)	
50	2580024	1	Heater, Battery (SN 0300206617 to Present)	
51	1001118274	4	Nut, Special M8 x 1.25	
52	1001119278	1	Insulate	
53	1001135196	1	Pin	
54	1001156823	1	Hose	
55	1001182405	1	Hose	
56	1001167512	1	Bracket	
57	1001169823	1	Plate, Engine Lock	
58	1001170719	1	Clamp	
60	1001172003	1	Support, Muffler	
61	1001172795	1	Pipe, Exhaust	
62	1001174781	1	Engine and Pump Sub-Assembly - GM Engine (With Arctic Package) (See ENGINE AND PUMP SUB-ASSEMBLY - GM ENGINE (WITH ARCTIC PACKAGE) for Breakdown)	
63	1001177228	1	Hose	
64	1001177167	1	Hose	
65	1001171685	1	Cable, Battery (Red) (Battery Positive to Auxiliary Power Relay)	
66	1001171686	1	Cable, Battery (Black) (Battery Negative to Pivot Pin to Engine Ground)	
67	1060626	1	Cord, 3 Way Extension	
68	3422532	1	Pin	
69	0760610	6	Bolt, M6 x 20mm	
70	1001191832	1	Nut, Rivet M8	
71	3790012	1	O-Ring	
72	1001161710	1	Switch, Toggle	
73	1001180017	1	Harness Engine - GM Engine (See ELECTRICAL SECTION for Breakdown)	
74	1001182150	1	Bracket	
75	1001182404	1	Hose	
76	1001155044	2	Nut, Special 15/32-32	
77	4811702	6	Washer M6	
78	4811902	1	Washer M8	
79	1001196376	1	Seal, Rubber	
80	4460466	8	Plug, Terminal (Not Shown) (SN 0300206617 to Present)	
81	4460930	1	Plug, Male - 8 Position (Not Shown) (SN 0300206617 to Present)	
82	4812002	2	Washer M10 (SN 0300206617 to Present)	
83	1001204123	1	Plate, Support (SN 0300210489 to Present)	

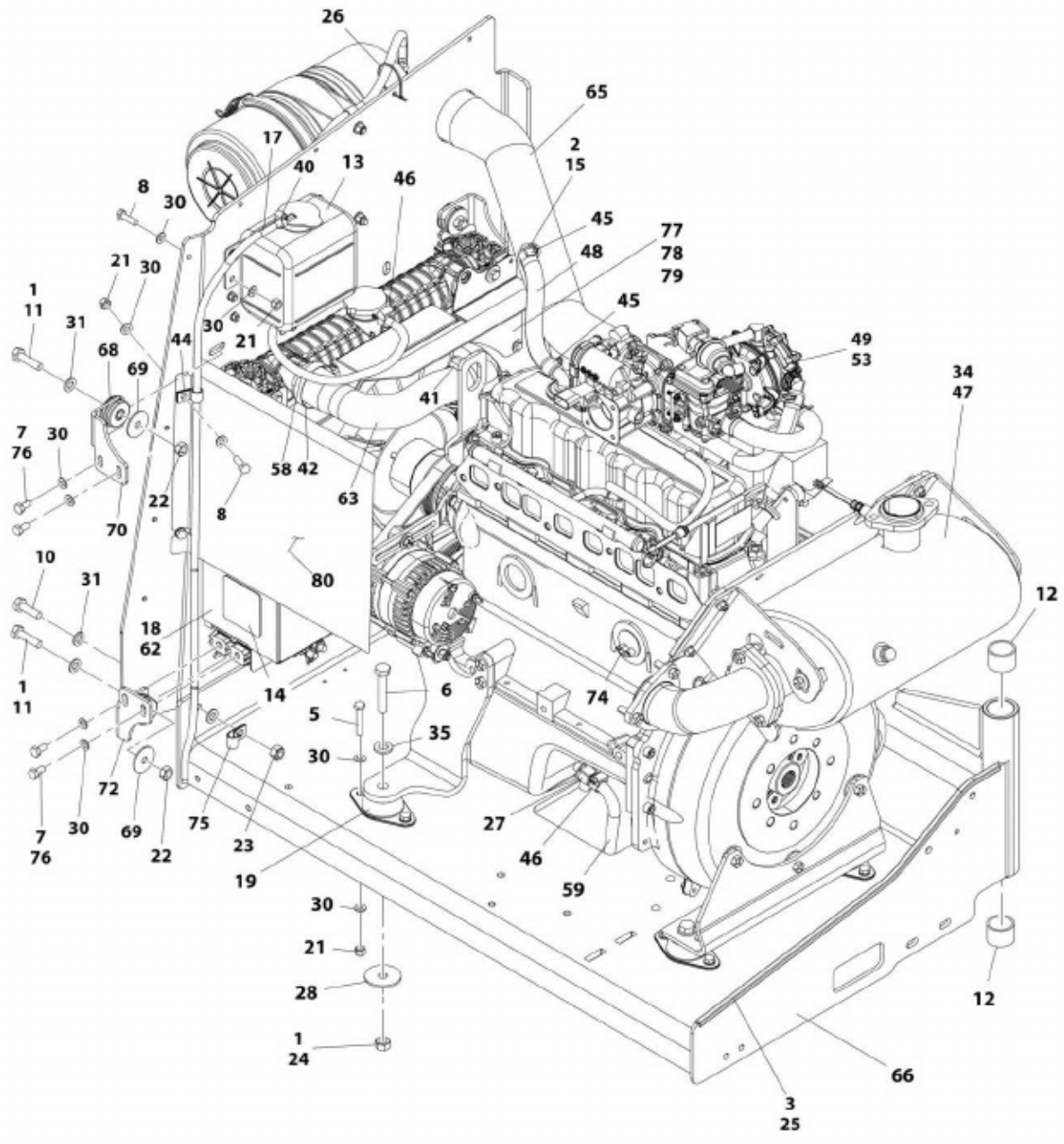
SECTION 3 - ENGINE

FIGURE 3-20. ENGINE AND PUMP SUB-ASSEMBLY - GM ENGINE (WITH ARCTIC PACKAGE)

ITEM	PART NUMBER	QTY	DESCRIPTION	REV
	1001174781	Ref	ENGINE AND PUMP SUB-ASSEMBLY - GM ENGINE (WITH ARCTIC PACKAGE)	H
1	0100011	AR	Compound, Locking	
2	0641812	2	Bolt, 1/2-13 x 1-1/2	
3	3020037	AR	Lube	
4	3600242	1	Gear Pump Assembly (See GEAR PUMP ASSEMBLY for Breakdown)	
5	3790152	1	O-Ring	
6	3931620	2	Capscrew, 3/8-16 x 1-1/4	
7	4891800	2	Washer, 1/2 Hardened	
8	4891600	2	Washer, 3/8 Hardened	
9	1001174780	1	Engine Assembly - GM Engine (With Arctic Package) (See ENGINE ASSEMBLY - GM ENGINE (WITH ARCTIC PACKAGE) for Breakdown)	
10	1001167036	1	Piston Pump Assembly (See PISTON PUMP ASSEMBLY for Breakdown)	
11	1001171953	1	Seal	
12	1001171954	1	Seal	

SECTION 3 - ENGINE

FIGURE 3-21. ENGINE ASSEMBLY - GM ENGINE (WITH ARCTIC PACKAGE)



ART_1001174780_10F2



SECTION 3 - ENGINE

FIGURE 3-21. ENGINE ASSEMBLY - GM ENGINE (WITH ARCTIC PACKAGE)

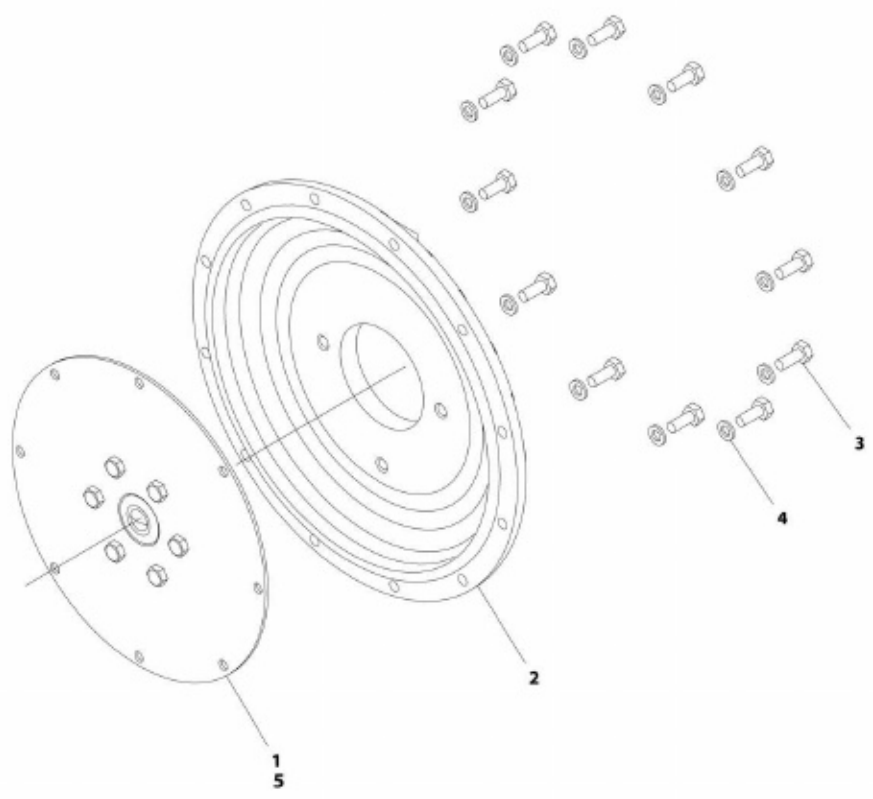
ITEM	PART NUMBER	QTY	DESCRIPTION	REV
	1001174780	Ref	ENGINE ASSEMBLY - GM ENGINE (WITH ARCTIC PACKAGE)	H
1	0100011	AR	Compound, Locking	
2	0100020	AR	Sealant, Pipe	
3	0100081	AR	Adhesive	
4	0760610	2	Bolt, M6 x 20mm	
5	0760814	8	Bolt, M8 x 30mm	
6	0711221	4	Bolt, M12 x 65mm	
7	0760808	8	Bolt, M8 x 16mm	
8	0760812	6	Bolt, M8 x 25mm	
9	0760815	2	Bolt, M8 x 35mm	
10	0761015	5	Bolt, M10 x 35mm	
11	0761016	4	Bolt, M10 x 40mm	
12	0961951	2	Bushing	
13	1580011	1	Container, Coolant Overflow	
14	1703162	2	Decal - Caution Fan	
15	2180877	1	Fitting, Elbow	
16	2220315	1	Fitting, Barbed	
17	2720271	38.5 in /97.8cm	Hose	
18	2300041	2.7 gal /10.2L	Coolant, Anti-Freeze	
19	3200406	4	Mount, Rubber	
20	3290607	2	Nut, Lock M6 x 1	
21	3290805	16	Nut, Lock M8 x 1.25	
22	3291001	4	Nut, M10 x 1.5	
23	3291005	5	Nut, Lock M10 x 1.5	
24	3331211	4	Nut, M12 x 1.75	
25	4060805	2.25 ft /0.69m	Trim, Flex Shield	
26	4240099	AR	Tie-Strap (Not Shown)	
27	4640952	1	Valve, Oil Drain	
28	4740274	4	Washer, Snubbing	
29	4811700	4	Washer, M6	
30	4811900	44	Washer, M8	
31	4812000	14	Washer, M10	
34	4920385	10 ft/3m	Wire, Safety	
35	5241200	4	Washer, M12 Hardened	
36	5271809	4	Bolt, M8 x 25mm	
37	8305401	2	Nut, Jam .250-20	
38	8307109	2	Washer, .250	
39	8310548	2	Screw, 1/4 NC x 1/2	
40	8405009	1	Clamp	
41	8405103	1	Clamp	
42	8405201	3	Clamp	
43	8405203	2	Clamp	
44	8406109	2	Clip	
45	8410009	2	Clamp	
46	8410013	3	Clamp	
47	1001091794	1	Insulation, Muffler	
48	1001091892	8 in /20cm	Hose	

SECTION 3 - ENGINE

ITEM	PART NUMBER	QTY	DESCRIPTION	REV
49	1001115931	4.5 qt /4.3L	Oil, Motor	
50	1001138173	1	Support, Service Indicator	
51	1001138248	2 ft /0.61m	Hose	
52	1001138175	1	Bracket, Service Indicator	
53	1001181430	1	Engine, GM 3.0L (See GM Engine Supplement P/N 3121245 for Breakdown of Additional Components)	
53	7027972	1	Filter, Fuel (Not Shown - Located on Tank of Machine)	
53	70002895	1	Module, ECU	
53A	7027965	1	Filter, Oil	
54	1001141995	1	Fitting, Barbed	
55	1001147812	1	Clamp, Air Cleaner	
56	1001147813	1	Air Cleaner Assembly Including Filter Element	
56	70004020	1	Element, Filter (Not Shown)	
58	1001156819	14.5 in /37cm	Hose	
59	1001165035	8 in /20.3cm	Hose	
60	2060025	1	Fan	
62	1001167193	1	Radiator	
63	1001167382	1	Hose, Upper Radiator	
64	1001167383	1	Hose, Lower Radiator	
65	1001167384	1	Hose, Air Intake	
66	1001167895	1	Tray, Engine	
67	1001168166	2	Seal	
68	1001169054	4	Isolator, Radiator	
69	1001169138	4	Washer, Snubbing	
70	1001169967	2	Bracket	
71	1001169974	1	Plate, Radiator Mounting	
72	1001170035	2	Bracket	
73	1001170981	1	Indicator	
74	2580063	1	Heater, Engine Block	
75	8406110	1	Clip	
76	1001180620	AR	Adhesive	
77	0760606	2	Bolt M6 x 12 (Prior to SN 0300211980)	
77	5250605	2	Bolt M6 x 10 (SN 0300211980 to Present)	
78	4811702	2	Washer M6 (Prior to SN 0300211980)	
79	1001195699	1	Deflector, Air	
80	1001195700	1	Deflector, Air	

SECTION 3 - ENGINE

FIGURE 3-22. PUMP COUPLING KIT



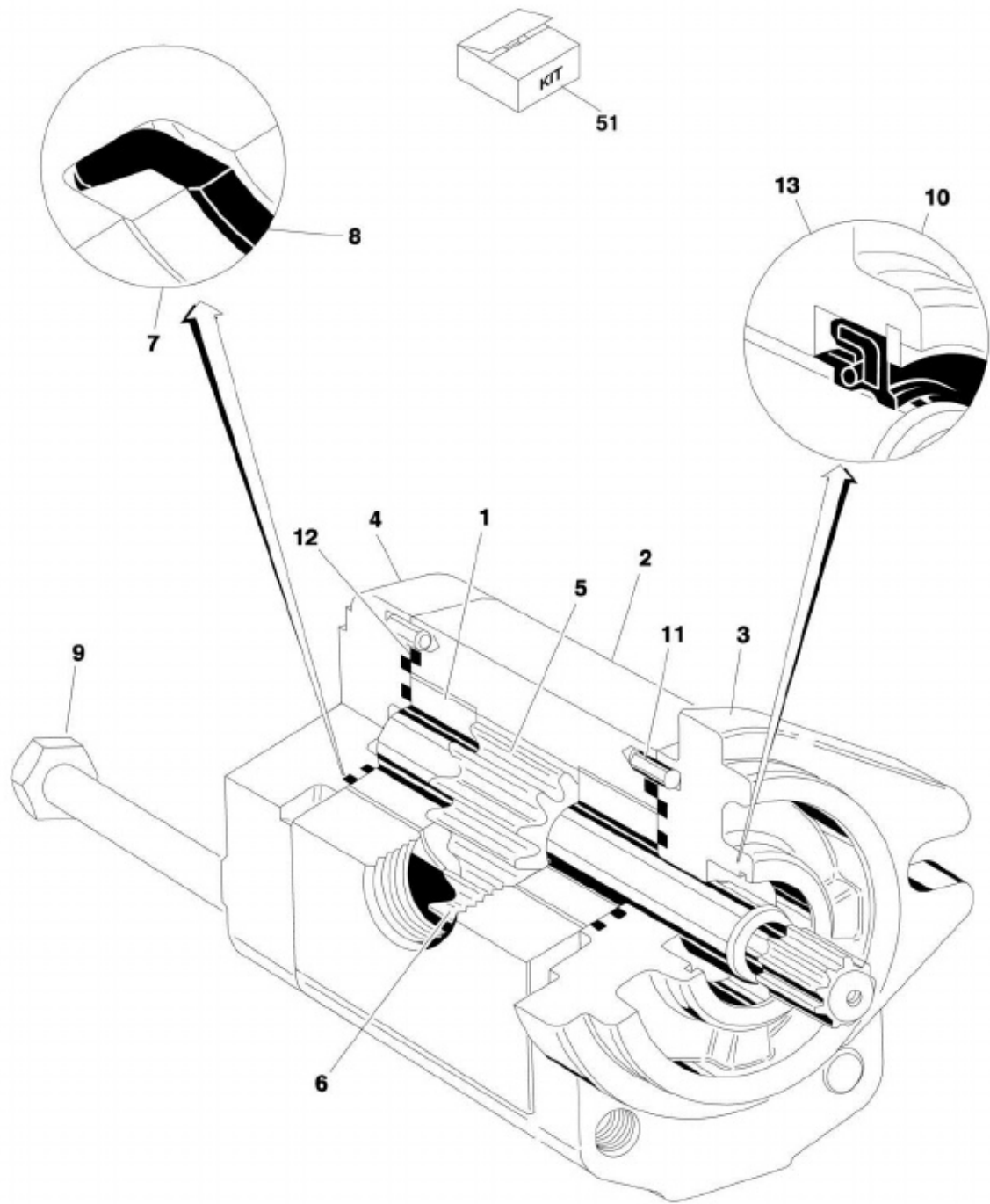
ART_2902665

FIGURE 3-22. PUMP COUPLING KIT

ITEM	PART NUMBER	QTY	DESCRIPTION	REV
	2902065	Ref	PUMP COUPLING KIT	I
1	70000793	1	Coupling, Hayes	
2	See Note	NSS	Plate, Pump Adapter (Note: Purchase p/n 2902065)	
3	See Note	NSS	Bolt M10 x 30 (Note: Purchase p/n 2902065)	
4	See Note	NSS	Washer M10 (Note: Purchase p/n 2902065)	
5	3020021	AR	Grease, Coupling	

SECTION 3 - ENGINE

FIGURE 3-23. GEAR PUMP ASSEMBLY



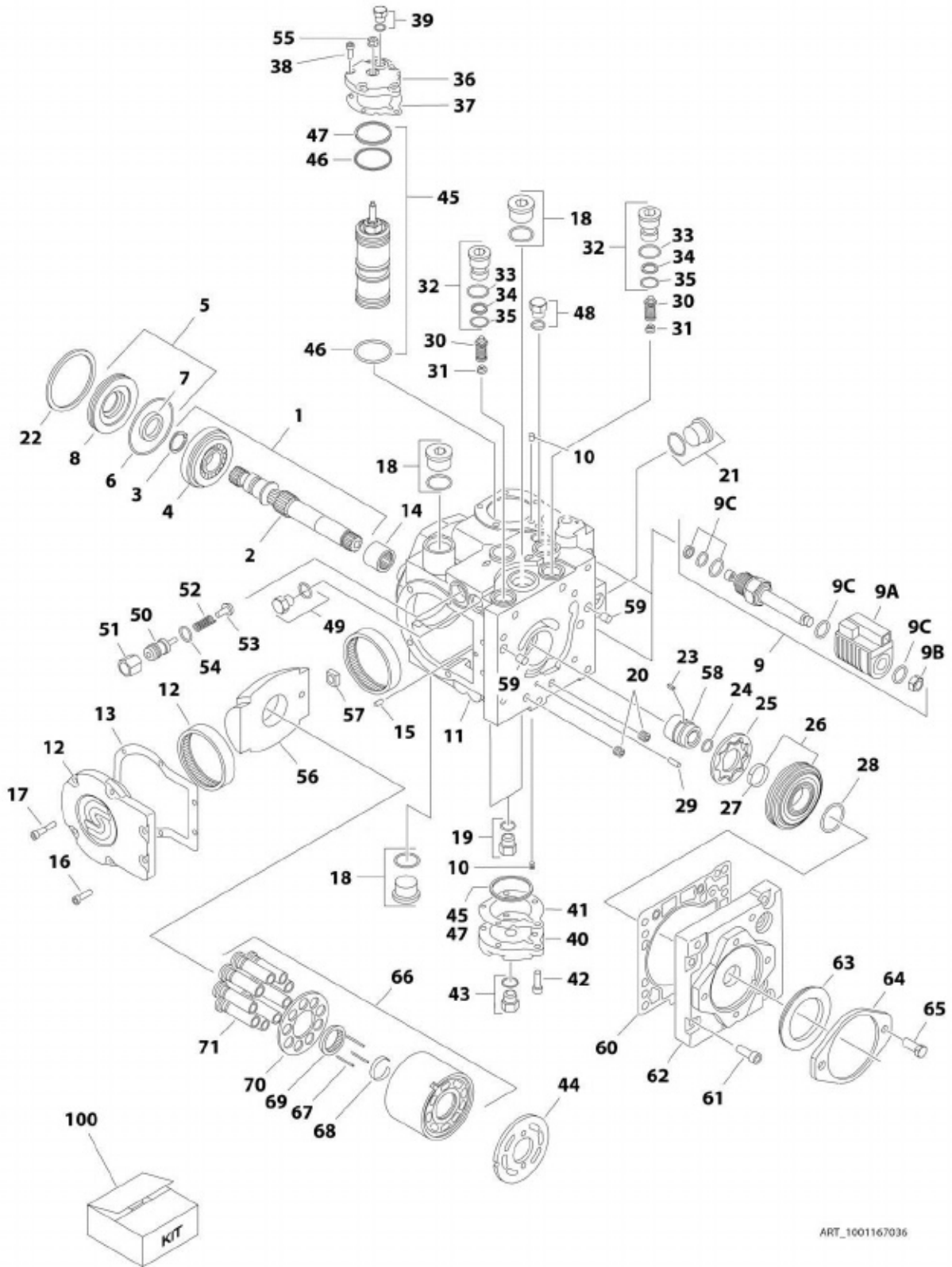
ART_3600242

FIGURE 3-23. GEAR PUMP ASSEMBLY

ITEM	PART NUMBER	QTY	DESCRIPTION	REV
	3600242	Ref	GEAR PUMP ASSEMBLY	
1	7010105	2	Bearing/Bushing	
2	See Note	NSS	Housing (Note: Not Available - Purchase Complete Assembly)	
3	See Note	NSS	Flange (Note: Not Available - Purchase Complete Assembly)	
4	7010103	1	Cover	
5	7012987	1	Gear, Drive	
6	7012988	1	Gear, Idler	
7	7007489	2	Ring, Anti-Extrusion	
8	7007489	2	Seal	
9	See Note	4	Bolt (Note: Not Available for Purchase)	
10	7010104	1	Ring, Retaining	
11	See Note	4	Pin, Dowel (Note: Not Available for Purchase)	
12	7007489	2	Seal, O-Ring	
13	7007489	1	Seal, Shaft	
51	7007489	1	Seal Kit (Includes Items 7, 8, 12 & 13)	

SECTION 3 - ENGINE

FIGURE 3-24. PISTON PUMP ASSEMBLY



ART_1001167036

FIGURE 3-24. PISTON PUMP ASSEMBLY

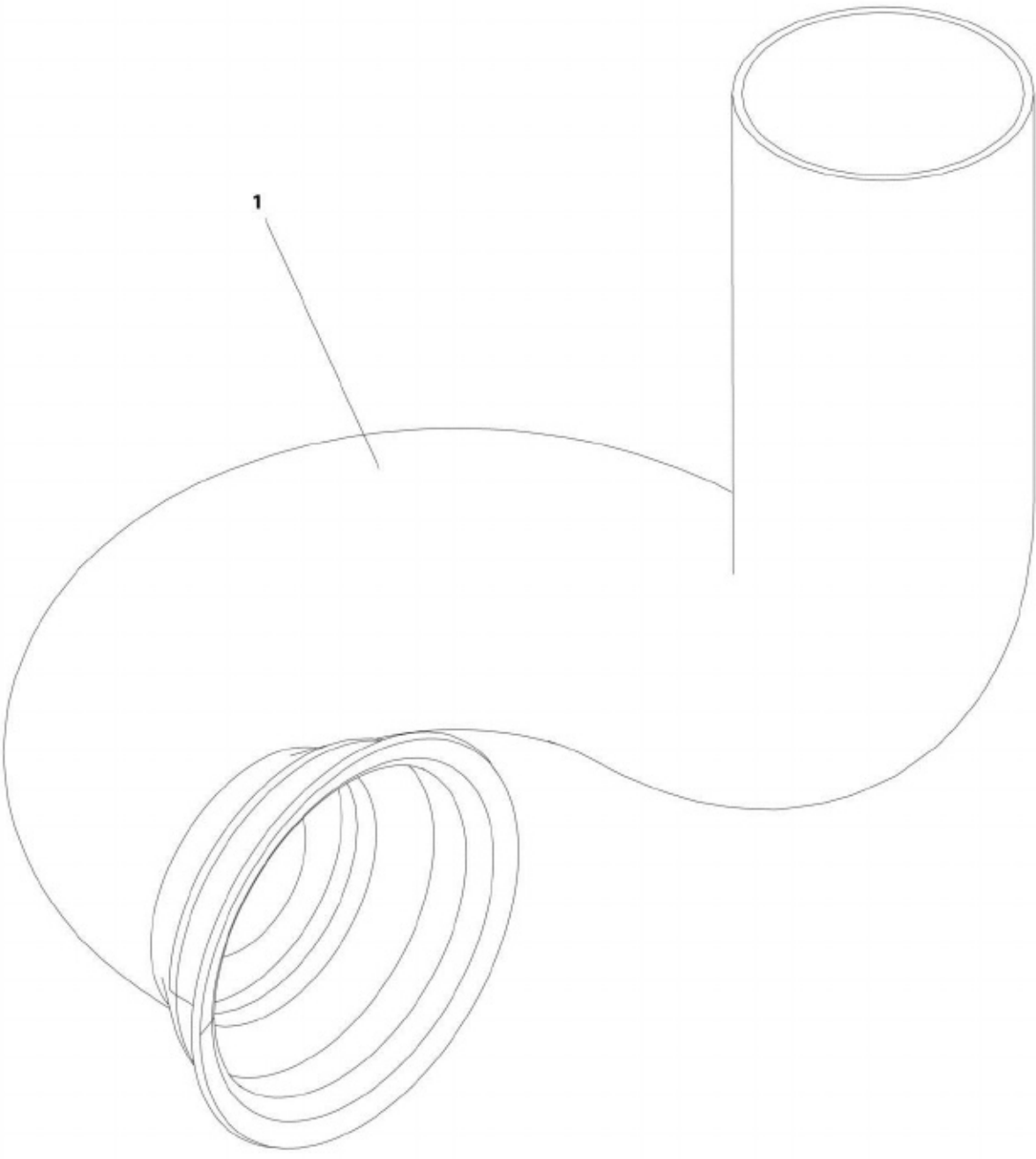
ITEM	PART NUMBER	QTY	DESCRIPTION	REV
	1001167036	Ref	PISTON PUMP ASSEMBLY	A
1	7021240	1	Shaft Assembly (Includes Items 2-4)	
2	7021237	1	Shaft	
3	7021238	1	Ring, Retaining	
4	7021239	1	Bearing, Roller	
5	70004896	1	Shaft Seal Kit (Includes Items 6-8)	
6	7021241	1	O-Ring	
7	7021242	1	Seal, Lip	
8	7021243	1	Carrier, Seal Shaft	
9	7024855	2	Solenoid Assembly	
9A	70004897	2	Coil (1 Per Assy)	
9B	7024857	2	Nut (1 Per Assy)	
9C	7024858	2	Seal Kit - 7024855 Cartridge (1 Per Assy)	
10	70004889	2	Orifice	
11	See Note	1	Housing Assembly (Note: Not Available for Purchase)	
12	7021248	1	Side Cover Assembly (Includes Item 13)	
13	70004891	1	Gasket	
14	7021249	1	Bearing, Needle	
15	See Note	1	Pin (Note: Not Available for Purchase)	
16	70004890	2	Screw	
17	70004892	4	Screw	
18	7007419	2	Plug Assembly (Includes O-Ring)	
19	7007420	2	Plug Assembly (Includes O-Ring)	
20	See Note	2	Plug (Note: Not Available for Purchase)	
21	7007419	1	Plug Assembly (Includes O-Ring)	
22	7021257	1	Ring, Retaining	
23	70004893	1	Key	
24	7022341	1	Ring, Retaining	
25	7021258	1	Gerotor	
26	70004894	1	Gerotor Cover Assembly (Includes Item 27)	
27	7021259	1	Bearing, Journal	
28	7021262	1	O-Ring	
29	See Note	1	Pin (Note: Not Available for Purchase)	
30	7021263	2	Bypass Valve Assembly	
31	7024800	2	Spring	
32	7021265	2	Bypass Valve Assembly (Includes Items 32-34)	
33	7007415	2	O-Ring	
34	7021293	2	Ring, Back-up	
35	7022300	2	O-Ring	
36	70004895	1	Cover, Servo	
37	7021253	1	Gasket	
38	70004892	5	Screw	
39	7007420	1	Plug Assembly (Includes O-Ring)	
40	7021268	1	Cover, Servo	
41	7021253	1	Gasket	
42	70004892	5	Screw	
43	7007420	1	Plug Assembly (Includes O-Ring)	
44	7021281	1	Plate, Valve	
45	70004898	1	Servo Piston Kit (Includes Items 46 & 47)	
46	7007495	2	O-Ring	

SECTION 3 - ENGINE

ITEM	PART NUMBER	QTY	DESCRIPTION	REV
47	7007493	2	O-Ring	
48	7007420	1	Plug Assembly (Includes O-Ring)	
49	70004900	1	Plug Assembly (Includes O-Ring)	
50	7022346	1	Adjuster	
51	7021290	1	Nut	
52	7022347	1	Spring	
53	70004901	1	Poppet	
54	7007415	1	O-Ring	
55	70004902	1	Nut, Seal	
56	70004903	1	Swash Plate	
57	70004904	1	Bearing Assembly	
58	70004905	1	Coupling	
59	7001481	2	Pin	
60	70002257	1	Gasket	
61	70004906	8	Screw	
62	70004907	1	Cover, Charge Pump	
63	70004908	1	Seal	
64	7021299	1	Plate, Cover	
65	7007289	2	Screw	
66	70004909	1	Cylinder Block Assembly (Includes Items 67-71)	
67	70004910	3	Pin, Slipper Hold Down	
68	7021276	1	Retainer, Hold Down Pin	
69	7021277	1	Guide, Slipper Retainer	
70	7021278	1	Retainer, Slipper	
71	70004911	1	Piston Assembly	
100	70004899	1	Seal Kit (Includes Items 5-8, 33-35, 37, 41,46, 47 & 54)	

SECTION 3 - ENGINE

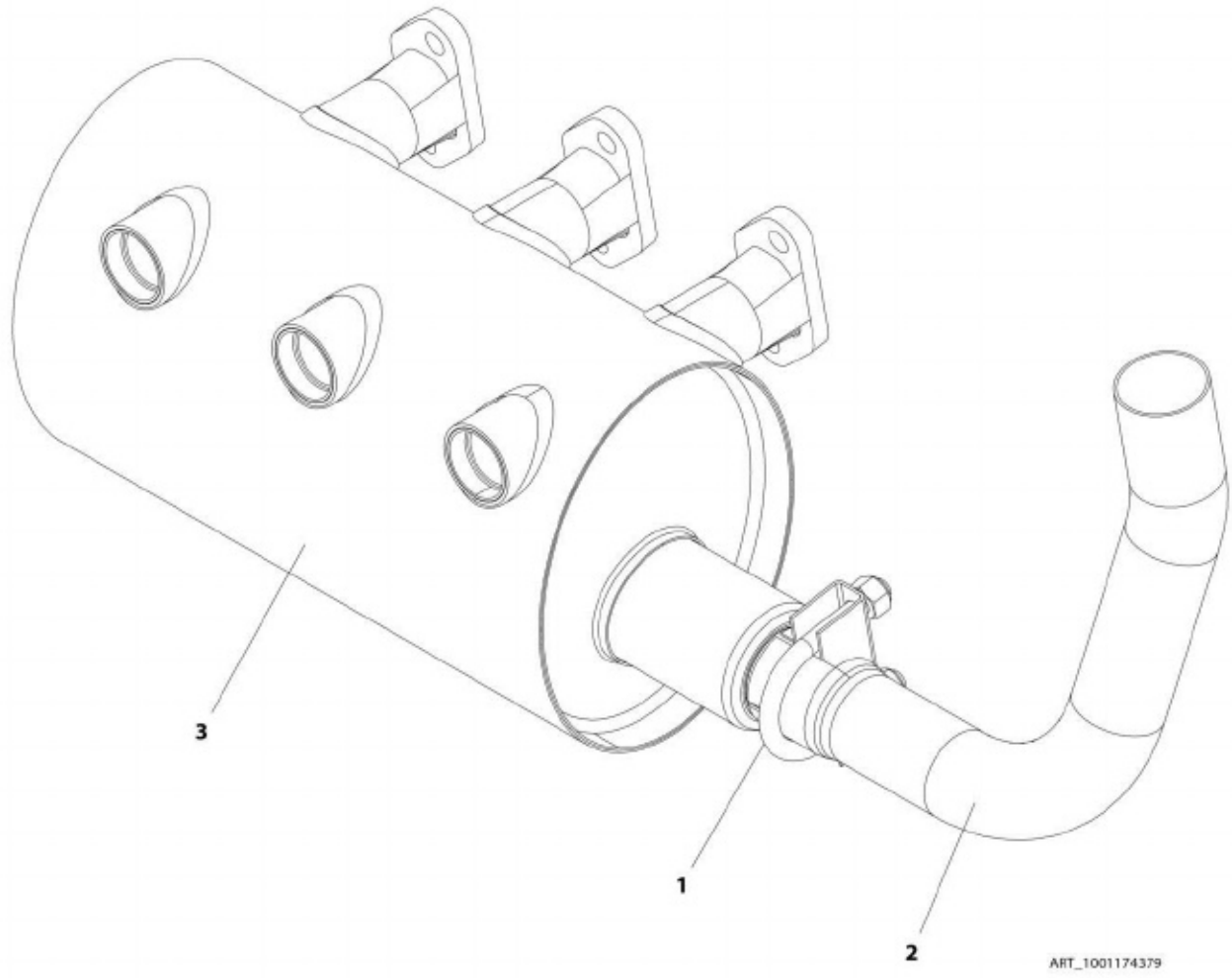
FIGURE 3-25. SPARK ARRESTOR INSTALLATION - DEUTZ D2.9L4 ENGINE



ART_1001174335

SECTION 3 - ENGINE

FIGURE 3-26. CATALYTIC SPARK ARRESTOR INSTALLATION - DEUTZ D2.3L3 ENGINE



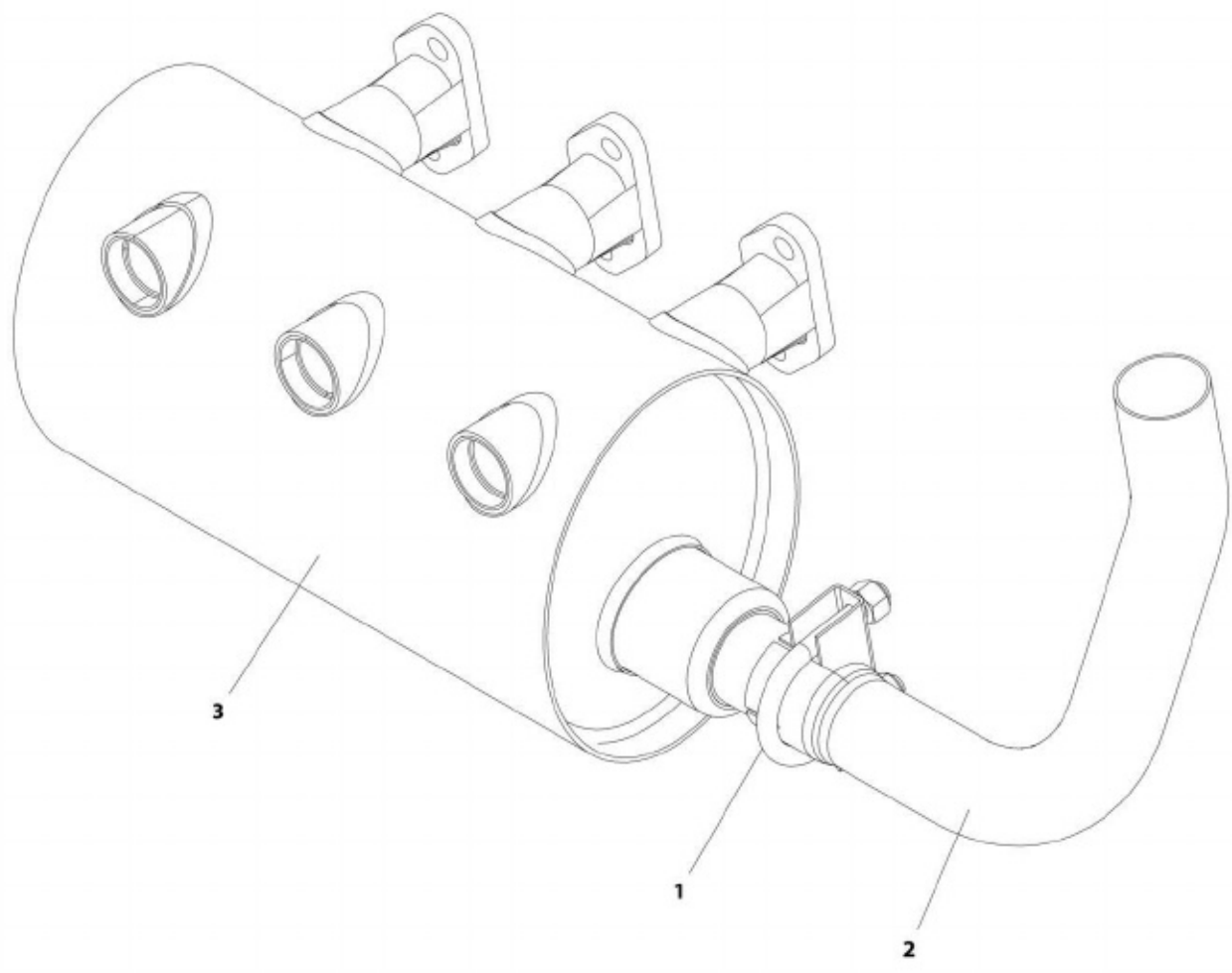
SECTION 3 - ENGINE

FIGURE 3-26. CATALYTIC SPARK ARRESTOR INSTALLATION - DEUTZ D2.3L3 ENGINE

ITEM	PART NUMBER	QTY	DESCRIPTION	REV
	1001174379	Ref	CATALYTIC SPARK ARRESTOR INSTALLATION - DEUTZ D2.3L3 ENGINE	A
1	1320176	1	Clamp	
2	1001169525	1	Pipe, Exhaust	
3	1001170225	1	Muffler, Catalytic Spark Arresting	

SECTION 3 - ENGINE

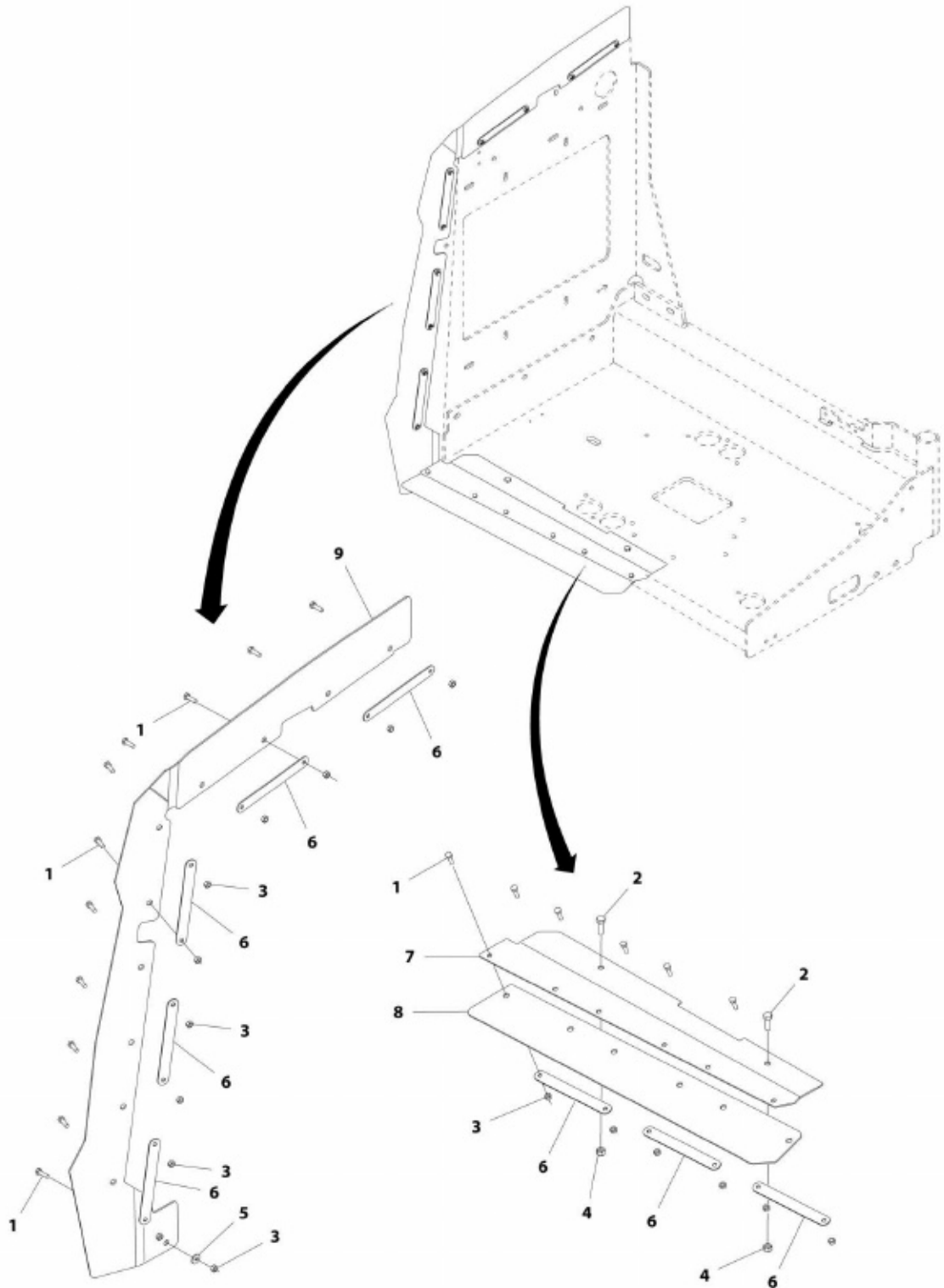
FIGURE 3-27. SPARK ARRESTOR INSTALLATION - DEUTZ D2.3L3 ENGINE



ART_1001174378

SECTION 3 - ENGINE

FIGURE 3-28. ENGINE Baffle INSTALLATION



ART_1001172205

FIGURE 3-28. ENGINE BAFFLE INSTALLATION

ITEM	PART NUMBER	QTY	DESCRIPTION	REV
	1001172265	Ref	ENGINE BAFFLE INSTALLATION	B
1	0760610	17	Bolt, M6 x 20mm	
2	0760812	2	Bolt, M8 x 25mm	
3	3290605	17	Nut, Lock M6 x 1	
4	3290805	2	Nut, Lock M8 x 1.25	
5	4811702	1	Washer, M6	
6	1001167164	8	Plate, Support	
7	1001170663	1	Bracket	
8	1001170664	1	Seal	
9	1001172264	1	Seal	

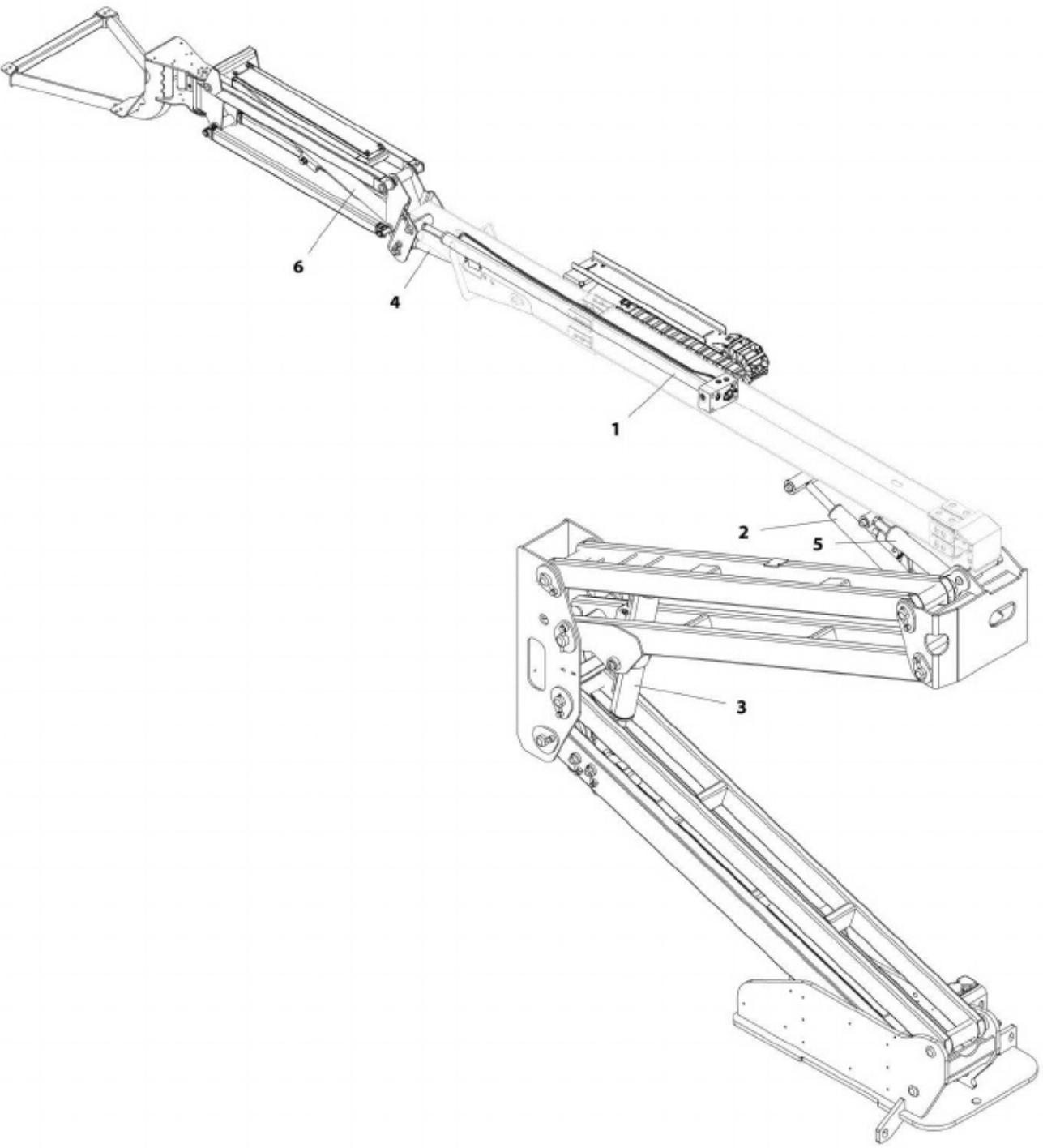
SECTION 4 - BOOM

FIGURE 4-1. CYLINDERS INSTALLATION - USA BUILT MACHINES

ITEM	PART NUMBER	QTY	DESCRIPTION	REV
	1001163856	Ref	CYLINDERS INSTALLATION - USA BUILT MACHINES	C
1	1001161716	1	Level (Platform Slave) Cylinder Assembly (See CYLINDER SECTION for Breakdown)	
2	1001161717	1	Master Cylinder Assembly (See CYLINDER SECTION for Breakdown)	
3	1001163767	1	Lift Cylinder Assembly - Jib (See CYLINDER SECTION for Breakdown)	
4	1001164523	1	Telescope Cylinder Assembly (See CYLINDER SECTION for Breakdown)	
5	1001161715	1	Lift Cylinder Assembly - Tower Boom (See CYLINDER SECTION for Breakdown)	
6	1001181705	1	Lift Cylinder Assembly - Main Boom (See CYLINDER SECTION for Breakdown)	
7	1001148972	1	Valve, Solenoid Cartridge w/Coil	
7	70002401	1	Valve, Solenoid Cartridge Less Coil	
7	7017496	1	Seal Kit - 70002401 and 1001148972 Valves	
7	70003788	1	Coil	
8	1001164709	1	Valve, Solenoid Cartridge w/Coil	
8	7017467	1	Valve, Solenoid Cartridge Less Coil	
8	7012967	1	Seal Kit - 7017467 and 1001164709 Valves	
8	70002386	1	Coil	

SECTION 4 - BOOM

FIGURE 4-2. CYLINDERS INSTALLATION - ROMANIAN BUILT MACHINES



ART_1001163857

FIGURE 4-2. CYLINDERS INSTALLATION - ROMANIAN BUILT MACHINES


	ITEM	PART NUMBER	QTY	DESCRIPTION	REV
		1001163857	Ref	CYLINDERS INSTALLATION - ROMANIAN BUILT MACHINES	B
	1	1001161713	1	Telescope Cylinder Assembly (See CYLINDER SECTION for Breakdown)	
	2	1001181324	1	Lift Cylinder Assembly - Main Boom (See CYLINDER SECTION for Breakdown)	
	3	1001161715	1	Lift Cylinder Assembly - Tower Boom (See CYLINDER SECTION for Breakdown)	
	4	1001161716	1	Level (Platform Slave) Cylinder Assembly (See CYLINDER SECTION for Breakdown)	
	5	1001161717	1	Master Cylinder Assembly (See CYLINDER SECTION for Breakdown)	
	6	1001163767	1	Lift Cylinder Assembly - Jib (See CYLINDER SECTION for Breakdown)	

FIGURE 4-3. BOOM INSTALLATION - USA BUILT MACHINES

ITEM	PART NUMBER	QTY	DESCRIPTION	REV
	1001180872	Ref	BOOM INSTALLATION - USA BUILT MACHINES	C
1	0100011	AR	Compound, Locking	
2	0761012	3	Bolt, M10 x 25mm	
3	0761015	3	Bolt, M10 x 35mm	
4	0761212	2	Bolt, M12 x 25mm	
5	0761215	2	Bolt, M12 x 35mm	
6	3291005	3	Nut, Lock M10 x 1.5 (Grade8)	
7	3291205	2	Nut, Lock M12 x 1.75 (Grade8)	
8	3422755	1	Pin	
9	3422792	1	Pin	
10	3422793	2	Pin	
11	3422806	1	Pin	
12	3841143	4	Keeper, Pin	
13	3841203	4	Keeper, Pin	
14	4812000	4	Washer, M10	
17	1001112607	2	Block, Boom Rest	
18	1001164016	1	Jib Installation (See JIB INSTALLATION - USA BUILT MACHINES for Breakdown)	
19	1001169246	1	Pin	
20	1001169247	1	Pin	
21	3423038	1	Pin	
23	1001178636	1	Main Boom Assembly (See MAIN BOOM ASSEMBLY for Breakdown)	
24	1001180004	1	Tower Boom Assembly (See TOWER BOOM ASSEMBLY - USA BUILT MACHINES for Breakdown)	

SECTION 4 - BOOM

FIGURE 4-4. BOOM INSTALLATION - ROMANIAN BUILT MACHINES

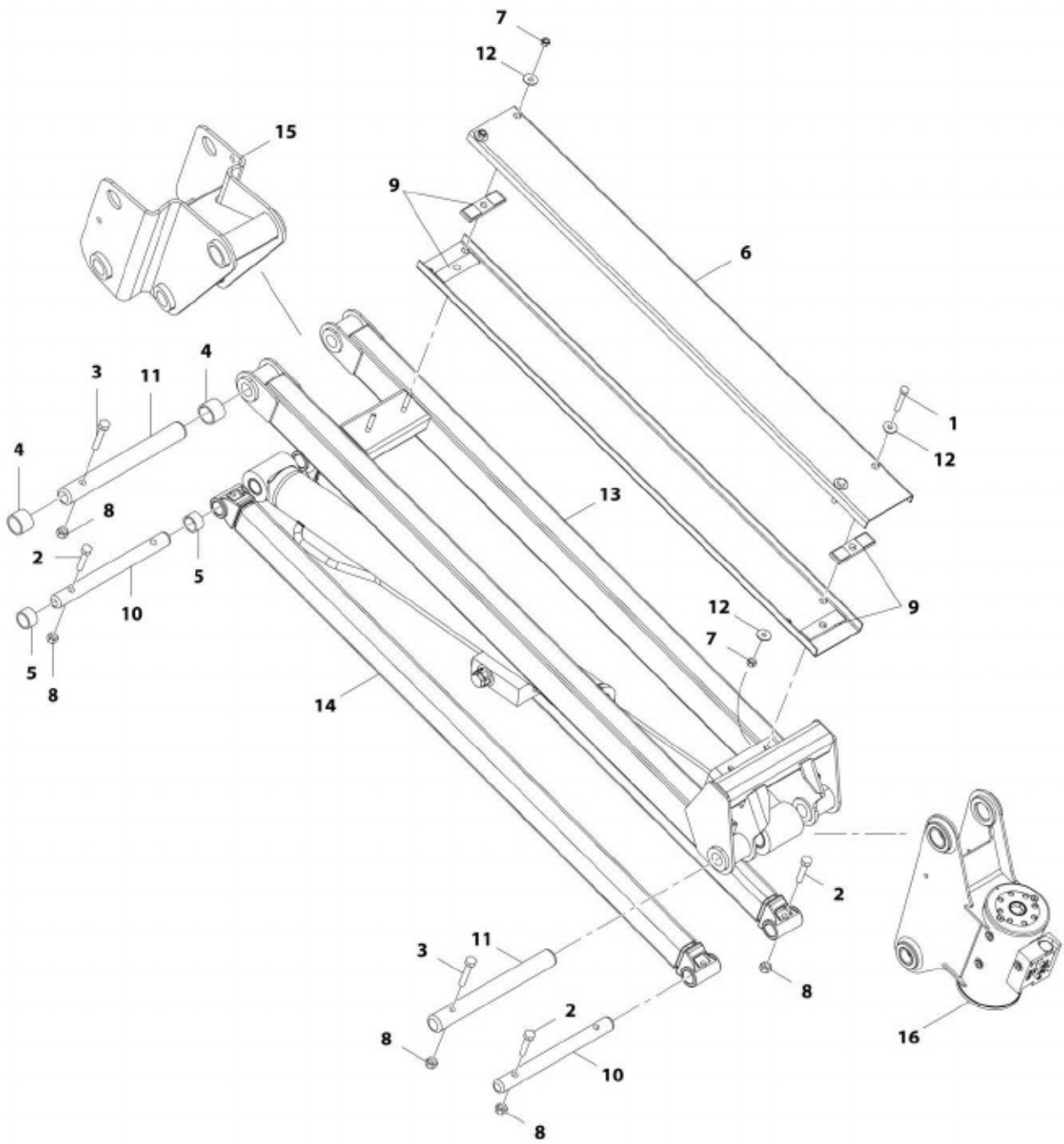


FIGURE 4-4. BOOM INSTALLATION - ROMANIAN BUILT MACHINES

ITEM	PART NUMBER	QTY	DESCRIPTION	REV
	1001180873	Ref	BOOM INSTALLATION - ROMANIAN BUILT MACHINES	C
1	0100011	AR	Compound, Locking	
2	0761012	3	Bolt, M10 x 25mm	
3	0761015	3	Bolt, M10 x 35mm	
4	0761212	2	Bolt, M12 x 25mm	
5	0761215	2	Bolt, M12 x 35mm	
6	3291005	3	Nut, Lock M10 x 1.5	
7	3291205	2	Nut, Lock M12 x 1.75	
8	3422755	1	Pin	
9	3422792	1	Pin	
10	3422793	2	Pin	
11	3422806	1	Pin	
12	3841143	4	Keeper, Pin	
13	3841203	4	Keeper, Pin	
14	4812000	4	Washer, M10	
17	1001112607	2	Block, Boom Rest	
18	1001164017	1	Jib Installation (See JIB INSTALLATION - ROMANIAN BUILT MACHINES for Breakdown)	
19	1001169246	1	Pin	
20	1001169247	1	Pin	
21	3423038	1	Pin	
23	1001178636	1	Main Boom Assembly (See MAIN BOOM ASSEMBLY for Breakdown)	
24	1001180005	1	Tower Boom Assembly (See TOWER BOOM ASSEMBLY - ROMANIAN BUILT MACHINES for Breakdown)	

SECTION 4 - BOOM

FIGURE 4-6. JIB INSTALLATION - ROMANIAN BUILT MACHINES



ART_1001164017

SECTION 4 - BOOM

FIGURE 4-7. MAIN BOOM ASSEMBLY

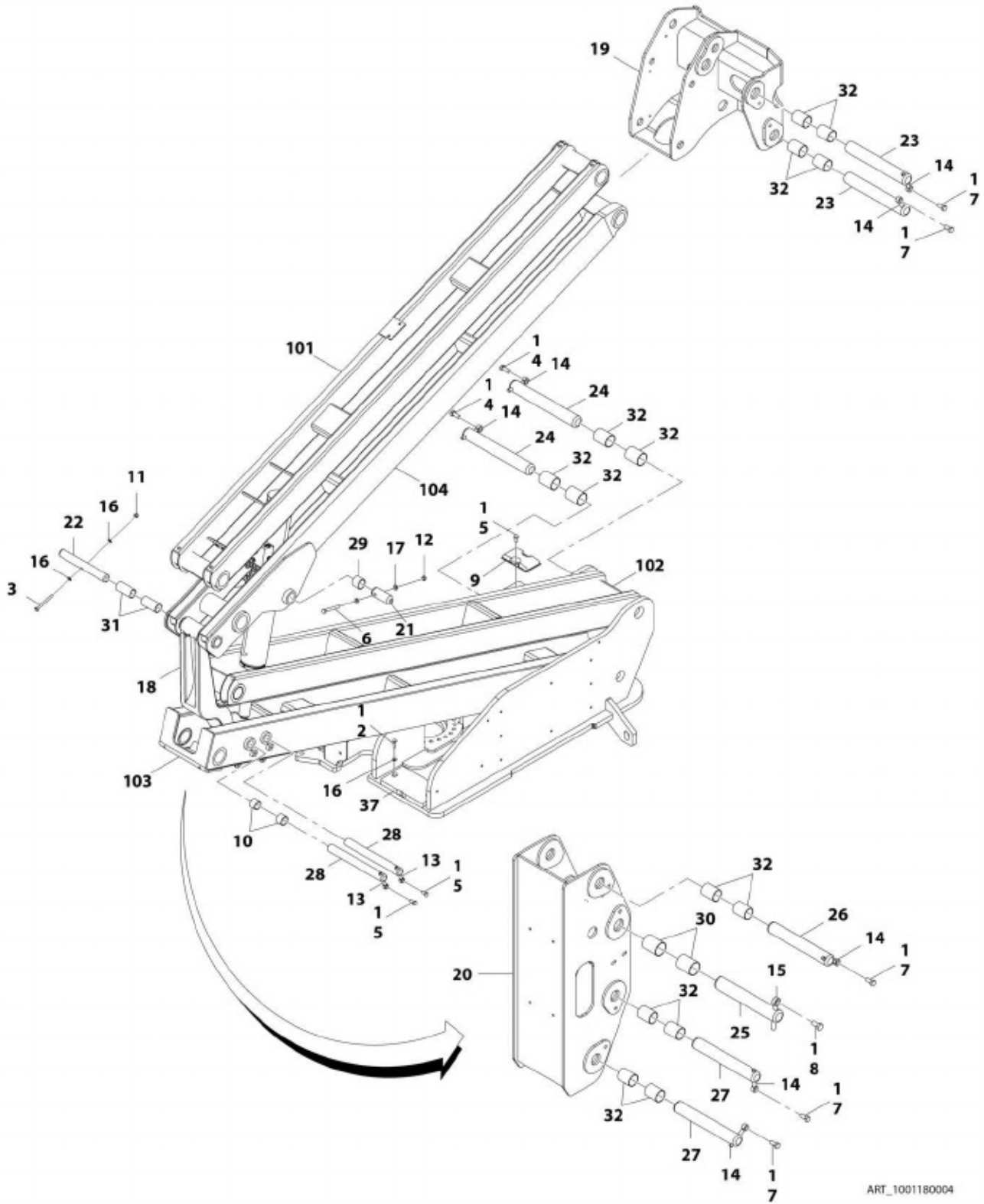


FIGURE 4-7. MAIN BOOM ASSEMBLY

ITEM	PART NUMBER	QTY	DESCRIPTION	REV
	1001178636	Ref	MAIN BOOM ASSEMBLY	B
1	0100011	AR	Compound, Locking	
2	0711227	4	Bolt, M12 x 100mm	
3	0760812	4	Bolt, M8 x 25mm	
4	0961948	2	Bearing	
5	0961949	2	Bearing	
6	3291005	10	Nut, Lock M10 x 1.5	
7	3760115	2	Ring, Retaining	
8	3900351	4	Screw, M10 x 1.5 x 30mm	
9	4070897	12	Shim	
10	4070898	12	Shim	
11	4811902	4	Washer, M8	
12	4812000	18	Washer, M10	
13	5241200	4	Washer, M12 Hardened	
14	5251010	20	Bolt, M10 x 20mm	
15	5251012	4	Bolt, M10 x 25mm	
16	8310668	6	Screw, M10-1.5 x 25mm (Grade 10.9)	
17	1001118274	4	Nut, M8 x 1.25	
18	1001166646	1	Powertrack Assembly	
18	70005102	1	Link, Repair	
18	70005103	1	Feet, Mounting	
19	1001166651	1	Tube, Carrier	
20	1001169304	12	Pad, Wear	
21	1001169305	4	Pad, Wear	
22	1001169402	4	Shim	
23	1001169403	2	Shim	
24	1001170226	1	Cover, Boom End	
25	1001177896	1	Fly, Boom	
26	1001177897	1	Base, Boom	
27	1001180540	1	Pin	
28	1670836	1	Cover	
29	5251009	8	Bolt, M10 x 18mm	

SECTION 4 - BOOM

FIGURE 4-8. TOWER BOOM ASSEMBLY - USA BUILT MACHINES



ART_1001180004

FIGURE 4-8. TOWER BOOM ASSEMBLY - USA BUILT MACHINES

ITEM	PART NUMBER	QTY	DESCRIPTION	REV
	1001180004	Ref	TOWER BOOM ASSEMBLY - USA BUILT MACHINES	C
1	0100011	AR	Compound, Locking	
2	0701015	2	Bolt, M10 x 35mm	
3	0701027	1	Bolt, M10 x 100mm	
4	0701616	2	Bolt, M16 x 40mm	
5	0761212	4	Bolt, M12 x 25mm	
6	0761227	2	Bolt, M12 x 100mm	
7	0761615	5	Bolt, M16 x 35mm	
8	0762016	1	Bolt, M20 x 40mm	
9	0940048	1	Bumper	
10	0961948	2	Bearing	
11	3291005	1	Nut, Lock M10 x 1.5	
12	3291205	2	Nut, Lock M12 x 1.75	
13	3841203	2	Keeper, Pin	
14	3841258	7	Keeper, Pin	
15	3841287	1	Keeper, Pin	
16	4812000	4	Washer, M10	
17	4812100	4	Washer, M12	
18	1001166096	1	Link, Timing	
19	1001166852	1	Upright, Upper	
20	1001166853	1	Upright, Lower	
21	1001169240	2	Pin	
22	1001169241	1	Pin	
23	1001169242	2	Pin	
24	1001169249	2	Pin	
25	1001169295	1	Pin	
26	1001169296	1	Pin	
27	1001169297	2	Pin	
28	1001169298	2	Pin	
29	1001169299	2	Bearing	
30	1001169300	2	Bearing	
31	1001169301	2	Bearing	
32	1001169302	14	Bearing	
37	1001180056	1	Pad, Wear	
100	1001190633	1	Tower Boom Kit (Not Shown - Includes Items 101-104)	
101	1001174536	1	Link, Upper Tower Boom	
102	1001174537	1	Link, Lower Tower Boom	
103	1001178133	1	Tower Boom (Lower)	
104	1001178135	1	Tower, Boom (Upper)	

FIGURE 4-9. TOWER BOOM ASSEMBLY - ROMANIAN BUILT MACHINES

ITEM	PART NUMBER	QTY	DESCRIPTION	REV
	1001180005	Ref	TOWER BOOM ASSEMBLY - ROMANIAN BUILT MACHINES	B
1	0100011	AR	Compound, Locking	
2	0701015	2	Bolt, M10 x 35mm	
3	0701027	1	Bolt, M10 x 100mm	
4	0701616	2	Bolt, M16 x 40mm	
5	0761212	4	Bolt, M12 x 25mm	
6	0761227	2	Bolt, M12 x 100mm	
7	0761615	5	Bolt, M16 x 35mm	
8	0762016	1	Bolt, M20 x 40mm	
9	0940048	1	Bumper	
10	0961948	2	Bearing	
11	3291005	1	Nut, Lock M10 x 1.5	
12	3291205	2	Nut, Lock M12 x 1.75	
13	3841203	2	Keeper, Pin	
14	3841258	7	Keeper, Pin	
15	3841287	1	Keeper, Pin	
16	4812000	4	Washer, M10	
17	4812100	4	Washer, M12	
18	1001160859	1	Link, Lower Tower Boom	
19	1001160872	1	Link, Upper Tower Boom	
20	1001166096	1	Link, Timing	
21	1001166852	1	Upright, Upper	
22	1001166853	1	Upright, Lower	
23	1001169240	2	Pin	
24	1001169241	1	Pin	
25	1001169242	2	Pin	
26	1001169249	2	Pin	
27	1001169295	1	Pin	
28	1001169296	1	Pin	
29	1001169297	2	Pin	
30	1001169298	2	Pin	
31	1001169299	2	Bearing	
32	1001169300	2	Bearing	
33	1001169301	2	Bearing	
34	1001169302	14	Bearing	
35	1001178133	1	Tower Boom (Lower)	
36	1001178135	1	Tower, Boom (Upper)	
37	1001180056	1	Pad, Wear	

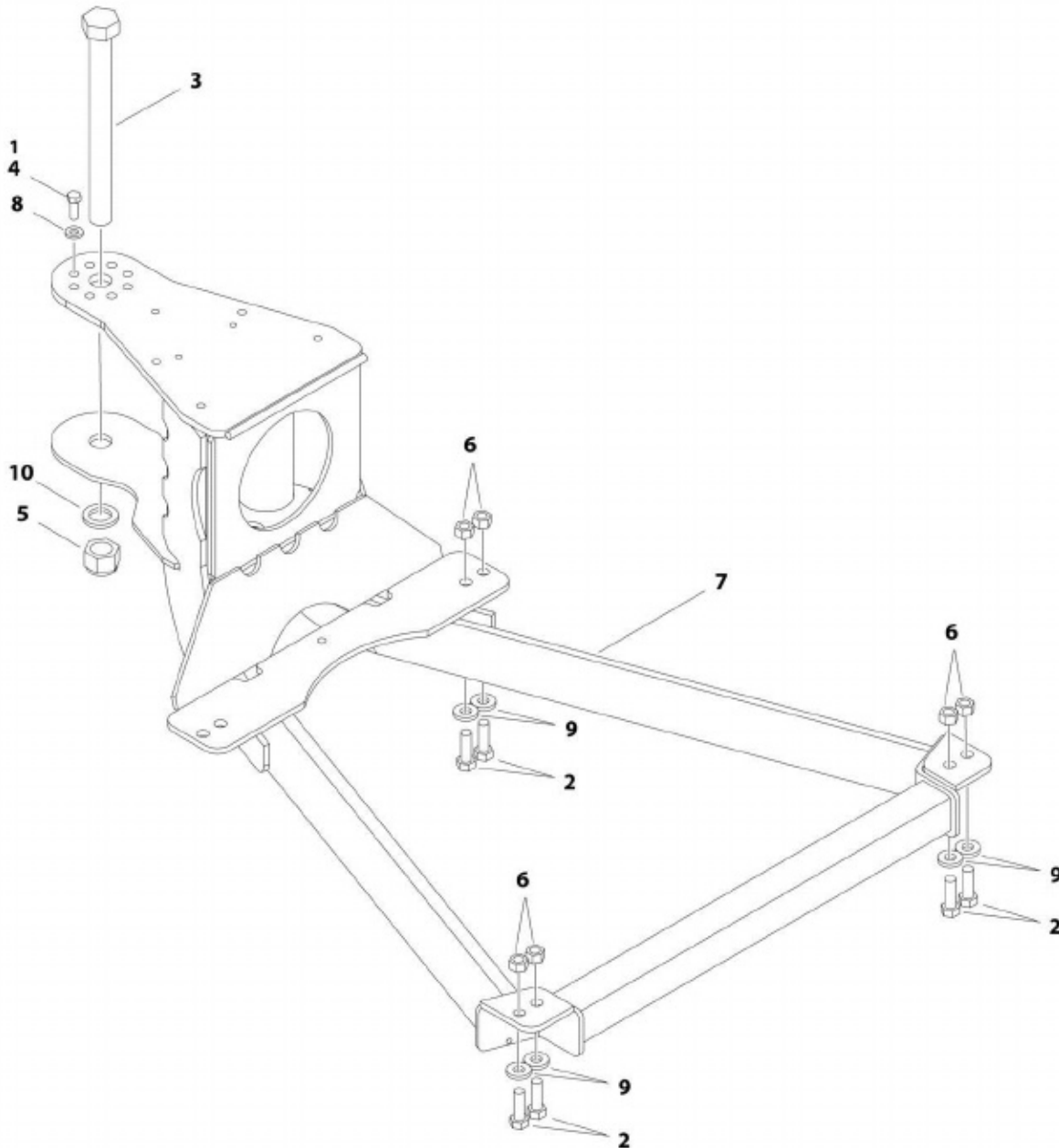
SECTION 4 - BOOM

FIGURE 4-10. ROTATOR ASSEMBLY



SECTION 4 - BOOM

FIGURE 4-11. PLATFORM SUPPORT INSTALLATION - WITHOUT LSS



ART_0272070

FIGURE 4-11. PLATFORM SUPPORT INSTALLATION - WITHOUT LSS


ITEM	PART NUMBER	QTY	DESCRIPTION	REV
	0272070	Ref	PLATFORM SUPPORT INSTALLATION - WITHOUT LSS	F
1	0100011	AR	Compound, Locking	
2	0641812	8	Bolt 1/2 x 1-1/2	
3	0642684	1	Bolt 1 x 10-1/2	
4	0681608	8	Bolt 3/8 x 1	
5	3300243	1	Nut 1	
6	3311805	8	Nut 1/2	
7	4846573	1	Support	
8	4891600	8	Washer 3/8	
9	4891800	8	Washer 1/2	
10	4892600	1	Washer 1	

SECTION 4 - BOOM

FIGURE 4-12. PLATFORM SUPPORT INSTALLATION - WITH LSS

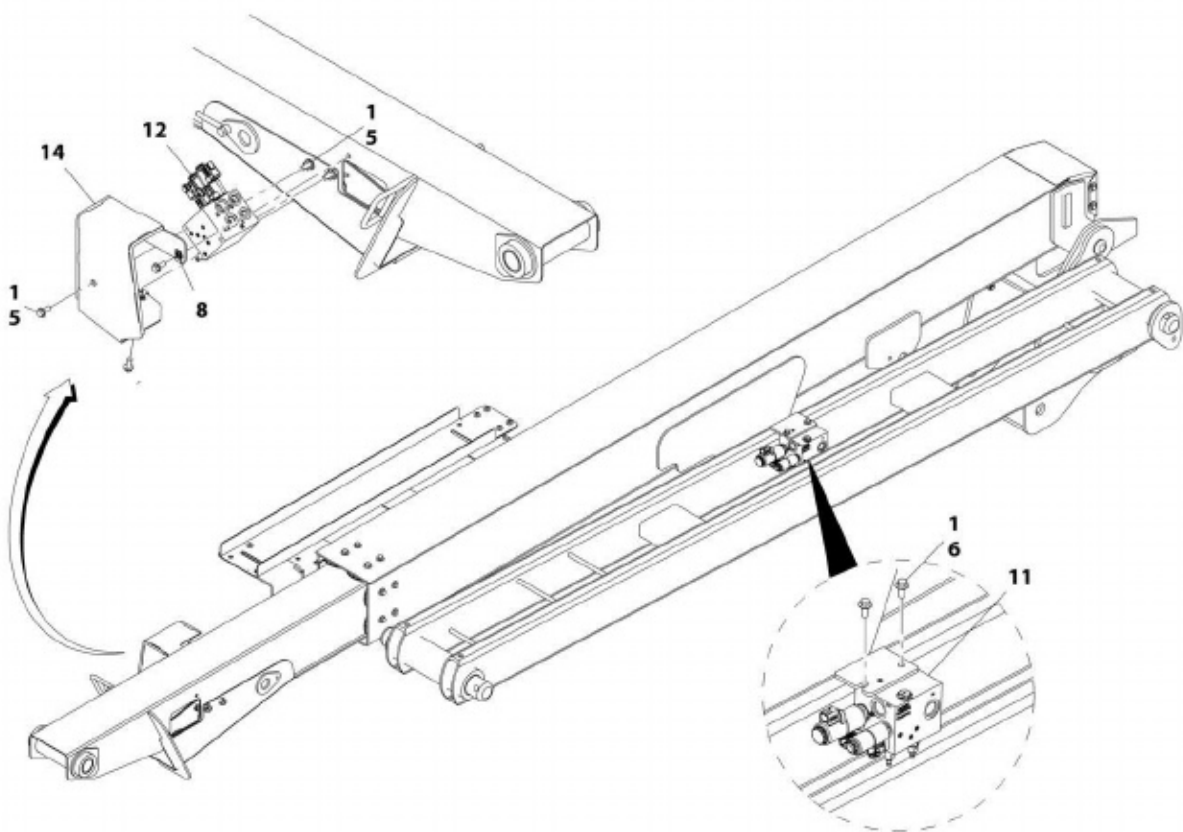
**NOTE: REFER TO JLG SUPPLEMENT P/N 3124287 FOR
MACHINES WITH LOAD SENSING SYSTEM.**

FIGURE 4-12. PLATFORM SUPPORT INSTALLATION - WITH LSS

	ITEM	PART NUMBER	QTY	DESCRIPTION	REV
			Ref	PLATFORM SUPPORT INSTALLATION - WITH LSS	
			Ref	Note: Refer to JLG Supplement p/n 3124287 for Machines with Load Sensing System.	

SECTION 4 - BOOM

FIGURE 4-13. VALVES INSTALLATION - BOOM MOUNTED



ART_1001165948_3CF3

FIGURE 4-14. UPRIGHT VALVE ASSEMBLY

ITEM	PART NUMBER	QTY	DESCRIPTION	REV
	1001162535	Ref	UPRIGHT VALVE ASSEMBLY	B
1	70004864	1	Cartridge, Valve	
1	70004875	1	Seal Kit - 70004864 Valve	
2	70004865	1	Cartridge, Valve	
2	70004875	1	Seal Kit - 70004865 Valve	
3	70004866	1	Cartridge, Relief Valve	
3	70004867	1	Seal Kit - 70004866 Valve	
4	70004868	1	Cartridge, Solenoid Valve Less Coil	
4	70004869	1	Seal Kit - 70004868 Valve	
5	7027625	1	Cartridge, Solenoid Valve Less Coil	
5	70000100	1	Seal Kit - 7027625 Valve	
6	70004870	1	Cartridge, Valve	
6	70004867	1	Seal Kit - 70004870 Valve	
7	70004871	2	Coil	
8	7027628	2	Coil	

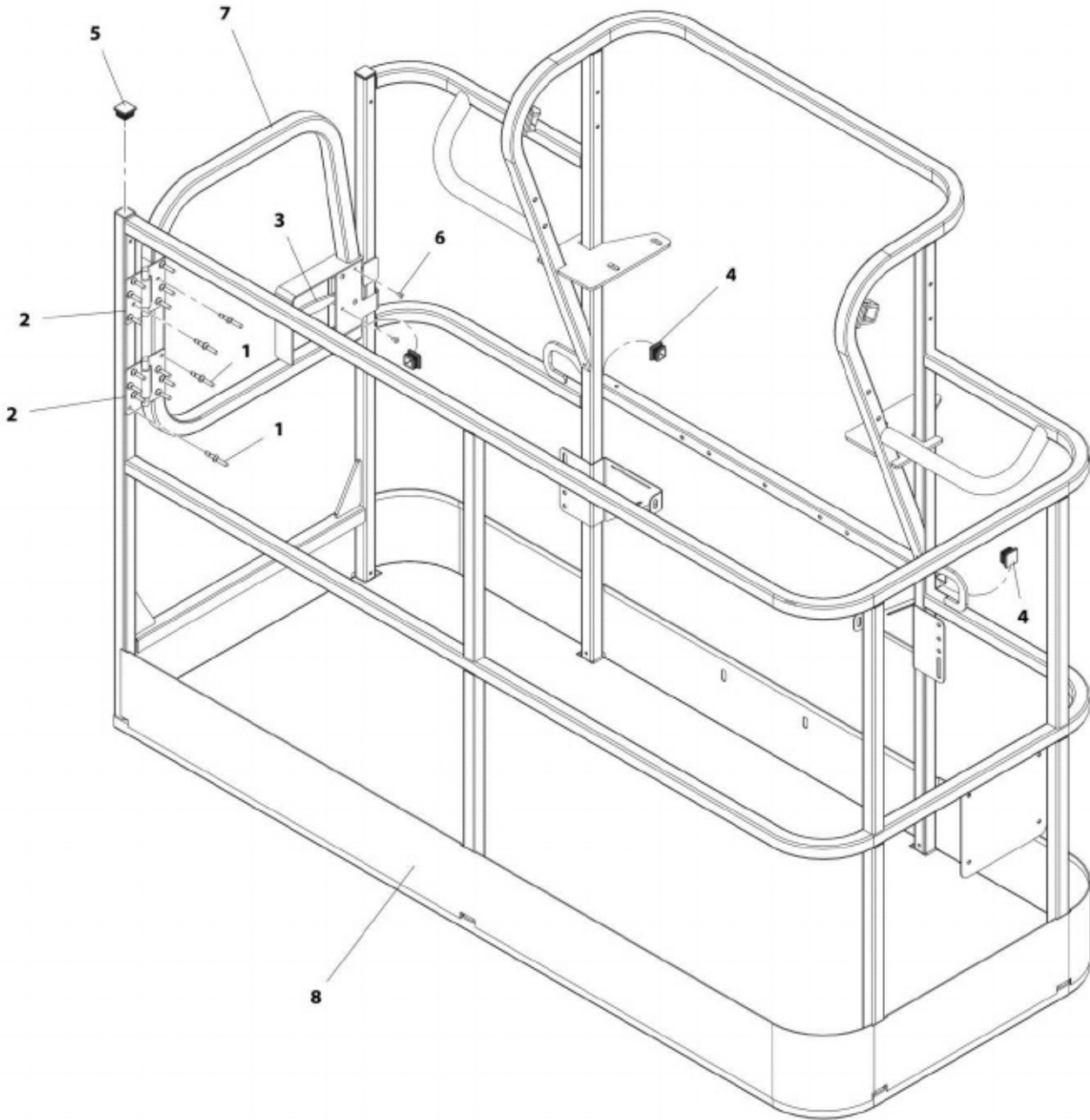
SECTION 5 - PLATFORM

FIGURE 5-2. PLATFORM ASSEMBLY - 30IN X 5FT (76CM X 1.52M) - SIDE GATE ENTRY (USA BUILT MACHINES)

ITEM	PART NUMBER	QTY	DESCRIPTION	REV
	1001186386	Ref	PLATFORM ASSEMBLY - 30IN X 5FT (76CM X 1.52M) - SIDE GATE ENTRY (USA BUILT MACHINES)	B
	See Note	Ref	Note: Platform and Mesh must be ordered separately for Platforms with Mesh. See SPECIAL OPTIONS SECTION for Mesh Installations.	
	See Note	Ref	Note: Replacement Decals Must be Ordered Separately - See DECALS SECTION.	
1	2080040	16	Fastener, Huck	
2	2600281	2	Hinge, Self-Closing	
3	2940074	1	Latch	
4	3520072	3	Cap, Plug	
5	3520198	2	Cap, Plug	
6	3820020	4	Rivet	
7	1001144629	1	Gate, Weldment	
8	See Note	1	Platform, Weldment (Note: Not Available - Purchase Platform Assembly)	

SECTION 5 - PLATFORM

FIGURE 5-3. PLATFORM ASSEMBLY - 30IN X 6FT (76CM X 1.83M) - SIDE GATE ENTRY (USA BUILT MACHINES)



ART_1001186385

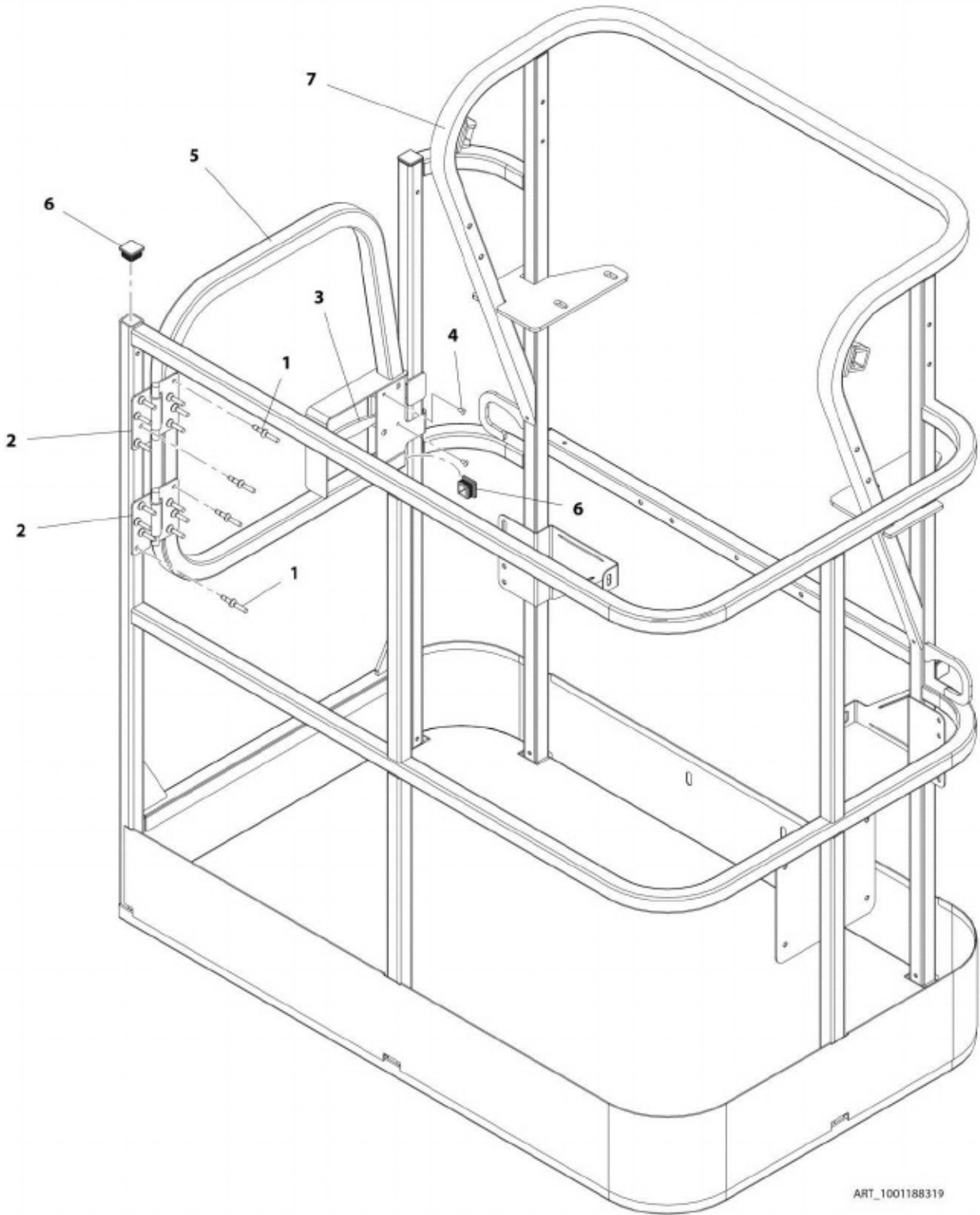
SECTION 5 - PLATFORM

FIGURE 5-3. PLATFORM ASSEMBLY - 30IN X 6FT (76CM X 1.83M) - SIDE GATE ENTRY (USA BUILT MACHINES)

ITEM	PART NUMBER	QTY	DESCRIPTION	REV
	1001186385	Ref	PLATFORM ASSEMBLY - 30IN X 6FT (76CM X 1.83M) - SIDE GATE ENTRY (USA BUILT MACHINES)	B
	See Note	Ref	Note: Platform and Mesh must be ordered separately for Platforms with Mesh. See SPECIAL OPTIONS SECTION for Mesh Installations.	
	See Note	Ref	Note: Replacement Decals Must be Ordered Separately - See DECALS SECTION.	
1	2080040	16	Fastener, Huck	
2	2600281	2	Hinge, Self-Closing	
3	2940074	1	Latch	
4	3520072	3	Cap, Plug	
5	3520198	2	Cap, Plug	
6	3820020	4	Rivet	
7	1001144629	1	Gate, Weldment	
8	See Note	1	Platform, Weldment (Note: Not Available - Purchase Platform Assembly)	

SECTION 5 - PLATFORM

FIGURE 5-4. PLATFORM ASSEMBLY - 30IN X 4FT (76CM X 1.22M) - SIDE GATE ENTRY (ROMANIAN BUILT MACHINES)



ART_1001188319

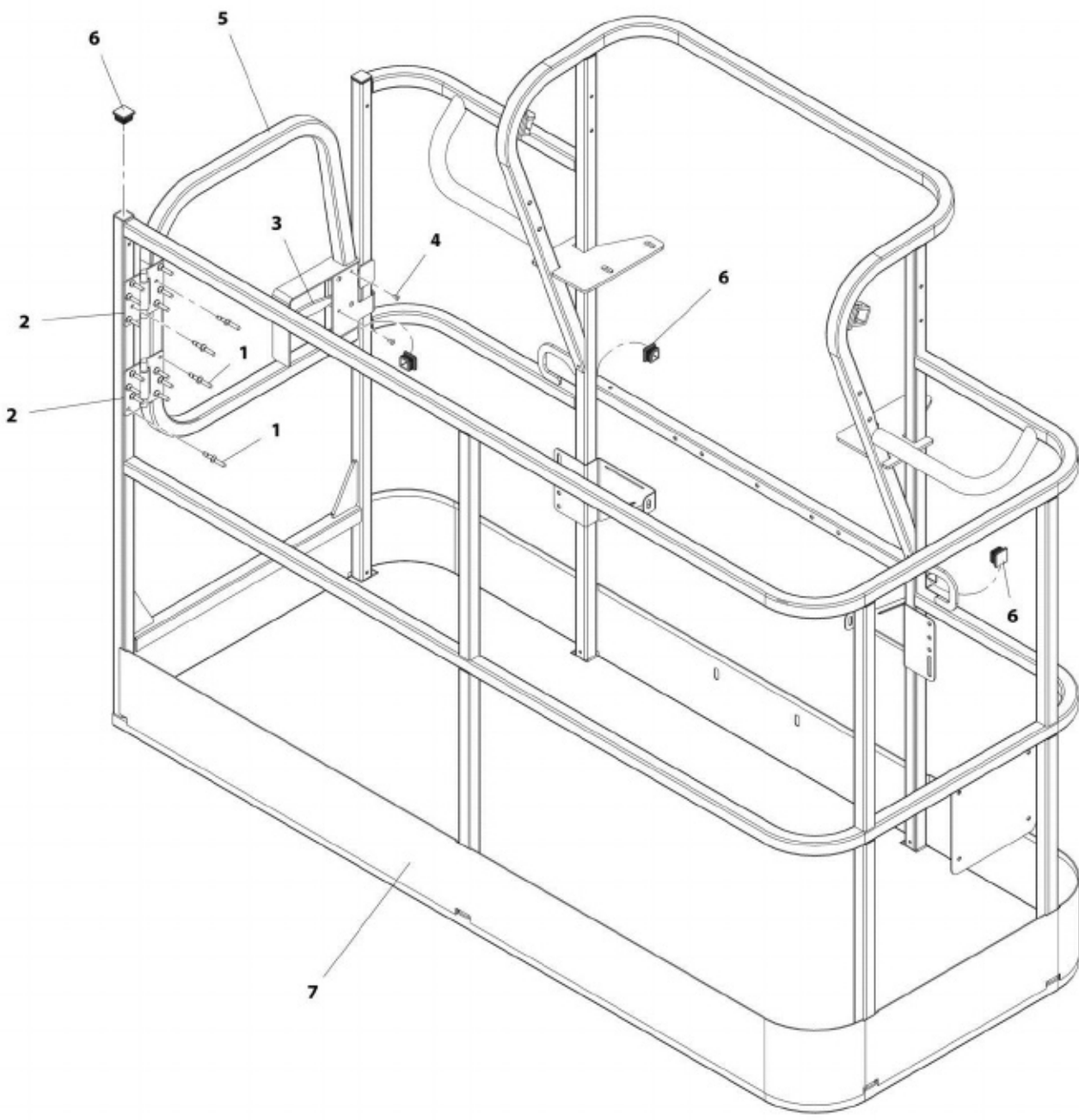
SECTION 5 - PLATFORM

FIGURE 5-4. PLATFORM ASSEMBLY - 30IN X 4FT (76CM X 1.22M) - SIDE GATE ENTRY (ROMANIAN BUILT MACHINES)

ITEM	PART NUMBER	QTY	DESCRIPTION	REV
	1001188319	Ref	PLATFORM ASSEMBLY - 30IN X 4FT (76CM X 1.22M) - SIDE GATE ENTRY (ROMANIAN BUILT MACHINES)	B
	See Note	Ref	Note: Platform and Mesh must be ordered separately for Platforms with Mesh. See SPECIAL OPTIONS SECTION for Mesh Installations.	
	See Note	Ref	Note: Replacement Decals Must be Ordered Separately - See DECALS SECTION.	
1	2080040	16	Fastener, Huck	
2	2600281	2	Hinge, Self-Closing	
3	2940074	1	Latch	
4	3820020	4	Rivet	
5	1001144629	1	Gate, Weldment	
6	1001145781	5	Cap, Plug	
7	See Note	1	Platform, Weldment (Note: Not Available - Purchase Platform Assembly)	

SECTION 5 - PLATFORM

FIGURE 5-6. PLATFORM ASSEMBLY - 30IN X 6FT (76CM X 1.83M) - SIDE GATE ENTRY (ROMANIAN BUILT MACHINES)



ART_1001188312

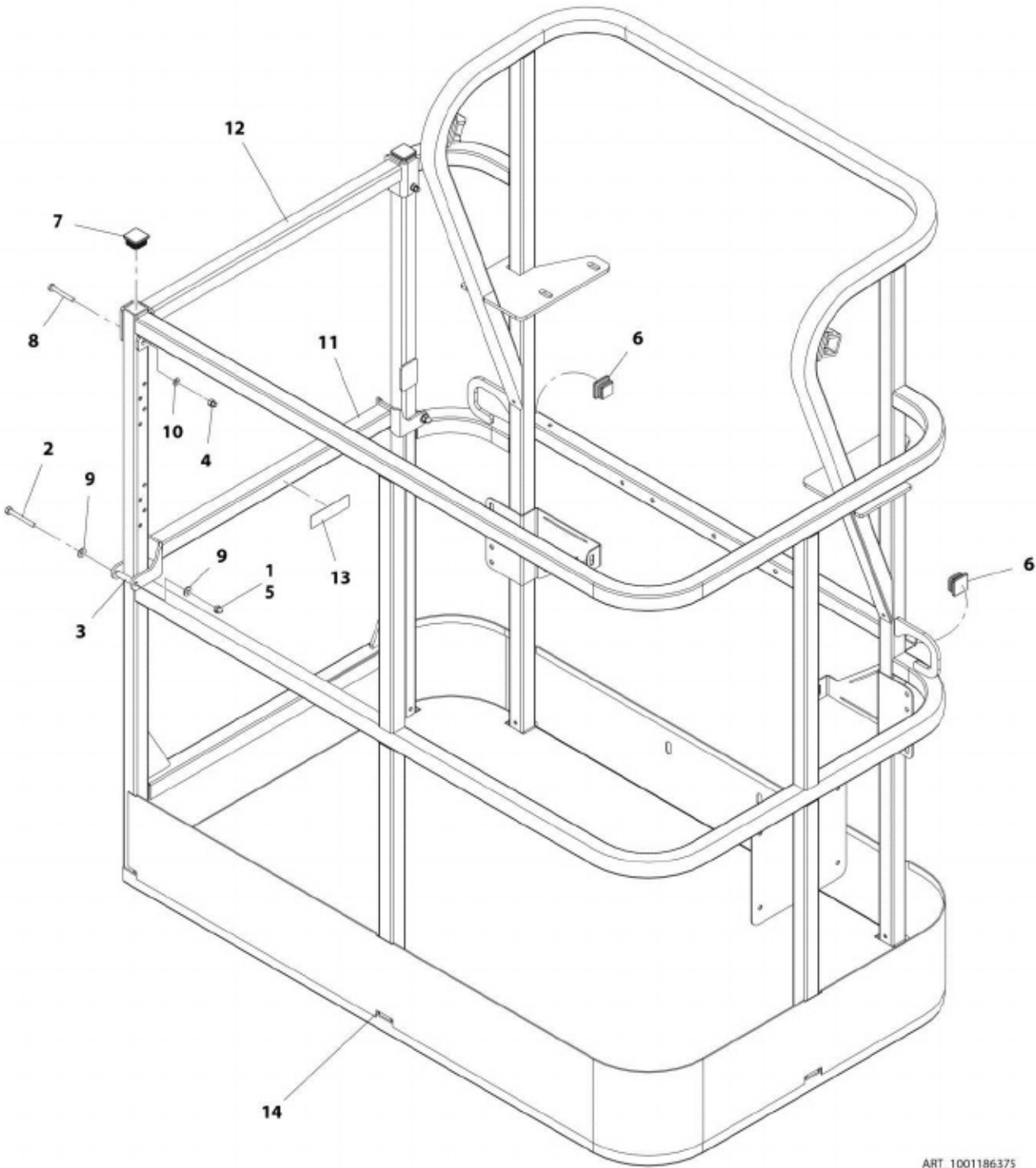
SECTION 5 - PLATFORM

FIGURE 5-6. PLATFORM ASSEMBLY - 30IN X 6FT (76CM X 1.83M) - SIDE GATE ENTRY (ROMANIAN BUILT MACHINES)

ITEM	PART NUMBER	QTY	DESCRIPTION	REV
	1001188312	Ref	PLATFORM ASSEMBLY - 30IN X 6FT (76CM X 1.83M) - SIDE GATE ENTRY (ROMANIAN BUILT MACHINES)	C
	See Note	Ref	Note: Platform and Mesh must be ordered separately for Platforms with Mesh. See SPECIAL OPTIONS SECTION for Mesh Installations.	
	See Note	Ref	Note: Replacement Decals Must be Ordered Separately - See DECALS SECTION.	
1	2080040	16	Fastener, Huck	
2	2600281	2	Hinge, Self-Closing	
3	2940074	1	Latch	
4	3820020	4	Rivet	
5	1001144629	1	Gate, Weldment	
6	1001145781	5	Cap, Plug	
7	See Note	1	Platform, Weldment (Note: Not Available - Purchase Platform Assembly)	

SECTION 5 - PLATFORM

FIGURE 5-7. PLATFORM ASSEMBLY - 30IN X 4FT (76CM X 1.22M) - WITH DROP BAR (USA BUILT MACHINES)



ART_1001186375

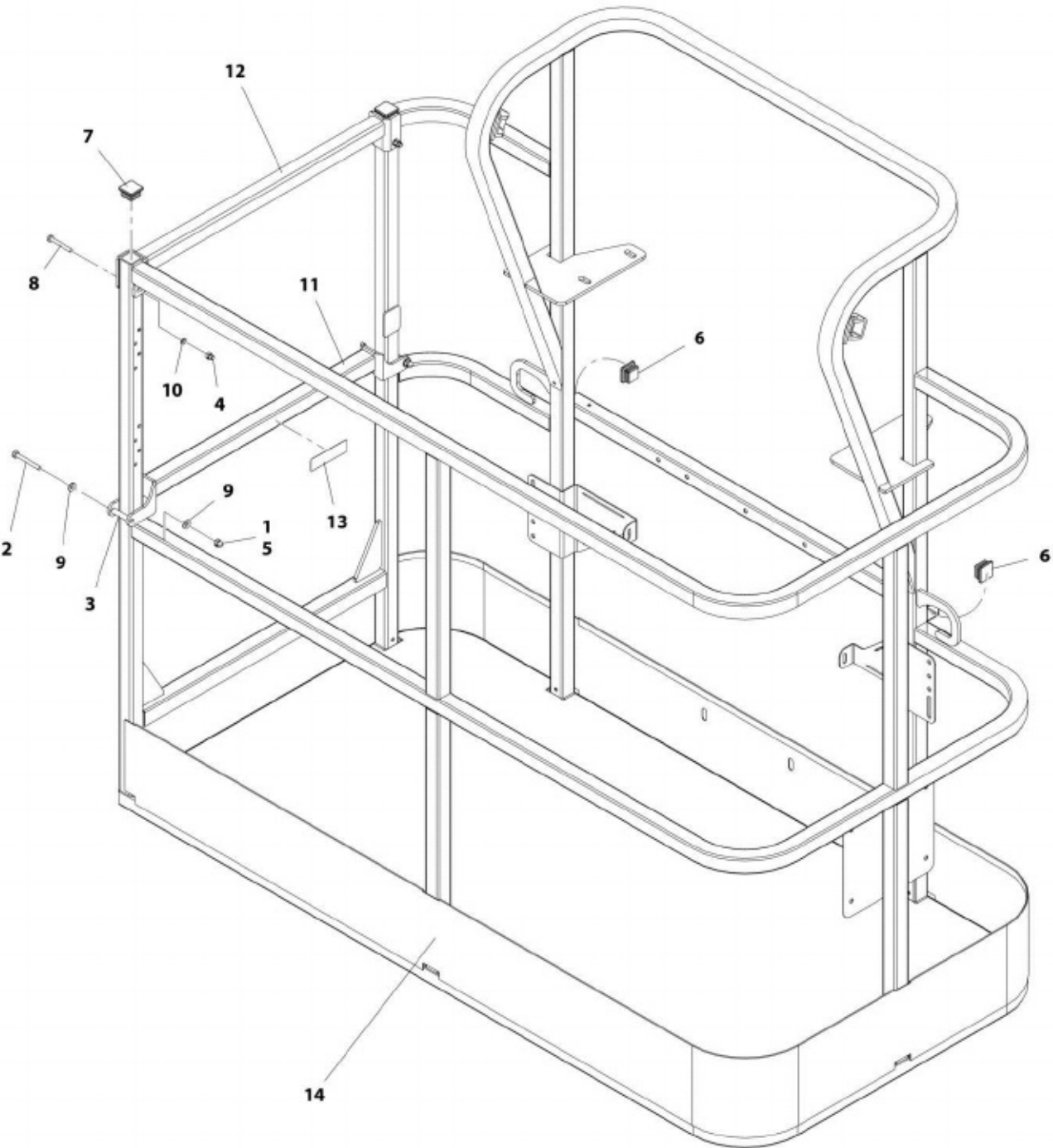
SECTION 5 - PLATFORM

FIGURE 5-7. PLATFORM ASSEMBLY - 30IN X 4FT (76CM X 1.22M) - WITH DROP BAR (USA BUILT MACHINES)

ITEM	PART NUMBER	QTY	DESCRIPTION	REV
	1001186375	Ref	PLATFORM ASSEMBLY - 30IN X 4FT (76CM X 1.22M) - WITH DROP BAR (USA BUILT MACHINES)	B
	See Note	Ref	Note: Platform and Mesh must be ordered separately for Platforms with Mesh. See SPECIAL OPTIONS SECTION for Mesh Installations.	
	See Note	Ref	Note: Replacement Decals Must be Ordered Separately - See DECALS SECTION.	
1	0100011	AR	Compound, Locking	
2	0641418	2	Bolt, 1/4-20 x 2-1/4	
3	0961845	2	Bushing	
4	3290606	2	Nut, M6 x 1	
5	3300151	2	Nut, Acorn 1/4-20	
6	3520072	2	Cap, Plug	
7	3520198	2	Cap, Plug	
8	4010618	2	Screw, M6 x 50mm	
9	4711400	4	Washer, 1/4	
10	4811700	2	Washer, M6	
11	1001138494	1	Bar, Drop	
12	1001138514	1	Rail (Top)	
13	1001140429	1	Decal - Drop Bar	
14	See Note	1	Platform, Weldment (Note: Not Available - Purchase Platform Assembly)	

SECTION 5 - PLATFORM

FIGURE 5-8. PLATFORM ASSEMBLY - 30IN X 5FT (76CM X 1.52M) - WITH DROP BAR (USA BUILT MACHINES)



ART_1001186377

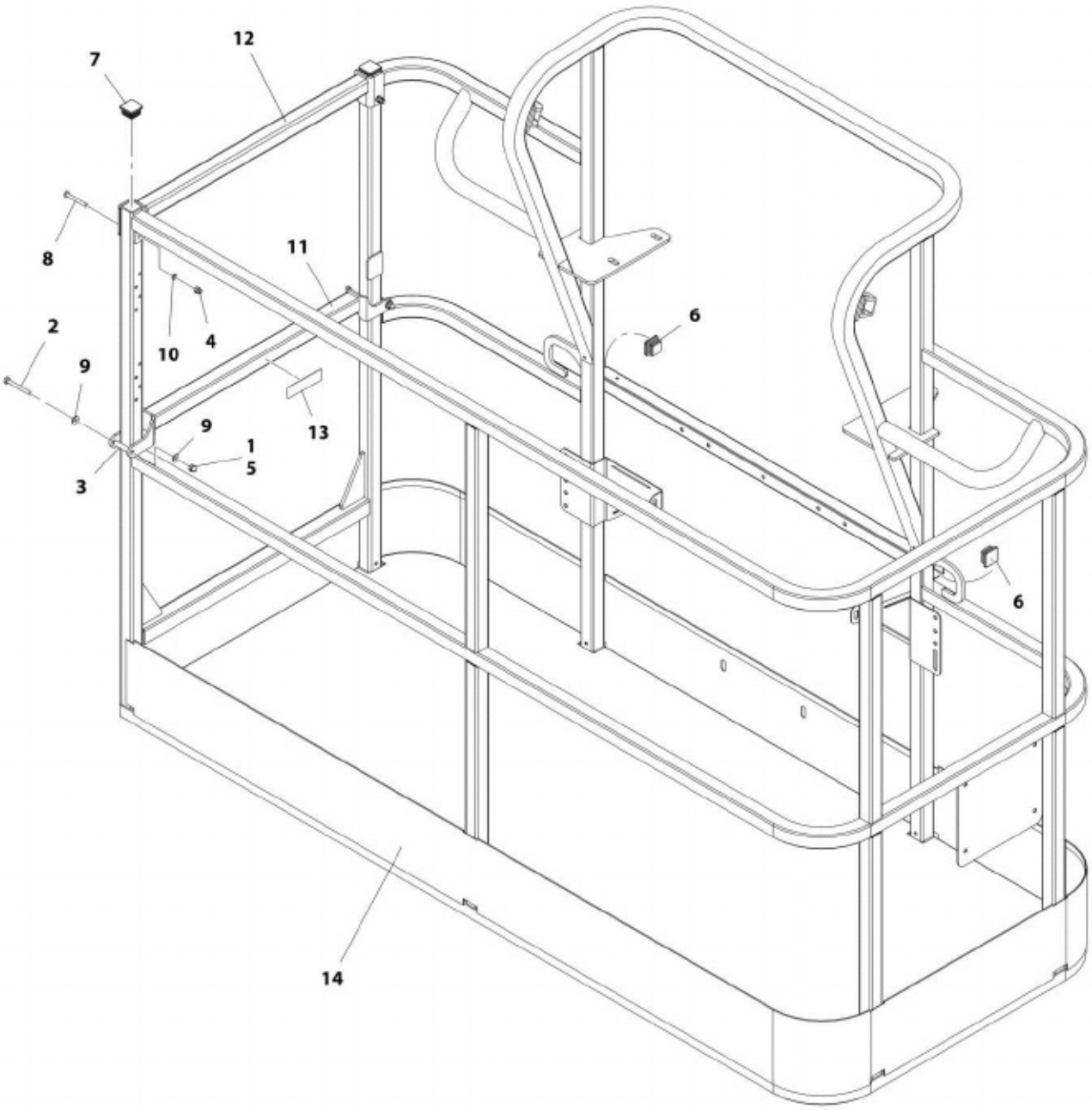
SECTION 5 - PLATFORM

FIGURE 5-8. PLATFORM ASSEMBLY - 30IN X 5FT (76CM X 1.52M) - WITH DROP BAR (USA BUILT MACHINES)

ITEM	PART NUMBER	QTY	DESCRIPTION	REV
	1001186377	Ref	PLATFORM ASSEMBLY - 30IN X 5FT (76CM X 1.52M) - WITH DROP BAR (USA BUILT MACHINES)	B
	See Note	Ref	Note: Platform and Mesh must be ordered separately for Platforms with Mesh. See SPECIAL OPTIONS SECTION for Mesh Installations.	
	See Note	Ref	Note: Replacement Decals Must be Ordered Separately - See DECALS SECTION.	
1	0100011	AR	Compound, Locking	
2	0641418	2	Bolt, 1/4-20 x 2-1/4	
3	0961845	2	Bushing	
4	3290606	2	Nut, M6 x 1	
5	3300151	2	Nut, Acorn 1/4-20	
6	3520072	2	Cap, Plug	
7	3520198	2	Cap, Plug	
8	4010618	2	Screw, M6 x 50mm	
9	4711400	4	Washer, 1/4	
10	4811700	2	Washer, M6	
11	1001138494	1	Bar, Drop	
12	1001138514	1	Rail (Top)	
13	1001140429	1	Decal - Drop Bar	
14	See Note	1	Platform, Weldment (Note: Not Available - Purchase Platform Assembly)	

SECTION 5 - PLATFORM

FIGURE 5-9. PLATFORM ASSEMBLY - 30IN X 6FT (76CM X 1.83M) - WITH DROP BAR (USA BUILT MACHINES)



ART_1001186378

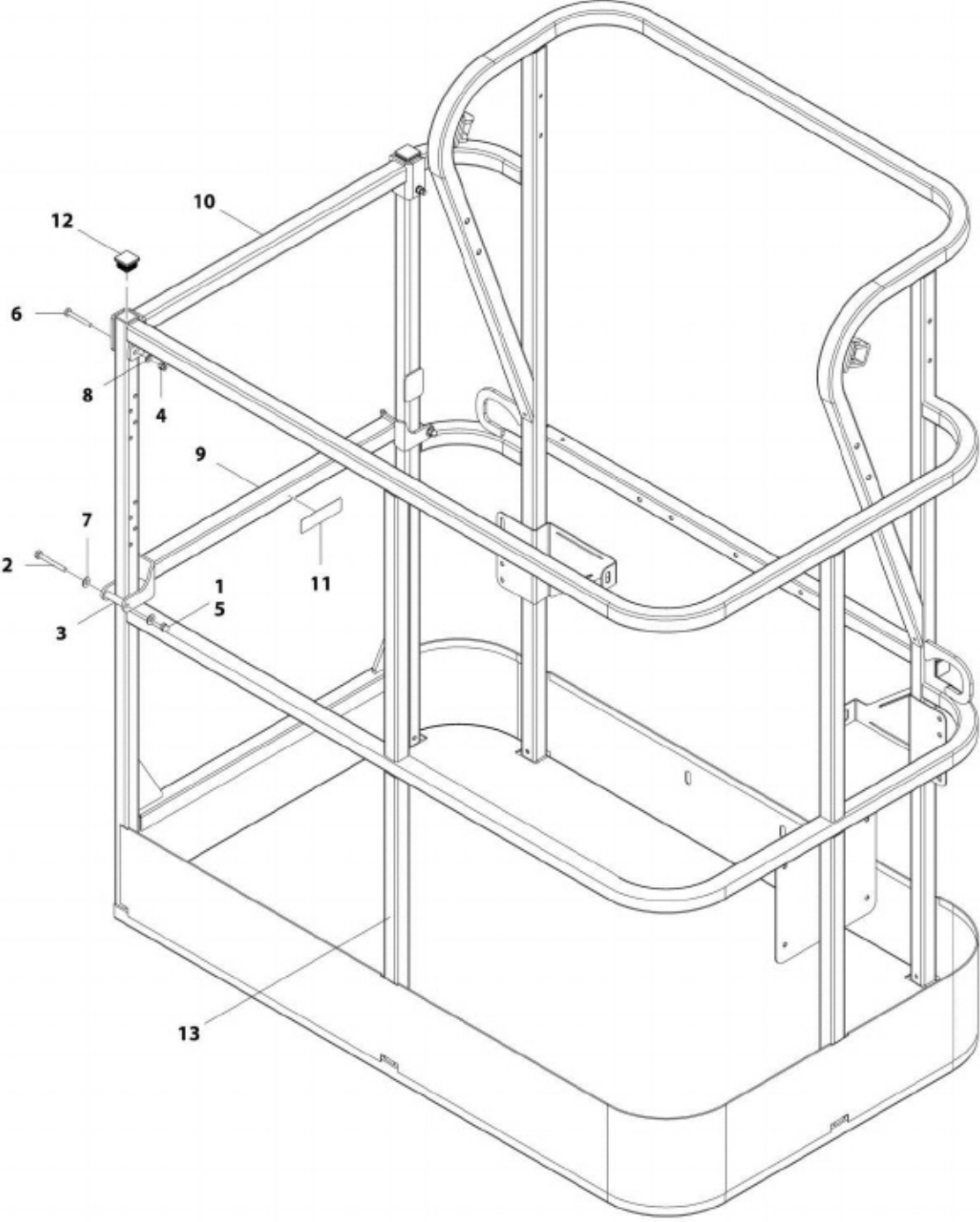
SECTION 5 - PLATFORM

FIGURE 5-9. PLATFORM ASSEMBLY - 30IN X 6FT (76CM X 1.83M) - WITH DROP BAR (USA BUILT MACHINES)

ITEM	PART NUMBER	QTY	DESCRIPTION	REV
	1001186378	Ref	PLATFORM ASSEMBLY - 30IN X 6FT (76CM X 1.83M) - WITH DROP BAR (USA BUILT MACHINES)	B
	See Note	Ref	Note: Platform and Mesh must be ordered separately for Platforms with Mesh. See SPECIAL OPTIONS SECTION for Mesh Installations.	
	See Note	Ref	Note: Replacement Decals Must be Ordered Separately - See DECALS SECTION.	
1	0100011	AR	Compound, Locking	
2	0641418	2	Bolt, 1/4-20 x 2-1/4	
3	0961845	2	Bushing	
4	3290606	2	Nut, M6 x 1	
5	3300151	2	Nut, Acorn 1/4-20	
6	3520072	2	Cap, Plug	
7	3520198	2	Cap, Plug	
8	4010618	2	Screw, M6 x 50mm	
9	4711400	4	Washer, 1/4	
10	4811700	2	Washer, M6	
11	1001138494	1	Bar, Drop	
12	1001138514	1	Rail (Top)	
13	1001140429	1	Decal - Drop Bar	
14	See Note	1	Platform, Weldment (Note: Not Available - Purchase Platform Assembly)	

SECTION 5 - PLATFORM

FIGURE 5-10. PLATFORM ASSEMBLY - 30IN X 4FT (76CM X 1.22M) - WITH DROP BAR (ROMANIAN BUILT MACHINES)



ART_1001188318

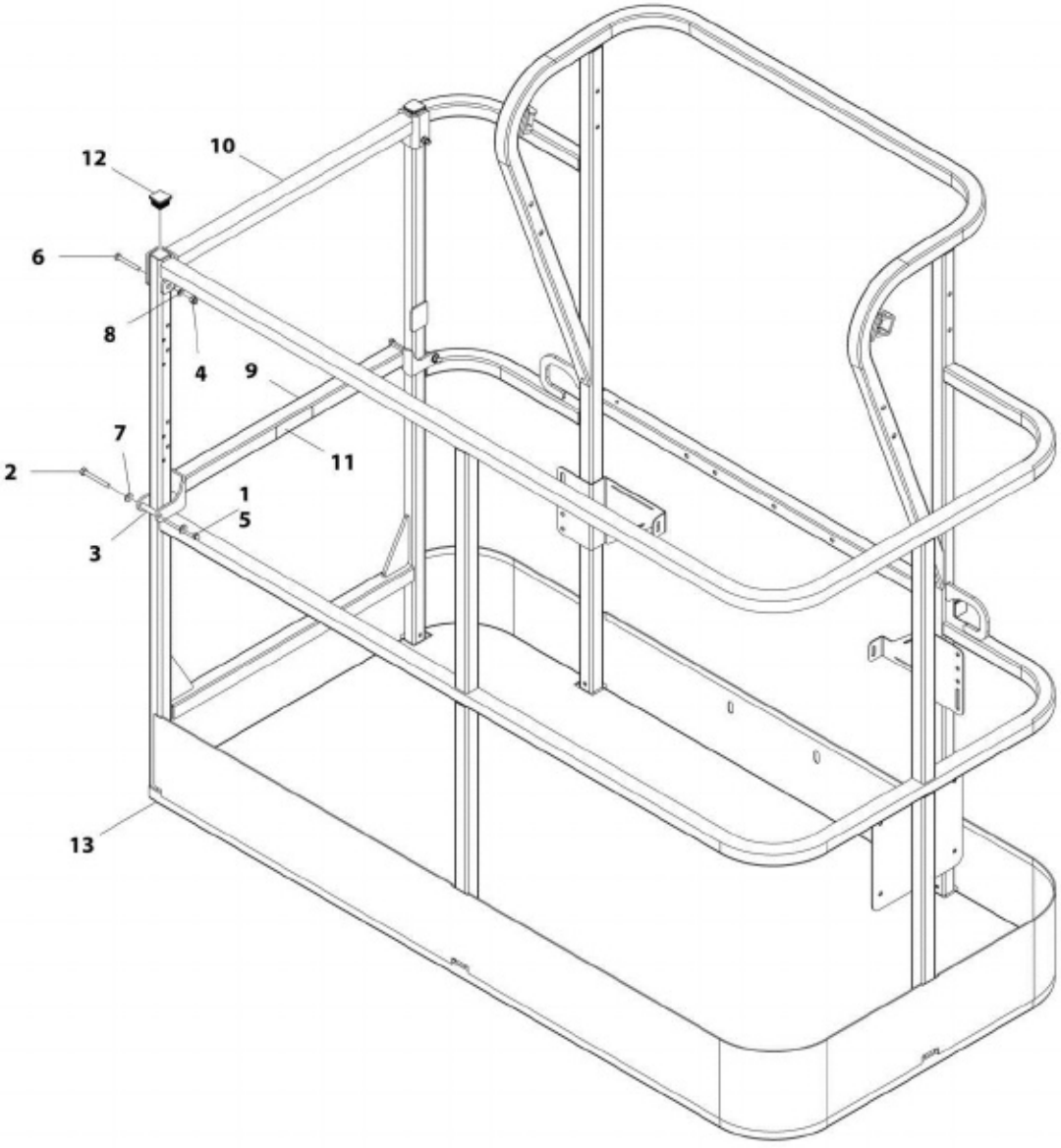
SECTION 5 - PLATFORM

FIGURE 5-10. PLATFORM ASSEMBLY - 30IN X 4FT (76CM X 1.22M) - WITH DROP BAR (ROMANIAN BUILT MACHINES)

ITEM	PART NUMBER	QTY	DESCRIPTION	REV
	1001188318	Ref	PLATFORM ASSEMBLY - 30IN X 4FT (76CM X 1.22M) - WITH DROP BAR (ROMANIAN BUILT MACHINES)	B
	See Note	Ref	Note: Platform and Mesh must be ordered separately for Platforms with Mesh. See SPECIAL OPTIONS SECTION for Mesh Installations.	
	See Note	Ref	Note: Replacement Decals Must be Ordered Separately - See DECALS SECTION.	
1	0100011	AR	Compound, Locking	
2	0641418	2	Bolt, 1/4-20 x 2-1/4	
3	0961845	2	Bushing	
4	3290606	2	Nut, M6 x 1	
5	3300151	2	Nut, Acorn 1/4-20	
6	4010618	2	Screw, M6 x 50mm	
7	4711400	4	Washer, 1/4	
8	4811700	2	Washer, M6	
9	1001138494	1	Bar, Drop	
10	1001138514	1	Rail (Top)	
11	1001140429	1	Decal - Drop Bar	
12	1001145781	4	Cap, Plug	
13	See Note	1	Platform, Weldment (Note: Not Available - Purchase Platform Assembly)	

SECTION 5 - PLATFORM

FIGURE 5-11. PLATFORM ASSEMBLY - 30IN X 5FT (76CM X 1.52M) - WITH DROP BAR (ROMANIAN BUILT MACHINES)



ART_1001188314

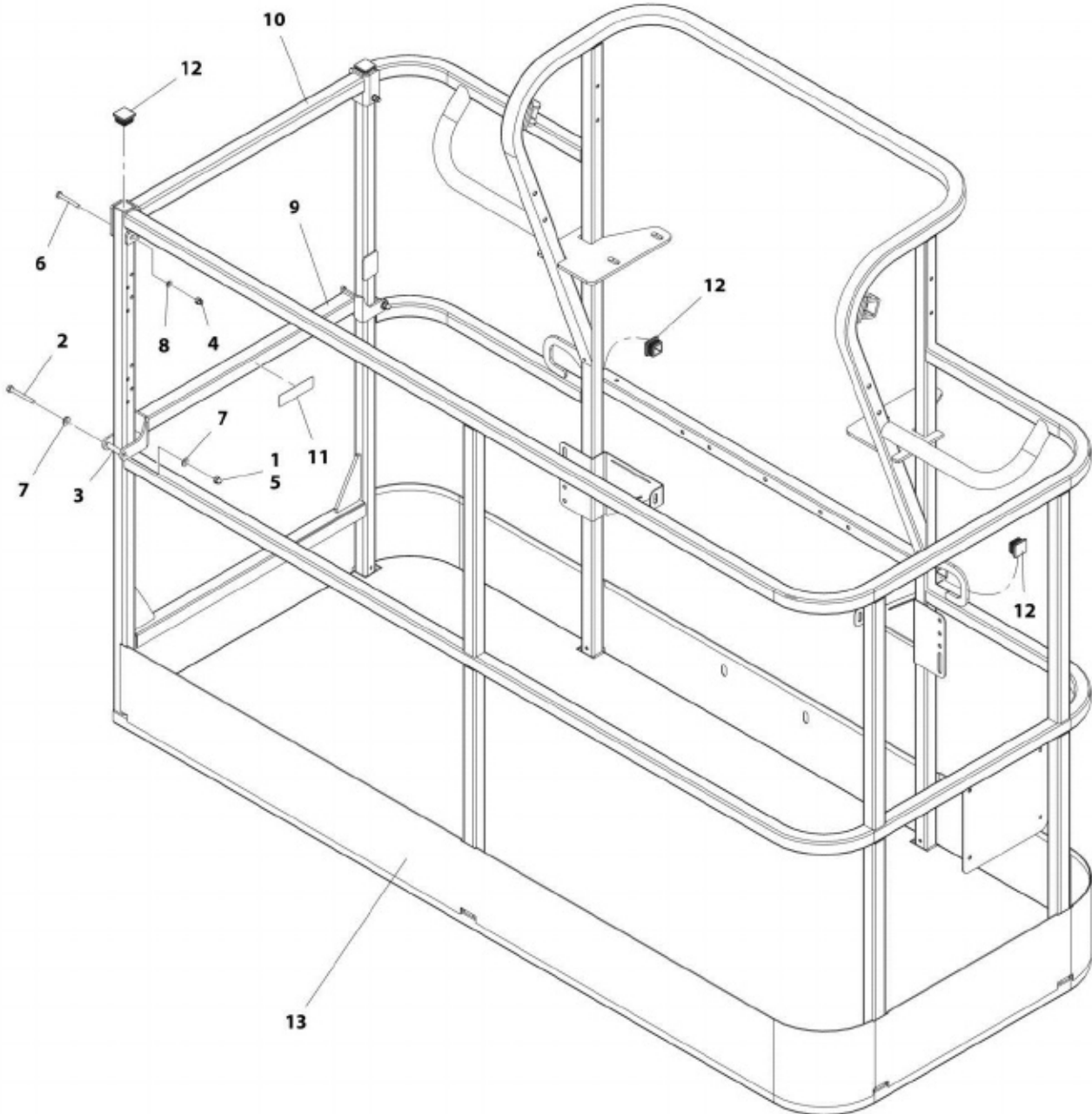
SECTION 5 - PLATFORM

FIGURE 5-11. PLATFORM ASSEMBLY - 30IN X 5FT (76CM X 1.52M) - WITH DROP BAR (ROMANIAN BUILT MACHINES)

ITEM	PART NUMBER	QTY	DESCRIPTION	REV
	1001188314	Ref	PLATFORM ASSEMBLY - 30IN X 5FT (76CM X 1.52M) - WITH DROP BAR (ROMANIAN BUILT MACHINES)	B
	See Note	Ref	Note: Platform and Mesh must be ordered separately for Platforms with Mesh. See SPECIAL OPTIONS SECTION for Mesh Installations.	
	See Note	Ref	Note: Replacement Decals Must be Ordered Separately - See DECALS SECTION.	
1	0100011	AR	Compound, Locking	
2	0641418	2	Bolt, 1/4-20 x 2-1/4	
3	0961845	2	Bushing	
4	3290606	2	Nut, M6 x 1	
5	3300151	2	Nut, Acorn 1/4-20	
6	4010618	2	Screw, M6 x 50mm	
7	4711400	4	Washer, 1/4	
8	4811700	2	Washer, M6	
9	1001138494	1	Bar, Drop	
10	1001138514	1	Rail (Top)	
11	1001140429	1	Decal - Drop Bar	
12	1001145781	4	Cap, Plug	
13	See Note	1	Platform, Weldment (Note: Not Available - Purchase Platform Assembly)	

SECTION 5 - PLATFORM

FIGURE 5-12. PLATFORM ASSEMBLY - 30IN X 6FT (76CM X 1.83M) - WITH DROP BAR (ROMANIAN BUILT MACHINES)



ART_1001188311

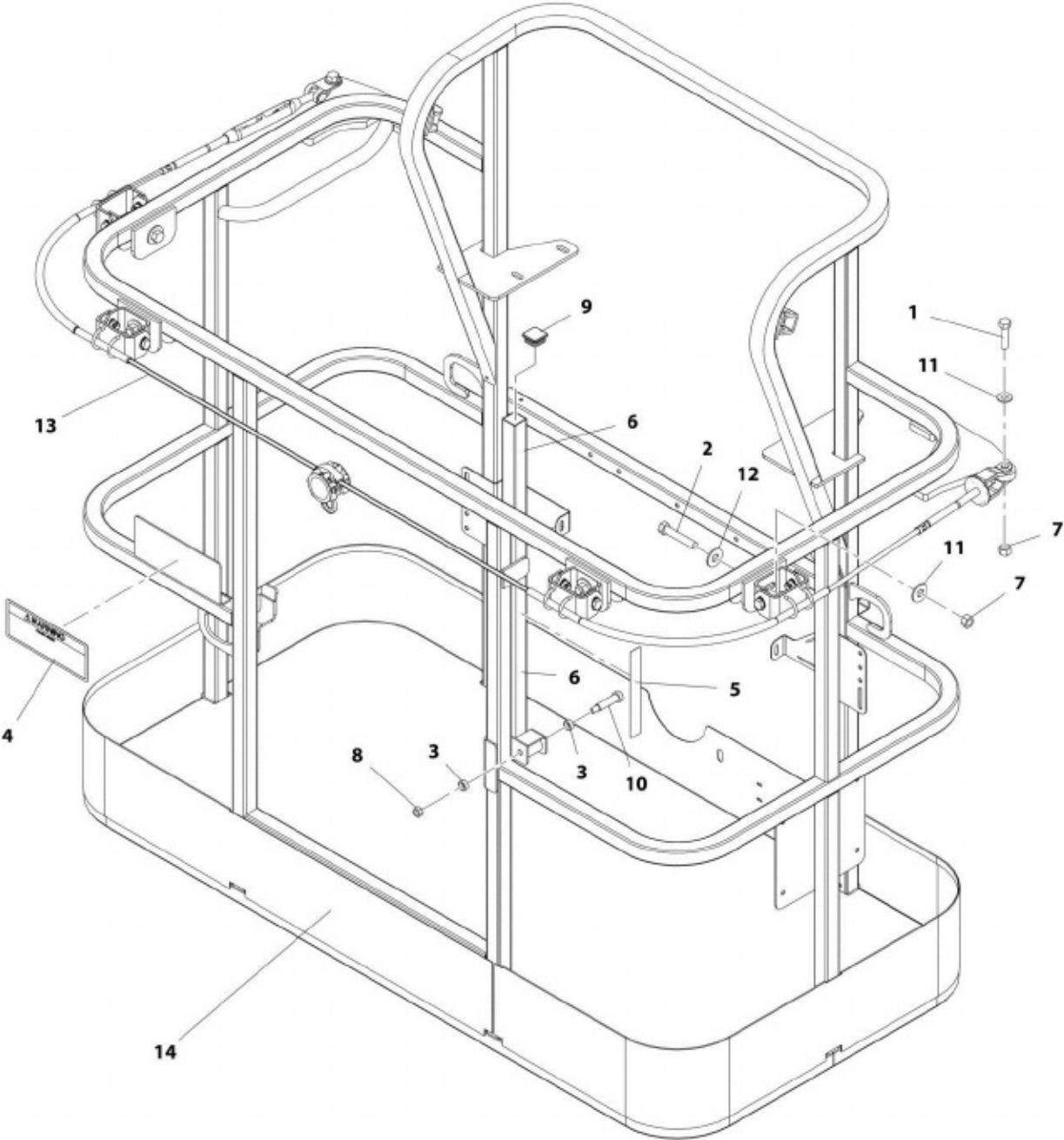
SECTION 5 - PLATFORM

FIGURE 5-12. PLATFORM ASSEMBLY - 30IN X 6FT (76CM X 1.83M) - WITH DROP BAR (ROMANIAN BUILT MACHINES)

ITEM	PART NUMBER	QTY	DESCRIPTION	REV
	1001188311	Ref	PLATFORM ASSEMBLY - 30IN X 6FT (76CM X 1.83M) - WITH DROP BAR (ROMANIAN BUILT MACHINES)	B
	See Note	Ref	Note: Platform and Mesh must be ordered separately for Platforms with Mesh. See SPECIAL OPTIONS SECTION for Mesh Installations.	
	See Note	Ref	Note: Replacement Decals Must be Ordered Separately - See DECALS SECTION.	
1	0100011	AR	Compound, Locking	
2	0641418	2	Bolt, 1/4-20 x 2-1/4	
3	0961845	2	Bushing	
4	3290606	2	Nut, M6 x 1	
5	3300151	2	Nut, Acorn 1/4-20	
6	4010618	2	Screw, M6 x 50mm	
7	4711400	4	Washer, 1/4	
8	4811700	2	Washer, M6	
9	1001138494	1	Bar, Drop	
10	1001138514	1	Rail (Top)	
11	1001140429	1	Decal - Drop Bar	
12	1001145781	4	Cap, Plug	
13	See Note	1	Platform, Weldment (Note: Not Available - Purchase Platform Assembly)	

SECTION 5 - PLATFORM

FIGURE 5-13. PLATFORM ASSEMBLY - 30IN X 5FT (76CM X 1.52M - FALL ARREST (ANSI AND CSA SPECS)



ART_1001186388

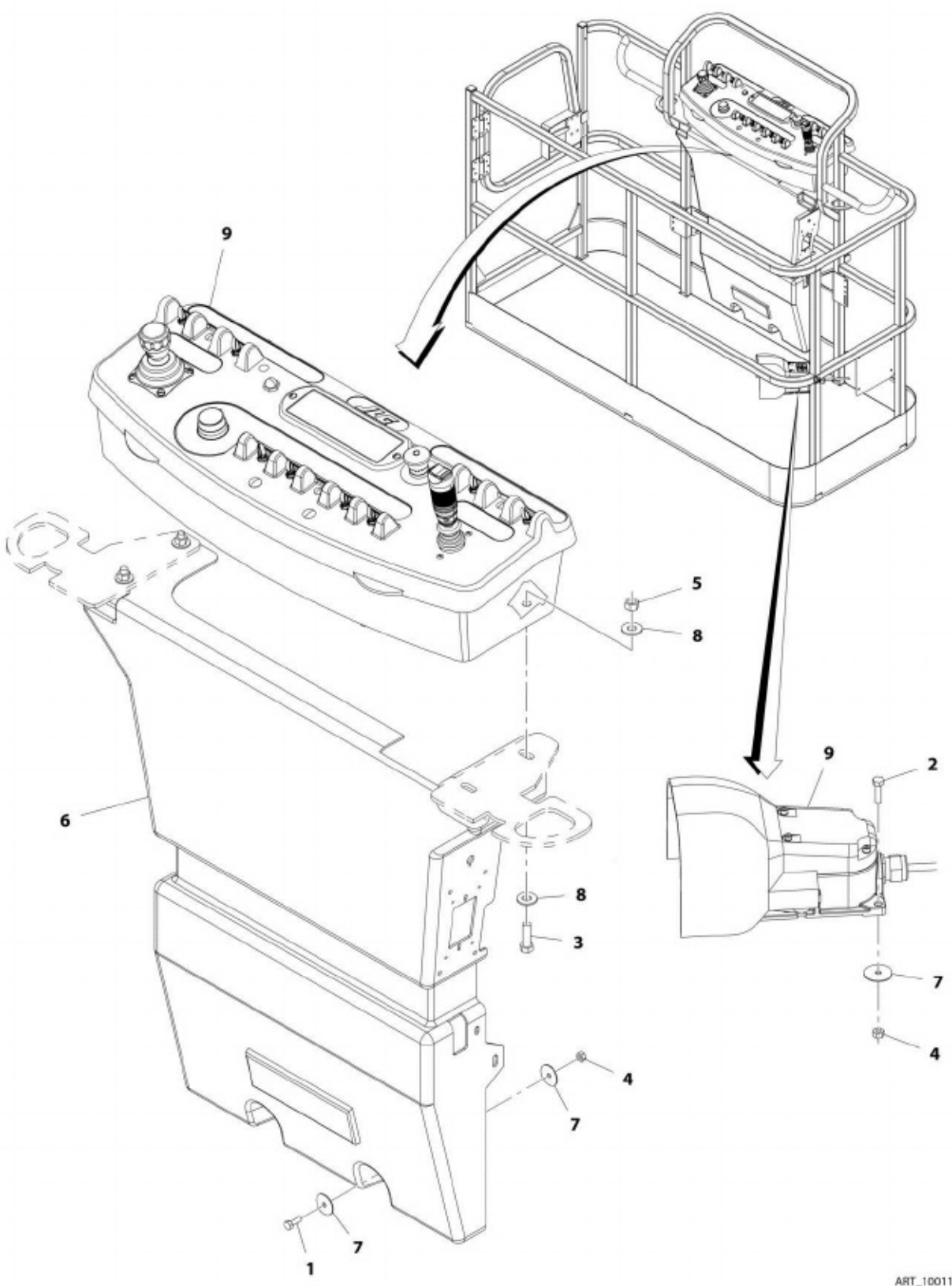
SECTION 5 - PLATFORM

FIGURE 5-13. PLATFORM ASSEMBLY - 30IN X 5FT (76CM X 1.52M - FALL ARREST (ANSI AND CSA SPECS))

ITEM	PART NUMBER	QTY	DESCRIPTION	REV
	1001186388	Ref	PLATFORM ASSEMBLY - 30IN X 5FT (76CM X 1.52M - FALL ARREST (ANSI AND CSA SPECS))	C
	See Note	Ref	Note: Fall Arrest Not Available on CE Spec Platform Assembly.	
	See Note	Ref	Note: Resection Decals Must be Ordered Separately - See Note in Section	
1	0681814	2	Bolt, 1/2-13 x 1-3/4 (Grade 8)	
2	0681822	4	Bolt, 1/2-13 x 2-3/4 (Grade 8)	
3	0962270	2	Bearing	
4	1705014	1	Decal - Safety	
5	1706385	1	Decal - Drop Bar	
6	2410014	1	Gate, Weldment	
7	3271805	6	Nut, Lock 1/2-13	
8	3311605	1	Nut, Lock 3/8-16	
9	3520072	1	Cap, Plug	
10	3900054	1	Bolt, 1/2-13 x 1-3/4	
11	4711800	6	Washer, 1/2	
12	4751800	4	Washer, 1/2	
13	1001112943	1	Lanyard (SN 0300199221 through 0300213992)	
13	1001203654	1	Lanyard (SN 0300213993 to Present, SN E300000001 to Present)	
14	See Note	1	Platform, Weldment (Note: Not Available - Purchase Platform Assembly)	

SECTION 5 - PLATFORM

FIGURE 5-14. CONSOLE BOX INSTALLATION - WITHOUT SKYGUARD



ART_1001166142

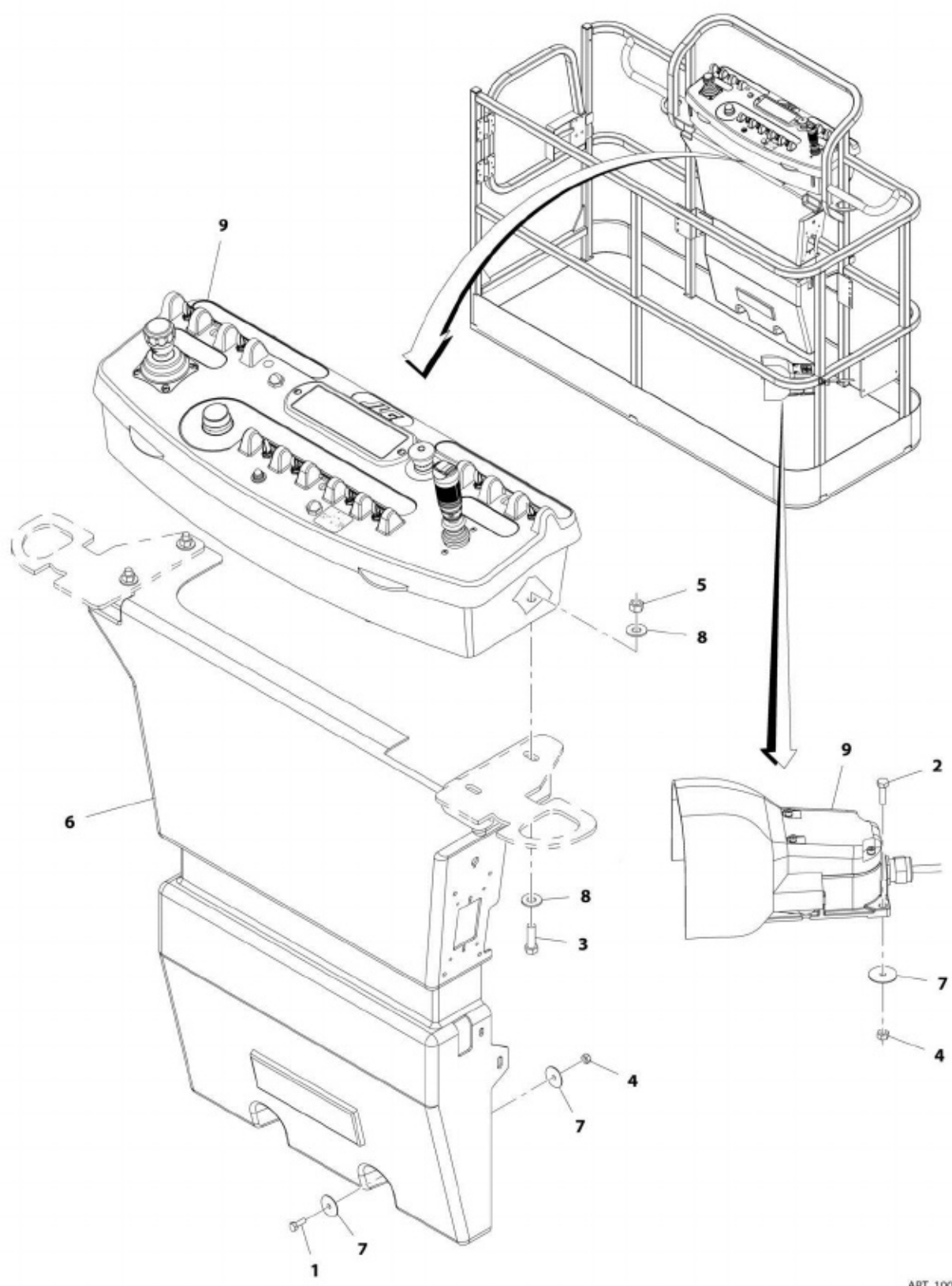
SECTION 5 - PLATFORM

FIGURE 5-14. CONSOLE BOX INSTALLATION - WITHOUT SKYGUARD

ITEM	PART NUMBER	QTY	DESCRIPTION	REV
	1001166142	Ref	CONSOLE BOX INSTALLATION - WITHOUT SKYGUARD	B
1	0641406	2	Bolt, 1/4-20 x 3/4	
2	0641408	3	Bolt, 1/4-20 x 1	
3	0641610	4	Bolt, 3/8-16 x 1-1/4	
4	3311405	5	Nut, Lock 1/4-20	
5	3311605	4	Nut, Lock 3/8-16	
6	3380434	1	Panel, Decal Mount	
7	4740362	7	Washer, 1/4	
8	4751600	8	Washer, 3/8	
9	1001167267	1	Platform Console Box Assembly (See PLATFORM CONSOLE BOX ASSEMBLY - WITHOUT SKYGUARD for Breakdown)	
10	1001164728	1	Harness, Platform Valve (Not Shown - See ELECTRICAL SECTION for Breakdown) (SN 0300212508 to Present, SN E300003014 to Present)	

SECTION 5 - PLATFORM

FIGURE 5-15. CONSOLE BOX INSTALLATION - WITH SKYGUARD



ART_1001195446

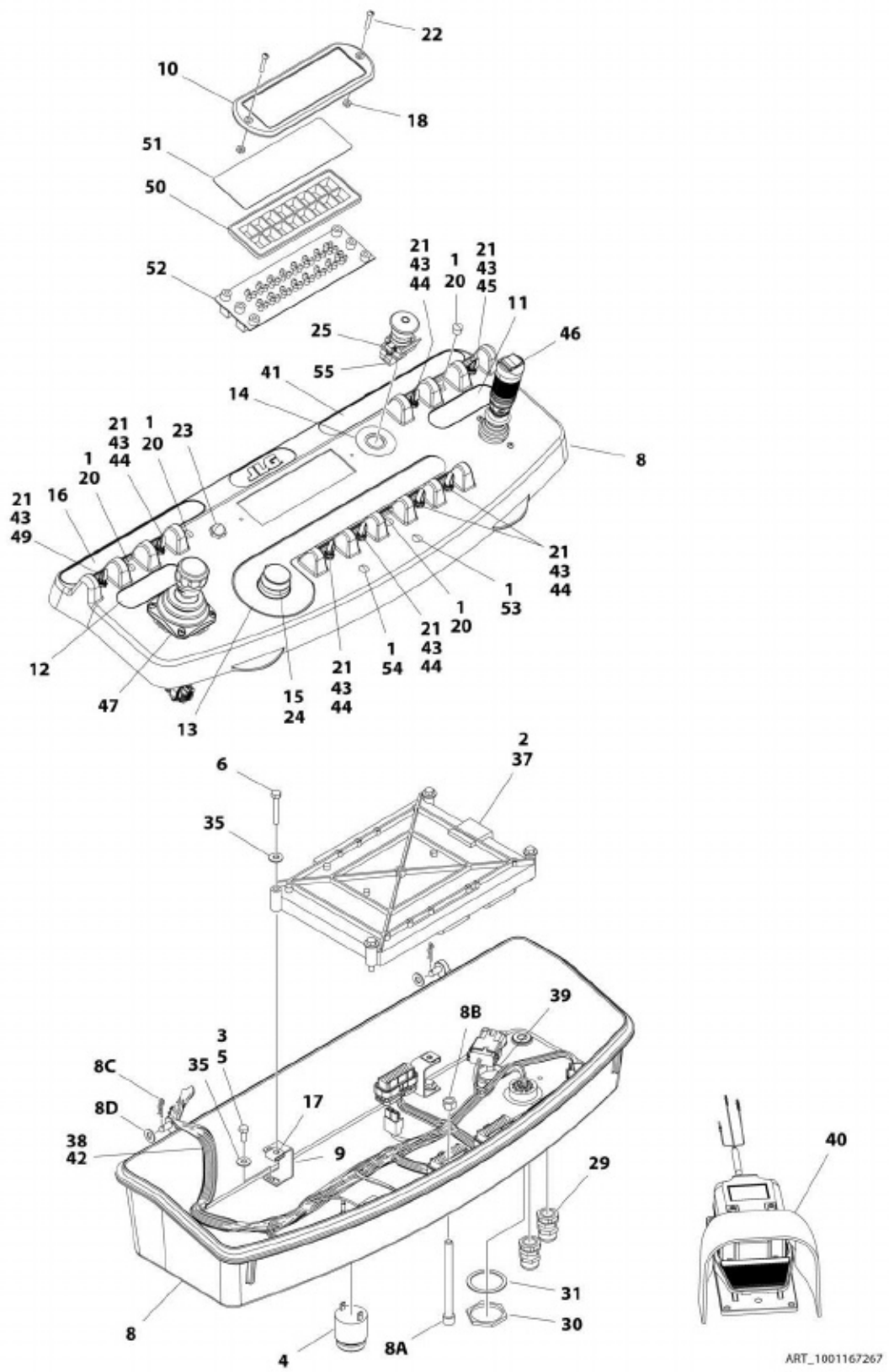
SECTION 5 - PLATFORM

FIGURE 5-15. CONSOLE BOX INSTALLATION - WITH SKYGUARD

ITEM	PART NUMBER	QTY	DESCRIPTION	REV
	1001195446	Ref	CONSOLE BOX INSTALLATION - WITH SKYGUARD	B
1	0641406	2	Bolt, 1/4-20 x 3/4	
2	0641408	3	Bolt, 1/4-20 x 1	
3	0641610	4	Bolt, 3/8-16 x 1-1/4	
4	3311405	5	Nut, Lock 1/4-20	
5	3311605	4	Nut, Lock 3/8-16	
6	3380434	1	Panel, Decal Mount	
7	4740362	7	Washer, 1/4	
8	4751600	8	Washer, 3/8	
9	1001195444	1	Platform Console Box Assembly (See PLATFORM CONSOLE BOX ASSEMBLY - WITH SKYGUARD for Breakdown)	
10	1001164728	1	Harness, Platform Valve (Not Shown - See ELECTRICAL SECTION for Breakdown) (SN 0300212508 to Present, SN E300003014 to Present)	

SECTION 5 - PLATFORM

FIGURE 5-16. PLATFORM CONSOLE BOX ASSEMBLY - WITHOUT SKYGUARD



SECTION 5 - PLATFORM

FIGURE 5-16. PLATFORM CONSOLE BOX ASSEMBLY - WITHOUT SKYGUARD

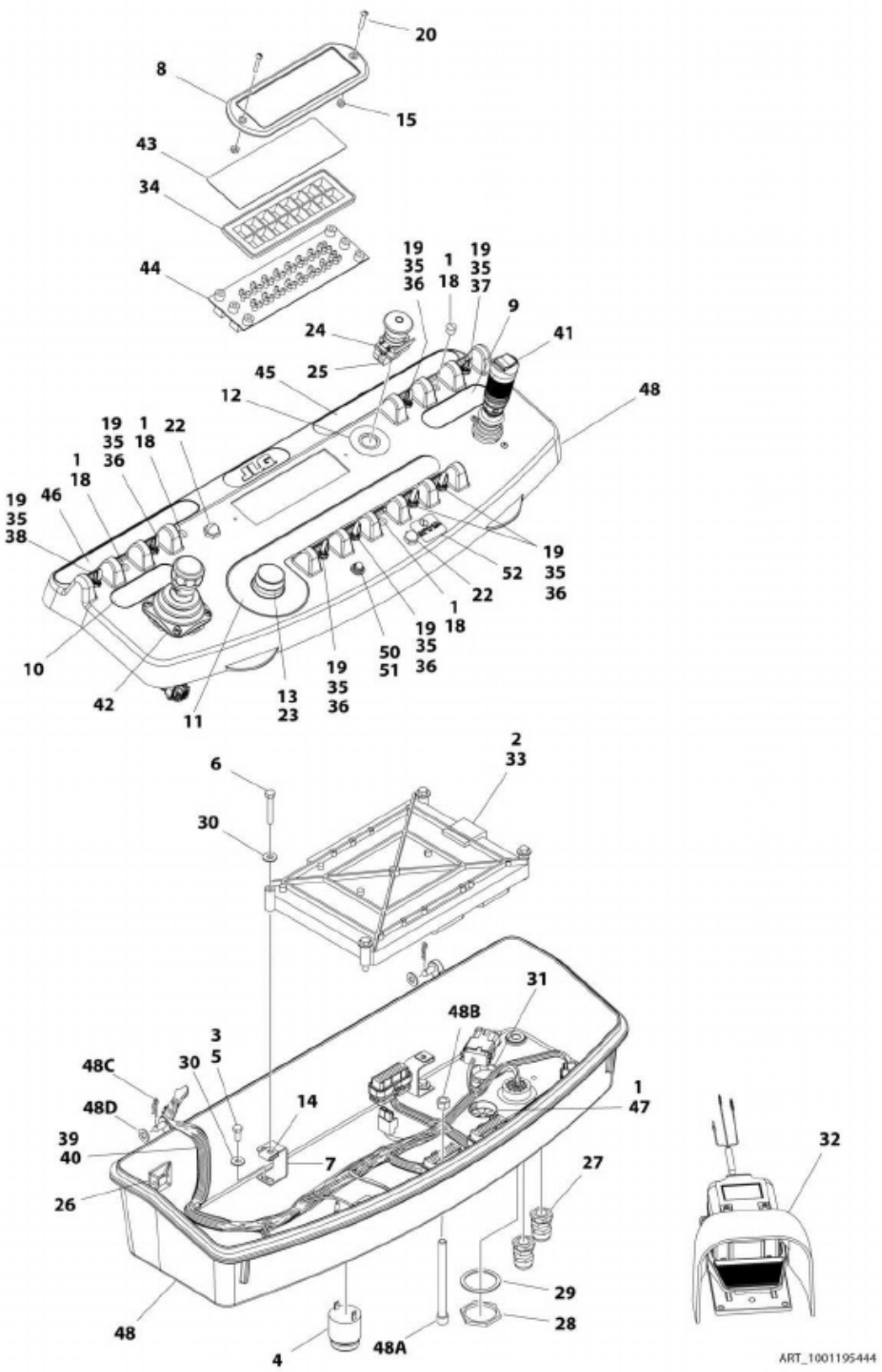
ITEM	PART NUMBER	QTY	DESCRIPTION	REV
	1001167267	Ref	PLATFORM CONSOLE BOX ASSEMBLY - WITHOUT SKYGUARD	I
1	0100009	AR	Sealant	
2	0100048	AR	Grease, Dielectric	
3	0100081	AR	Adhesive	
4	0140011	1	Alarm	
5	0641404	4	Bolt, 1/4-20 x 1/2	
6	0641414	4	Bolt, 1/4-20 x 1-3/4	
8	1001184324	1	Platform Console Box	
8A	0630568	1	Capscrew, 3/8-16 x 4-1/2	
8B	3311601	1	Nut, 3/8-16	
8C	3470003	2	Hairpin	
8D	4711500	2	Washer, 5/16	
9	0902751	4	Bracket (SN 0300199221 through 0300207005)	
9	1001172760	4	Bracket (SN 0300207006 to Present)	
9	0902751	4	Bracket (SN E300000001 through E300002772)	
9	1001172760	4	Bracket (SN E300002773 to Present)	
10	1670829	1	Bezel	
11	1702565	1	Decal - Drive and Steer	
12	1702566	1	Decal - Lift and Swing	
13	1702567	1	Decal - Function Speed	
14	1704260	1	Decal - EMS	
15	2560136	1	Handle, Knob	
16	1001184626	1	Decal - Horn	
17	3300353	4	Nut, Tinnerman	
18	3300408	2	Nut, Lock	
20	3520054	4	Plug	
21	3790012	8	O-Ring	
22	3911018	2	Screw, 10-24 x 1-1/8	
23	4360387	1	Switch, Pushbutton	
24	4360407	1	Switch, Potentiometer	
25	4360475	1	Switch, Emergency	
25	7020175	1	Cap, Red	
25	7020176	1	Contact Block	
28	4460234	2	Terminal	
29	4460428	2	Connector, Strain Relief	
30	4460470	1	Nut, Terminal	
31	4460471	1	Washer, Lock	
35	4751400	8	Washer, 1/4	
37	1001118412	1	Controller, Module	
38	See Note	Ref	Note: Re-calibration Required when Replaced	
38	1001164353	1	Harness, Platform Console Box (See ELECTRICAL SECTION for Breakdown)	
39	1001110434	1	Plug	
40	1001117174	1	Footswitch Assembly (See FOOTSWITCH ASSEMBLY for Breakdown)	
41	1001184618	1	Decal - Stop	
42	1001164728	1	Harness, Platform Valve (See ELECTRICAL SECTION for Breakdown) (Prior to SN 0300212508, Prior to SN E300003014)	
43	1001155044	8	Nut, Special 15/32-32	
44	1001155045	6	Switch, Toggle	

SECTION 5 - PLATFORM

ITEM	PART NUMBER	QTY	DESCRIPTION	REV
45	1001159256	1	Switch, Toggle	
46	1001166538	1	Controller Assembly (Drive and Steer) (See CONTROLLER ASSEMBLY (DRIVE AND STEER) for Breakdown)	
47	1001166539	NLA	Controller Assembly (Lift and Swing) (See CONTROLLER ASSEMBLY (LIFT AND SWING) for Breakdown) (Note: Use p/n 1001129555 as Replacement)	
49	1001161709	1	Switch, Toggle	
50	1001146220	1	Housing, Display Light	
51	1001170446	1	Decal - Platform Display	
52	1001170838	1	Gauge, Led Panel	
53	3520026	1	Plug	
54	3520027	1	Plug	
55	4360476	1	Switch, Contact	

SECTION 5 - PLATFORM

FIGURE 5-17. PLATFORM CONSOLE BOX ASSEMBLY - WITH SKYGUARD



SECTION 5 - PLATFORM

FIGURE 5-17. PLATFORM CONSOLE BOX ASSEMBLY - WITH SKYGUARD

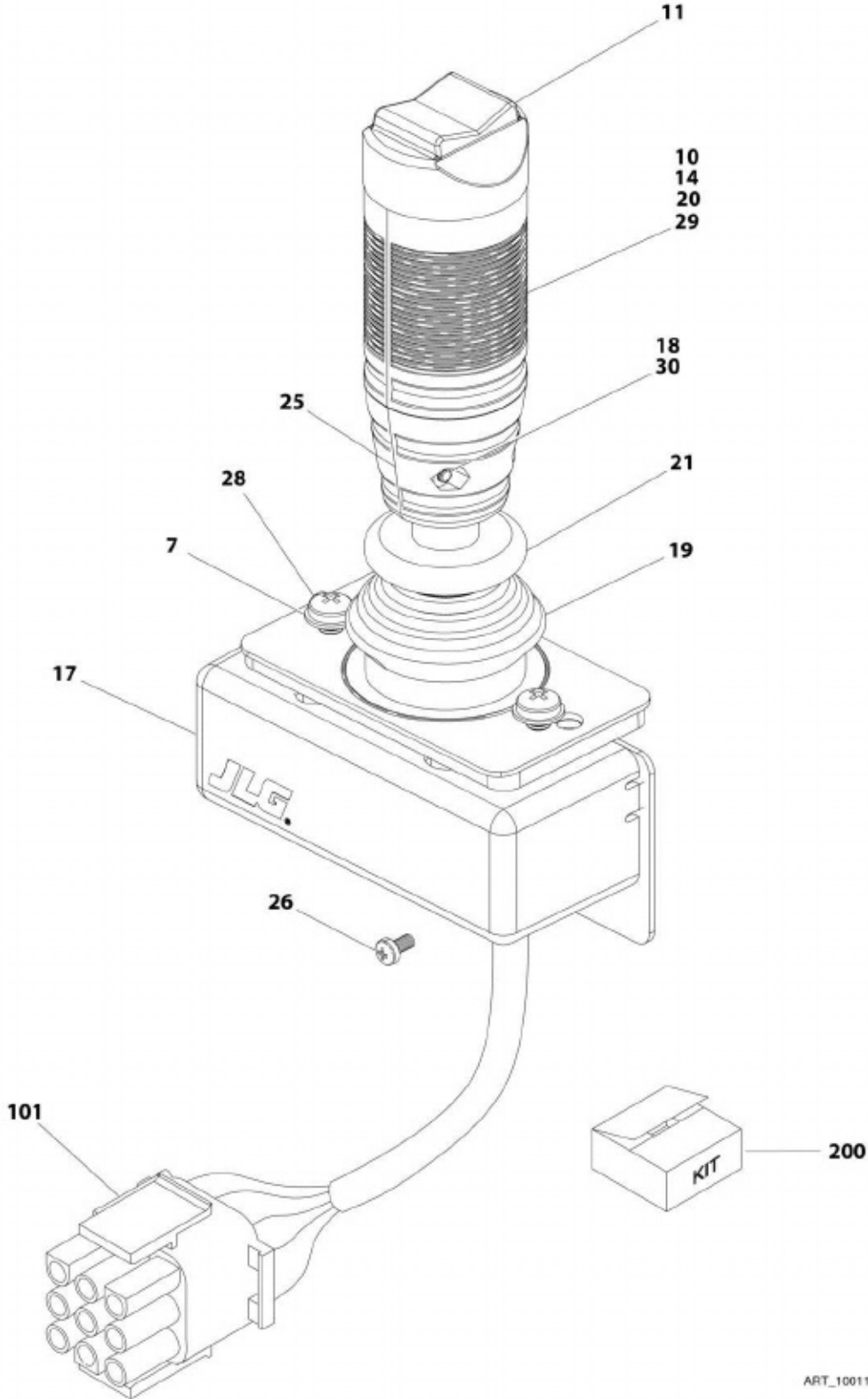
ITEM	PART NUMBER	QTY	DESCRIPTION	REV
	1001195444	Ref	PLATFORM CONSOLE BOX ASSEMBLY - WITH SKYGUARD	D
1	0100009	AR	Sealant	
2	0100048	AR	Grease, Dielectric	
3	0100081	AR	Adhesive	
4	0140011	1	Alarm	
5	0641405	4	Bolt, 1/4-20 x 5/8	
6	0641414	4	Bolt, 1/4-20 x 1-3/4	
7	0902751	4	Bracket (SN 0300199221 through 0300207005)	
7	1001172760	4	Bracket (SN 0300207006 to Present)	
7	0902751	4	Bracket (SN E300000001 through E300002772)	
7	1001172760	4	Bracket (SN E300002773 to Present)	
8	1670829	1	Bezel	
9	1702565	1	Decal - Drive and Steer	
10	1702566	1	Decal - Lift and Swing	
11	1702567	1	Decal - Function Speed	
12	1704260	1	Decal - EMS	
13	2560136	1	Handle, Knob	
14	3300353	4	Nut, Tinnerman	
15	3300408	2	Nut, Lock	
18	3520054	4	Plug	
19	3790012	8	O-Ring	
20	3911018	2	Screw, 10-24 x 1-1/8LG	
21	4240099	AR	Tie-Strap (Not Shown)	
22	4360387	2	Switch, Pushbutton	
23	4360407	1	Switch, Potentiometer	
24	4360475	1	Switch, Emergency	
24	7020175	1	Cap, Red	
24	7020176	1	Contact Block	
25	4360476	1	Block, Contact	
26	4460234	4	Terminal	
27	4460428	2	Connector, Strain Relief	
28	4460470	1	Nut, Terminal	
29	4460471	1	Washer, Lock	
30	4751400	8	Washer, 1/4	
31	1001110434	1	Plug	
32	1001117174	1	Footswitch Assembly (See FOOTSWITCH ASSEMBLY for Breakdown)	
33	1001118412	1	Module, Control	
34	1001146220	1	Housing, Display Light	
35	1001155044	8	Nut, Special 15/32-32	
36	1001155045	6	Switch, Toggle	
37	1001159256	1	Switch, Toggle	
38	1001161709	1	Switch, Toggle	
39	1001164353	1	Harness, Platform Console Box (See ELECTRICAL SECTION for Breakdown)	
40	1001164728	1	Harness, Platform Valve (See ELECTRICAL SECTION for Breakdown) (Prior to SN 0300212508, Prior to SN E300003014)	
41	1001166538	1	Controller Assembly (Drive and Steer) (See CONTROLLER ASSEMBLY (DRIVE AND STEER) for Breakdown)	
42	1001166539	NLA	Controller Assembly (Lift and Swing) (See CONTROLLER ASSEMBLY (LIFT AND SWING) for Breakdown) (Note: Use p/n	

SECTION 5 - PLATFORM

ITEM	PART NUMBER	QTY	DESCRIPTION	REV
			1001129555 as Replacement)	
43	1001170446	1	Decal - Platform Display	
44	1001170838	1	Gauge, Led Panel	
45	1001184618	1	Decal - Stop	
46	1001184626	1	Decal - Horn	
47	1001185281	1	Plug	
48	1001193730	1	Platform Console Box	
48A	0630568	1	Capscrew 3/8 x 4 - 1/2	
48B	3311601	1	Nut 3/8	
48C	3470003	2	Hairpin	
48D	4711500	2	Flatwasher 5/16	
49	1001192292	1	Harness, SkyGuard (Not Shown - See ELECTRICAL SECTION for Breakdown)	
50	2920028	1	Light, Indicator	
51	2920029	1	Bulb, Light	
52	1001144433	1	Decal - No Weight SkyGuard	

SECTION 5 - PLATFORM

FIGURE 5-18. CONTROLLER ASSEMBLY - DRIVE AND STEER



ART_1001166538

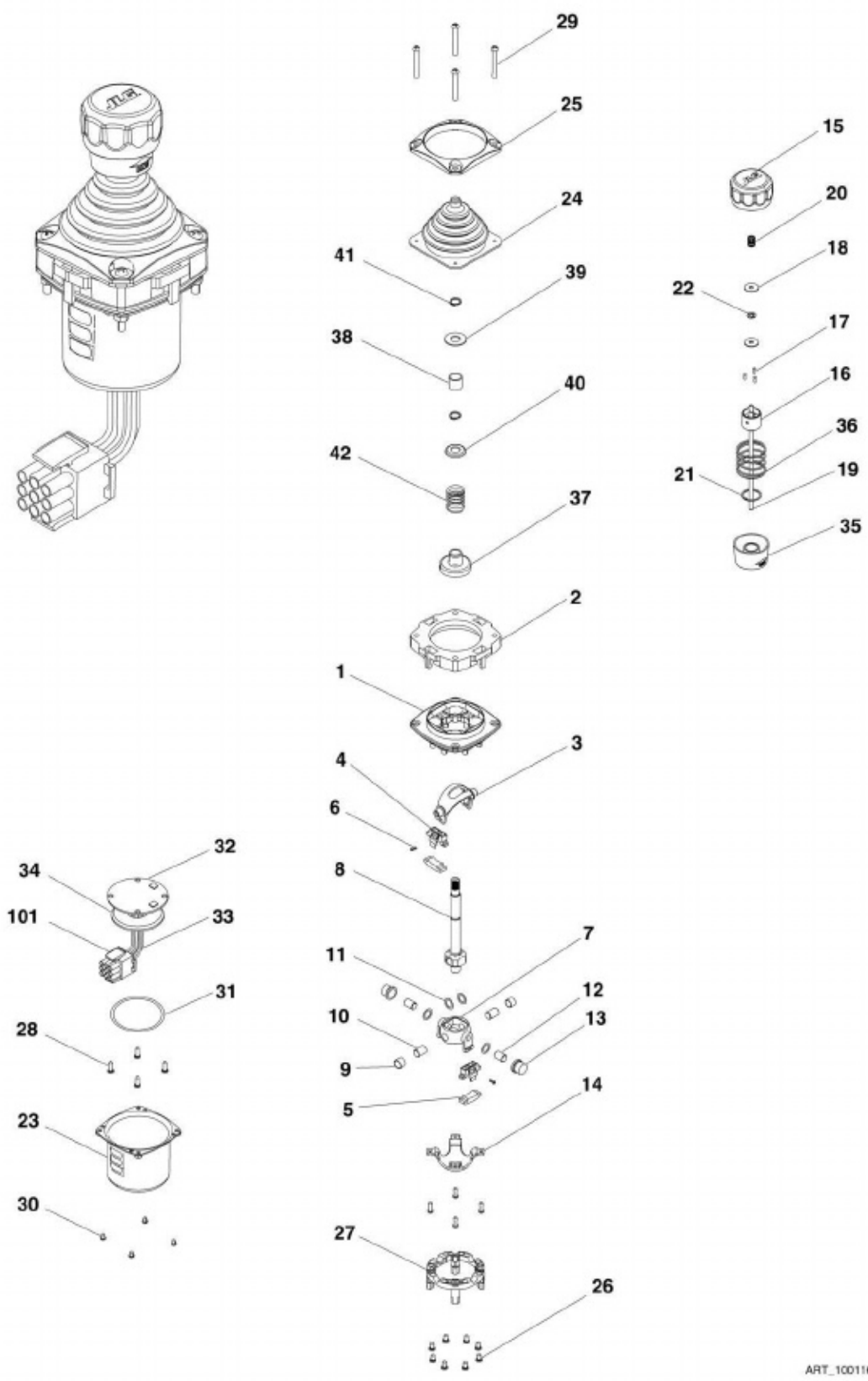
SECTION 5 - PLATFORM

FIGURE 5-18. CONTROLLER ASSEMBLY - DRIVE AND STEER

ITEM	PART NUMBER	QTY	DESCRIPTION	REV
	1001166538	1	CONTROLLER ASSEMBLY - DRIVE AND STEER	E
7	70004738	2	Washer	
10	70004739	1	Roller	
11	70004740	1	Boot, Switch	
14	70004741	2	Half, Handle	
17	70004742	1	Enclosure	
18	70004743	4	Nut	
19	70004744	NLA	Boot, Controller (Use Item 200)	
20	70004745	NLA	Tube, Locking (Use Item 200)	
21	70004746	NLA	Disc, Locking (Use Item 200)	
25	70004747	2	Seal, Rope	
26	70004748	1	Screw, M3 x 6mm	
28	70004749	2	Screw, M5 x 20mm	
29	70004750	1	Pin, Dowel	
30	70004751	4	Screw, M3 x 16mm	
101	4460265	1	Connector - 9 Position	
101	4460226	7	Socket, Female	
200	70005230	1	Boot Kit (Includes Items 19-21)	

SECTION 5 - PLATFORM

FIGURE 5-19. CONTROLLER ASSEMBLY - LIFT AND SWING



ART_1001166539

SECTION 5 - PLATFORM

FIGURE 5-19. CONTROLLER ASSEMBLY - LIFT AND SWING

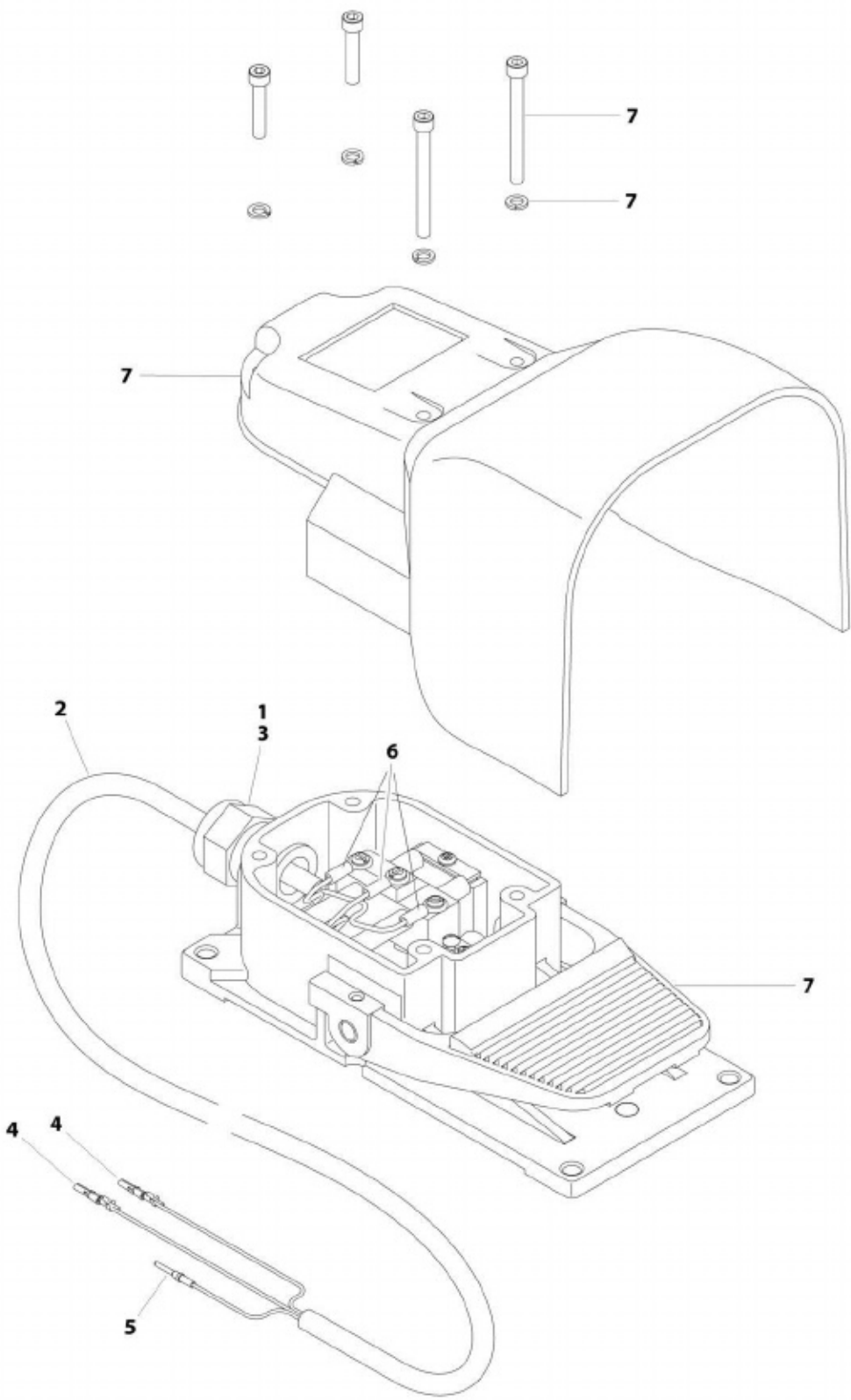
ITEM	PART NUMBER	QTY	DESCRIPTION	REV
	1001166539	Ref	CONTROLLER ASSEMBLY - LIFT AND SWING	D
	See Note	Ref	Note: Use p/n 1001129555 as Replacement	
1	See Note	1	Main Cast Body (Note: Not Available - Purchase Complete Assembly)	
2	70004752	1	Adapter	
3	See Note	NSS	Pivot Arm, Plastic (Note: Not Available - Purchase Complete Assembly)	
4	See Note	NSS	Holder, Magnet (Note: Not Available - Purchase Complete Assembly)	
5	See Note	NSS	Arc, Magnet (Note: Not Available - Purchase Complete Assembly)	
6	See Note	NSS	Screw (Note: Not Available for Purchase)	
7	See Note	NSS	Pivot Arm, Cast (Note: Not Available - Purchase Complete Assembly)	
8	See Note	NSS	Shaft, Main (Note: Not Available - Purchase Complete Assembly)	
9	See Note	NSS	Bearing (Note: Not Available - Purchase Complete Assembly)	
10	See Note	NSS	Pin (Note: Not Available - Purchase Complete Assembly)	
11	See Note	NSS	Shim (Note: Not Available - Purchase Complete Assembly)	
12	See Note	NSS	Pin (Note: Not Available - Purchase Complete Assembly)	
13	See Note	NSS	Bearing (Note: Not Available - Purchase Complete Assembly)	
14	See Note	NSS	Dome, Centering (Note: Not Available - Purchase Complete Assembly)	
15	70004753	1	Cap	
16	70004754	1	Insert, Cap	
17	70004755	3	Pin	
18	70004756	2	Washer	
19	70004757	1	Pin, Centering	
20	70004758	1	Spring	
21	70004759	1	Ring, Retaining	
22	70004760	1	E-Ring	
23	70004761	1	Can, Enclosure	
24	70004762	1	Boot	
25	70004763	1	Bezel	
26	See Note	NSS	Screw (Note: Not Available for Purchase)	
27	See Note	NSS	Base Mounting (Note: Not Available - Purchase Complete Assembly)	
28	See Note	NSS	Screw (Note: Not Available for Purchase)	
29	70004764	4	Screw	
30	70004765	4	Screw	
31	70004766	1	O-Ring	
32	See Note	NSS	Plate (Note: Not Available - Purchase Complete Assembly)	
33	See Note	NSS	Harness (Note: Not Available - Purchase Complete Assembly)	
34	70004767	1	Grommet, Rubber	
35	70004768	1	Housing	
36	70004769	1	Spring	
37	70004770	1	Stopper	
38	70004771	1	Spacer	
39	70004772	1	Washer	
40	70004773	1	Disc	
41	70004774	2	Ring, Retaining	
42	70004775	1	Spring	

SECTION 5 - PLATFORM

ITEM	PART NUMBER	QTY	DESCRIPTION	REV
101	4460265	1	Connector - 9 Position	
101	4460226	6	Socket, Female	

SECTION 5 - PLATFORM

FIGURE 5-20. FOOTSWITCH ASSEMBLY



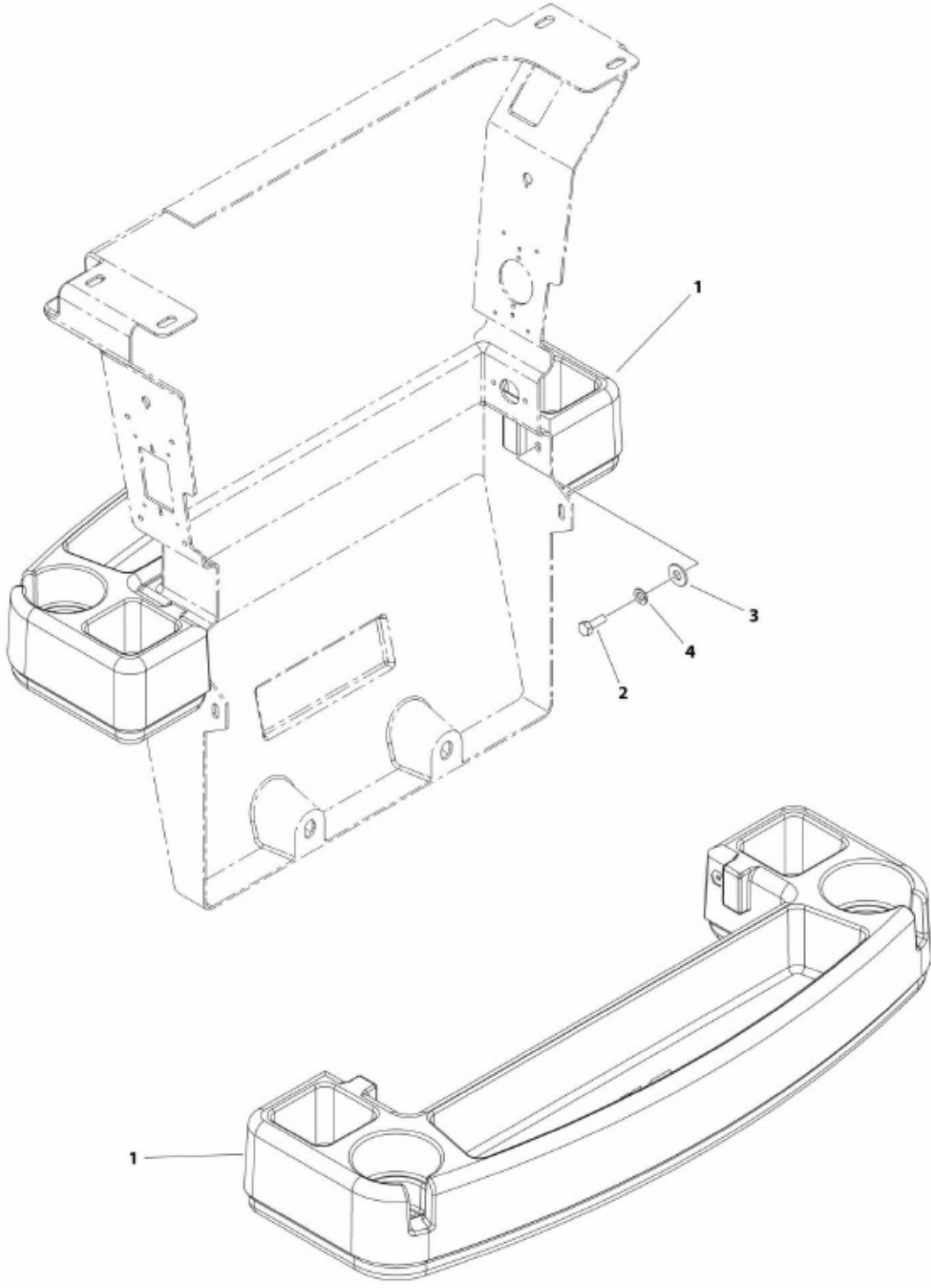
ART_1001117174

FIGURE 5-20. FOOTSWITCH ASSEMBLY

ITEM	PART NUMBER	QTY	DESCRIPTION	REV
	1001117174	Ref	FOOTSWITCH ASSEMBLY	B
1	0100020	AR	Sealant	
2	1060918	7.5 ft /2.29m	Cable, Electrical - 18/3	
3	4460071	1	Connector, Strain Relief	
4	4460226	2	Socket, Female	
5	4460464	1	Pin, Male	
6	1001098122	3	Terminal	
7	1001117172	1	Footswitch	
7	70002902	1	Switch, 20Amp	
7	70002903	1	Gasket	
7	70002905	1	Cover	
7	70002904	1	Kit, Replacement Bolt	

SECTION 5 - PLATFORM

FIGURE 5-21. TRAY ASSEMBLY



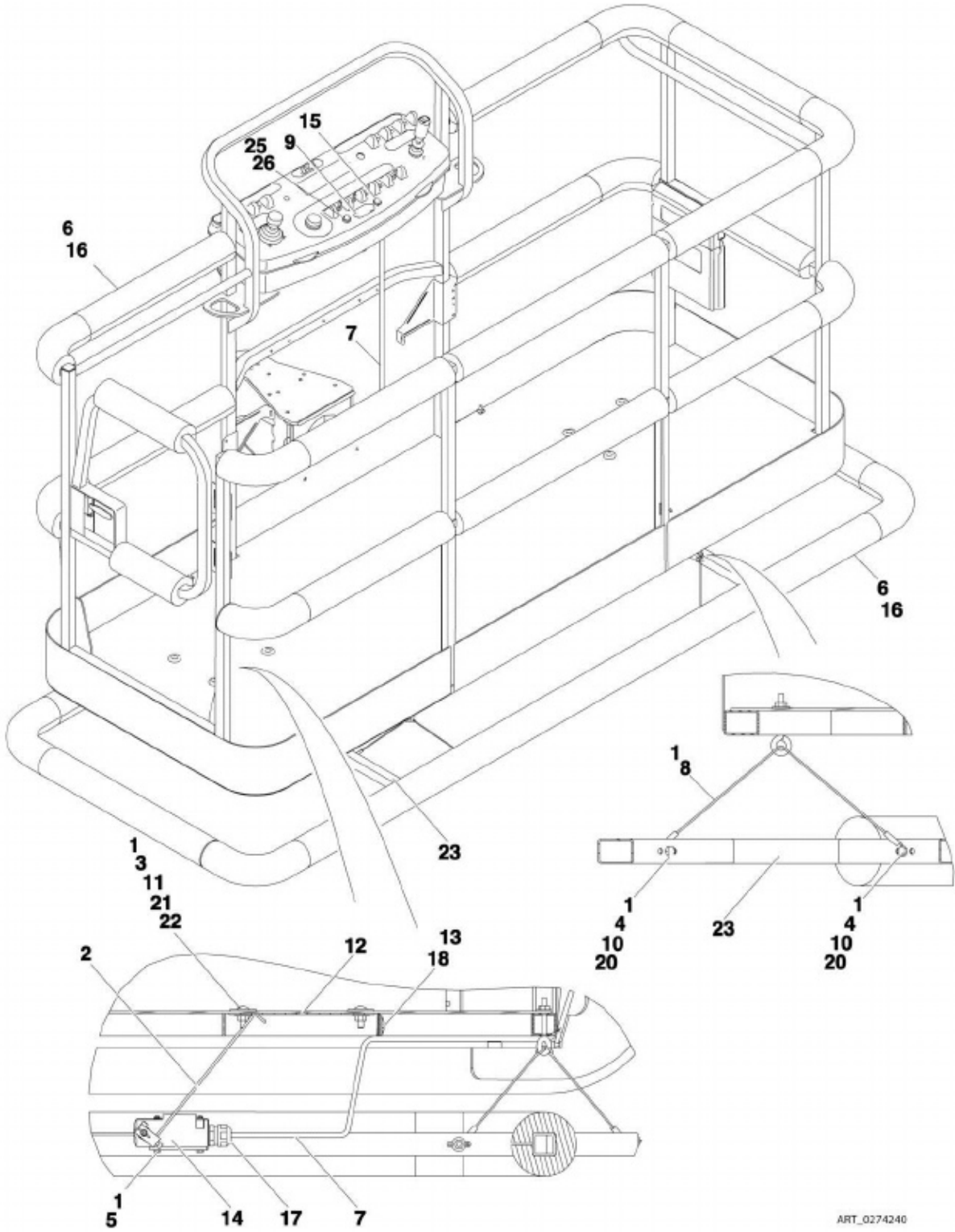
ART_1580012

FIGURE 5-21. TRAY ASSEMBLY

ITEM	PART NUMBER	QTY	DESCRIPTION	REV
	1580012	Ref	TRAY ASSEMBLY	C
1	See Note	1	Tray, Storage - Center (Note: Purchase p/n 1580012)	
2	0641406	2	Bolt, 1/4-20 x 3/4	
3	4751400	2	Washer, 1/4	
4	4761400	2	Washer, Locking, 1/4	

SECTION 5 - PLATFORM

FIGURE 5-22. SOFT TOUCH INSTALLATION - 6FT/1.8M PLATFORM (ANSI, ANSI EXPORT AND CSA SPECS) (Prior to SN 0300211853, Prior to SN E300002974)



ART_0274240

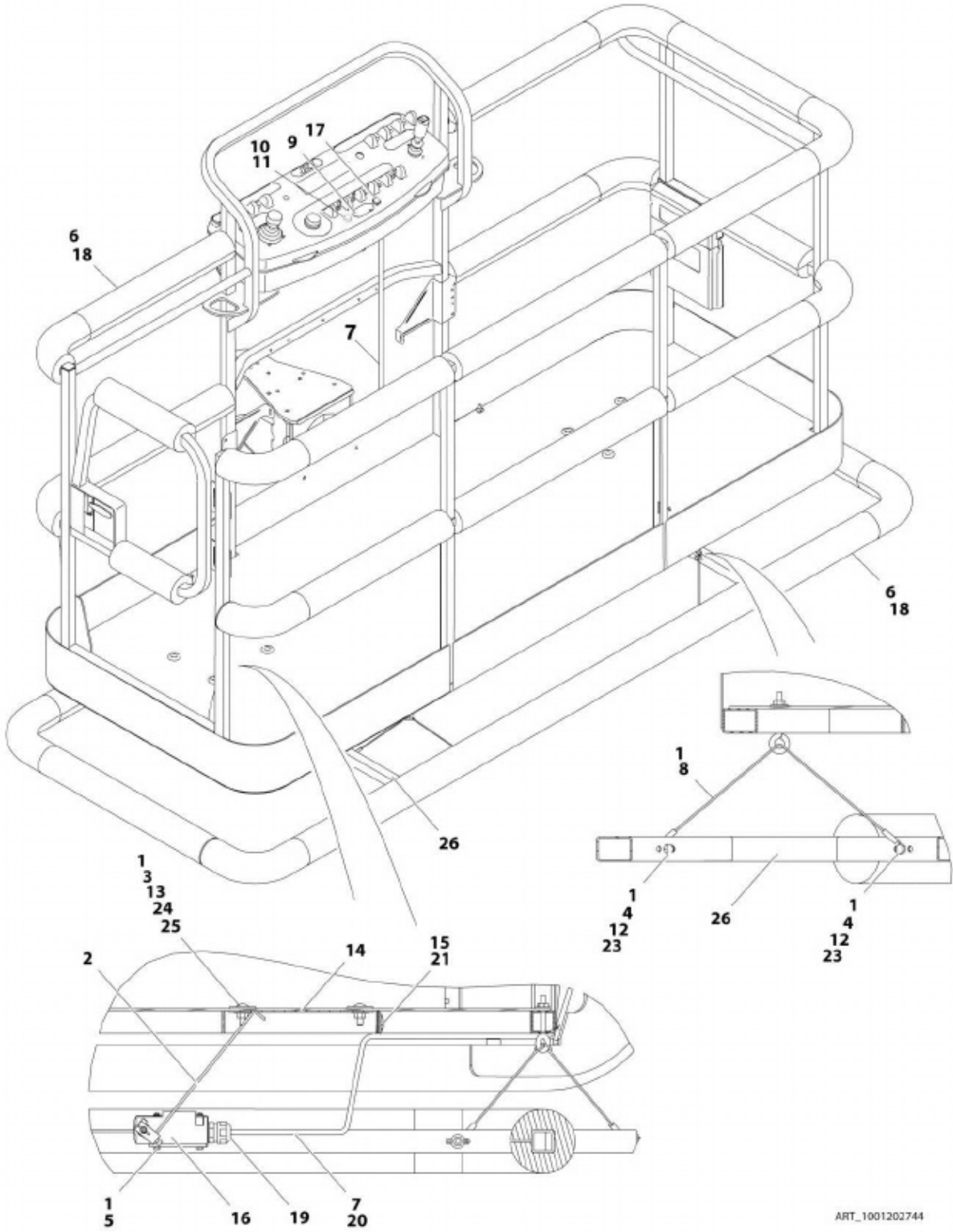
SECTION 5 - PLATFORM

FIGURE 5-22. SOFT TOUCH INSTALLATION - 6FT/1.8M PLATFORM (ANSI, ANSI EXPORT AND CSA SPECS) (Prior to SN 0300211853, Prior to SN E300002974)

ITEM	PART NUMBER	QTY	DESCRIPTION	REV
	0274240	Ref	SOFT TOUCH INSTALLATION - 6FT/1.8M PLATFORM (ANSI, ANSI EXPORT AND CSA SPECS)	C
1	0100011	AR	Compound, Locking	
2	0200048	2	Arm, Switch	
3	0630462	8	Bolt, Carriage	
4	0641414	8	Bolt, 1/4-20 x 1-3/4	
5	0721005	4	Bolt, #10-24 x 5/8	
6	0940167	1	Bumper Kits (Includes Corners and Enough Straight Material for One Platform)	
7	1060341	15 ft /4.57m	Cable, Electrical - 16/2	
8	1060903	4	Wire Rope and Eyebolt Assembly	
9	1702938	1	Decal - Soft Touch Override	
10	3311401	8	Nut, 1/4-20	
11	3311501	8	Nut, 5/16-18	
12	3575705	2	Plate, Switch Strike	
13	4240099	AR	Tie-Strap	
14	4360057	2	Switch, Limit	
15	4360387	1	Switch, Push Button	
16	4420068	1	Tape, Adhesive	
17	4460049	2	Connector, Strain Relief	
18	4460234	2	Tie-Strap Mount	
19	4460425	1	Connector, Strain Relief (Not Shown - Located on bottom of console box)	
20	4751400	16	Washer, 1/4	
21	4751500	8	Washer, 5/16	
22	4751800	8	Washer, 1/2	
23	4846370	1	Rail, Soft Touch	
24	4933218	1	Soft Touch Wiring Diagram (Not Shown - See ELECTRICAL SECTION for Breakdown)	
25	2920028	1	Lamp, Indicator	
26	2920029	1	Bulb, Light	

SECTION 5 - PLATFORM

FIGURE 5-23. SOFT TOUCH INSTALLATION - 6FT/1.8M PLATFORM (ANSI, ANSI EXPORT AND CSA SPECS) (SN 0300211853 to Present, SN E300002974 to Present)



ART_1001202744

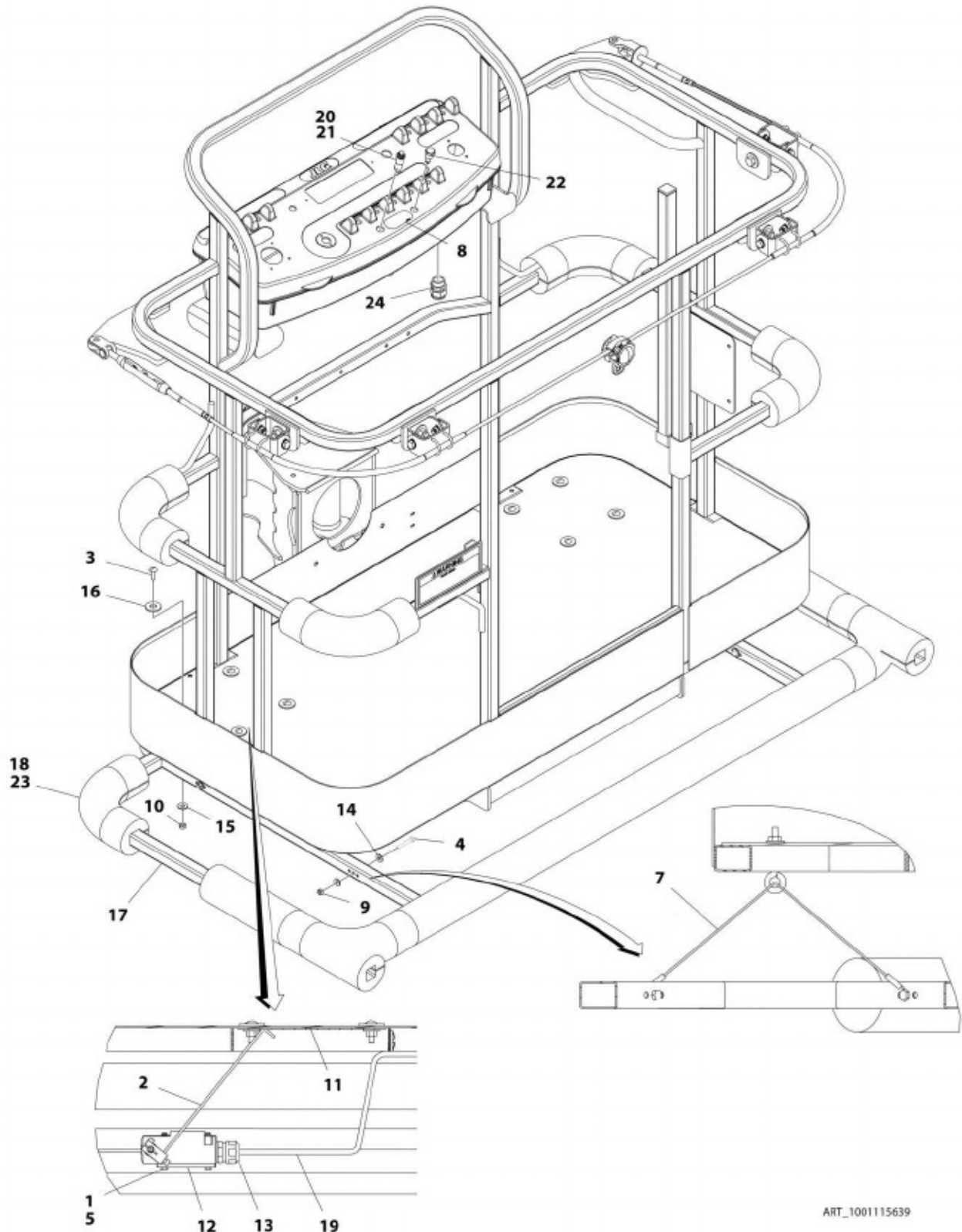
SECTION 5 - PLATFORM

FIGURE 5-23. SOFT TOUCH INSTALLATION - 6FT/1.8M PLATFORM (ANSI, ANSI EXPORT AND CSA SPECS) (SN 0300211853 to Present, SN E300002974 to Present)

ITEM	PART NUMBER	QTY	DESCRIPTION	REV
	1001202744	Ref	SOFT TOUCH INSTALLATION - 6FT/1.8M PLATFORM (ANSI, ANSI EXPORT AND CSA SPECS) (SN 0300211853 to Present, SN E300002974 to Present)	A
1	0100011	AR	Compound, Locking	
2	0200048	2	Arm, Switch	
3	0630462	8	Bolt, Carriage	
4	0641414	8	Bolt, 1/4-20 x 1-3/4	
5	0721005	4	Bolt, #10-24 x 5/8	
6	0940167	1	Bumper Kits (Includes Corners and Enough Straight Material for One Platform)	
7	1060341	15 ft /4.57m	Cable, Electrical - 16/2	
8	1060903	4	Wire Rope and Eyebolt Assembly	
9	1702938	1	Decal - Soft Touch Override	
10	2920028	1	Lamp, Indicator	
11	2920029	1	Bulb, Light	
12	3311401	8	Nut, 1/4-20	
13	3311501	8	Nut, 5/16-18	
14	3575705	2	Plate, Switch Strike	
15	4240099	AR	Tie-Strap	
16	4360057	2	Switch, Limit	
17	4360387	1	Switch, Push Button	
18	4420068	1	Tape, Adhesive	
19	4460049	2	Connector, Strain Relief	
20	4460226	4	Socket, Female	
21	4460234	2	Tie-Strap Mount	
22	4460425	1	Connector, Strain Relief (Not Shown - Located on bottom of console box)	
23	4751400	16	Washer, 1/4	
24	4751500	8	Washer, 5/16	
25	4751800	8	Washer, 1/2	
26	4846370	1	Rail, Soft Touch	

SECTION 5 - PLATFORM

FIGURE 5-24. SOFT TOUCH INSTALLATION - 5FT/1.52M PLATFORM WITH FALL ARREST (ANSI, ANSI EXPORT AND CSA SPECS) (Prior to SN 0300211853, Prior to SN E300002974)



ART_1001115639

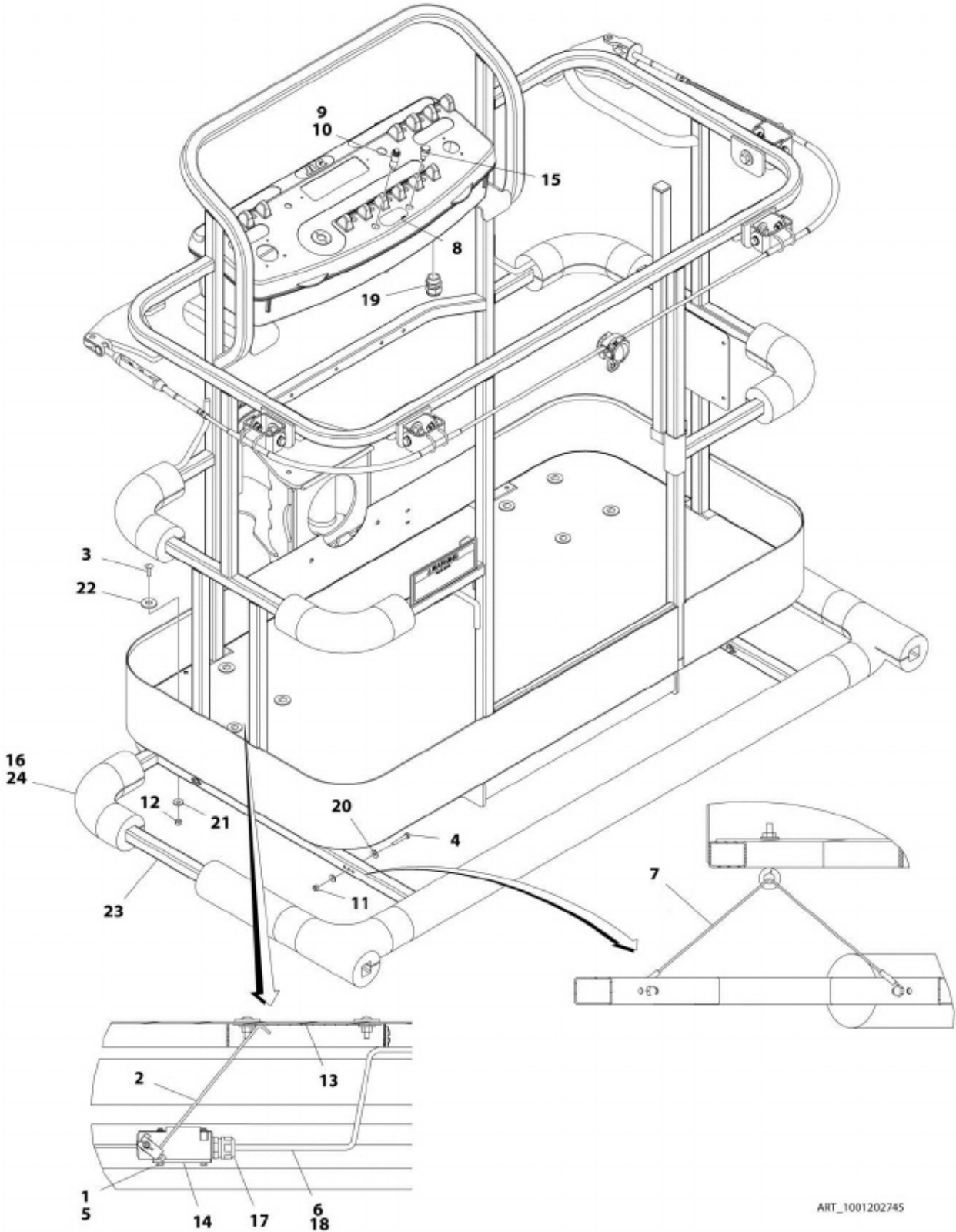
SECTION 5 - PLATFORM

FIGURE 5-24. SOFT TOUCH INSTALLATION - 5FT/1.52M PLATFORM WITH FALL ARREST (ANSI, ANSI EXPORT AND CSA SPECS) (Prior to SN 0300211853, Prior to SN E300002974)

ITEM	PART NUMBER	QTY	DESCRIPTION	REV
	1001115639	Ref	SOFT TOUCH INSTALLATION - 5FT/1.52M PLATFORM WITH FALL ARREST (ANSI, ANSI EXPORT AND CSA SPECS)	A
1	0100011	AR	Compound, Locking	
2	0200048	2	Arm, Switch	
3	0630462	8	Bolt, Carriage	
4	0641414	8	Bolt, 1/4-20 x 1-3/4	
5	0721005	4	Bolt, #10-24 x 5/8	
6	4933218	1	Soft Touch Wiring Diagram (Not Shown - See ELECTRICAL SECTION for Breakdown)	
7	1060903	4	Wire Rope and Eyebolt Assembly	
8	1702938	1	Decal - Soft Touch Override	
9	3311405	8	Nut, Lock 1/4-20	
10	3311501	8	Nut, 5/16-18	
11	3575705	2	Plate, Switch Strike	
12	4360057	2	Switch, Limit	
13	4460049	2	Connector, Strain Relief	
14	4751400	16	Washer, 1/4	
15	4751500	8	Washer, 5/16	
16	4751800	8	Washer, 1/2	
17	1001115641	1	Rail, Soft Touch	
18	1001115848	1	Bumper Kits (Includes Corners and Enough Straight Material for One Platform)	
19	1060341	15 ft /4.57m	Cable, Electrical - 16/2	
20	2920028	1	Lamp, Indicator	
21	2920029	1	Bulb, Light	
22	4360387	1	Switch, Push Button	
23	4420068	1	Tape, Adhesive	
24	4460425	1	Connector, Strain Relief	

SECTION 5 - PLATFORM

FIGURE 5-25. SOFT TOUCH INSTALLATION - 5FT/1.52M PLATFORM WITH FALL ARREST (ANSI, ANSI EXPORT AND CSA SPECS) (SN 0300211853 to Present, SN E300002974 to Present)



ART_1001202745

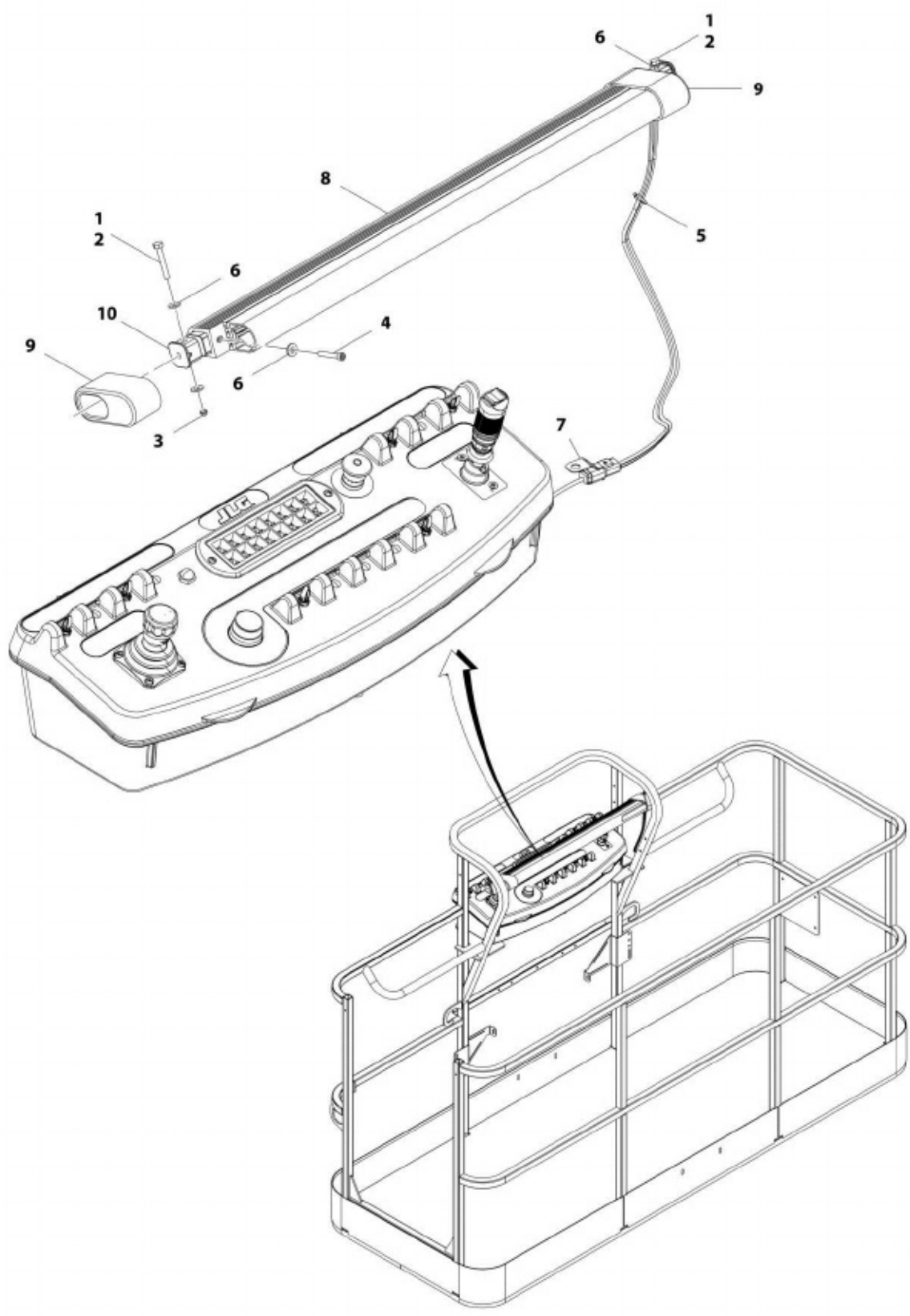
SECTION 5 - PLATFORM

FIGURE 5-25. SOFT TOUCH INSTALLATION - 5FT/1.52M PLATFORM WITH FALL ARREST (ANSI, ANSI EXPORT AND CSA SPECS) (SN 0300211853 to Present, SN E300002974 to Present)

ITEM	PART NUMBER	QTY	DESCRIPTION	REV
	1001202745	Ref	SOFT TOUCH INSTALLATION - 5FT/1.52M PLATFORM WITH FALL ARREST (ANSI, ANSI EXPORT AND CSA SPECS) (SN 0300211853 to Present, SN E300002974 to Present)	A
1	0100011	AR	Compound, Locking	
2	0200048	2	Arm, Switch	
3	0630462	8	Bolt, Carriage	
4	0641414	8	Bolt, 1/4-20 x 1-3/4	
5	0721005	4	Bolt, #10-24 x 5/8	
6	1060341	15 ft /4.57m	Cable, Electrical - 16/2	
7	1060903	4	Wire Rope and Eyebolt Assembly	
8	1702938	1	Decal - Soft Touch Override	
9	2920028	1	Lamp, Indicator	
10	2920029	1	Bulb, Light	
11	3311405	8	Nut, Lock 1/4-20	
12	3311501	8	Nut, 5/16-18	
13	3575705	2	Plate, Switch Strike	
14	4360057	2	Switch, Limit	
15	4360387	1	Switch, Push Button	
16	4420068	1	Tape, Adhesive	
17	4460049	2	Connector, Strain Relief	
18	4460226	4	Socket, Female	
19	4460425	1	Connector, Strain Relief	
20	4751400	16	Washer, 1/4	
21	4751500	8	Washer, 5/16	
22	4751800	8	Washer, 1/2	
23	1001115641	1	Rail, Soft Touch	
24	1001115848	1	Bumper Kits (Includes Corners and Enough Straight Material for One Platform)	

SECTION 5 - PLATFORM

FIGURE 5-26. SKYGUARD SYSTEM INSTALLATION



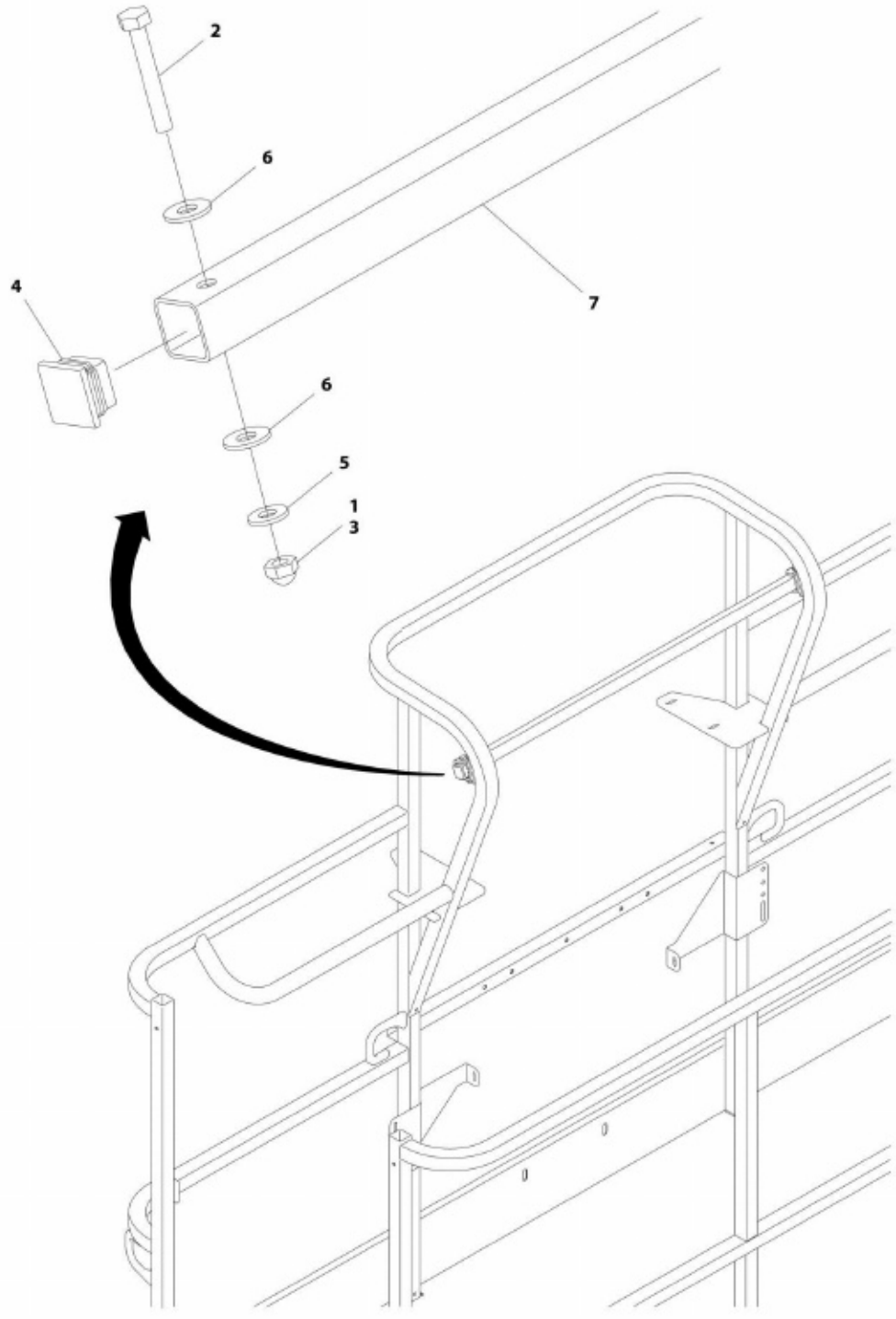
ART_1001187508

FIGURE 5-26. SKYGUARD SYSTEM INSTALLATION

ITEM	PART NUMBER	QTY	DESCRIPTION	REV
	1001187508	Ref	SKYGUARD SYSTEM INSTALLATION	A
1	0100011	AR	Compound, Locking	
2	0641414	2	Bolt, 1/4-20 x 1-3/4	
3	3300430	2	Nut, Acorn 1/4-20	
4	3931424	2	Capscrew, 1/4-20 x 1-1/2	
5	4240033	1	Tie-Strap	
6	4711400	6	Washer, 1/4	
7	1001120328	1	Mount	
8	1001137673	1	Switch, SkyGuard Assembly	
9	1001186517	2	Cover, Platform Sensor	
10	1001188889	2	Support, Block	

SECTION 5 - PLATFORM

FIGURE 5-27. CROSS RAIL INSTALLATION



ART_1001182138

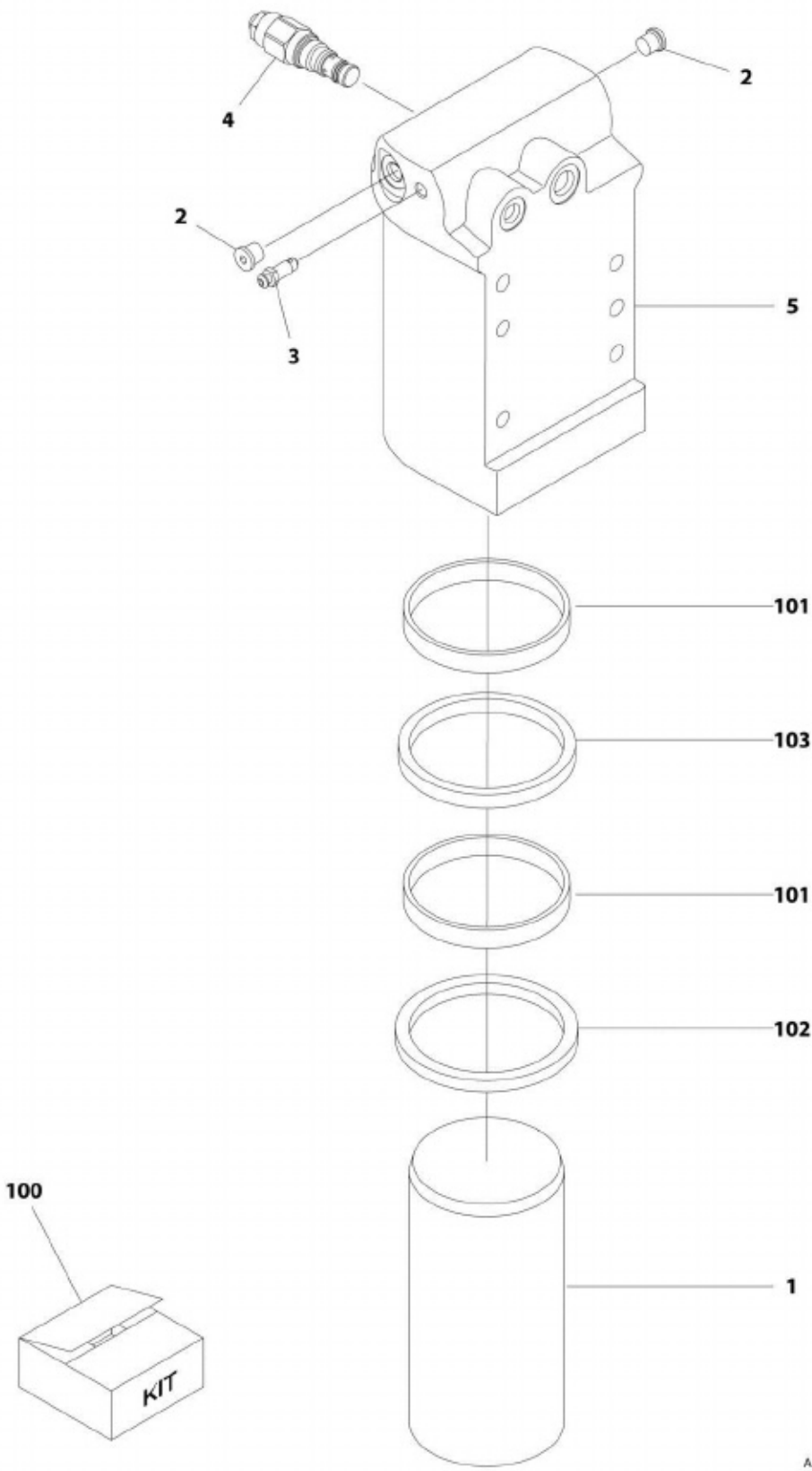
FIGURE 5-27. CROSS RAIL INSTALLATION

ITEM	PART NUMBER	QTY	DESCRIPTION	REV
	1001182138	Ref	CROSS RAIL INSTALLATION	A
1	0100071	AR	Compound, Locking	
2	0641414	2	Bolt 1/4 x 1-3/4	
3	3300430	2	Nut 1/4	
4	3520182	2	Plug	
5	4711400	2	Washer 1/4	
6	4751400	4	Washer 1/4	
7	1001191708	1	Bar	

SECTION 6 - CYLINDER

SECTION 6 - CYLINDER

FIGURE 6-1. AXLE LOCKOUT CYLINDER ASSEMBLY



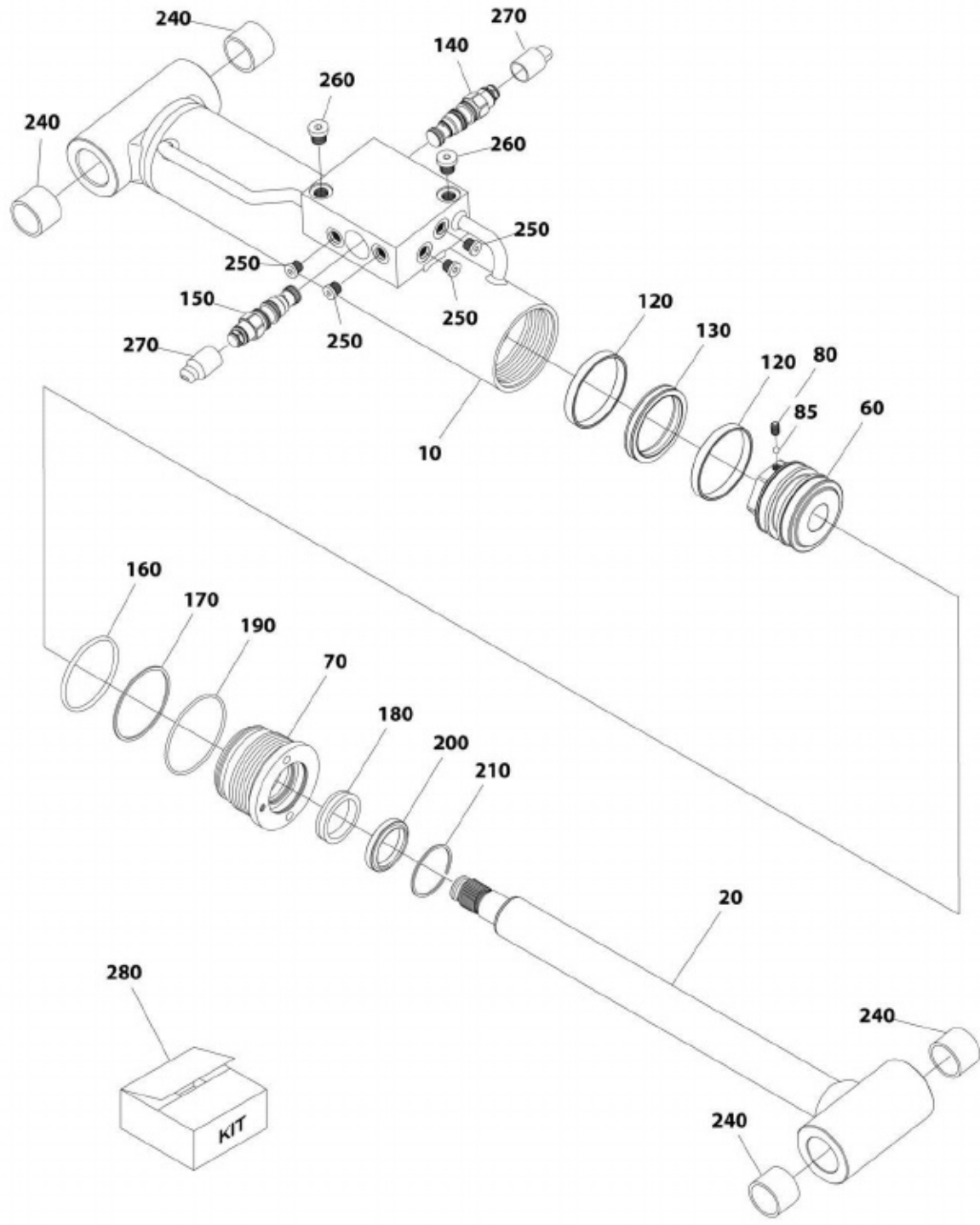
ART_1001163580

FIGURE 6-1. AXLE LOCKOUT CYLINDER ASSEMBLY

ITEM	PART NUMBER	QTY	DESCRIPTION	REV
	1001163580	Ref	AXLE LOCKOUT CYLINDER ASSEMBLY	G
1	1684290	1	Rod	
2	2220883	2	Plug #4	
3	4640858	1	Valve, Bleeder	
4	1001117372	1	Cartridge, Valve	
4	70002842	1	Seal Kit - 1001117372 Valve	
5	1001164817	1	Barrel	
100	2902266	1	Seal Kit - 1001163590 Cylinder (Includes Items 101-103)	
101	See Note	2	Ring, Wear	
102	See Note	1	Seal	
103	See Note	1	Wiper	

SECTION 6 - CYLINDER

FIGURE 6-2. LEVEL (PLATFORM SLAVE) CYLINDER ASSEMBLY



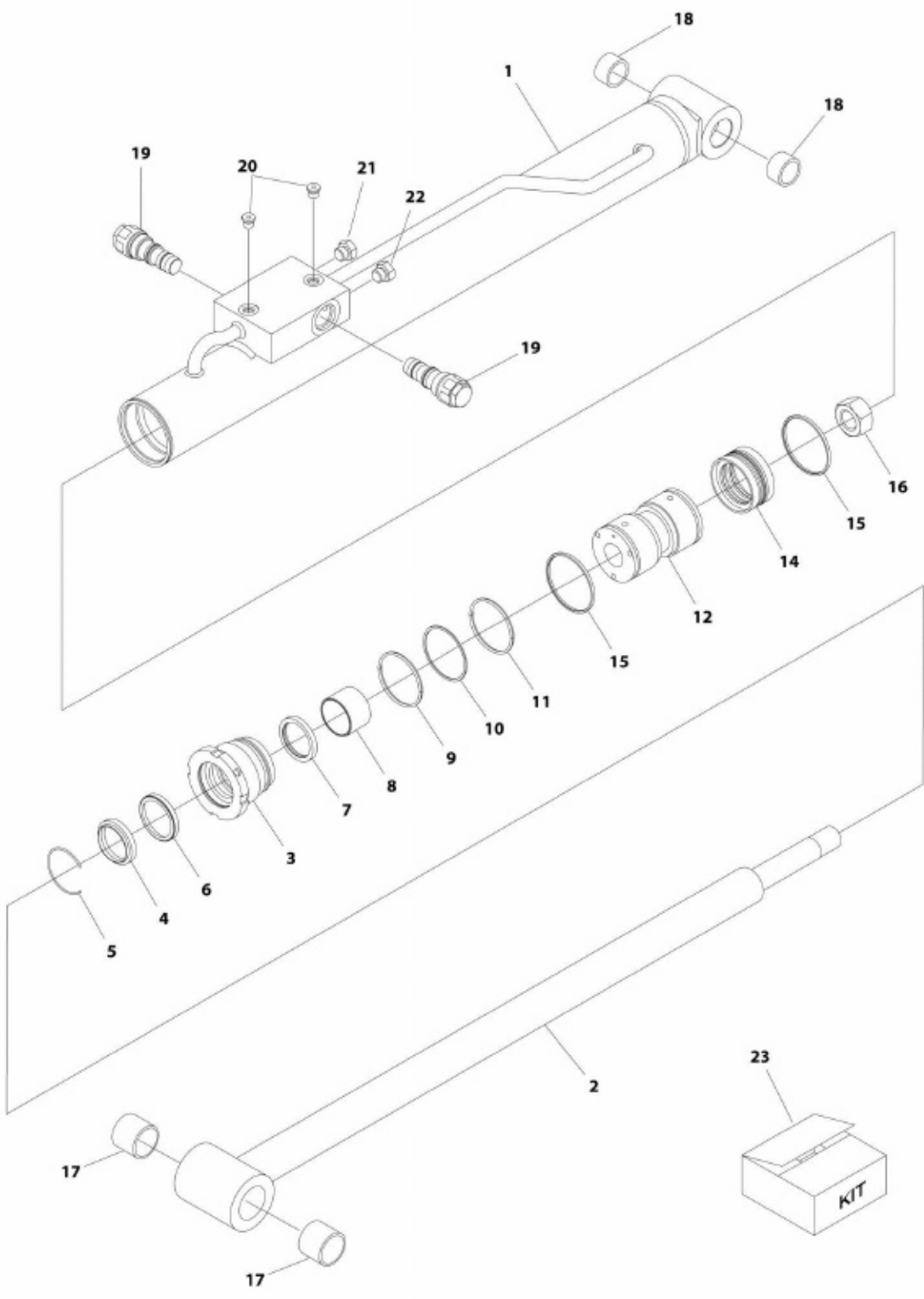
ART_1001161716

FIGURE 6-2. LEVEL (PLATFORM SLAVE) CYLINDER ASSEMBLY

ITEM	PART NUMBER	QTY	DESCRIPTION	REV
	1001161716	Ref	LEVEL (PLATFORM SLAVE) CYLINDER ASSEMBLY	D
10	70005010	1	Barrel	
20	70005011	1	Rod	
60	70005012	1	Piston	
70	70003837	1	Head	
80	70005013	1	Setscrew	
85	70005014	1	Ball	
120	See Note	NSS	Ring, Bearing (Note: Use Item 280)	
130	See Note	NSS	Seal, Piston (Note: Use Item 280)	
140	70002413	1	Cartridge, Valve	
140	2900770	1	Seal Kit - 70002413 Valve	
150	1001168210	1	Cartridge, Valve	
150	2900770	1	Seal Kit - 1001168210 Valve	
160	See Note	NSS	O-Ring (Note: Use Item 280)	
170	See Note	NSS	Seal (Note: Use Item 280)	
180	See Note	NSS	Seal (Note: Use Item 280)	
190	See Note	NSS	O-Ring (Note: Use Item 280)	
200	See Note	NSS	Wiper (Note: Use Item 280)	
210	70003838	1	Ring, Retaining	
240	0961951	4	Bushing	
250	70025619	4	Plug 7/16	
260	70024262	2	Plug 1/4	
270	See Note	2	Plug, Shipping (Note: Not Available for Purchase)	
280	70005016	1	Seal Kit - 1001161716 Cylinder (Includes Items 120 ,130 & 160-200)	

SECTION 6 - CYLINDER

FIGURE 6-3. LIFT CYLINDER ASSEMBLY - JIB



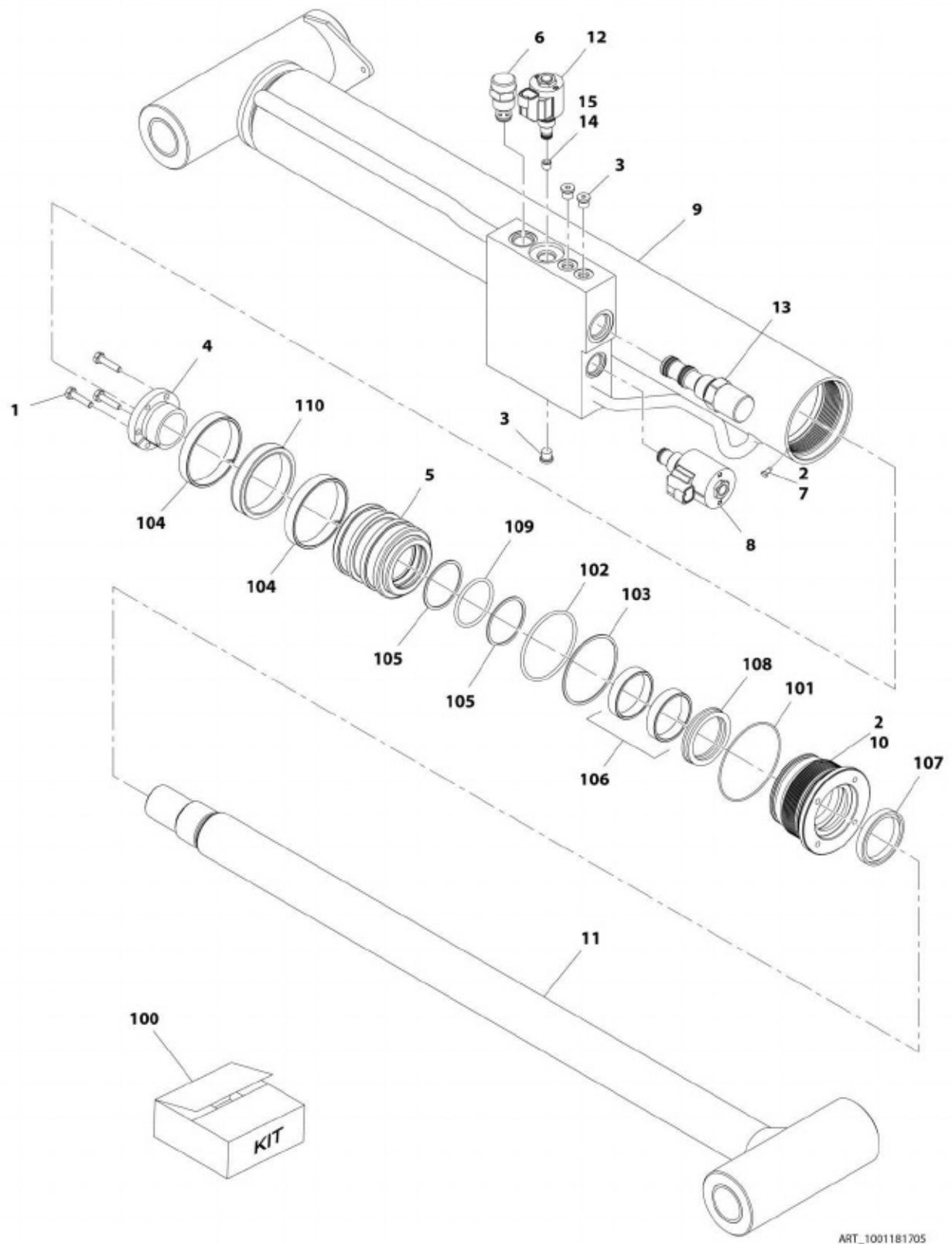
ART_1001163707

FIGURE 6-3. LIFT CYLINDER ASSEMBLY - JIB

ITEM	PART NUMBER	QTY	DESCRIPTION	REV
	1001163767	Ref	LIFT CYLINDER ASSEMBLY - JIB	B
1	70005155	1	Barrel	
2	70005156	1	Rod	
3	70005157	1	Head	
4	See Note	NSS	Wiper (Note: Use Item 23)	
5	70002373	1	Ring, Retaining	
6	See Note	NSS	Seal, Rod (Note: Use Item 23)	
7	See Note	NSS	Ring, Back-up (Note: Use Item 23)	
8	70005143	1	Bearing, Dry	
9	See Note	NSS	O-Ring (Note: Use Item 23)	
10	See Note	NSS	Ring, Back-up (Note: Use Item 23)	
11	See Note	NSS	O-Ring (Note: Use Item 23)	
12	70002371	1	Piston	
13	See Note	NSS	O-Ring (Note: Use Item 23)	
14	See Note	NSS	Seal, Piston (Note: Use Item 23)	
15	See Note	NSS	Ring, Piston (Note: Use Item 23)	
16	70002335	2	Nut	
17	70005158	2	Bushing	
18	70005159	2	Bushing	
19	4640509	2	Cartridge, Valve	
19	2900792	2	Seal Kit - 4640509 Valve	
20	70023370	2	Plug 7/16	
21	See Note	1	Plug 7/16 (Note: Not Available for Purchase)	
22	See Note	1	Plug 9/16 (Note: Not Available for Purchase)	
23	70005160	1	Seal Kit - 1001163767 Cylinder (Includes Items 4, 6, 7, 9-11 & 13-15)	

SECTION 6 - CYLINDER

FIGURE 6-4. LIFT CYLINDER ASSEMBLY - MAIN BOOM (USA BUILT MACHINES)



ART_1001181705

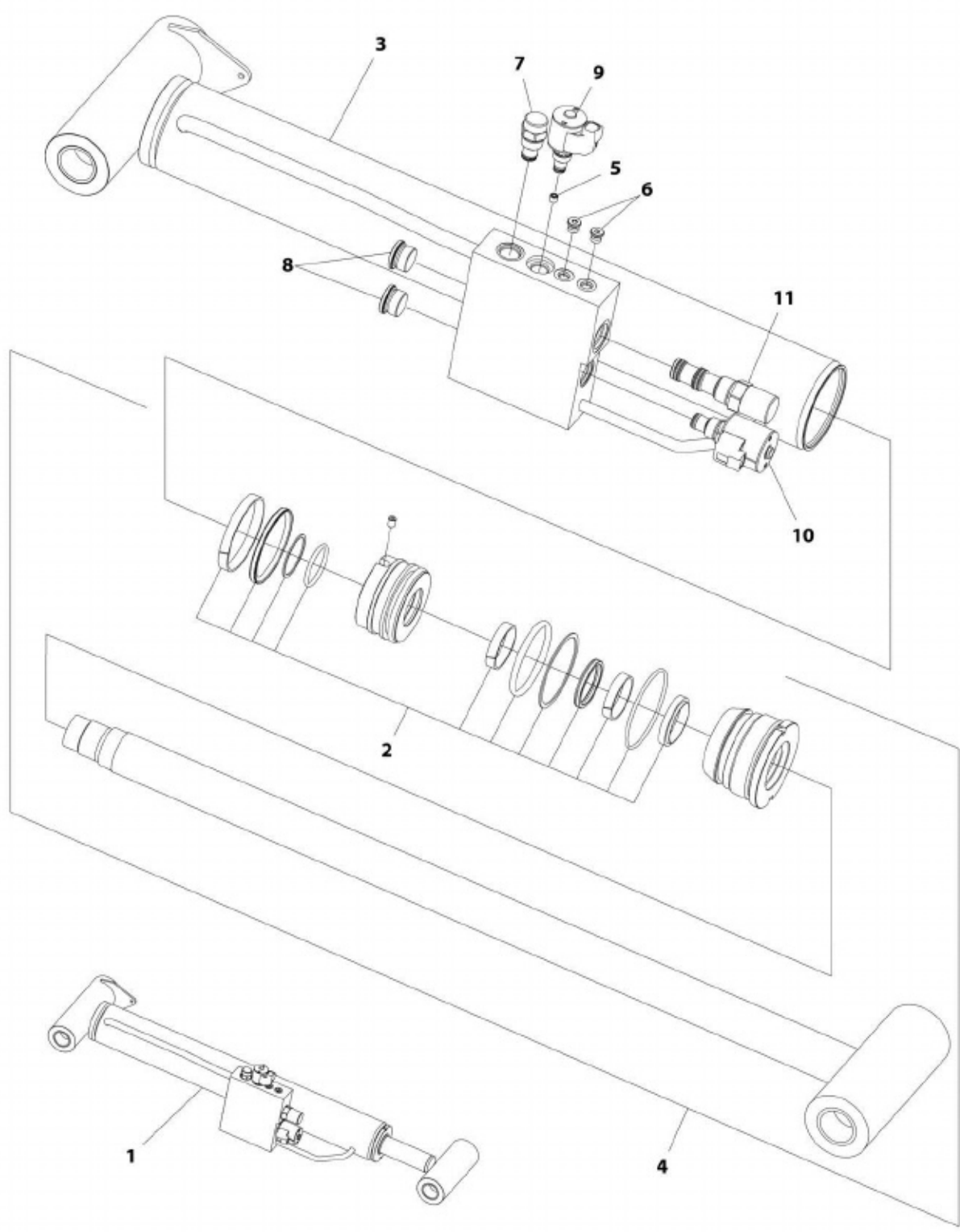
SECTION 6 - CYLINDER

FIGURE 6-4. LIFT CYLINDER ASSEMBLY - MAIN BOOM (USA BUILT MACHINES)

ITEM	PART NUMBER	QTY	DESCRIPTION	REV
	1001181705	Ref	LIFT CYLINDER ASSEMBLY - MAIN BOOM (USA BUILT MACHINES)	C
1	0630535	3	Capscrew 1/4 x 1-1/8	
2	3020043	AR	Lubricant	
3	2220883	3	Plug #4	
4	0961896	1	Bushing	
5	1001182017	1	Piston	
6	4641390	1	Cartridge, Check Valve	
6	7017496	1	Seal Kit - 4641390 Valve	
7	1001125137	1	Setscrew #8	
8	See Note	1	Valve, Cartridge (Note: See BOOM SECTION for Components)	
9	1001181995	1	Barrel	
9	0961948	2	Bushing	
10	1001182020	1	Head	
11	1001182018	1	Rod	
11	0961948	2	Bushing	
12	See Note	1	Valve, Cartridge (Note: See BOOM SECTION for Components)	
13	1001165131	1	Valve, Pressure Compensator (Prior to SN 0300210495)	
13	1001203628	1	Valve, Pressure Compensator (SN 0300210495 to Present)	
13	7012925	1	Seal Kit - 1001165131 & 1001203628 Valve	
14	1001170759	1	Orifice .047"	
15	0100035	AR	Compound, Locking	
100	1001182021	1	Seal Kit - 1001181705 Cylinder (Includes Items 101-110)	
101	See Note	NSS	O-Ring (Note: Use Item 100)	
102	See Note	NSS	O-Ring (Note: Use Item 100)	
103	See Note	NSS	Ring, Back-up (Note: Use Item 100)	
104	See Note	NSS	Ring, Wear (Note: Use Item 100)	
105	See Note	NSS	Ring, Back-up (Note: Use Item 100)	
106	See Note	NSS	Ring, Wear (Note: Use Item 100)	
107	See Note	NSS	Wiper (Note: Use Item 100)	
108	See Note	NSS	Seal (Note: Use Item 100)	
109	See Note	NSS	O-Ring (Note: Use Item 100)	
110	See Note	NSS	O-Ring (Note: Use Item 100)	

SECTION 6 - CYLINDER

FIGURE 6-5. LIFT CYLINDER ASSEMBLY - MAIN BOOM (ROMANIAN BUILT MACHINES)



ART_1001181324

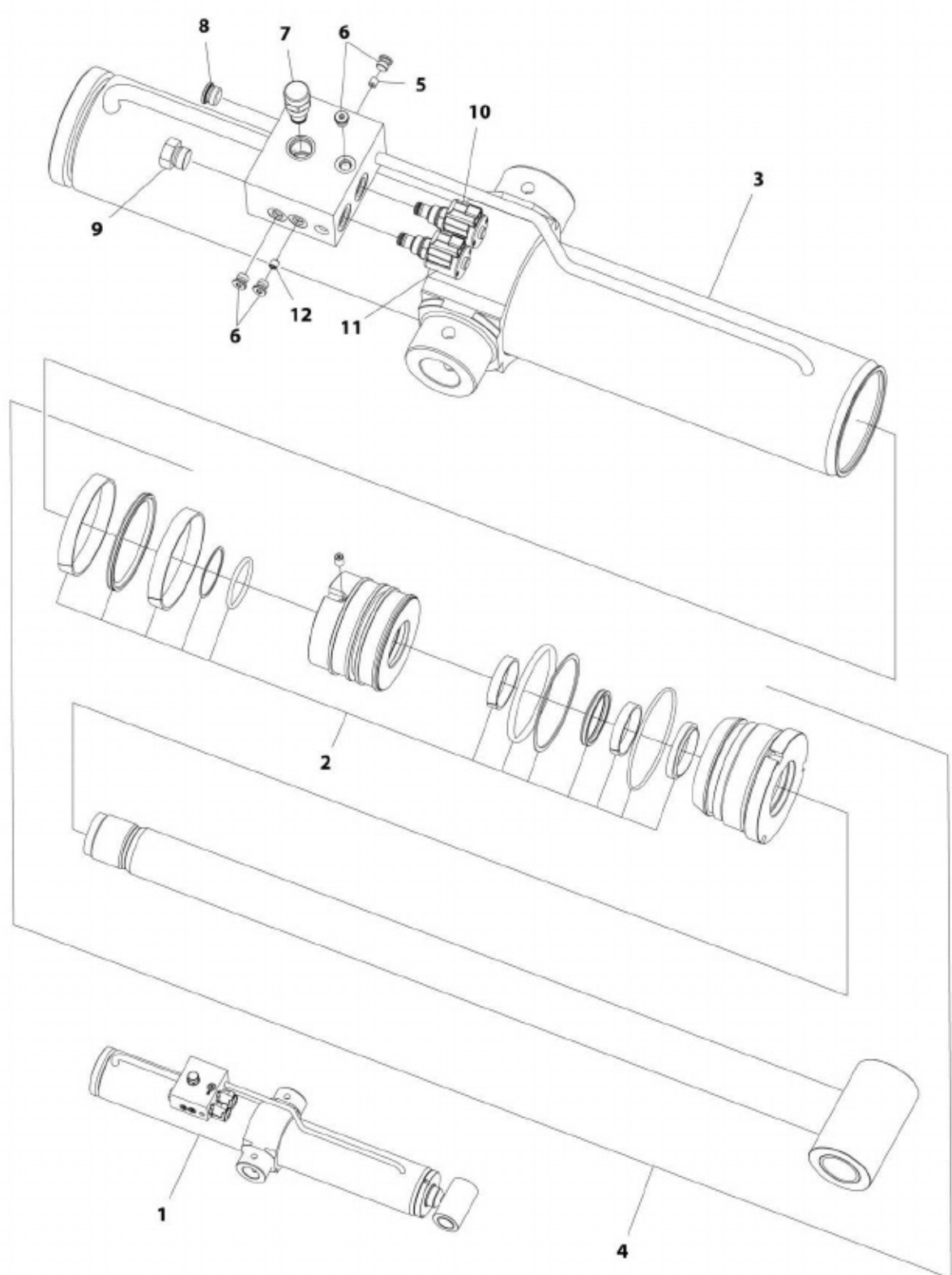
SECTION 6 - CYLINDER

FIGURE 6-5. LIFT CYLINDER ASSEMBLY - MAIN BOOM (ROMANIAN BUILT MACHINES)

ITEM	PART NUMBER	QTY	DESCRIPTION	REV
1	1001181324	Ref	LIFT CYLINDER ASSEMBLY - MAIN BOOM (ROMANIAN BUILT MACHINES)	B
2	70004963	1	Seal Kit - 1001181324 Cylinder (Part of Item 4)	
3	70004962	1	Barrel (Includes Bushings)	
3	0961948	1	Bushing	
4	70004961	1	Rod Assembly (Includes Seal Kit and Bushings)	
4	0961948	1	Bushing	
5	2180736	1	Orifice	
6	2220883	2	Plug #4	
7	4641390	1	Cartridge, Check Valve	
7	7017496	1	Seal Kit - 4641390 Valve	
8	See Note	NSS	Plug, Shipping (Note: Not Available for Purchase)	
9	1001164709	1	Cartridge, Solenoid Valve (Includes Coil)	
9	7017467	1	Cartridge, Solenoid Valve Less Coil	
9	7012998	1	Seal Kit - 1001164709 & 7017467 Valve	
9	70002386	1	Coil	
10	1001148972	1	Cartridge, Solenoid Valve (Includes Coil)	
10	70002401	1	Cartridge, Solenoid Valve Less Coil	
10	7017496	1	Seal Kit - 1001148972 & 70002401 Valves	
10	70003788	1	Coil	
11	1001165131	1	Cartridge, Compensator Valve (SN E300000001 through E300003031)	
11	1001203628	1	Cartridge, Compensator Valve (SN E300003032 to Present)	
11	7012925	1	Seal Kit - 1001165131 & 1001203628 Valve	

SECTION 6 - CYLINDER

FIGURE 6-6. LIFT CYLINDER ASSEMBLY - TOWER BOOM



ART_1001161715

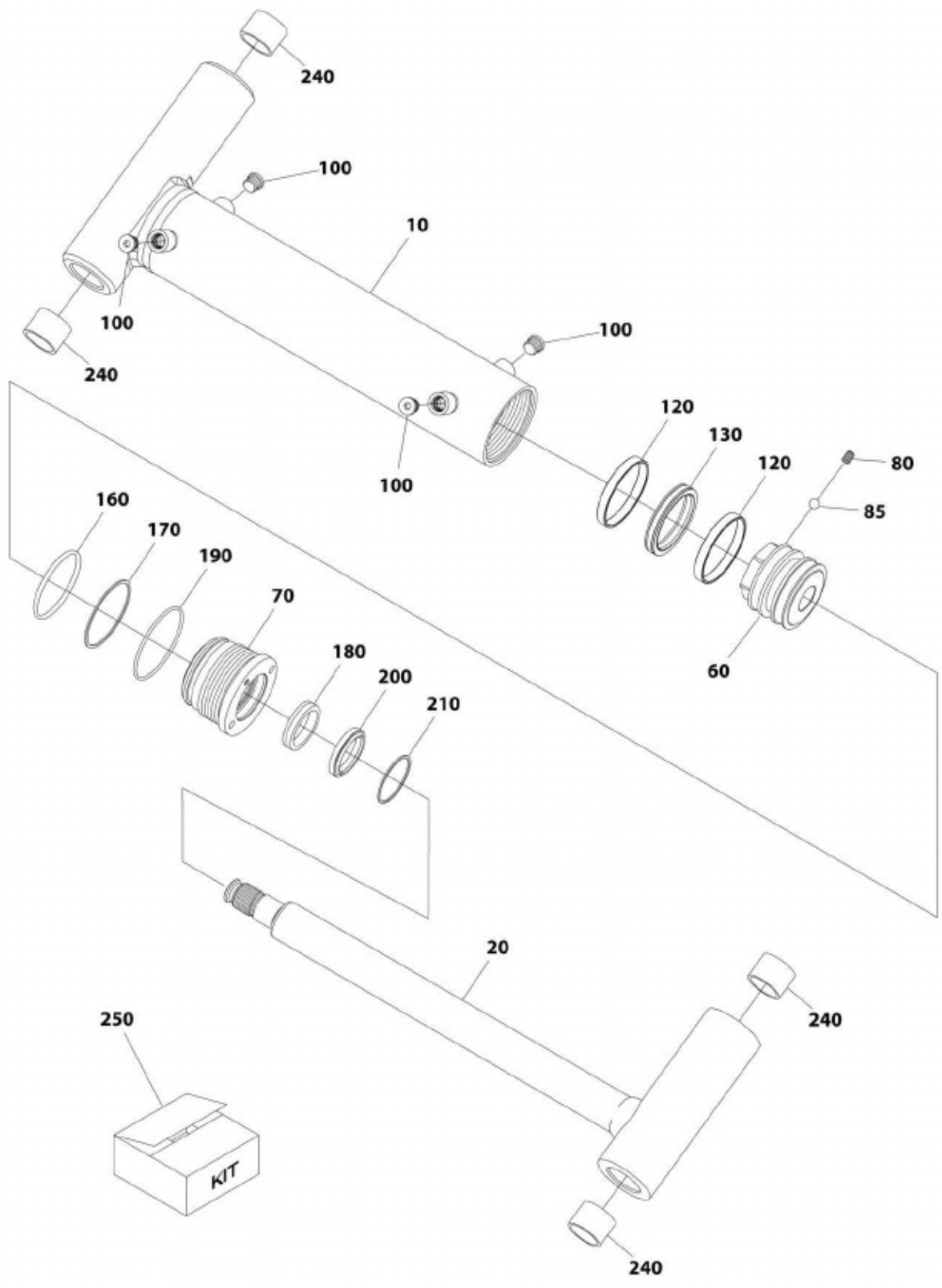
SECTION 6 - CYLINDER

FIGURE 6-6. LIFT CYLINDER ASSEMBLY - TOWER BOOM

ITEM	PART NUMBER	QTY	DESCRIPTION	REV
1	1001161715	1	LIFT CYLINDER ASSEMBLY - TOWER BOOM	F
2	70004966	1	Seal Kit - 1001161715 Cylinder	
3	70004965	1	Barrel	
4	70004964	1	Rod Assembly (Includes Seal Kit and Bushings)	
4	0961948	2	Bushing	
5	70005578	1	Plug, Orifice	
6	2220883	4	Plug #4	
7	4641390	1	Cartridge, Check Valve	
7	7017496	1	Seal Kit - 4641390 Valve	
8	2220886	1	Plug #8	
9	See Note	1	Plug, Shipping (Note: Not Available for Purchase)	
10	1001166208	1	Cartridge, Solenoid Valve (Includes Coil)	
10	7024884	1	Cartridge, Solenoid Valve Less Coil	
10	7012967	1	Seal Kit - 1001166208 & 7024884 Valves	
10	70002386	1	Coil	
11	1001164709	1	Cartridge, Solenoid Valve (Includes Coil)	
11	7017467	1	Cartridge, Solenoid Valve Less Coil	
11	7012998	1	Seal Kit - 1001164709 & 7017467 Valves	
11	70002386	1	Coil	
12	70005577	1	Plug, Orifice	

SECTION 6 - CYLINDER

FIGURE 6-7. MASTER CYLINDER ASSEMBLY



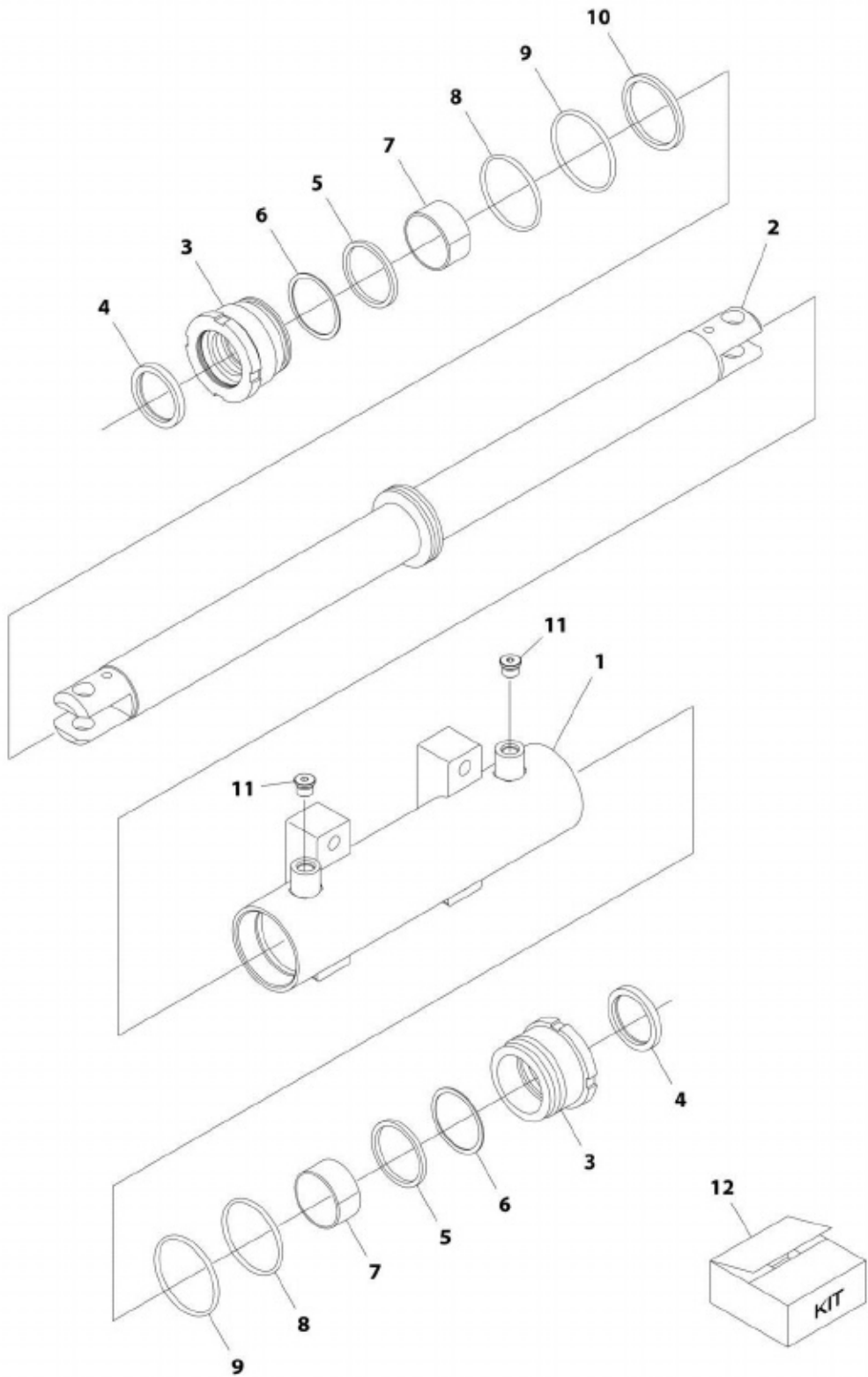
ART_1001161717

FIGURE 6-7. MASTER CYLINDER ASSEMBLY

ITEM	PART NUMBER	QTY	DESCRIPTION	REV
	1001161717	Ref	MASTER CYLINDER ASSEMBLY	D
10	70005017	1	Barrel	
20	70005018	1	Rod	
60	70005012	1	Piston	
70	70003837	1	Head	
80	70005013	1	Setscrew	
85	70005014	1	Ball	
100	70025959	4	Plug 9/16	
120	See Note	NSS	Ring, Piston (Note: Use Item 250)	
130	See Note	NSS	Seal (Note: Use Item 250)	
160	See Note	NSS	O-Ring (Note: Use Item 250)	
170	See Note	NSS	Ring (Note: Use Item 250)	
180	See Note	NSS	Seal (Note: Use Item 250)	
190	See Note	NSS	O-Ring (Note: Use Item 250)	
200	See Note	NSS	Wiper (Note: Use Item 250)	
210	70003838	1	Ring, Retaining	
240	0961951	4	Bushing	
250	70005016	1	Seal Kit - 1001161717 Cylinder (Includes Items 120-200)	

SECTION 6 - CYLINDER

FIGURE 6-8. STEER CYLINDER ASSEMBLY



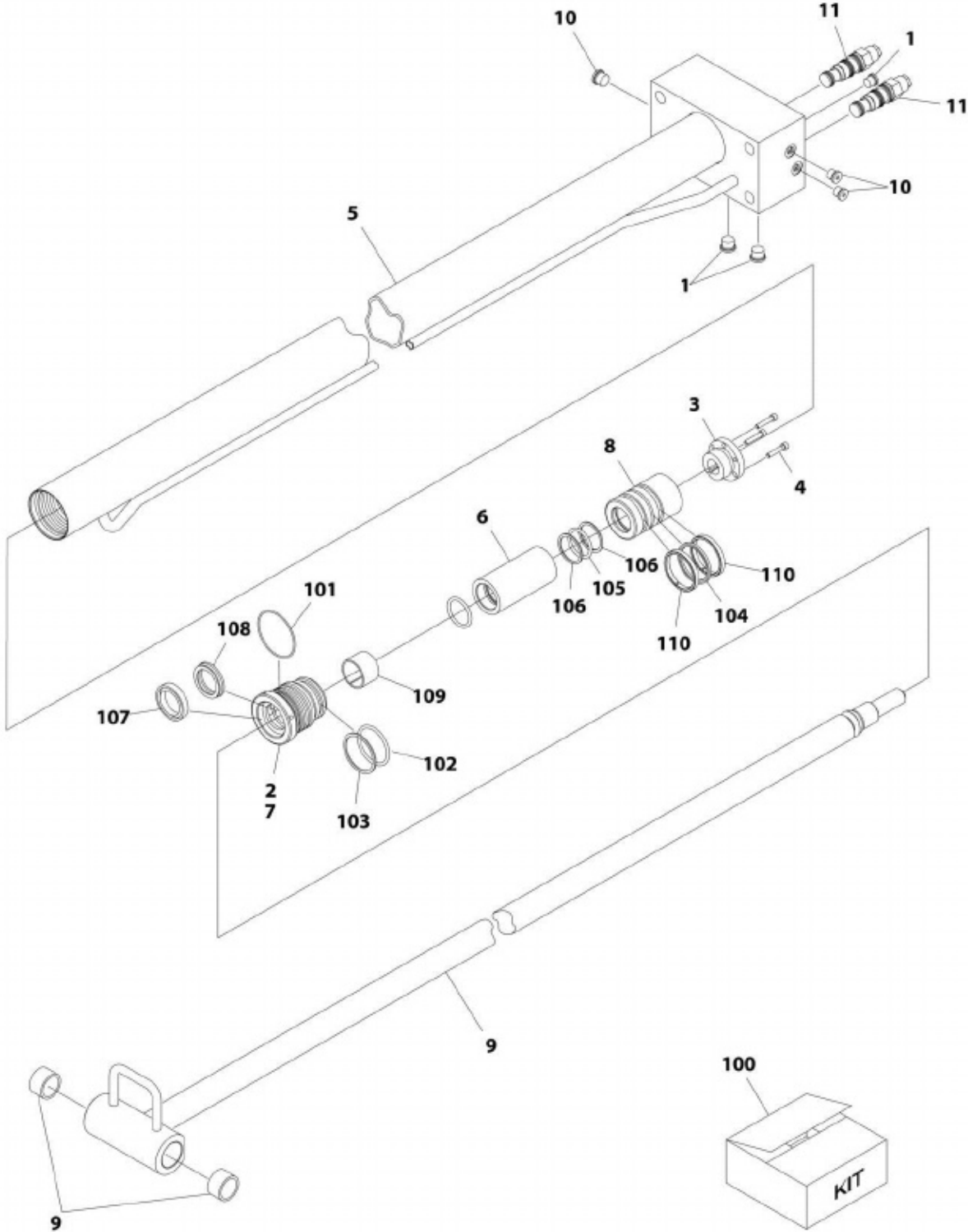
ART_1001163178

FIGURE 6-8. STEER CYLINDER ASSEMBLY

ITEM	PART NUMBER	QTY	DESCRIPTION	REV
	1001163178	Ref	STEER CYLINDER ASSEMBLY	D
1	70005150	1	Barrel	
2	70005151	1	Rod	
3	70005152	2	Head	
4	See Note	NSS	Wiper (Note: Use Item 12)	
5	See Note	NSS	Seal, Rod (Note: Use Item 12)	
6	See Note	NSS	Ring, Back-up (Note: Use Item 12)	
7	70005153	2	Bearing, Dry	
8	See Note	NSS	O-Ring (Note: Use Item 12)	
9	See Note	NSS	O-Ring (Note: Use Item 12)	
10	See Note	NSS	Seal, Piston (Note: Use Item 12)	
11	See Note	2	Plug 9/16 (Note: Not Available for Purchase)	
12	70005154	1	Seal Kit - 1001163178 Cylinder (Includes Items 4-6 & 8-10)	

SECTION 6 - CYLINDER

FIGURE 6-9. TELESCOPE CYLINDER ASSEMBLY (USA BUILT MACHINES)



ART_1001164523

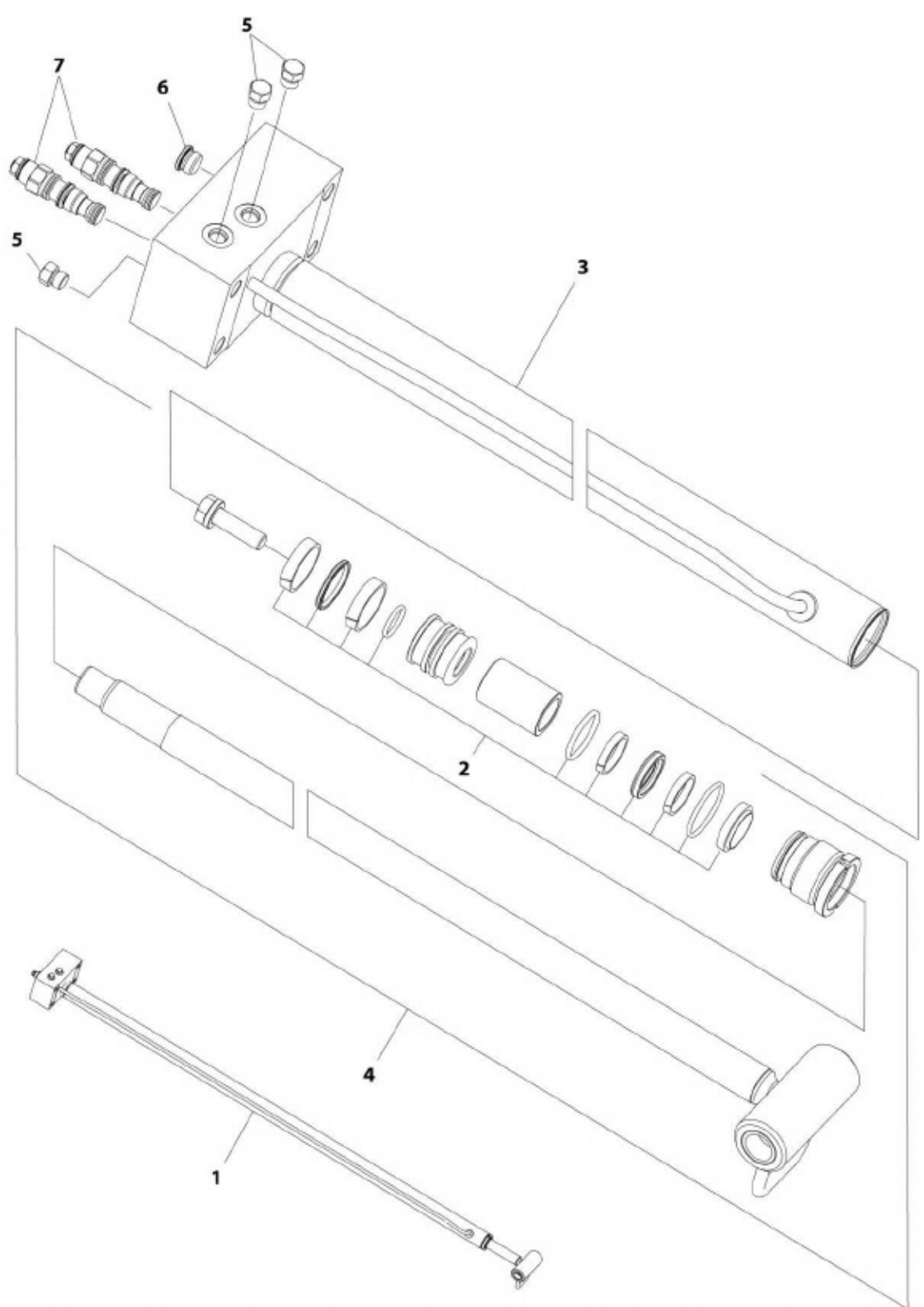
SECTION 6 - CYLINDER

FIGURE 6-9. TELESCOPE CYLINDER ASSEMBLY (USA BUILT MACHINES)

ITEM	PART NUMBER	QTY	DESCRIPTION	REV
	1001164523	Ref	TELESCOPE CYLINDER ASSEMBLY (USA BUILT MACHINES)	G
1	2220883	3	Plug #4	
2	3020043	AR	Lubricant	
3	0962185	1	Bushing, Tapered	
4	0630534	3	Capscrew 10 x 1	
5	1001164289	1	Barrel	
6	1001164295	1	Spacer	
7	1001164298	1	Head	
8	3480227	1	Piston	
9	1001164300	1	Rod	
9	0962292	2	Bushing	
10	2220885	3	Plug #6	
11	4640771	2	Cartridge, Valve	
11	2900770	2	Seal Kit - 4640771 Valve	
100	1001164297	1	Seal Kit - 1001164523 Cylinder (Includes Items 101-110)	
101	See Note	NSS	O-Ring (Note: Use Item 100)	
102	See Note	NSS	O-Ring (Note: Use Item 100)	
103	See Note	NSS	Ring, Back-up (Note: Use Item 100)	
104	See Note	NSS	Seal (Note: Use Item 100)	
105	See Note	NSS	O-Ring (Note: Use Item 100)	
106	See Note	NSS	Ring, Back-up (Note: Use Item 100)	
107	See Note	NSS	Wiper (Note: Use Item 100)	
108	See Note	NSS	Seal (Note: Use Item 100)	
109	See Note	NSS	Ring, Wear (Note: Use Item 100)	
110	See Note	NSS	Ring, Wear (Note: Use Item 100)	

SECTION 6 - CYLINDER

FIGURE 6-10. TELESCOPE CYLINDER ASSEMBLY (ROMANIAN BUILT MACHINES)



ART_1001161713

SECTION 6 - CYLINDER

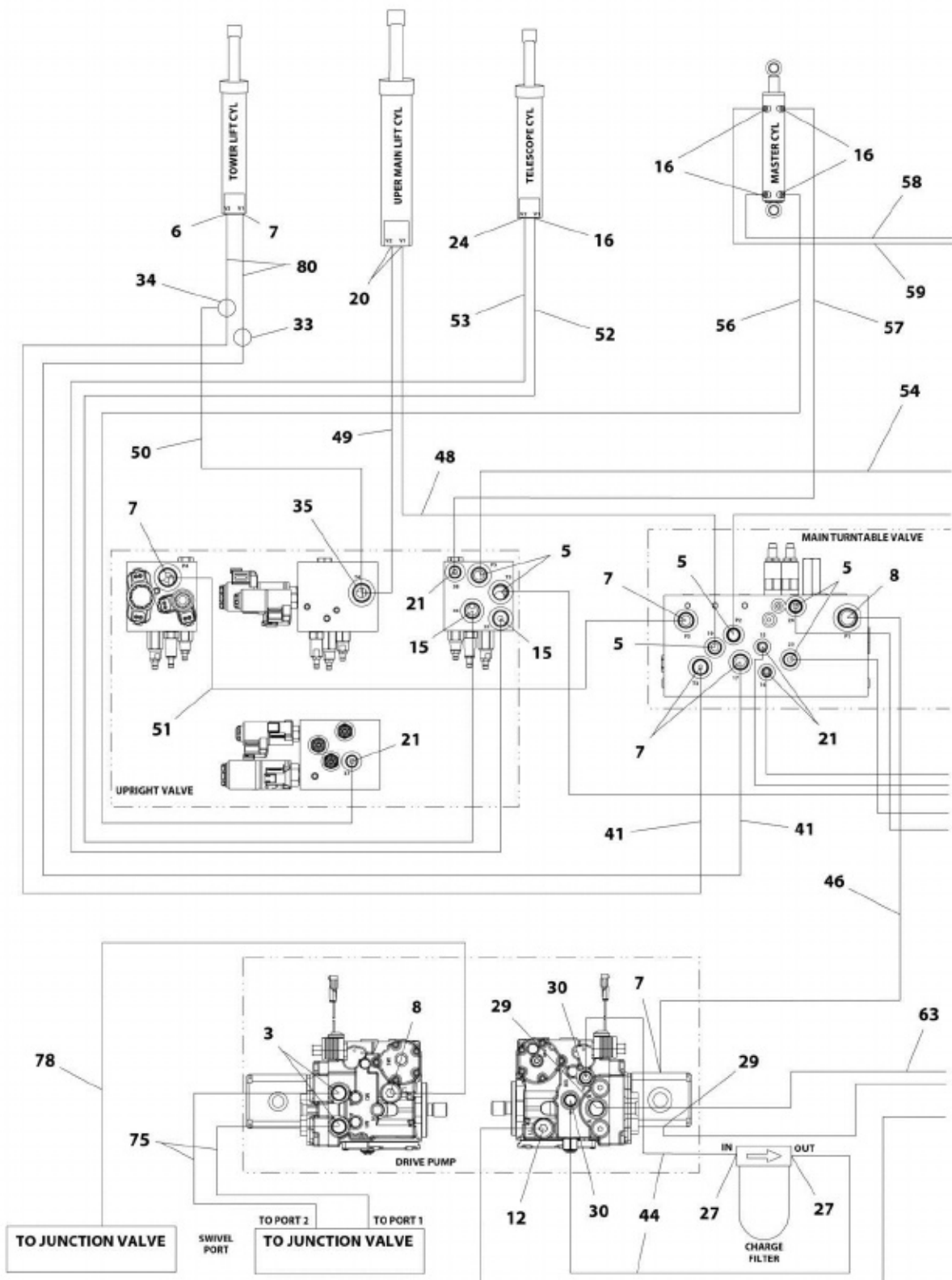
FIGURE 6-10. TELESCOPE CYLINDER ASSEMBLY (ROMANIAN BUILT MACHINES)

ITEM	PART NUMBER	QTY	DESCRIPTION	REV
1	1001161713	Ref	TELESCOPE CYLINDER ASSEMBLY (ROMANIAN BUILT MACHINES)	D
2	70004957	1	Seal Kit - 1001161713 Cylinder (Part of Item 4)	
3	70004956	1	Barrel	
4	70004955	1	Rod Assembly (Includes Seal Kit and Bushings)	
4	0962292	1	Bushing	
5	2220237	3	Plug #6	
6	2220886	1	Plug #8	
7	4640771	2	Cartridge, Valve	
7	2900770	2	Seal Kit - 4640771 Valve	

SECTION 7 - HYDRAULIC

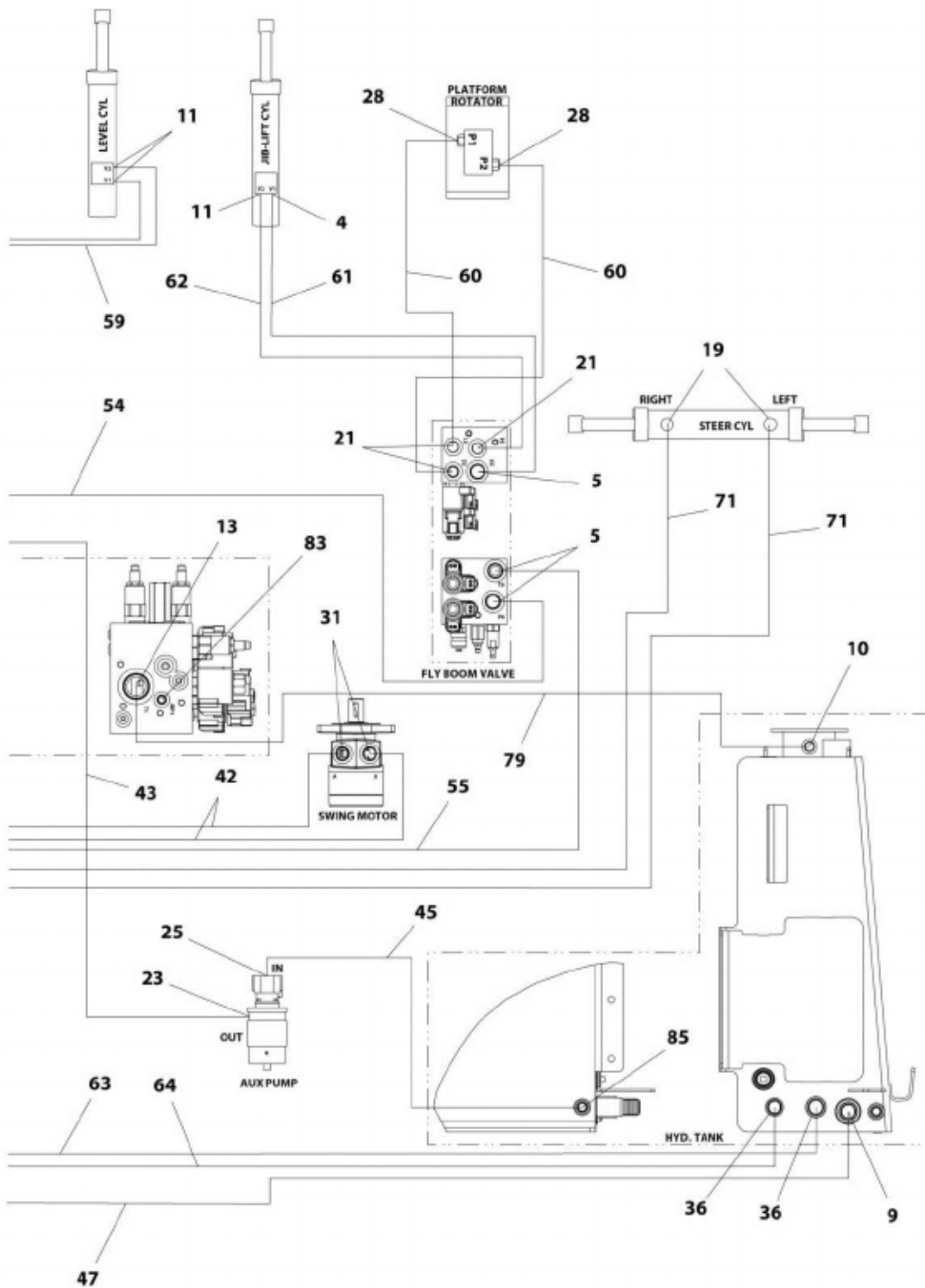
SECTION 7 - HYDRAULIC

FIGURE 7-1. HYDRAULIC SYSTEM INSTALLATION



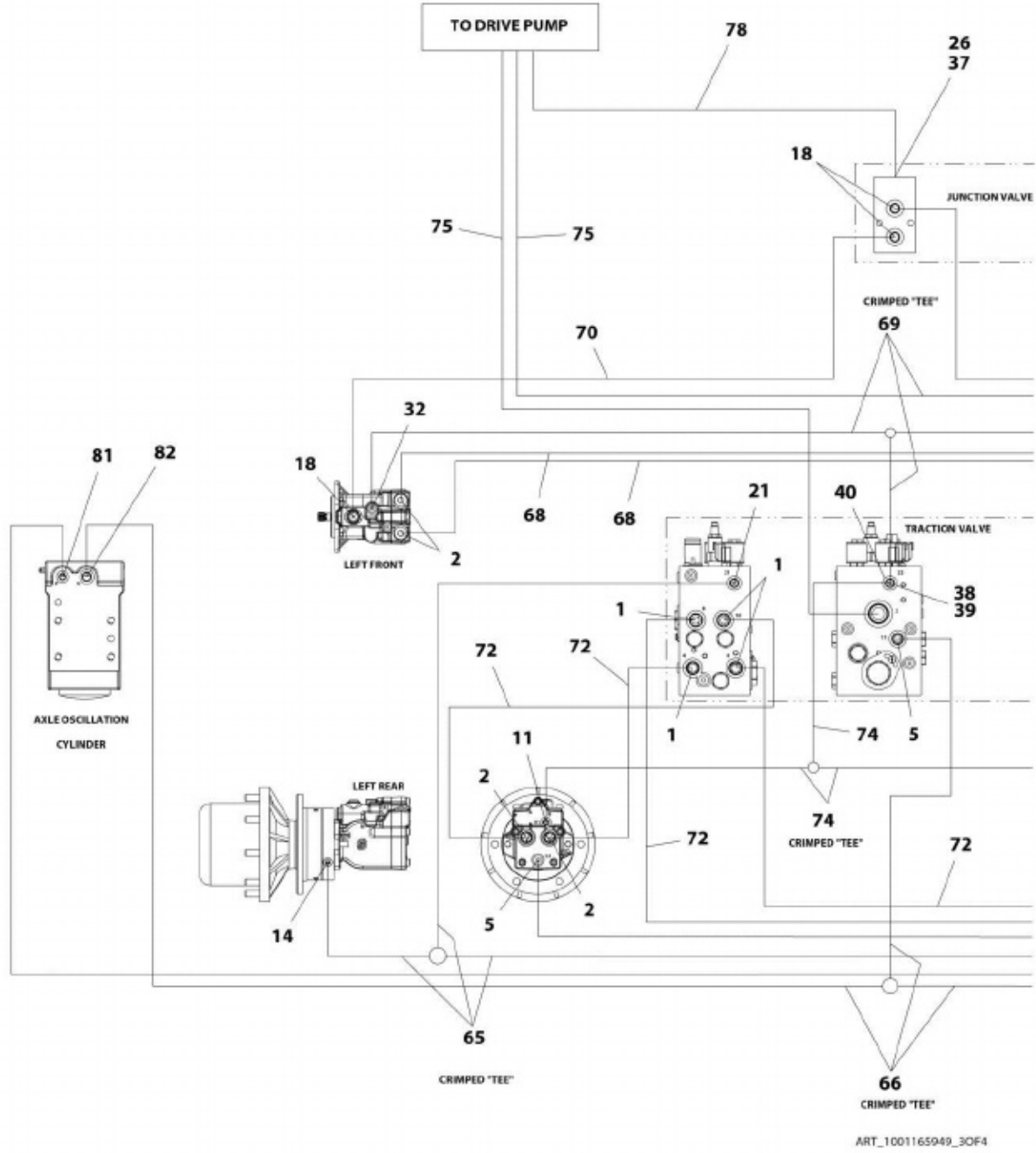
ART_1001165949_1OF4

SECTION 7 - HYDRAULIC

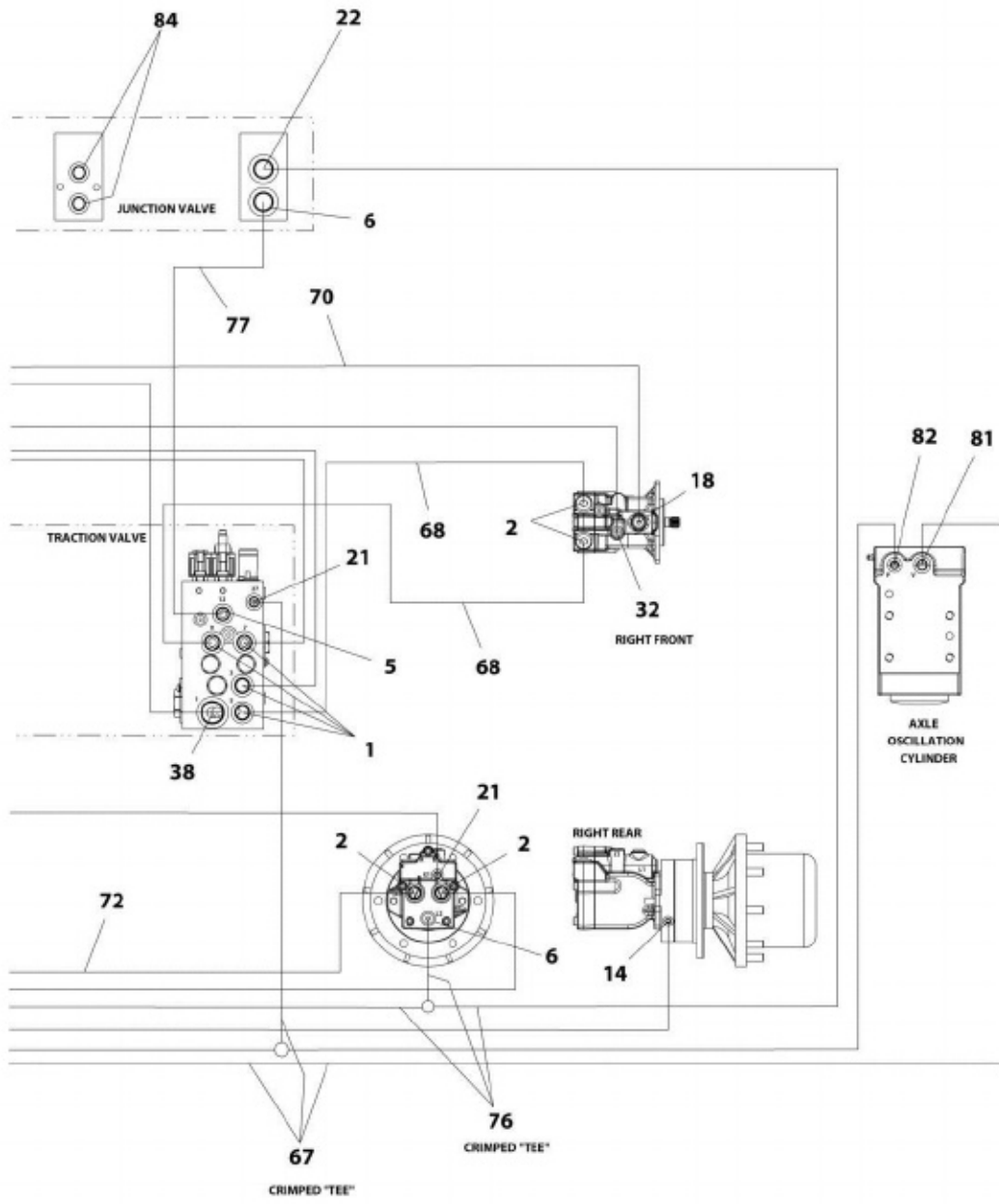


ART_1001165949_20F4

SECTION 7 - HYDRAULIC



ART_1001165949_30F4



ART_1001165949_4OF4

SECTION 7 - HYDRAULIC

FIGURE 7-1. HYDRAULIC SYSTEM INSTALLATION

ITEM	PART NUMBER	QTY	DESCRIPTION	REV
	1001165949	Ref	HYDRAULIC SYSTEM INSTALLATION	G
1	2110810	8	Fitting, Straight ORFS/ORB	
2	2110812	8	Fitting, Straight ORFS/ORB	
3	2151212	2	Fitting, 45 ORFS/ORB	
4	2220371	1	Fitting, Straight JIC/ORB	
5	2220372	11	Fitting, Straight JIC/ORB	
6	2220373	5	Fitting, Straight JIC/ORB	
7	2220374	6	Fitting, Straight JIC/ORB	
8	2220375	2	Fitting, Straight JIC/ORB	
9	2220377	1	Fitting, Straight JIC/ORB	
10	2220408	1	Fitting, Straight JIC/ORB	
11	2220415	5	Fitting, Straight JIC/ORB	
12	2220451	1	Fitting, Straight JIC/ORB	
13	2220465	1	Fitting, 90 JIC/ORB	
14	2220466	2	Fitting, 90 JIC/ORB	
15	2220468	2	Fitting, Straight JIC/ORB	
16	2220472	5	Fitting, 90 JIC/ORB	
18	2220500	4	Fitting, 45 JIC/ORB	
19	2220501	2	Fitting, 45 JIC/ORB	
20	2220577	2	Fitting, Straight JIC/ORB	
21	2220582	11	Fitting, Straight JIC/ORB	
22	2220596	1	Fitting, 90 JIC/ORB	
23	2220603	1	Fitting, Straight JIC/ORB	
24	2220628	1	Fitting, 90 JIC/ORB	
25	2220726	1	Fitting, 90 JIC/ORB	
26	2220811	1	Fitting, Straight FORB/ORB	
27	2220906	2	Fitting, 90 JIC/ORB	
28	2220940	2	Fitting, Elbow	
29	2220946	2	Fitting, Straight JIC/ORB	
30	2220947	2	Fitting, Straight JIC/ORB	
31	2221033	2	Fitting, Straight JIC/ORB	
32	2221040	2	Fitting, 45 JIC/ORB	
33	2230025	1	Fitting, Straight JIC/JIC	
34	8760477	1	Fitting, Tee JIC/JIC/JIC	
35	8770289	1	Fitting, Tee JIC/ORB/JIC	
36	80633030	2	Clamp, Hose	
37	1001119627	1	Fitting, Straight JIC/ORB	
38	1001142679	2	Fitting, Straight ORFS/ORB	
39	1001143936	1	Fitting, 90 FORB/ORB	
40	1001175024	1	Fitting, Tee JIC/JIC/ORB	
41	1001173006	2	Hose	
42	1001173027	2	Hose	
43	1001173028	1	Hose	
44	1001173029	2	Hose	
45	1001173030	1	Hose	
46	1001173031	1	Hose	
47	1001173032	1	Hose	
48	1001173034	1	Hose	
49	1001173035	1	Hose	
50	1001173036	1	Hose	

SECTION 7 - HYDRAULIC

ITEM	PART NUMBER	QTY	DESCRIPTION	REV
51	1001173037	1	Hose	
52	1001173038	1	Hose	
53	1001173039	1	Hose	
54	1001173040	1	Hose	
55	1001173041	1	Hose	
56	1001173042	1	Hose	
57	1001173043	1	Hose	
58	1001173044	1	Hose	
59	1001173045	1	Hose	
60	1001173046	2	Hose	
61	1001173048	1	Hose	
62	1001173049	1	Hose	
63	1001173050	1	Hose	
64	1001173051	1	Hose	
65	1001173052	1	Hose	
66	1001173053	1	Hose	
67	1001173054	1	Hose	
68	1001173055	4	Hose	
69	1001173056	1	Hose	
70	1001173057	2	Hose	
71	1001173058	2	Hose	
72	1001173059	4	Hose	
74	1001173061	1	Hose	
75	1001173062	2	Hose	
76	1001173063	1	Hose	
77	1001197039	1	Hose	
78	1001173066	1	Hose	
79	1001173631	1	Tube Assembly	
80	1001180035	2	Hose	
81	2220923	2	Fitting, Straight JIC/ORB	
82	2220998	2	Fitting, Straight JIC/ORB	
83	2221086	1	Fitting, Diagnostic	
84	2220883	2	Plug #4	
85	8765204	1	Fitting, 90 JIC/FSJIC	

SECTION 7 - HYDRAULIC

FIGURE 7-2. HYDRAULIC DIAGRAM LIST

ITEM	PART NUMBER	QTY	DESCRIPTION	REV
		Ref	HYDRAULIC DIAGRAM LIST	
	1001165949	Ref	HYDRAULIC SYSTEM INSTALLATION	G
	1001175260	Ref	HYDRAULIC SCHEMATIC (Not Shown - See Service Manual)	A

SECTION 8 - ELECTRICAL

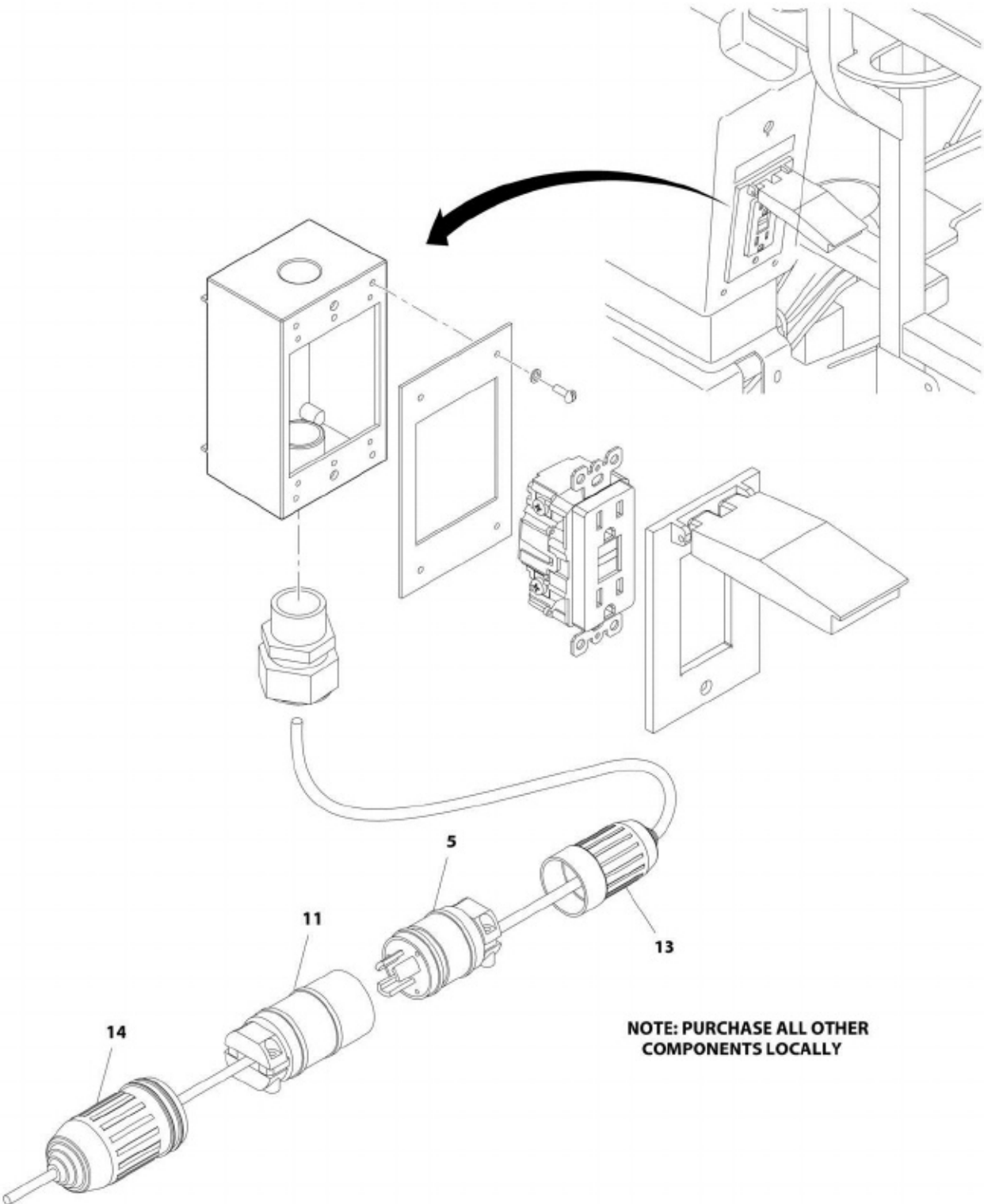
SECTION 8 - ELECTRICAL

FIGURE 8-1. ELECTRICAL DIAGRAM LIST

ITEM	PART NUMBER	QTY	DESCRIPTION	REV
		Ref	Note: Diagrams not shown are available from the JLG Service Department. Schematics shown in the Service and Maintenance Manual.	
	1001157930	Ref	ELECTRICAL DIAGRAM LIST	
		Ref	Electrical Schematic - 450AJ	
	1001175632	Ref	Generator Electrical Diagram - 4000W Generator - 50Hz (ANSI Export and CE Specs)	
	1001175634	Ref	Generator Electrical Diagram - 4000W Generator - 50Hz (Australian Specs)	
	1001175633	Ref	Generator Electrical Diagram - 4000W Generator - 50Hz (UK Specs)	
	1001175631	Ref	Generator Electrical Diagram - 4000W Generator - 60Hz (ANSI, ANSI Export and CSA Specs)	
	1001174675	Ref	Generator Electrical Diagram - 7500W SkyPower Generator	
	4933218	Ref	Soft Touch Electrical Diagram (Prior to SN 0300211835, Prior to SN E30002974)	

SECTION 8 - ELECTRICAL

FIGURE 8-2. AC BOX AT PLATFORM - LOCALLY SUPPLIED COMPONENTS FOR ANSI EXPORT, AUSTRALIAN AND CE SPECS



NOTE: PURCHASE ALL OTHER COMPONENTS LOCALLY

AFT_0258304

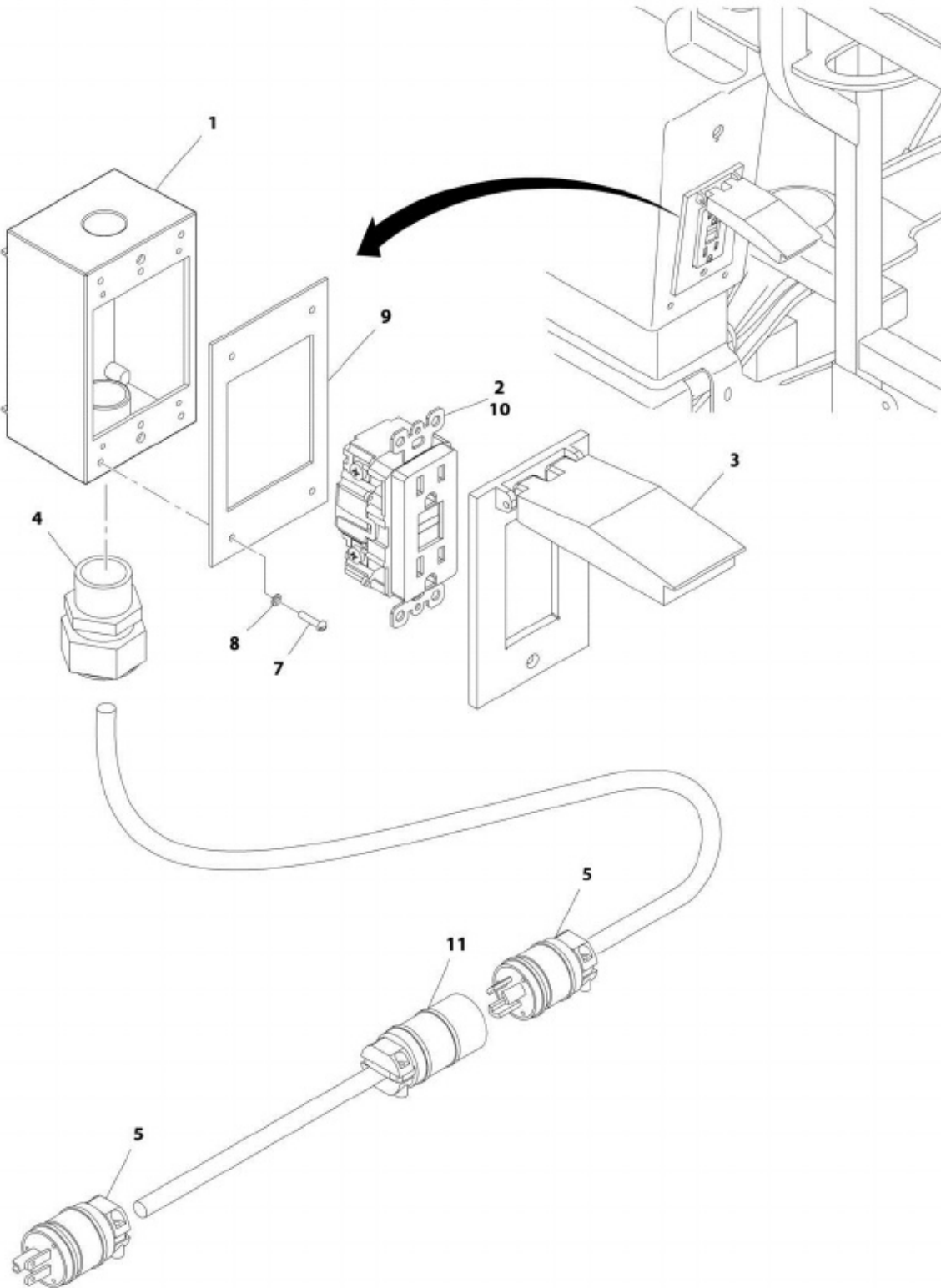
SECTION 8 - ELECTRICAL

FIGURE 8-2. AC BOX AT PLATFORM - LOCALLY SUPPLIED COMPONENTS FOR ANSI EXPORT, AUSTRALIAN AND CE SPECS

ITEM	PART NUMBER	QTY	DESCRIPTION	REV
	0258304	Ref	AC BOX AT PLATFORM - LOCALLY SUPPLIED COMPONENTS FOR ANSI EXPORT, AUSTRALIAN AND CE SPECS	C
5	4460709	1	Plug	
11	4460710	1	Receptacle	
13	1001156351	1	Cover, Female Connector	
14	1001156352	1	Cover, Male Connector	

SECTION 8 - ELECTRICAL

FIGURE 8-3. AC BOX AT PLATFORM INSTALLATION - 110V - ANSI, ANSI EXPORT AND CSA SPECS



AFT_0258303

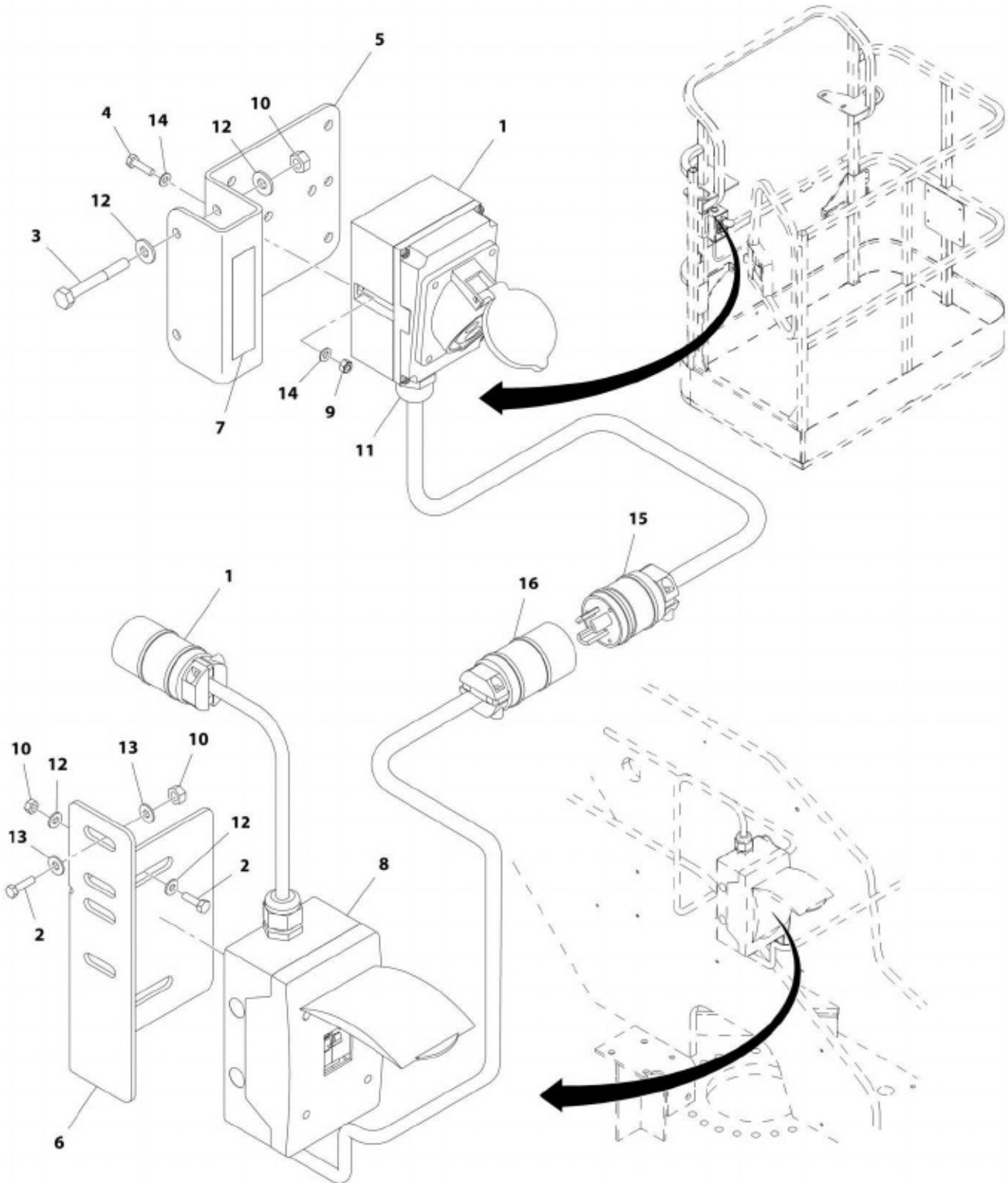
SECTION 8 - ELECTRICAL

FIGURE 8-3. AC BOX AT PLATFORM INSTALLATION - 110V - ANSI, ANSI EXPORT AND CSA SPECS

ITEM	PART NUMBER	QTY	DESCRIPTION	REV
	0258303	Ref	AC BOX AT PLATFORM INSTALLATION - 110V - ANSI, ANSI EXPORT AND CSA SPECS	6
1	0860038	1	Box, Switch	
2	4460346	1	Receptacle	
3	1001110873	1	Shield, Cover	
4	4460071	1	Connector, Strain Relief	
5	4460205	1	Plug, Male	
7	3910610	4	Screw #6 x 5/8	
8	4760600	4	Washer #6	
9	3960422	1	Gasket	
10	4460315	3	Terminal, Spade	
11	4460134	1	Receptacle, Female	

SECTION 8 - ELECTRICAL

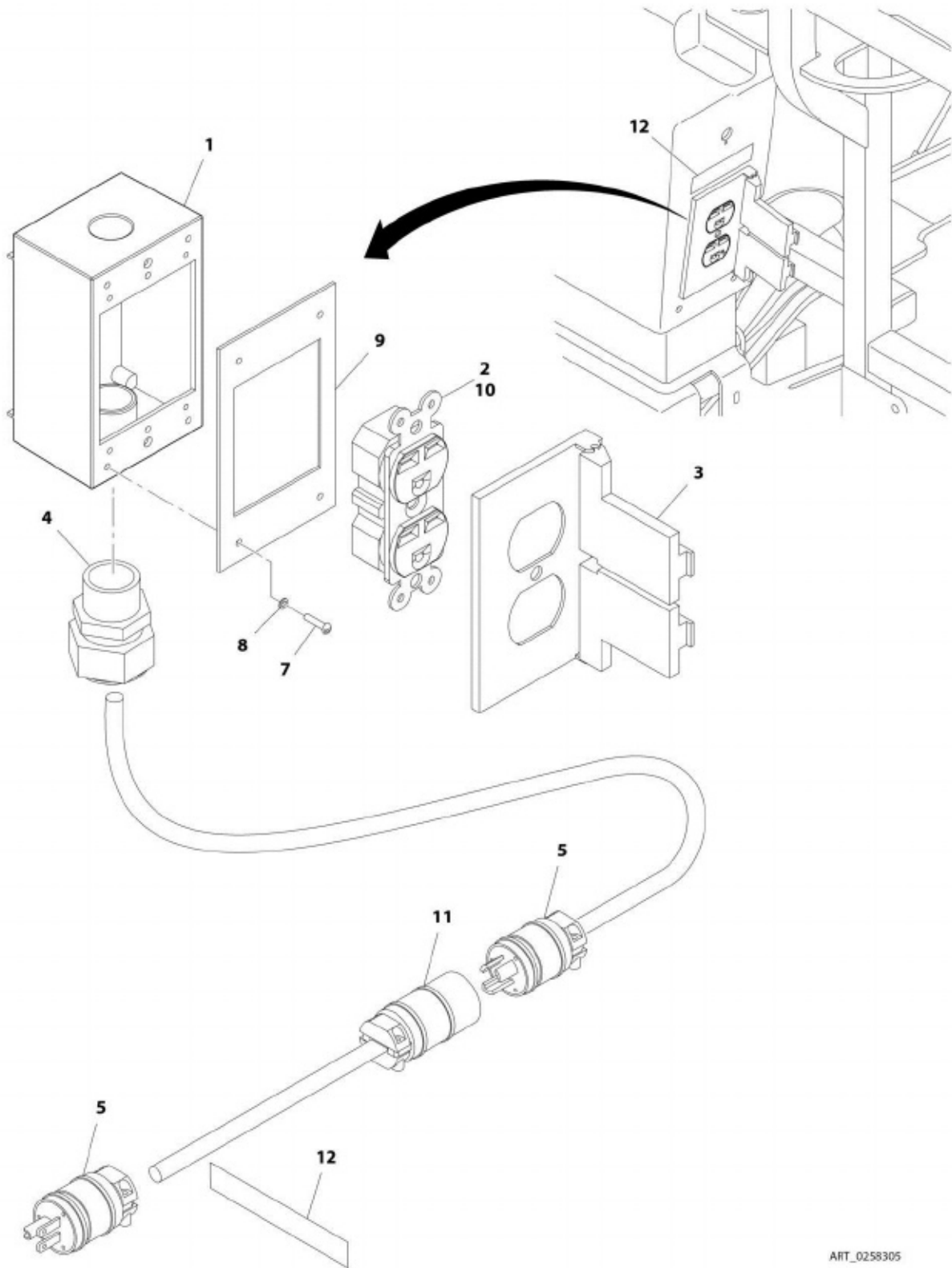
FIGURE 8-4. AC BOX AT PLATFORM INSTALLATION - 110V IEC YELLOW (CE SPEC)



ART_0275681

SECTION 8 - ELECTRICAL


FIGURE 8-5. AC BOX AT PLATFORM INSTALLATION - 220V - ANSI, ANSI EXPORT AND CSA SPECS



AFT_0258305

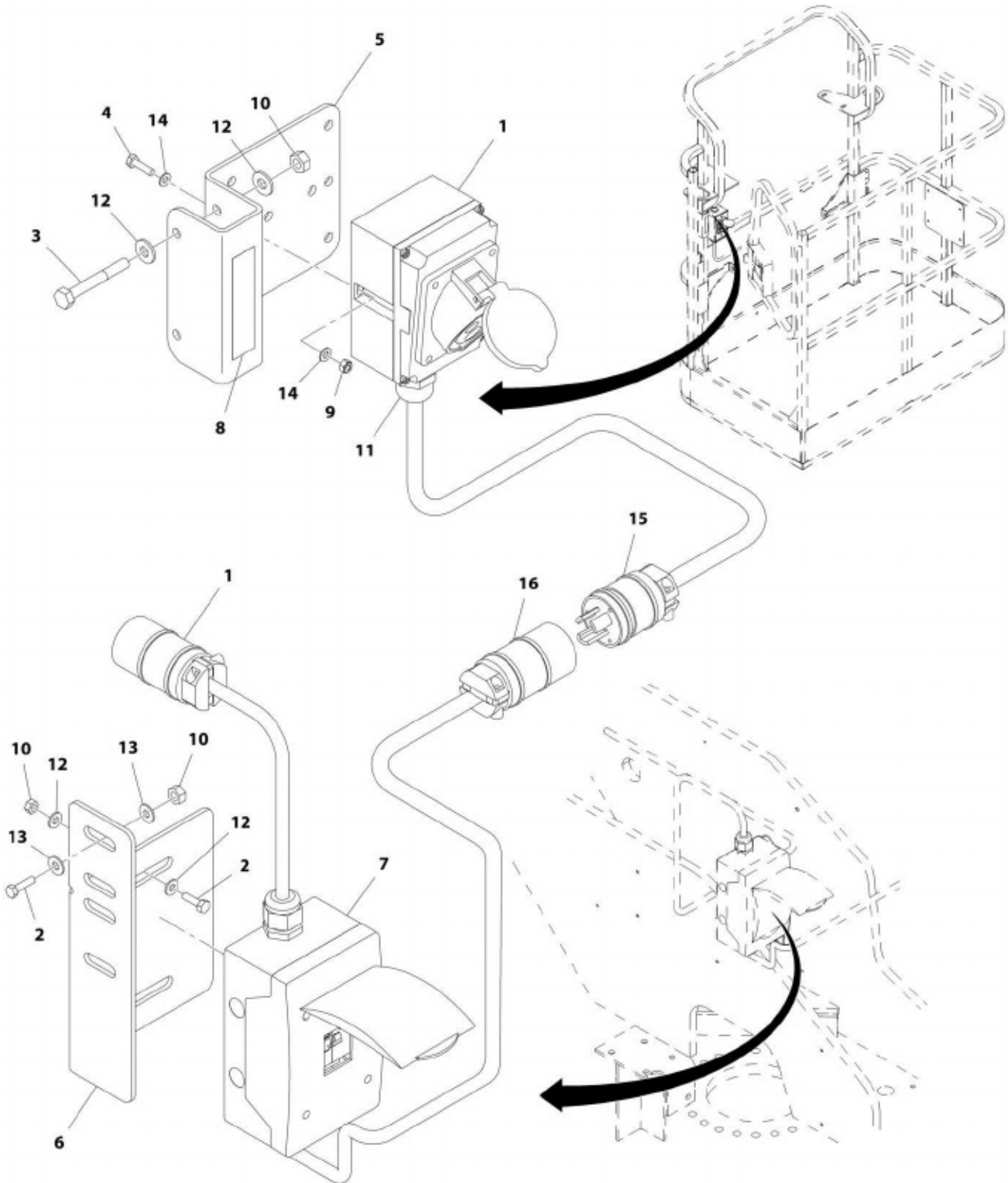
SECTION 8 - ELECTRICAL

FIGURE 8-5. AC BOX AT PLATFORM INSTALLATION - 220V - ANSI, ANSI EXPORT AND CSA SPECS

 ITEM	PART NUMBER	QTY	DESCRIPTION	REV
	0258305	Ref	AC BOX AT PLATFORM INSTALLATION - 220V - ANSI, ANSI EXPORT AND CSA SPECS	B
1	0860038	1	Box, Switch	
2	4460125	1	Receptacle	
3	4060092	1	Shield	
4	4460071	1	Connector, Strain Relief	
5	4460233	2	Plug, Male	
7	3910610	4	Screw #6 x 5/8	
8	4760600	4	Washer #6	
9	3960422	1	Gasket	
10	4460315	1	Terminal, Spade	
11	4460701	1	Receptacle, Female	
12	3252507	2	Decal - Voltage	

SECTION 8 - ELECTRICAL

FIGURE 8-6. AC BOX AT PLATFORM INSTALLATION - 220V IEC BLUE (CE SPEC)



ART_0275682

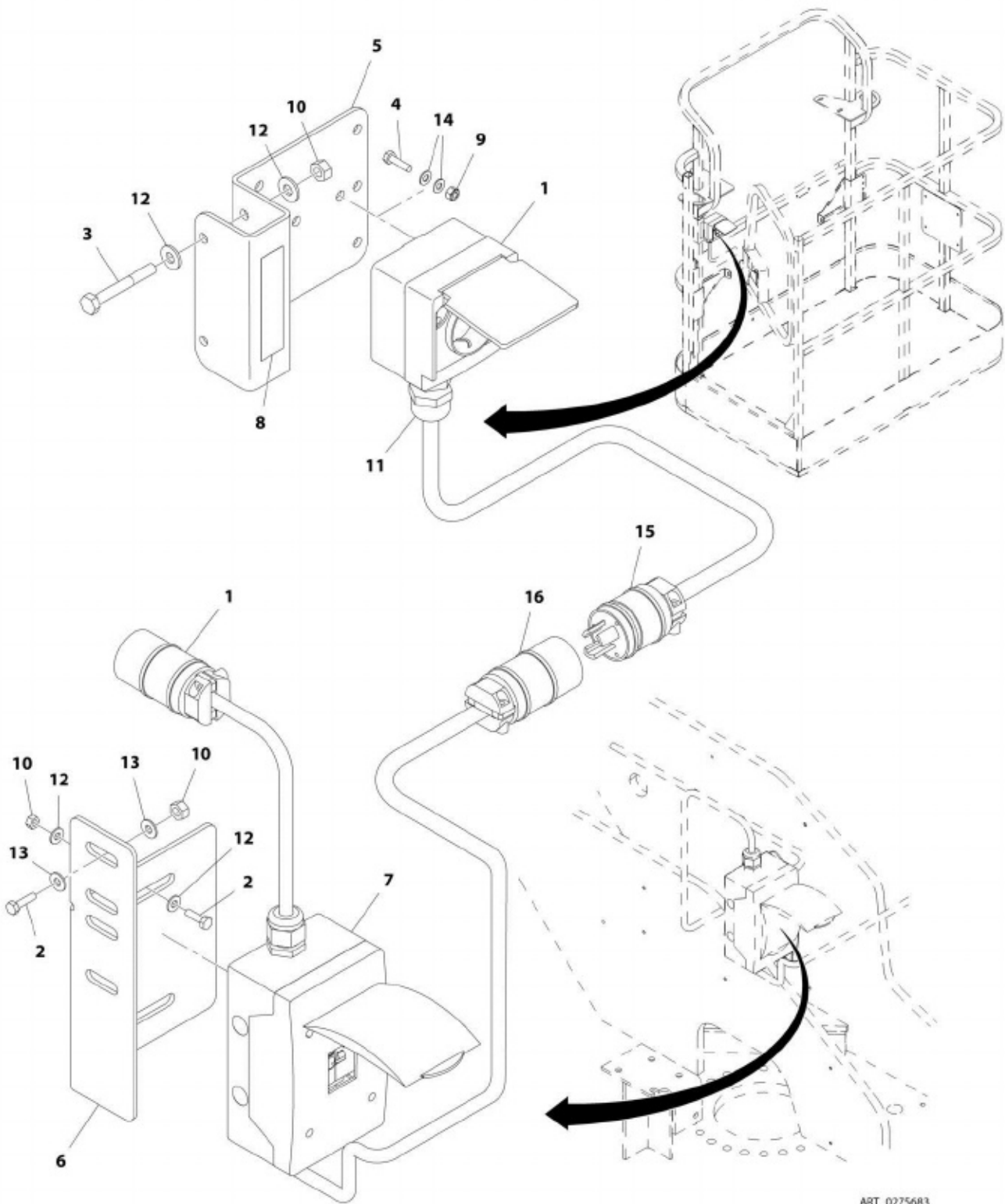
SECTION 8 - ELECTRICAL

FIGURE 8-6. AC BOX AT PLATFORM INSTALLATION - 220V IEC BLUE (CE SPEC)

ITEM	PART NUMBER	QTY	DESCRIPTION	REV
	0275682	Ref	AC BOX AT PLATFORM INSTALLATION - 220V IEC BLUE (CE SPEC)	B
		Ref	Note: For Machines equipped with 4000W Generator, see SPECIAL OPTIONS SECTION.	
1	0275217	1	Receptacle Box Kit (See RECEPTACLE BOX KIT - 220V IEC BLUE (CE SPEC) for Breakdown)	
2	0641407	4	Bolt, 1/4 x 7/8	
3	0641416	2	Bolt, 1/4 x 2	
4	0700408	2	Bolt, M4 x 16	
5	0903484	1	Bracket	
6	0903612	1	Bracket	
7	3252507	2	Decal - Voltage	
8	2902549	1	Breaker Box Kit - CE Spec (See BREAKER BOX KIT WITH TWO BREAKERS - CE SPEC for Breakdown)	
9	3290405	2	Nut M4	
10	3311405	6	Nut 1/4	
11	4460968	1	Connector, Strain Relief	
12	4711400	8	Washer 1/4	
13	4751400	4	Washer 1/4	
14	4811400	4	Washer M4	
15	4460709	1	Plug, Male	
16	4460710	1	Receptacle, Female	

SECTION 8 - ELECTRICAL

FIGURE 8-7. AC BOX AT PLATFORM INSTALLATION - 220V CEE7 POST GROUND WITH 70MM X 70MM BOX (CE SPEC) (Prior to SN 0300210159, Prior to SN E300002764)



ART_0275683

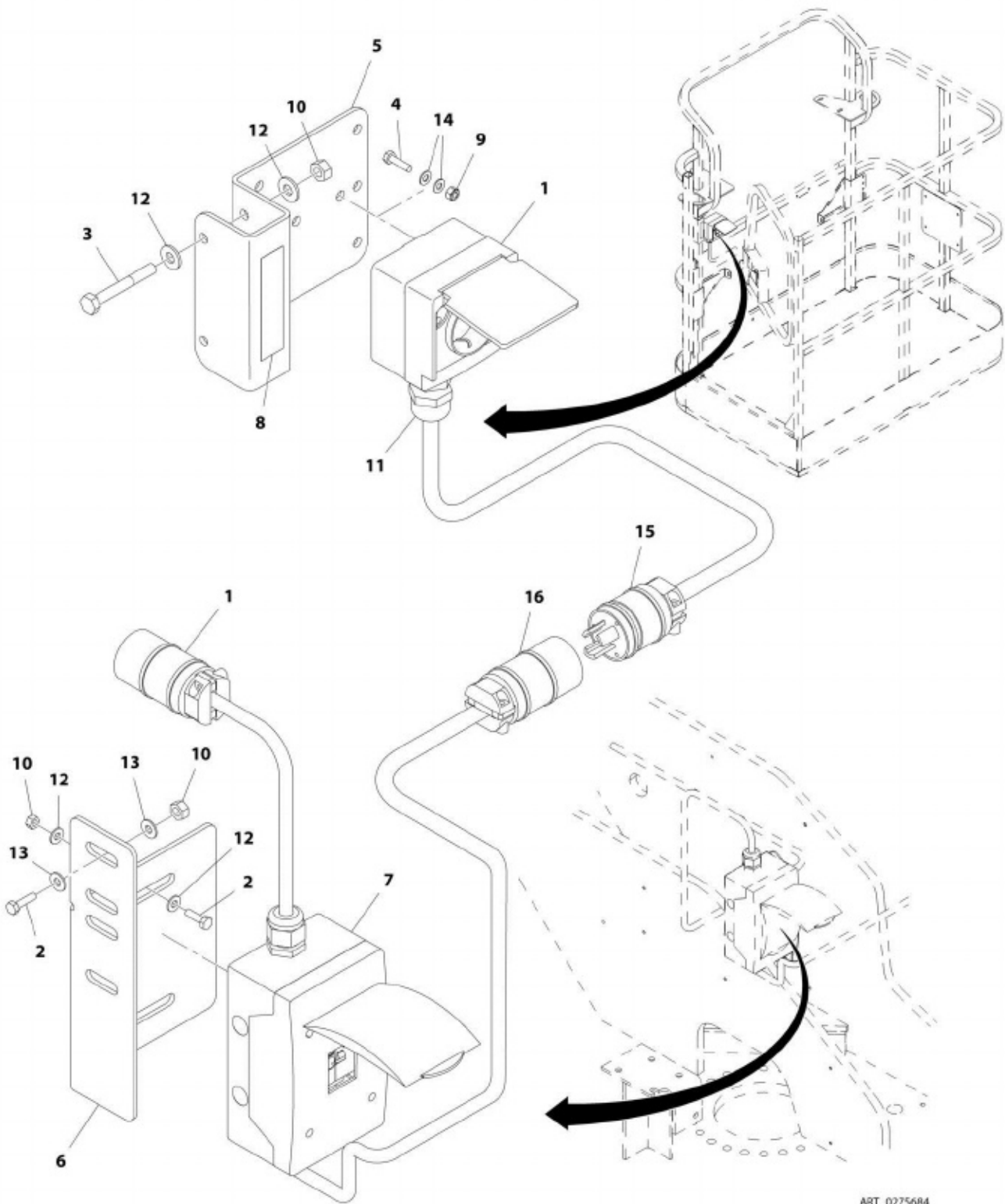
SECTION 8 - ELECTRICAL

FIGURE 8-7. AC BOX AT PLATFORM INSTALLATION - 220V CEE7 POST GROUND WITH 70MM X 70MM BOX (CE SPEC) (Prior to SN 0300210159, Prior to SN E300002764)

ITEM	PART NUMBER	QTY	DESCRIPTION	REV
	0275683	Ref	AC BOX AT PLATFORM INSTALLATION - 220V CEE7 POST GROUND WITH 70MM X 70MM BOX (CE SPEC) (Prior to SN 0300210159, Prior to SN E300002764)	B
		Ref	Note: For Machines equipped with 4000W Generator, see SPECIAL OPTIONS SECTION.	
1	0275218	1	Receptacle Box Kit (See RECEPTACLE BOX KIT- 220V CEE7 POST GROUND WITH 70MM X 70MM BOX (CE SPEC) for Breakdown)	
2	0641407	4	Bolt, 1/4 x 7/8	
3	0641416	2	Bolt, 1/4 x 2	
4	0700408	2	Bolt, M4 x 16	
5	0903484	1	Bracket	
6	0903612	1	Bracket	
7	2902549	1	Breaker Box Kit - CE Spec (See BREAKER BOX KIT WITH TWO BREAKERS - CE SPEC for Breakdown)	
8	3252507	2	Decal - Voltage	
9	3290405	2	Nut M4	
10	3311405	6	Nut 1/4	
11	4460968	1	Connector, Strain Relief	
12	4711400	8	Washer 1/4	
13	4751400	4	Washer 1/4	
14	4811400	4	Washer M4	
15	4460709	1	Plug, Male	
16	4460710	1	Receptacle, Female	

SECTION 8 - ELECTRICAL

FIGURE 8-8. AC BOX AT PLATFORM INSTALLATION - 220V CEE7 SIDE GROUND WITH 70MM X 70MM BOX (CE SPEC) (Prior to SN 0300210159, Prior to SN E300002764)



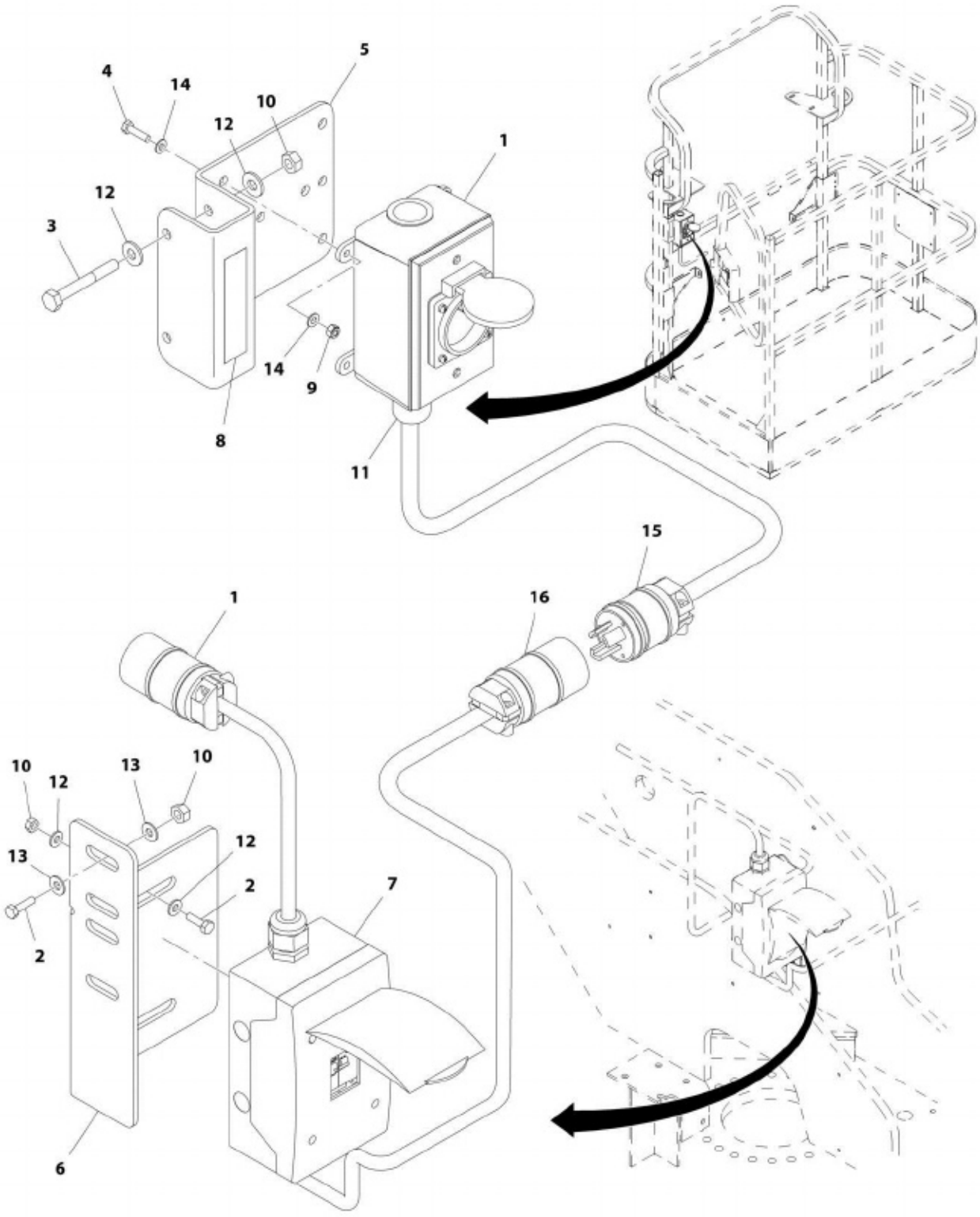
SECTION 8 - ELECTRICAL

FIGURE 8-8. AC BOX AT PLATFORM INSTALLATION - 220V CEE7 SIDE GROUND WITH 70MM X 70MM BOX (CE SPEC) (Prior to SN 0300210159, Prior to SN E300002764)

ITEM	PART NUMBER	QTY	DESCRIPTION	REV
	0275684	Ref	AC BOX AT PLATFORM INSTALLATION - 220V CEE7 SIDE GROUND WITH 70MM X 70MM BOX (CE SPEC) (Prior to SN 0300210159, Prior to SN E300002764)	B
		Ref	Note: For Machines equipped with 4000W Generator, see SPECIAL OPTIONS SECTION.	
1	0275219	1	Receptacle Box Kit (See RECEPTACLE BOX KIT- 220V CEE7 SIDE GROUND WITH 70MM X 70MM BOX (CE SPEC) for Breakdown)	
2	0641407	4	Bolt, 1/4 x 7/8	
3	0641416	2	Bolt, 1/4 x 2	
4	0700408	2	Bolt, M4 x 16	
5	0903484	1	Bracket	
6	0903612	1	Bracket	
7	2902549	1	Breaker Box Kit - CE Spec (See BREAKER BOX KIT WITH TWO BREAKERS - CE SPEC for Breakdown)	
8	3252507	2	Decal - Voltage	
9	3290405	2	Nut M4	
10	3311405	6	Nut 1/4	
11	4460968	1	Connector, Strain Relief	
12	4711400	8	Washer 1/4	
13	4751400	4	Washer 1/4	
14	4811400	4	Washer M4	
15	4460709	1	Plug, Male	
16	4460710	1	Receptacle, Female	

SECTION 8 - ELECTRICAL

FIGURE 8-9. AC BOX AT PLATFORM INSTALLATION - 220V CEE7 POST GROUND WITH 2IN X 4IN BOX (CE SPEC) (Prior to SN 0300210159, Prior to SN E300002764)



ART_0275679

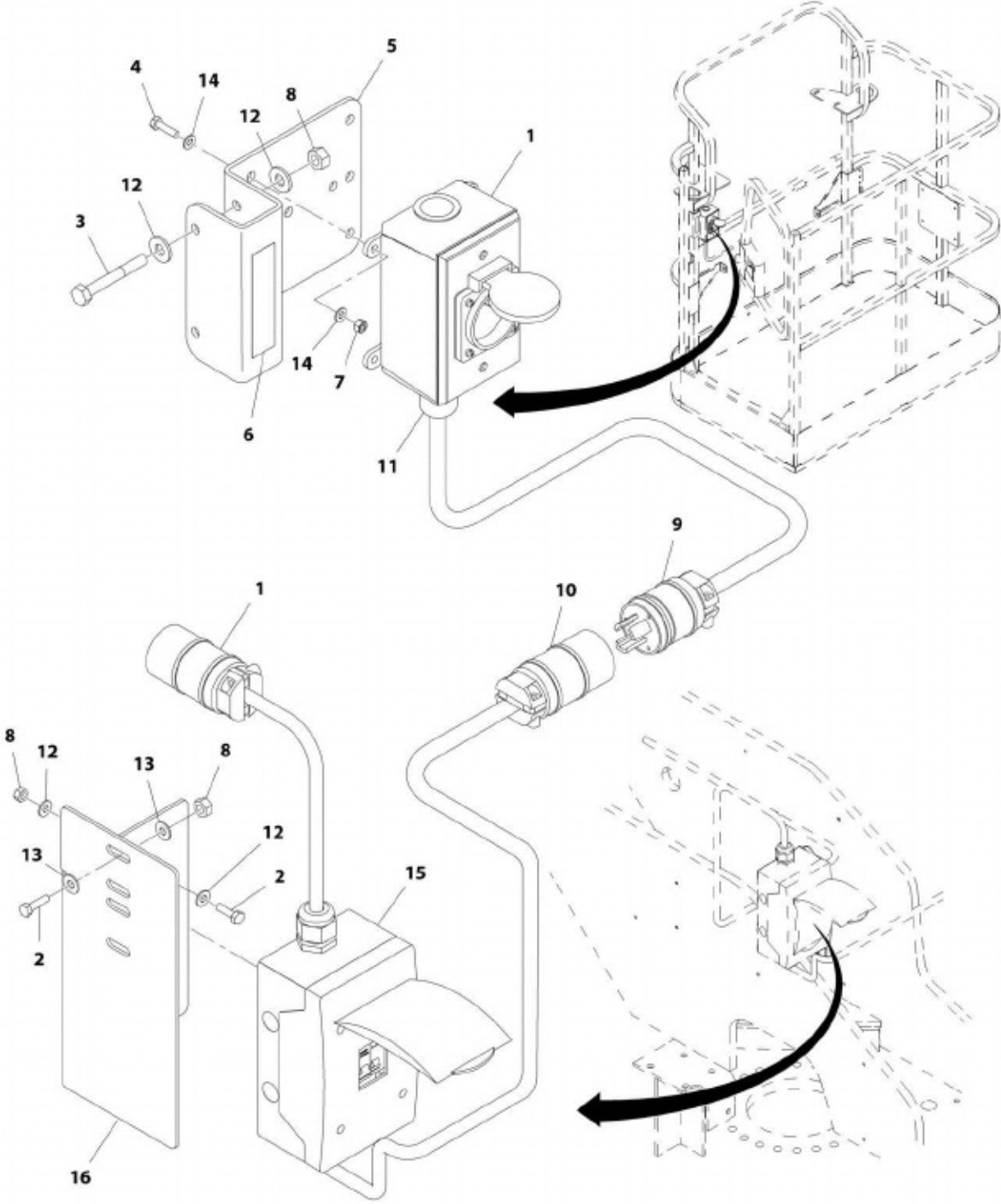
SECTION 8 - ELECTRICAL

FIGURE 8-9. AC BOX AT PLATFORM INSTALLATION - 220V CEE7 POST GROUND WITH 2IN X 4IN BOX (CE SPEC) (Prior to SN 0300210159, Prior to SN E300002764)

ITEM	PART NUMBER	QTY	DESCRIPTION	REV
	0275679	Ref	AC BOX AT PLATFORM INSTALLATION - 220V CEE7 POST GROUND WITH 2IN X 4IN BOX (CE SPEC) (Prior to SN 0300210159, Prior to SN E300002764)	C
		Ref	Note: For Machines equipped with 4000W Generator, see SPECIAL OPTIONS SECTION.	
1	0275453	1	Receptacle Box Kit (See RECEPTACLE BOX KIT- 220V CEE7 POST GROUND WITH 2INX 4IN BOX (CE SPEC) for Breakdown)	
2	0641407	4	Bolt, 1/4 x 7/8	
3	0641416	2	Bolt, 1/4 x 2	
4	0700408	2	Bolt, M4 x 16	
5	0903484	1	Bracket	
6	0903612	1	Bracket	
7	2902549	1	Breaker Box Kit - CE Spec (See BREAKER BOX KIT WITH TWO BREAKERS - CE SPEC for Breakdown)	
8	3252507	2	Decal - Voltage	
9	3290405	2	Nut M4	
10	3311405	6	Nut 1/4	
11	4460968	1	Connector, Strain Relief	
12	4711400	8	Washer 1/4	
13	4751400	4	Washer 1/4	
14	4811400	4	Washer M4	
15	4460709	1	Plug, Male	
16	4460710	1	Receptacle, Female	

SECTION 8 - ELECTRICAL

FIGURE 8-10. AC BOX AT PLATFORM INSTALLATION - 220V CEE7 POST GROUND WITH 2IN X 4IN BOX (CE SPEC) (SN 0300210159 to Present, SN E300002764 to Present)



ART_1001162448

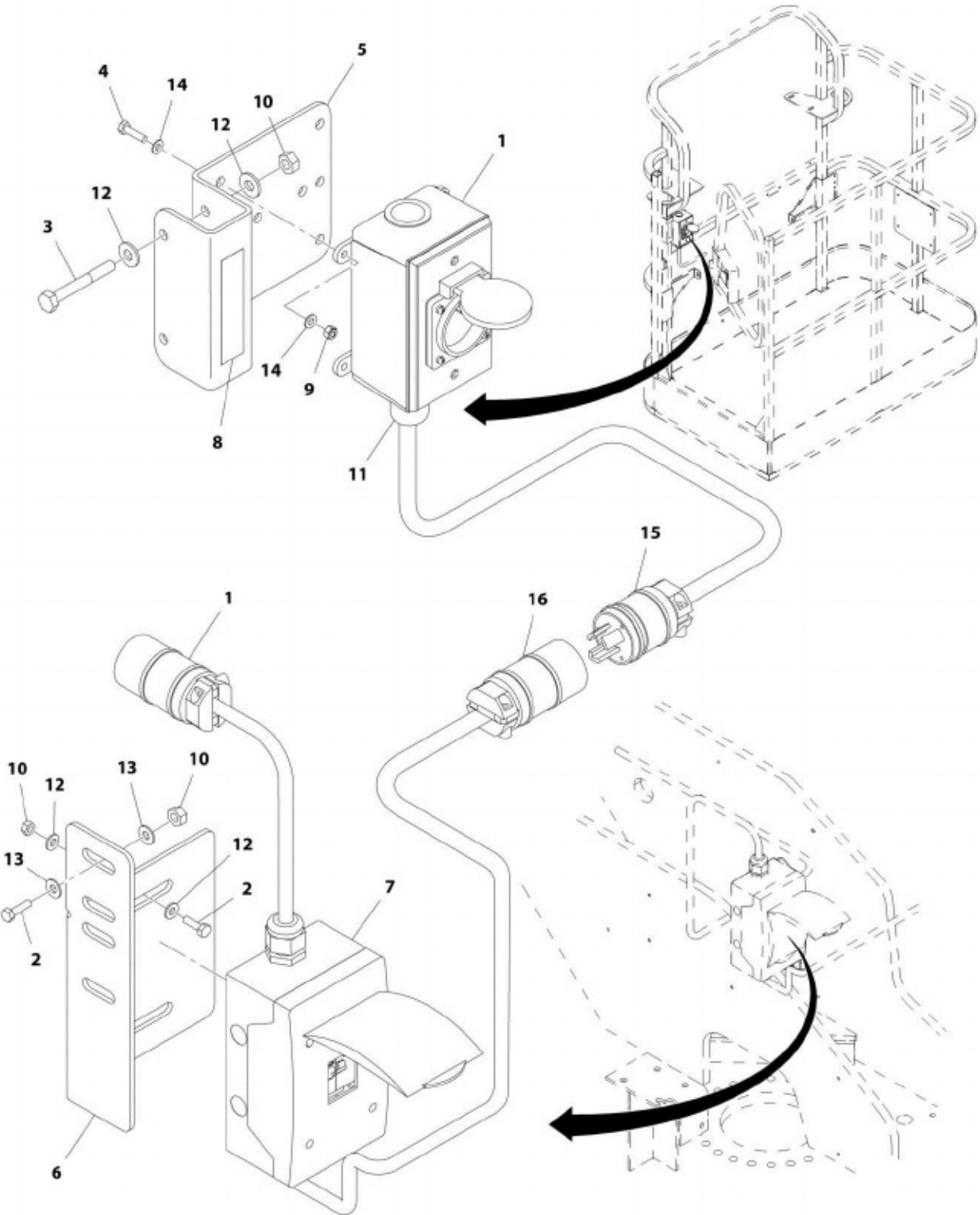
SECTION 8 - ELECTRICAL

FIGURE 8-10. AC BOX AT PLATFORM INSTALLATION - 220V CEE7 POST GROUND WITH 2IN X 4IN BOX (CE SPEC) (SN 0300210159 to Present, SN E300002764 to Present)

ITEM	PART NUMBER	QTY	DESCRIPTION	REV
	1001162448	Ref	AC BOX AT PLATFORM INSTALLATION - 220V CEE7 POST GROUND WITH 2IN X 4IN BOX (CE SPEC) (SN 0300210159 to Present, SN E300002764 to Present)	A
		Ref	Note: For Machines equipped with 4000W Generator, see SPECIAL OPTIONS SECTION.	
1	0275452	1	Receptacle Box Kit (See RECEPTACLE BOX KIT- 220V CEE7 POST GROUND WITH 2INX 4IN BOX (CE SPEC) for Breakdown)	
2	0641407	4	Bolt, 1/4 x 7/8	
3	0641416	2	Bolt, 1/4 x 2	
4	0700408	4	Bolt, M4 x 16	
5	0903484	1	Bracket	
6	3252507	2	Decal - Voltage	
7	3290405	4	Nut M4	
8	3311405	6	Nut 1/4	
9	4460709	1	Plug, Male	
10	4460710	1	Receptacle, Female	
11	4460968	1	Connector, Strain Relief	
12	4711400	8	Washer 1/4	
13	4751400	4	Washer 1/4	
14	4811400	8	Washer M4	
15	1001152485	1	Breaker Box Kit - CE Spec (See BREAKER BOX KIT WITH THREE BREAKERS - CE SPEC for Breakdown)	
16	1001162445	1	Bracket	

SECTION 8 - ELECTRICAL

FIGURE 8-11. AC BOX AT PLATFORM INSTALLATION - 220V CEE7 SIDE GROUND WITH 2IN X 4IN BOX (CE SPEC) (Prior to SN 0300210159, Prior to SN E300002764)



ART_0275678

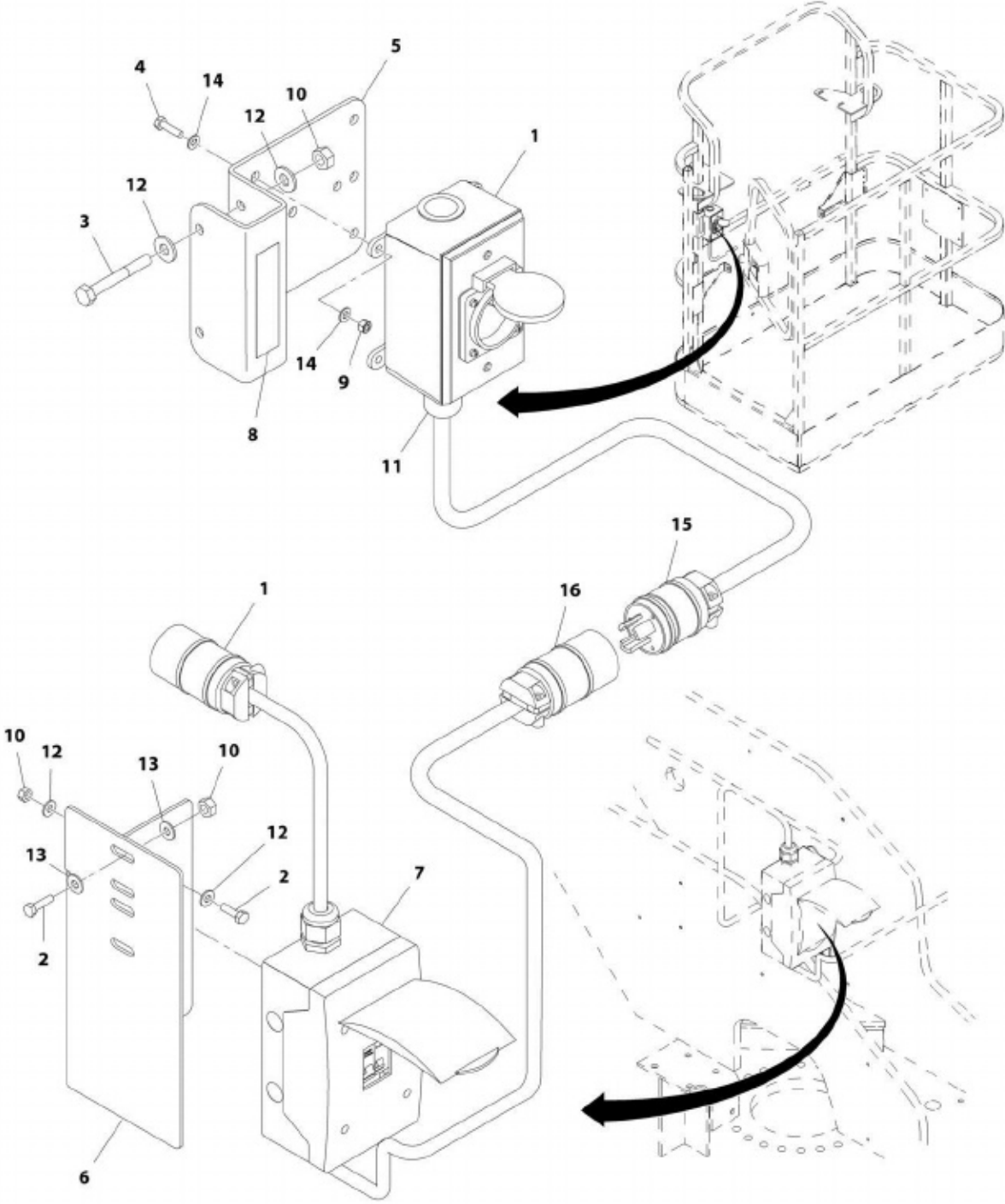
SECTION 8 - ELECTRICAL

FIGURE 8-11. AC BOX AT PLATFORM INSTALLATION - 220V CEE7 SIDE GROUND WITH 2IN X 4IN BOX (CE SPEC) (Prior to SN 0300210159, Prior to SN E300002764)

ITEM	PART NUMBER	QTY	DESCRIPTION	REV
	0275678	Ref	AC BOX AT PLATFORM INSTALLATION - 220V CEE7 SIDE GROUND WITH 2IN X 4IN BOX (CE SPEC) (Prior to SN 0300210159, Prior to SN E300002764)	C
		Ref	Note: For Machines equipped with 4000W Generator, see SPECIAL OPTIONS SECTION.	
1	0275452	1	Receptacle Box Kit (See RECEPTACLE BOX KIT- 220V CEE7 SIDE GROUND WITH 2INX 4IN BOX (CE SPEC) for Breakdown)	
2	0641407	4	Bolt, 1/4 x 7/8	
3	0641416	2	Bolt, 1/4 x 2	
4	0700408	2	Bolt, M4 x 16	
5	0903484	1	Bracket	
6	0903612	1	Bracket	
7	2902549	1	Breaker Box Kit - CE Spec (See BREAKER BOX KIT WITH TWO BREAKERS - CE SPEC for Breakdown)	
8	3252507	2	Decal - Voltage	
9	3290405	2	Nut M4	
10	3311405	6	Nut 1/4	
11	4460968	1	Connector, Strain Relief	
12	4711400	8	Washer 1/4	
13	4751400	4	Washer 1/4	
14	4811400	4	Washer M4	
15	4460709	1	Plug, Male	
16	4460710	1	Receptacle, Female	

SECTION 8 - ELECTRICAL

FIGURE 8-12. AC BOX AT PLATFORM INSTALLATION - 220V CEE7 SIDE GROUND WITH 2IN X 4IN BOX (CE SPEC) (SN 0300210159 to Present, SN E300002764 to Present)



ART_1001162451

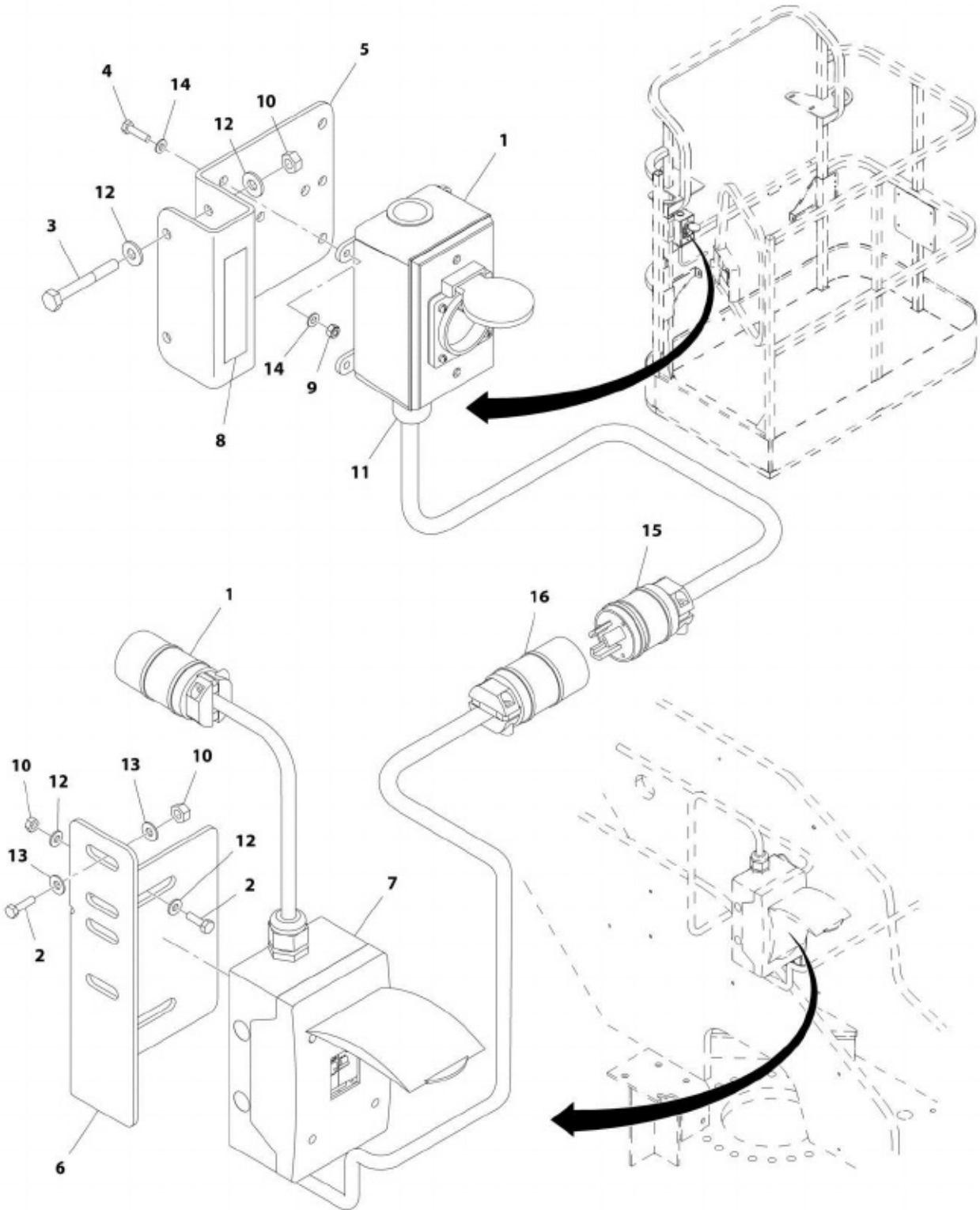
SECTION 8 - ELECTRICAL

FIGURE 8-12. AC BOX AT PLATFORM INSTALLATION - 220V CEE7 SIDE GROUND WITH 2IN X 4IN BOX (CE SPEC) (SN 0300210159 to Present, SN E300002764 to Present)

ITEM	PART NUMBER	QTY	DESCRIPTION	REV
	1001162451	Ref	AC BOX AT PLATFORM INSTALLATION - 220V CEE7 SIDE GROUND WITH 2IN X 4IN BOX (CE SPEC) (SN 0300210159 to Present, SN E300002764 to Present)	A
		Ref	Note: For Machines equipped with 4000W Generator, see SPECIAL OPTIONS SECTION.	
1	0275453	1	Receptacle Box Kit (See RECEPTACLE BOX KIT- 220V CEE7 SIDE GROUND WITH 2INX 4IN BOX (CE SPEC) for Breakdown)	
2	0641407	4	Bolt, 1/4 x 7/8	
3	0641416	2	Bolt, 1/4 x 2	
4	0700408	4	Bolt, M4 x 16	
5	0903484	1	Bracket	
6	1001162445	1	Bracket	
7	1001152485	1	Breaker Box Kit - CE Spec (See BREAKER BOX KIT WITH THREE BREAKERS - CE SPEC for Breakdown)	
8	3252507	2	Decal - Voltage	
9	3290405	4	Nut M4	
10	3311405	6	Nut 1/4	
11	4460968	1	Connector, Strain Relief	
12	4711400	8	Washer 1/4	
13	4751400	4	Washer 1/4	
14	4811400	8	Washer M4	
15	4460709	1	Plug, Male	
16	4460710	1	Receptacle, Female	

SECTION 8 - ELECTRICAL

FIGURE 8-13. AC BOX AT PLATFORM INSTALLATION - 220V AFSINT 107 KEYED GROUND WITH 2IN X 4IN BOX (CE SPEC)



ART_0275680

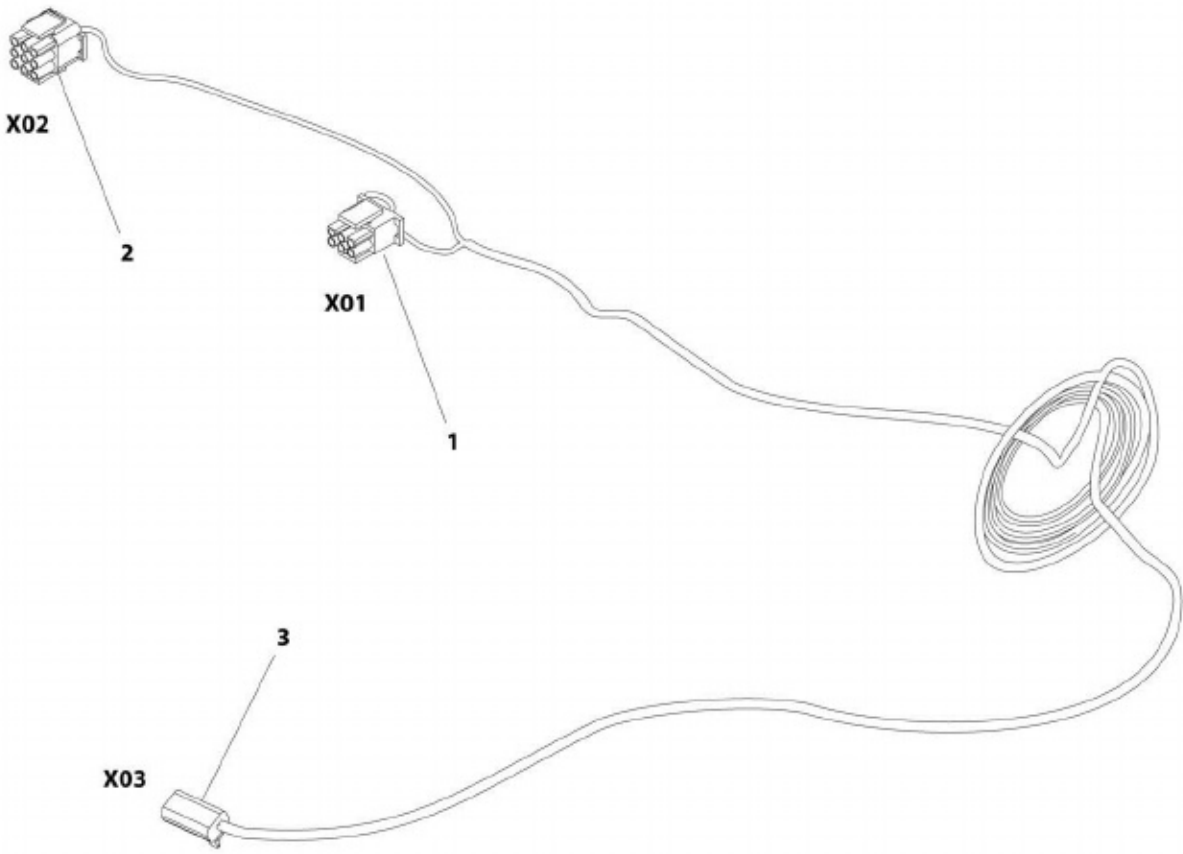
SECTION 8 - ELECTRICAL

FIGURE 8-13. AC BOX AT PLATFORM INSTALLATION - 220V AFSINT 107 KEYED GROUND WITH 2IN X 4IN BOX (CE SPEC)

ITEM	PART NUMBER	QTY	DESCRIPTION	REV
	0275680	Ref	AC BOX AT PLATFORM INSTALLATION - 220V AFSINT 107 KEYED GROUND WITH 2IN X 4IN BOX (CE SPEC)	B
		Ref	Note: For Machines equipped with 4000W Generator, see SPECIAL OPTIONS SECTION.	
1	0275454	1	Receptacle Box Kit (See RECEPTACLE BOX KIT- 220V AFSINT 107 KEYED GROUND WITH 2IN X 4IN BOX (CE SPEC) for Breakdown)	
2	0641407	4	Bolt, 1/4 x 7/8	
3	0641416	2	Bolt, 1/4 x 2	
4	0700408	2	Bolt, M4 x 16	
5	0903484	1	Bracket	
6	0903612	1	Bracket	
7	2902549	1	Breaker Box Kit - CE Spec (See BREAKER BOX KIT WITH TWO BREAKERS - CE SPEC for Breakdown)	
8	3252507	2	Decal - Voltage	
9	3290405	2	Nut M4	
10	3311405	6	Nut 1/4	
11	4460968	1	Connector, Strain Relief	
12	4711400	8	Washer 1/4	
13	4751400	4	Washer 1/4	
14	4811400	4	Washer M4	
15	4460709	1	Plug, Male	
16	4460710	1	Receptacle, Female	

SECTION 8 - ELECTRICAL

FIGURE 8-14. BEACON LIGHT HARNESS (BLUE BEACON ONLY) (SN 0300199221 through 0300202578)



ART_1001149570

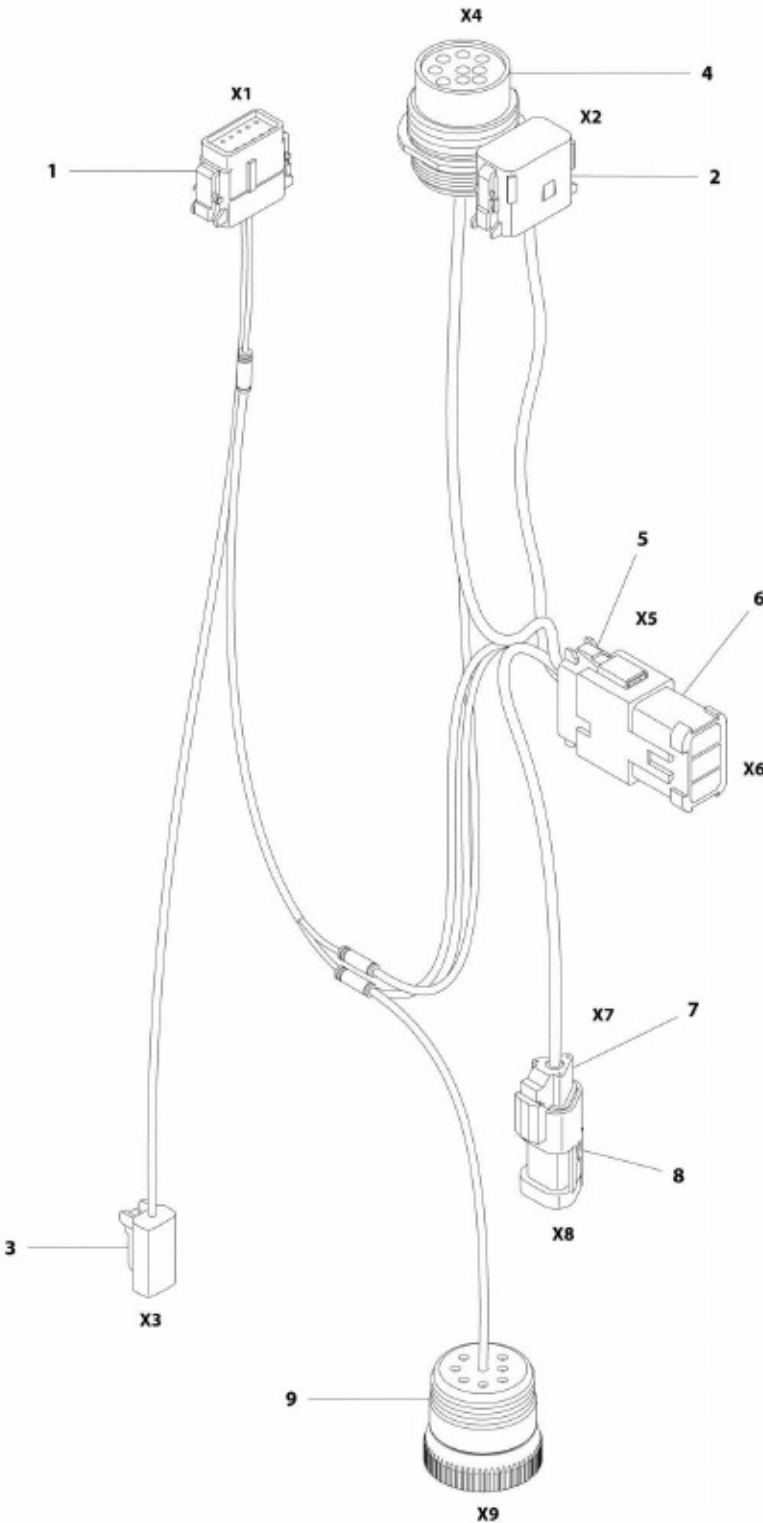
SECTION 8 - ELECTRICAL

FIGURE 8-14. BEACON LIGHT HARNESS (BLUE BEACON ONLY) (SN 0300199221 through 0300202578)

ITEM	PART NUMBER	QTY	DESCRIPTION	REV
	1001149570	Ref	BEACON LIGHT HARNESS (BLUE BEACON ONLY) (SN 0300199221 through 0300202579)	A
1	4460225	1	Plug, Male - 6 Position	
2	4460267 4460265	1	Pin, Male Plug, Male - 9 Position	
2	4460268	1	Socket, Female	
3	4460891	1	Plug, Male - 2 Position	
3	4460465	2	Socket, Female	

SECTION 8 - ELECTRICAL

FIGURE 8-15. BEACON LIGHT HARNESS (BLUE BEACON ONLY) (SN 0300202579 to Present, SN E300000001 to Present)



ART_1001142736

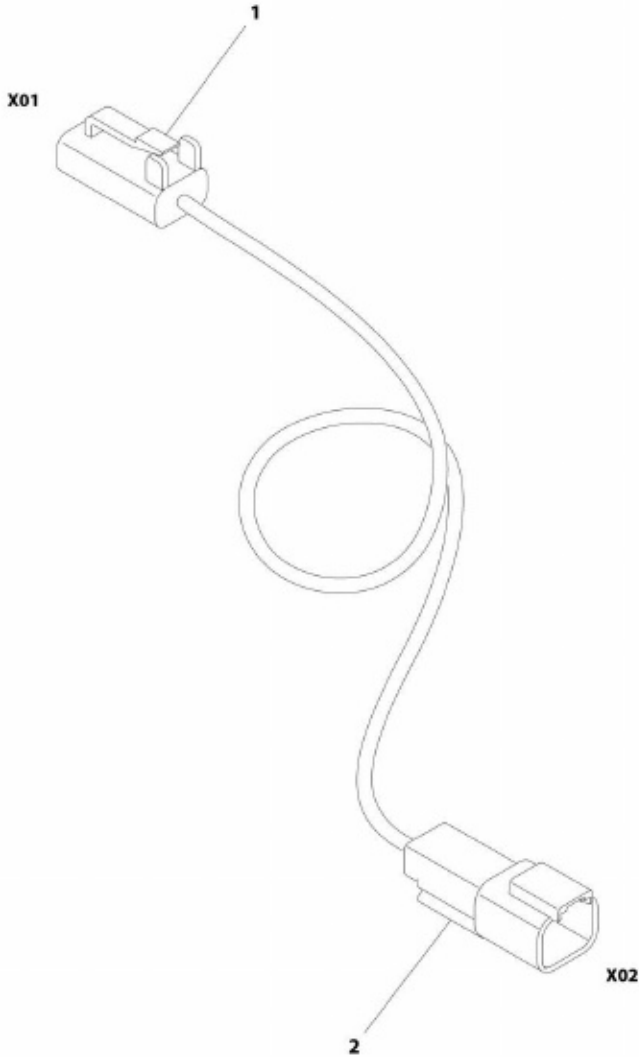
SECTION 8 - ELECTRICAL

FIGURE 8-15. BEACON LIGHT HARNESS (BLUE BEACON ONLY) (SN 0300202579 to Present, SN E300000001 to Present)

ITEM	PART NUMBER	QTY	DESCRIPTION	REV
	1001142736	Ref	BEACON HARNESS (BLUE BEACON LIGHT ONLY) (SN 0300202579 to Present, SN E300000001 to Present)	D
1	1001116808	1	Plug, Male - 12 Position	
1	4460928 4460518	3 9	Socket, Female Plug, Terminal	
2	1001116774	1	Plug, Male - 12 Position	
2	4460928	3	Socket, Female	
2	4460518	9	Plug, Terminal	
3	4460891	1	Plug, Male - 2 Position	
3	4460465	2	Socket, Female	
4	1001112612	1	Connector - 9 Position	
4	4460464	6	Pin, Male	
4	4460466	3	Plug, Terminal	
5	4460933	1	Plug, Male - 12 Position	
5	4460465	12	Socket, Female	
6	1001119020	1	Bussbar - 12 Position	
7	4461095	1	Plug, Male - 3 Position	
7	4460465	3	Socket, Female	
8	4461070	1	Bussbar - 3 Position	
9	1001112796	1	Connector - 9 Position	
9	4460465	6	Socket, Female	
9	4460466	3	Plug, Terminal	

SECTION 8 - ELECTRICAL

FIGURE 8-16. BEACON EXTENSION HARNESS (BLUE BEACON LIGHT ONLY) (SN 0300202579 to Present, SN E300000001 to Present)



ART_1001196458

SECTION 8 - ELECTRICAL

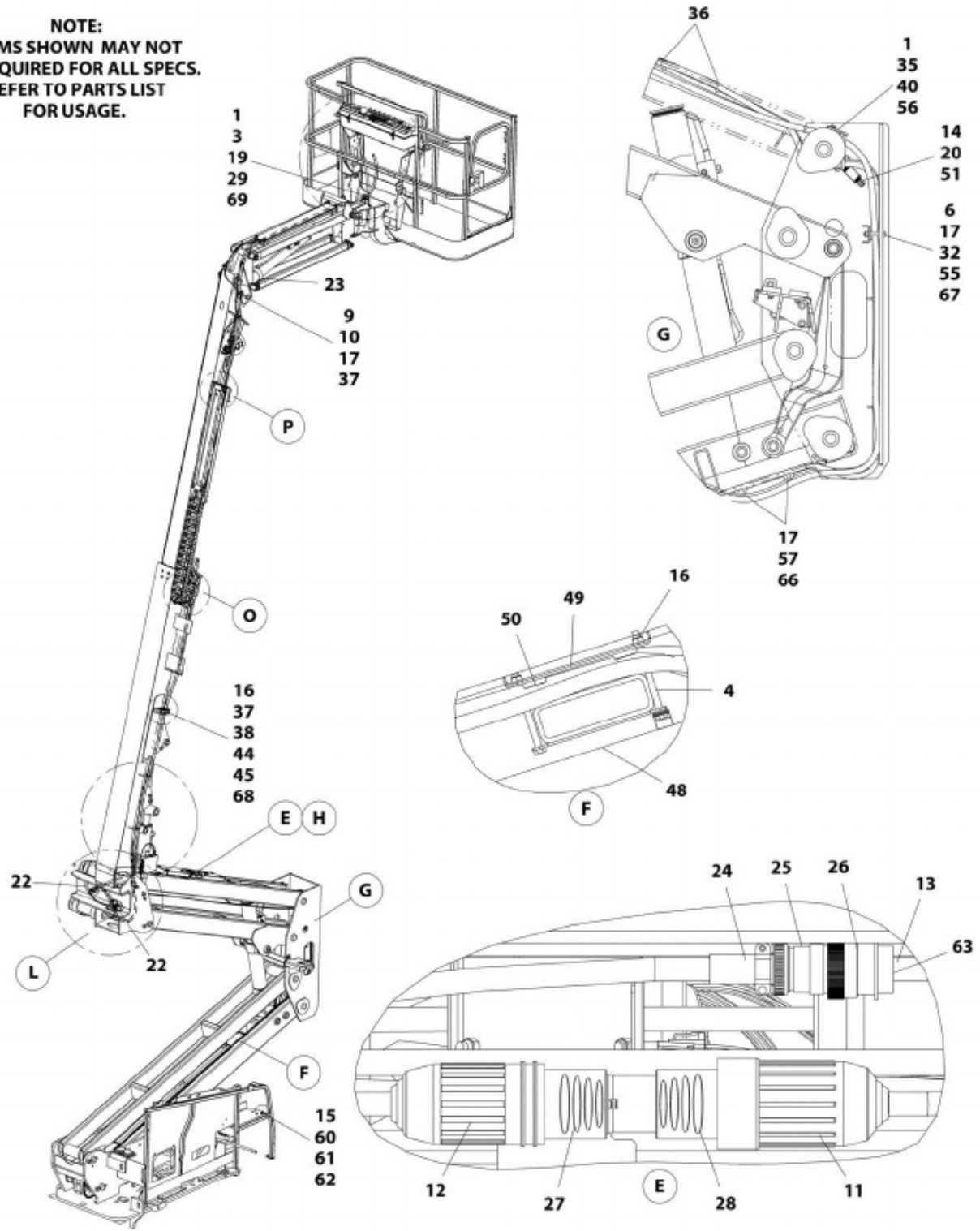
FIGURE 8-16. BEACON EXTENSION HARNESS (BLUE BEACON LIGHT ONLY) (SN 0300202579 to Present, SN E300000001 to Present)

ITEM	PART NUMBER	QTY	DESCRIPTION	REV
	1001196458	Ref	BEACON EXTENSION HARNESS (BLUE BEACON LIGHT ONLY) (SN 0300202579 to Present, SN E300000001 to Present)	A
1	4460891	1	Plug, Male -2 Position	
2	4460465 4460897	2 1	Socket, Female Receptacle, Female	
2	4460464	2	Pin, Male	

SECTION 8 - ELECTRICAL

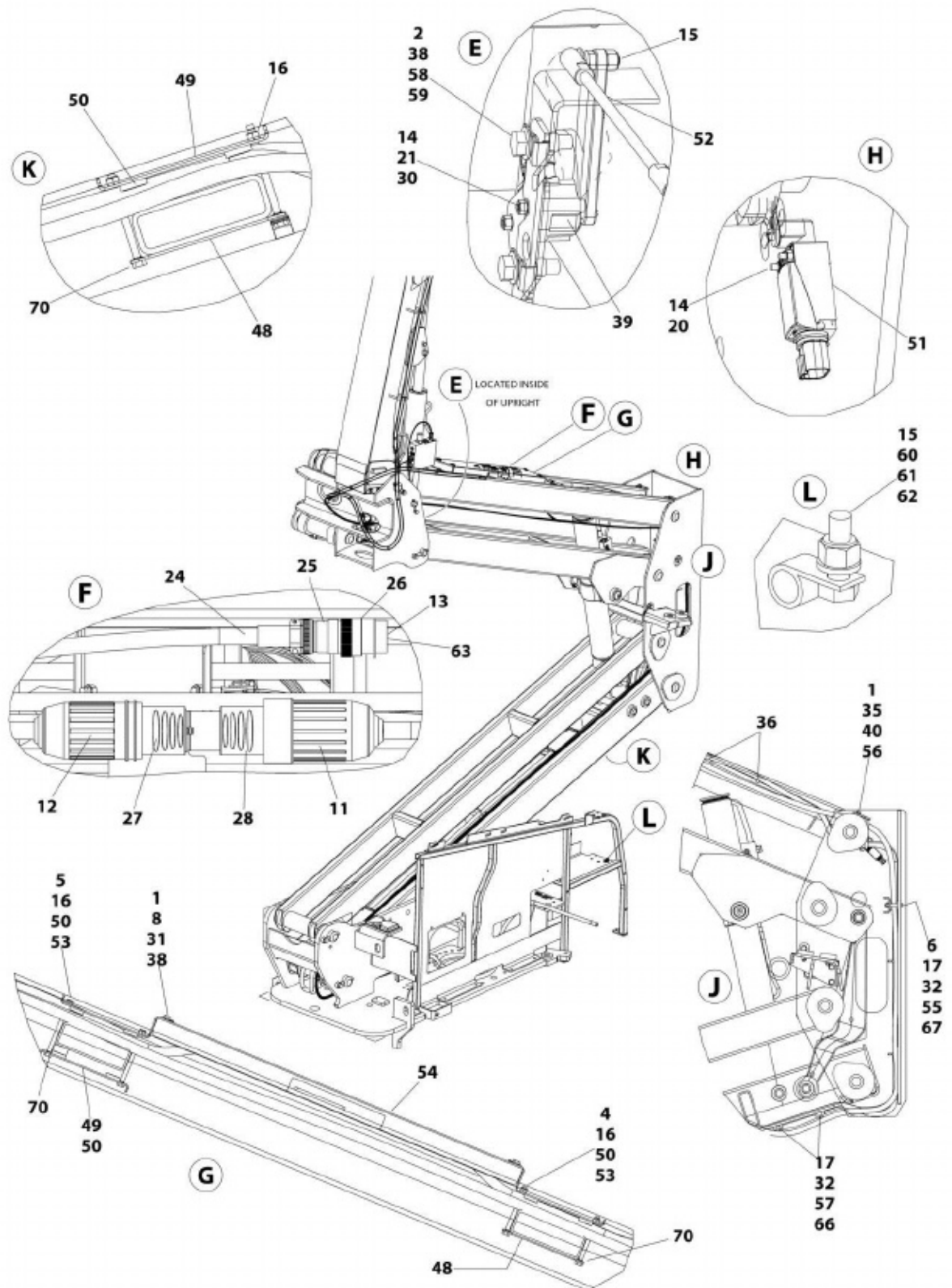
FIGURE 8-17. BOOM CABLES AND CLAMPS INSTALLATION (WITHOUT ARCTIC PACKAGE)

NOTE:
 ITEMS SHOWN MAY NOT
 BE REQUIRED FOR ALL SPECS.
 REFER TO PARTS LIST
 FOR USAGE.



ART_1001179228_10F2

SECTION 8 - ELECTRICAL



ART_1001179228_20F2

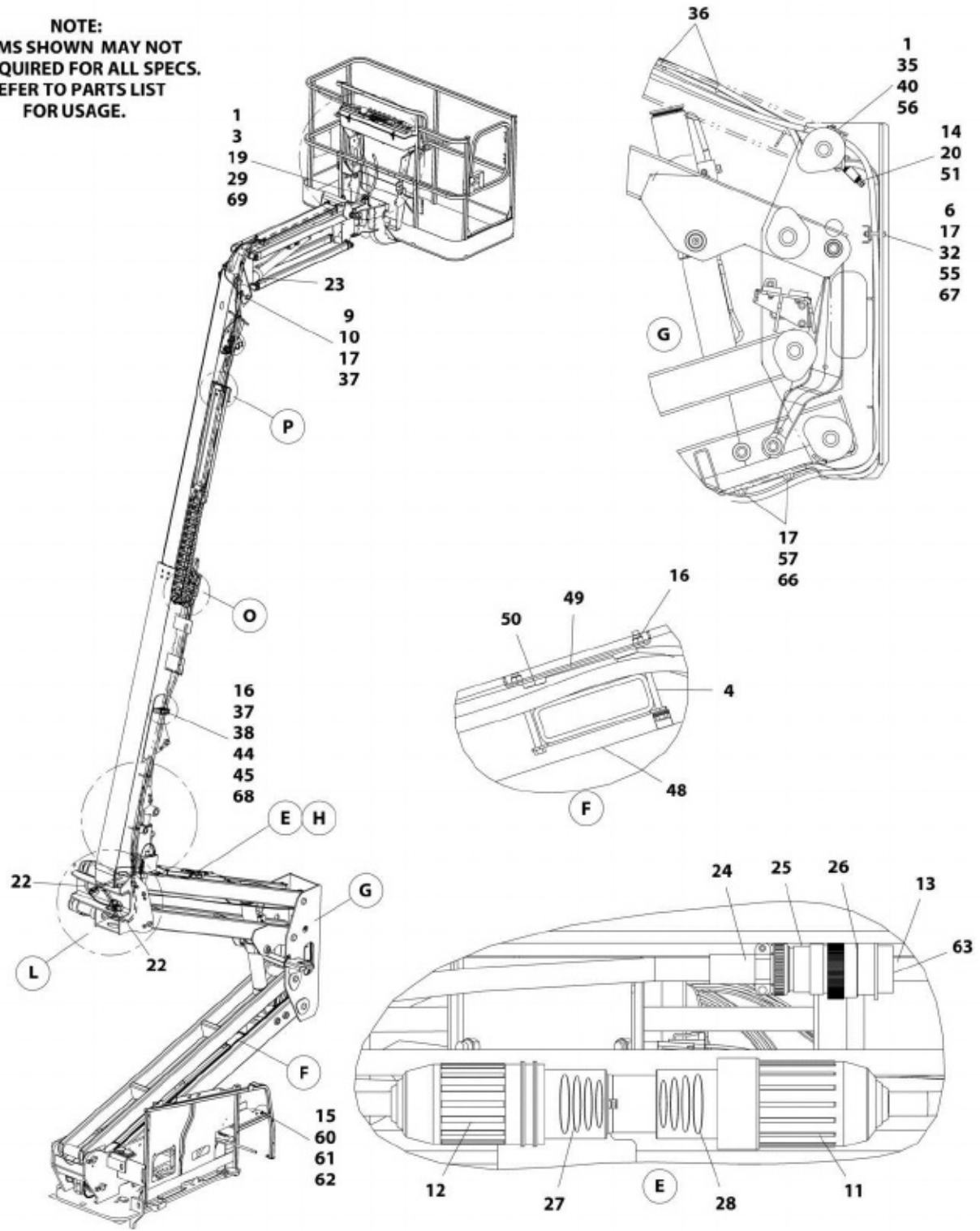
SECTION 8 - ELECTRICAL

ITEM	PART NUMBER	QTY	DESCRIPTION	REV
45	1001166662	1	Plate	
46	1001168472	1	Plate, Clamping	
47	1001168473	2	Clamp, Rubber	
48	1001171553	3	Plate, Clamping	
49	1001171555	3	Plate, Clamping	
50	1001171559	10	Pad	
51	1001172271	1	Switch, Limit	
52	1001172796	1	Link, Sensor (Note: Sold as Assembly Only)	
53	1001178448	2	Plate, Clamping	
54	1001178449	1	Cover	
55	1001178644	1	Plate	
56	1001178958	1	Bracket	
57	1001182561	2	Roller	
58	5250812	2	Bolt M8 x 25	
59	1001179266	1	Plate, Mounting	
60	0760610	1	Bolt M6 x 20	
61	1320043	1	Clamp	
62	4811700	1	Washer M6	
63	4460466	AR	Plug, Terminal	
64	1001181621	1	Cover	
65	1001181923	1	Shield, Hose	
66	1001119280	2	Bolt M10 x 260	
67	1001185747	2	Pad	
69	88521205	2	Nut 5/16	
70	1001119228	8	Nut M8	
71	8310070	1	Pushnut 3/8	

SECTION 8 - ELECTRICAL

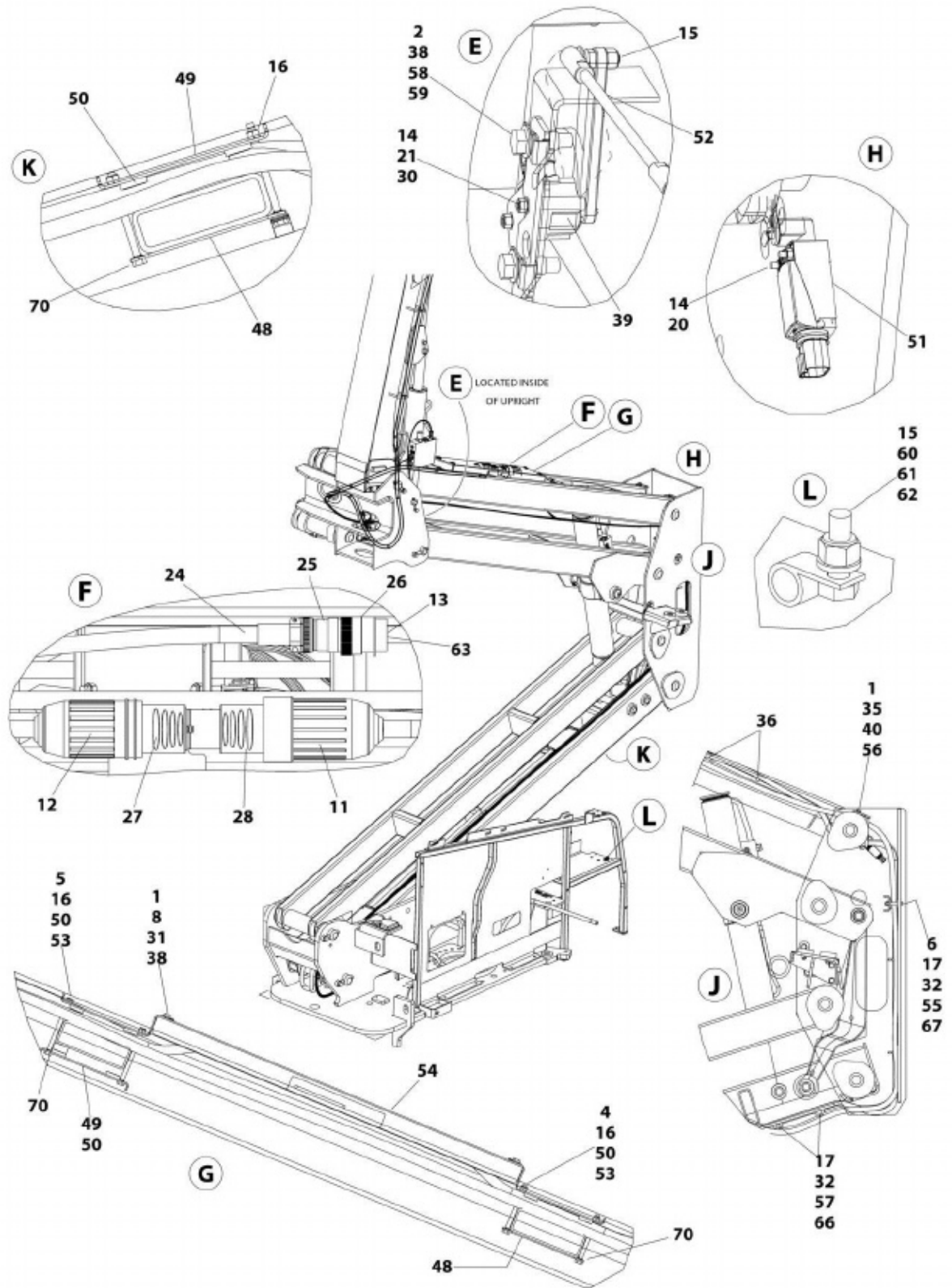
FIGURE 8-18. BOOM CABLES AND CLAMPS INSTALLATION (WITH ARCTIC PACKAGE)

NOTE:
 ITEMS SHOWN MAY NOT
 BE REQUIRED FOR ALL SPECS.
 REFER TO PARTS LIST
 FOR USAGE.



ART_1001179228_10F2

SECTION 8 - ELECTRICAL



ART_1001179228_20F2

SECTION 8 - ELECTRICAL

FIGURE 8-18. BOOM CABLES AND CLAMPS INSTALLATION (WITH ARCTIC PACKAGE)

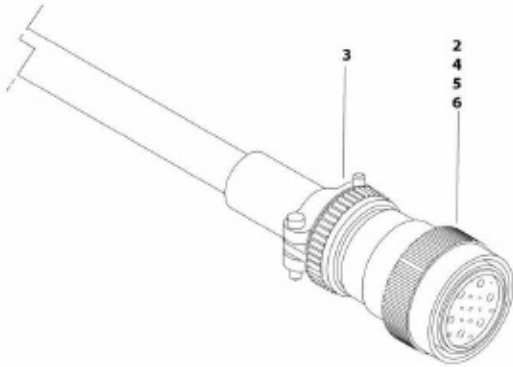
ITEM	PART NUMBER	QTY	DESCRIPTION	REV
	1001179228	Ref	BOOM CABLES AND CLAMPS INSTALLATION - REFERENCE CHART	I
	1001179737	Ref	BOOM CABLES AND CLAMPS INSTALLATION (WITH ARCTIC PACKAGE)	G
		Ref	Note: For Machines with Generator Option, See SPECIAL OPTIONS SECTION for Components.	
1	0100011	AR	Compound, Locking	
2	0100081	AR	Adhesive	
3	0641509	2	Bolt 5/16 x 1-1/8	
4	0700827	6	Bolt M8 x 100	
5	0700828	2	Bolt M8 x 110	
6	0701021	3	Bolt M10 x 65	
7	0701024	4	Bolt M10 x 80	
8	0760812	4	Bolt M8 x 25	
9	0761012	1	Bolt M10 x 25	
10	1320130	1	Clamp	
13	2820031	AR	Heat Shrink	
14	3290405	4	Nut M4	
15	3290605	3	Nut M6	
16	3290805	10	Nut M8	
17	3291005	10	Nut M10	
19	3841340	1	Loop, Hose	
20	4010417	2	Screw M4 x 45	
21	4031511	2	Capscrew M4 x 35	
22	4060808	27.5 in/ 8.38m	Flex-Trim	
23	4240156	2	Strap, Clinch	
24	4460473	2	Clamp, Cable	
25	4460865	1	Connector - 19 Position	
26	4460866	1	Connector - 19 Position	
29	4711500	4	Washer 5/16	
30	4811400	2	Washer M4	
31	4811902	4	Washer M8	
32	4812000	13	Washer M10	
33	1001179439	1	Harness, Tower Boom (See BOOM HARNESS - TOWER BOOM for Breakdown)	
34	1001174754	1	Harness, Tower Boom AC Cable (See BOOM HARNESS - TOWER BOOM AC CABLE for Breakdown)	
35	5251014	2	Bolt M10 x 30	
36	8881800	AR	Tie-Strap	
37	5281920	2	Screw M8 x 80	
38	1001118274	8	Nut M8	
39	1001118971	1	Sensor, Angle	
39	70005667	1	Arm	
40	1001118972	2	Nut M10	
41	1001174748	1	Harness, Main Boom (See BOOM HARNESS - MAIN BOOM for Breakdown)	
42	1001174750	1	Harness, Main Boom AC Cable (See BOOM HARNESS - MAIN BOOM AC CABLE for Breakdown)	
43	1001164738	1	Harness, Boom Valve (See BOOM VALVE HARNESS for Breakdown)	
44	1001166678	1	Block, Clamping	

SECTION 8 - ELECTRICAL

ITEM	PART NUMBER	QTY	DESCRIPTION	REV
45	1001166662	1	Plate	
46	1001168472	1	Plate, Clamping	
47	1001168473	2	Clamp, Rubber	
48	1001171553	3	Plate, Clamping	
49	1001171555	3	Plate, Clamping	
50	1001171559	10	Pad	
51	1001172271	1	Switch, Limit	
52	1001172796	1	Link, Sensor (Note: Sold as Assembly Only)	
53	1001178448	2	Plate, Clamping	
54	1001178449	1	Cover	
55	1001178644	1	Plate	
56	1001178958	1	Bracket	
57	1001182561	2	Roller	
58	5250812	2	Bolt M8 x 25	
59	1001179266	1	Plate, Mounting	
60	0760610	1	Bolt M6 x 20	
61	1320043	1	Clamp	
62	4811700	1	Washer M6	
63	4460466	AR	Plug, Terminal	
64	1001181621	1	Cover	
65	1001181923	1	Shield, Hose	
66	1001119280	2	Bolt M10 x 260	
67	1001185747	2	Pad	
69	88521205	2	Nut 5/16	
70	1001119228	8	Nut M8	
71	8310070	1	Pushnut 3/8	

SECTION 8 - ELECTRICAL

FIGURE 8-19. BOOM HARNESS - MAIN BOOM (WITHOUT ARCTIC PACKAGE)



ART_1021164730

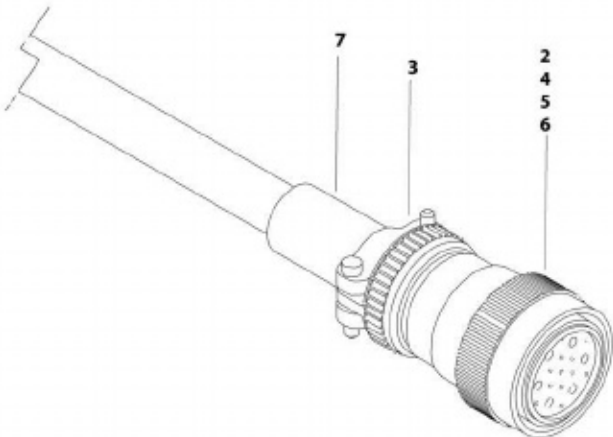
SECTION 8 - ELECTRICAL

FIGURE 8-19. BOOM HARNESS - MAIN BOOM (WITHOUT ARCTIC PACKAGE)

ITEM	PART NUMBER	QTY	DESCRIPTION	REV
	1001164730	Ref	BOOM HARNESS - MAIN BOOM (WITHOUT ARCTIC PACKAGE)	D
2	4460865	1	Connector - 19 Position	
3	4460473	1	Clamp	
4	4460465	20	Socket, Female	
5	4460509	8	Socket, Female	
6	4460466	5	Plug, Socket	

SECTION 8 - ELECTRICAL

FIGURE 8-20. BOOM HARNESS - MAIN BOOM (WITH ARCTIC PACKAGE)



ART_1601174748

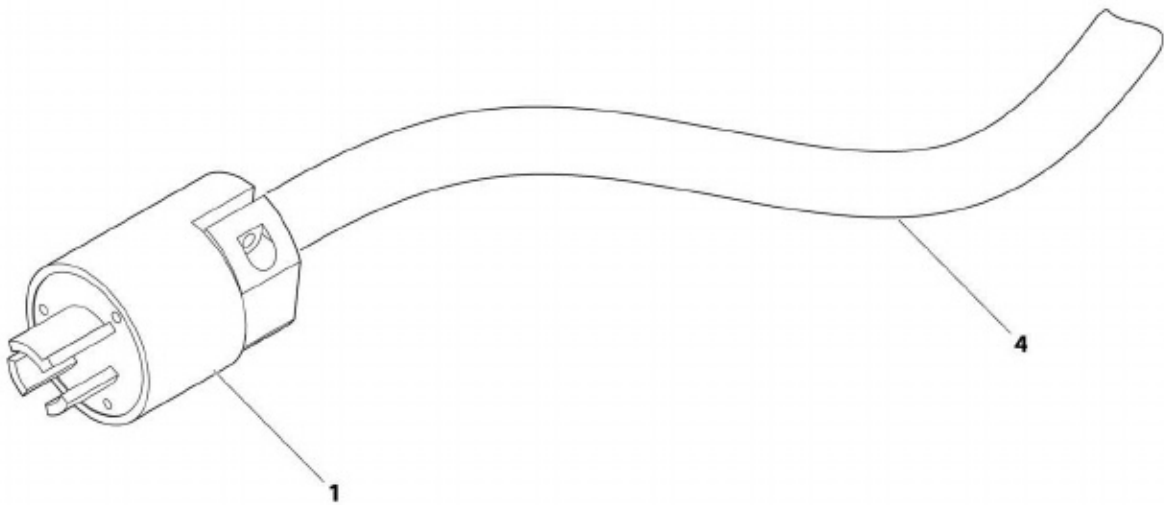
SECTION 8 - ELECTRICAL

FIGURE 8-20. BOOM HARNESS - MAIN BOOM (WITH ARCTIC PACKAGE)

ITEM	PART NUMBER	QTY	DESCRIPTION	REV
	1001174748	Ref	BOOM HARNESS - MAIN BOOM (WITH ARCTIC PACKAGE)	B
2	4460865	1	Connector - 19 Position	
3	4460473	1	Clamp	
4	4460465	20	Socket, Female	
5	4460509	8	Socket, Female	
6	4460466	5	Plug, Socket	
7	2820118	AR	Heat Shrink	

SECTION 8 - ELECTRICAL

FIGURE 8-21. BOOM HARNESS - MAIN BOOM AC CABLE (WITHOUT ARCTIC PACKAGE)



ART_1001164731

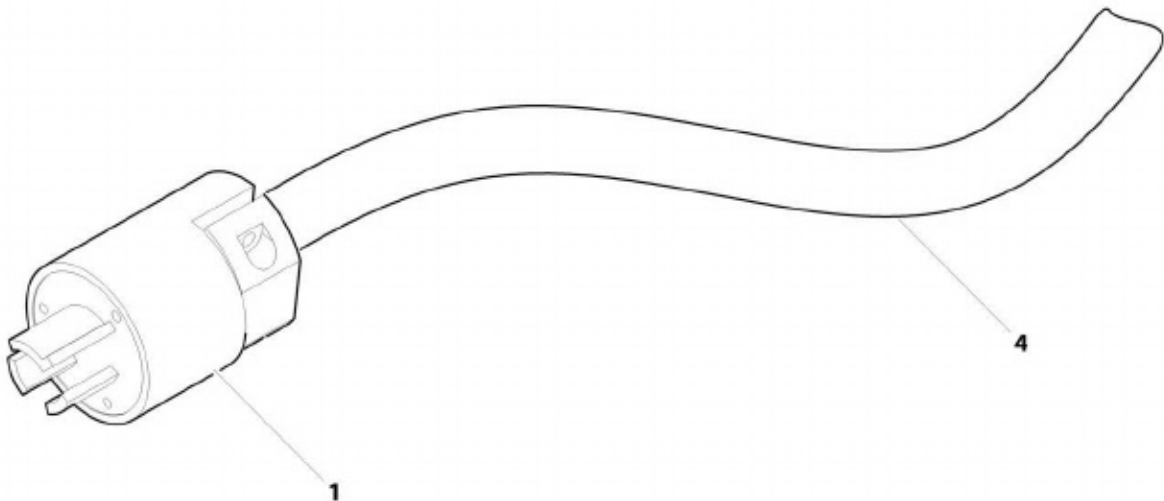
SECTION 8 - ELECTRICAL

FIGURE 8-21. BOOM HARNESS - MAIN BOOM AC CABLE (WITHOUT ARCTIC PACKAGE)

ITEM	PART NUMBER	QTY	DESCRIPTION	REV
	1001164731	Ref	BOOM HARNESS - MAIN BOOM AC CABLE (WITHOUT ARCTIC PACKAGE)	C
1	1001120204	1	Plug, Male	
4	1060461	494 in/ 12.6m	Cable, Electrical - 12/3	

SECTION 8 - ELECTRICAL

FIGURE 8-22. BOOM HARNESS - MAIN BOOM AC CABLE (WITH ARCTIC PACKAGE)



ART_1001174750

SECTION 8 - ELECTRICAL

FIGURE 8-22. BOOM HARNESS - MAIN BOOM AC CABLE (WITH ARCTIC PACKAGE)

ITEM	PART NUMBER	QTY	DESCRIPTION	REV
	1001174750	1	BOOM HARNESS - MAIN BOOM AC CABLE (WITH ARCTIC PACKAGE)	B
1	1001120204	1	Plug, Male	
4	4923463	494 in/ 12.6m	Cable, Electrical - 12/3	

SECTION 8 - ELECTRICAL

FIGURE 8-23. BOOM HARNESS - TOWER BOOM (WITHOUT ARCTIC PACKAGE)



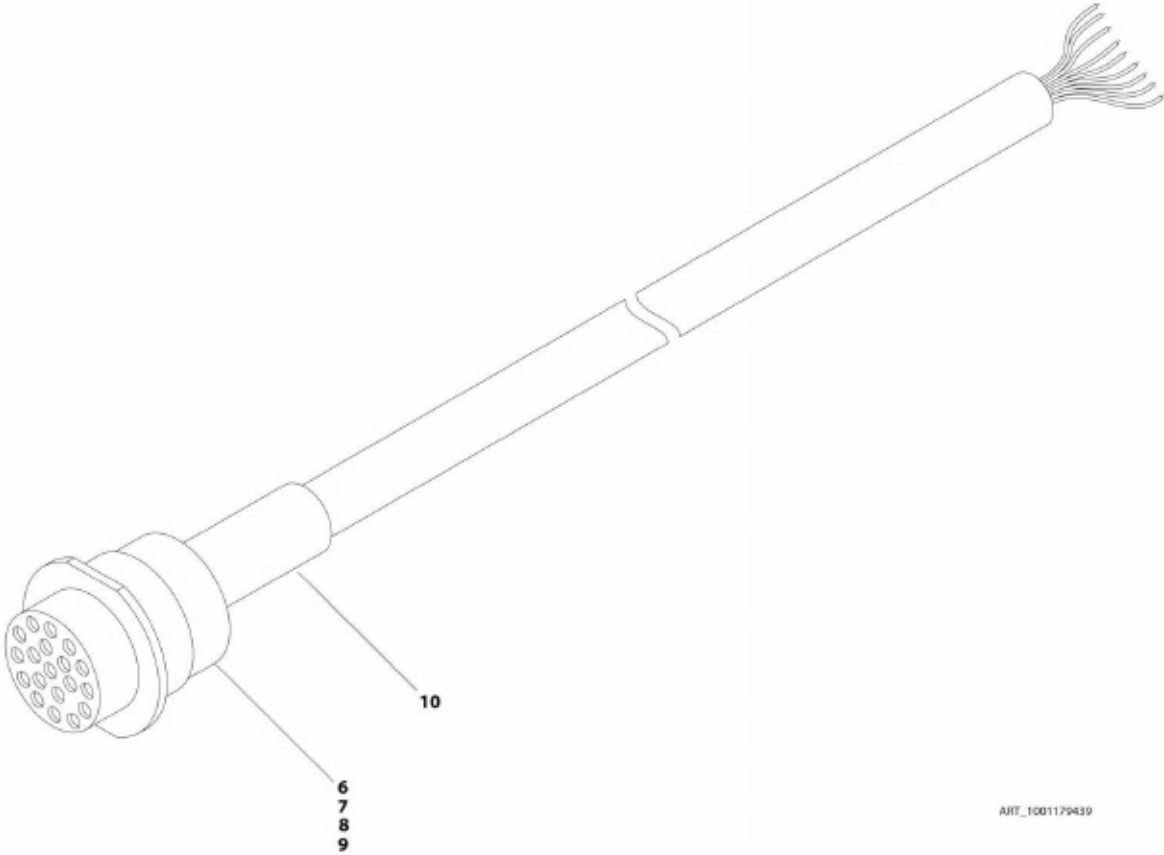
SECTION 8 - ELECTRICAL

FIGURE 8-23. BOOM HARNESS - TOWER BOOM (WITHOUT ARCTIC PACKAGE)

ITEM	PART NUMBER	QTY	DESCRIPTION	REV
	1001176951	Ref	BOOM HARNESS - TOWER BOOM (WITHOUT ARCTIC PACKAGE)	E
6	4460466	5	Plug, Terminal	
7	4460464	20	Pin, Male	
8	4460508	8	Pin, Male	
9	4460866	1	Connector - 19 Position	
10	2820031	AR	Heat Shrink	

SECTION 8 - ELECTRICAL

FIGURE 8-24. BOOM HARNESS - TOWER BOOM (WITH ARCTIC PACKAGE)



AHT_1001179439

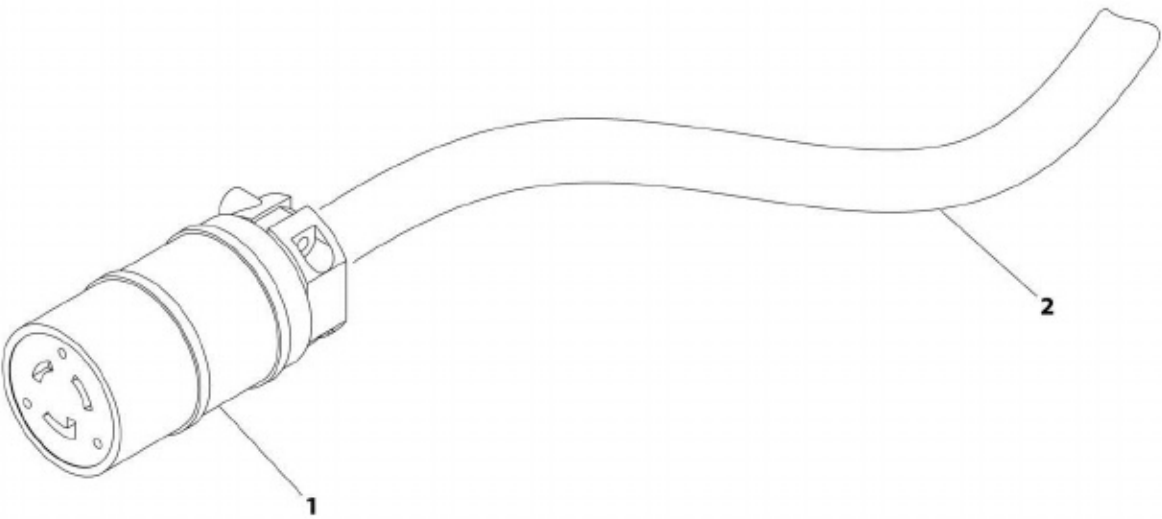
SECTION 8 - ELECTRICAL

FIGURE 8-24. BOOM HARNESS - TOWER BOOM (WITH ARCTIC PACKAGE)

ITEM	PART NUMBER	QTY	DESCRIPTION	REV
	1001179439	Ref	BOOM HARNESS - TOWER BOOM (WITH ARCTIC PACKAGE)	D
6	4460466	4	Plug, Terminal	
7	4460464	22	Pin, Male	
8	4460508	8	Pin, Male	
9	4460866	1	Connector - 19 Position	
10	2820031	AR	Heat Shrink	

SECTION 8 - ELECTRICAL

FIGURE 8-25. BOOM HARNESS - TOWER BOOM AC CABLE (WITHOUT ARCTIC PACKAGE)



ART_1001174749

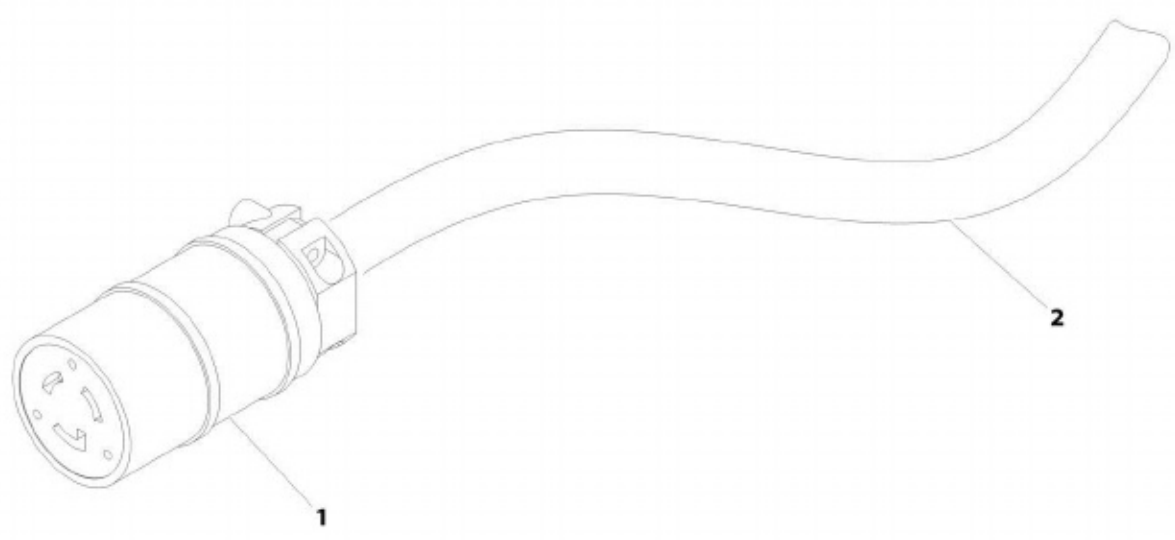
SECTION 8 - ELECTRICAL

FIGURE 8-25. BOOM HARNESS - TOWER BOOM AC CABLE (WITHOUT ARCTIC PACKAGE)

ITEM	PART NUMBER	QTY	DESCRIPTION	REV
	1001174749	Ref	BOOM HARNESS - TOWER BOOM AC CABLE (WITHOUT ARCTIC PACKAGE)	C
1	1001120205	1	Connector, Female	
2	1060461	28 ft/ 8.5m	Electrical Cable, 12/3	

SECTION 8 - ELECTRICAL

FIGURE 8-26. BOOM HARNESS - TOWER BOOM AC CABLE (WITH ARCTIC PACKAGE)



ART_1001174754

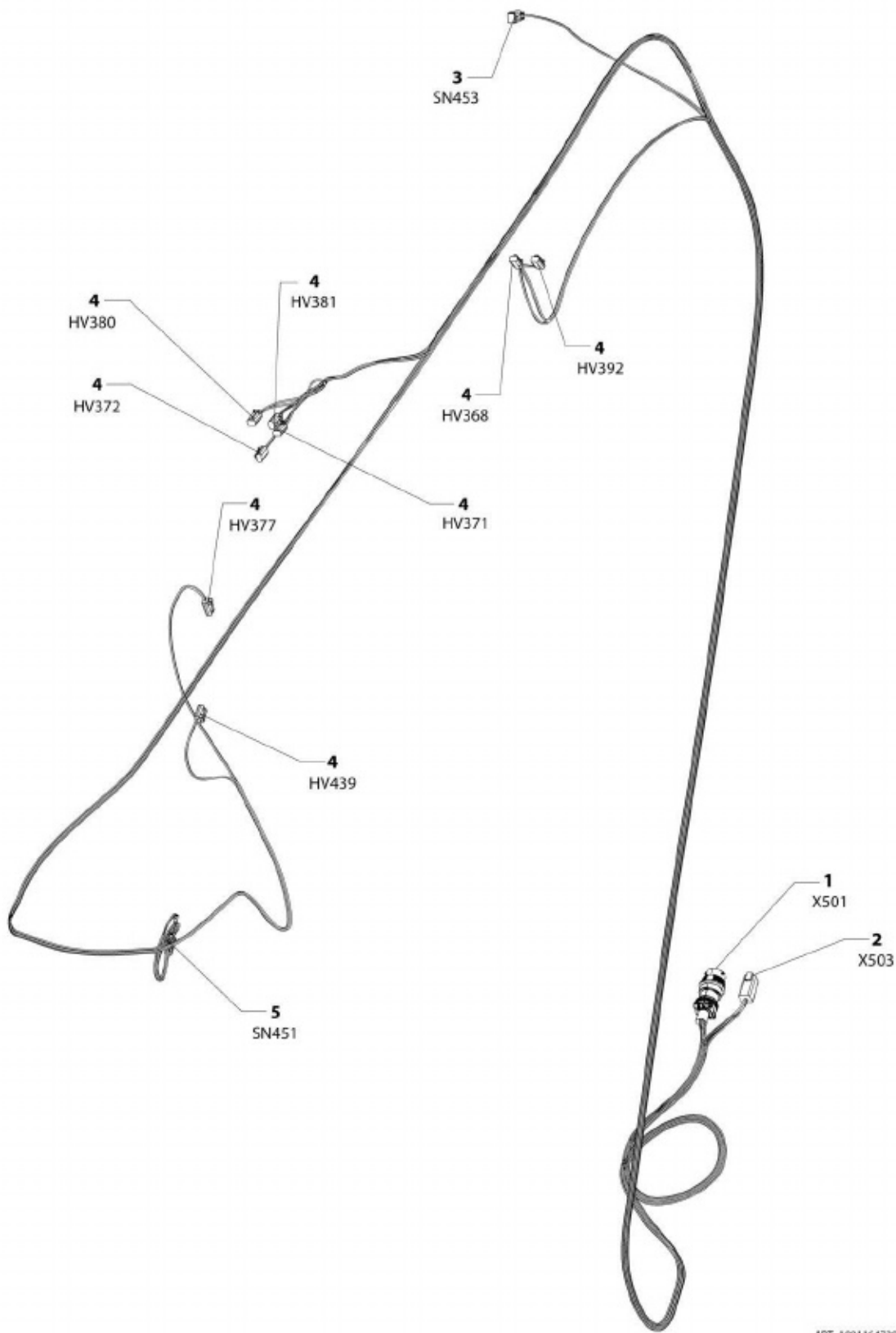
SECTION 8 - ELECTRICAL

FIGURE 8-26. BOOM HARNESS - TOWER BOOM AC CABLE (WITH ARCTIC PACKAGE)

ITEM	PART NUMBER	QTY	DESCRIPTION	REV
	1001174754	Ref	BOOM HARNESS - TOWER BOOM AC CABLE (WITH ARCTIC PACKAGE)	B
1	1001120205	1	Connector, Female	
2	4920463	28 ft/ 8.5m	Cable, Electrical - 12/3	

SECTION 8 - ELECTRICAL

FIGURE 8-27. BOOM VALVE HARNESS



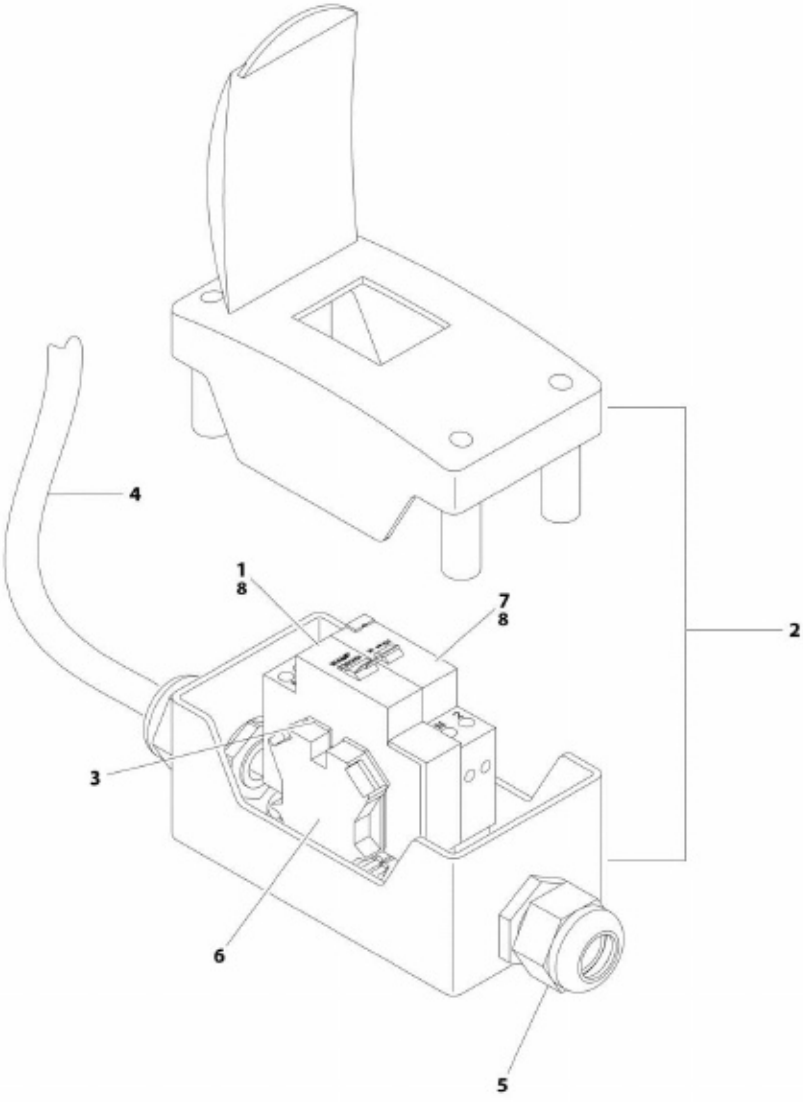
ART_1001164738

FIGURE 8-27. BOOM VALVE HARNESS

ITEM	PART NUMBER	QTY	DESCRIPTION	REV
	1001164738	Ref	BOOM VALVE HARNESS	D
1	1001156541	1	Connector - 19 Position	
1	4460464	13	Pin, Male	
1	4460466	1	Plug, Terminal	
2	4460899	1	Connector - 6 Position	
2	4460464	6	Pin, Male	
3	4460884	1	Plug, Male - 4 Position	
3	4460465	2	Socket, Female	
3	4460466	2	Plug, Terminal	
4	4460891	8	Plug, Male - 2 Position	
4	4460465	16	Socket, Female	
5	1001117064	1	Plug, Male - 6 Position	
5	91554014	6	Terminal	

SECTION 8 - ELECTRICAL

FIGURE 8-28. BREAKER BOX KIT WITH TWO BREAKERS - CE SPEC



ART_2902549

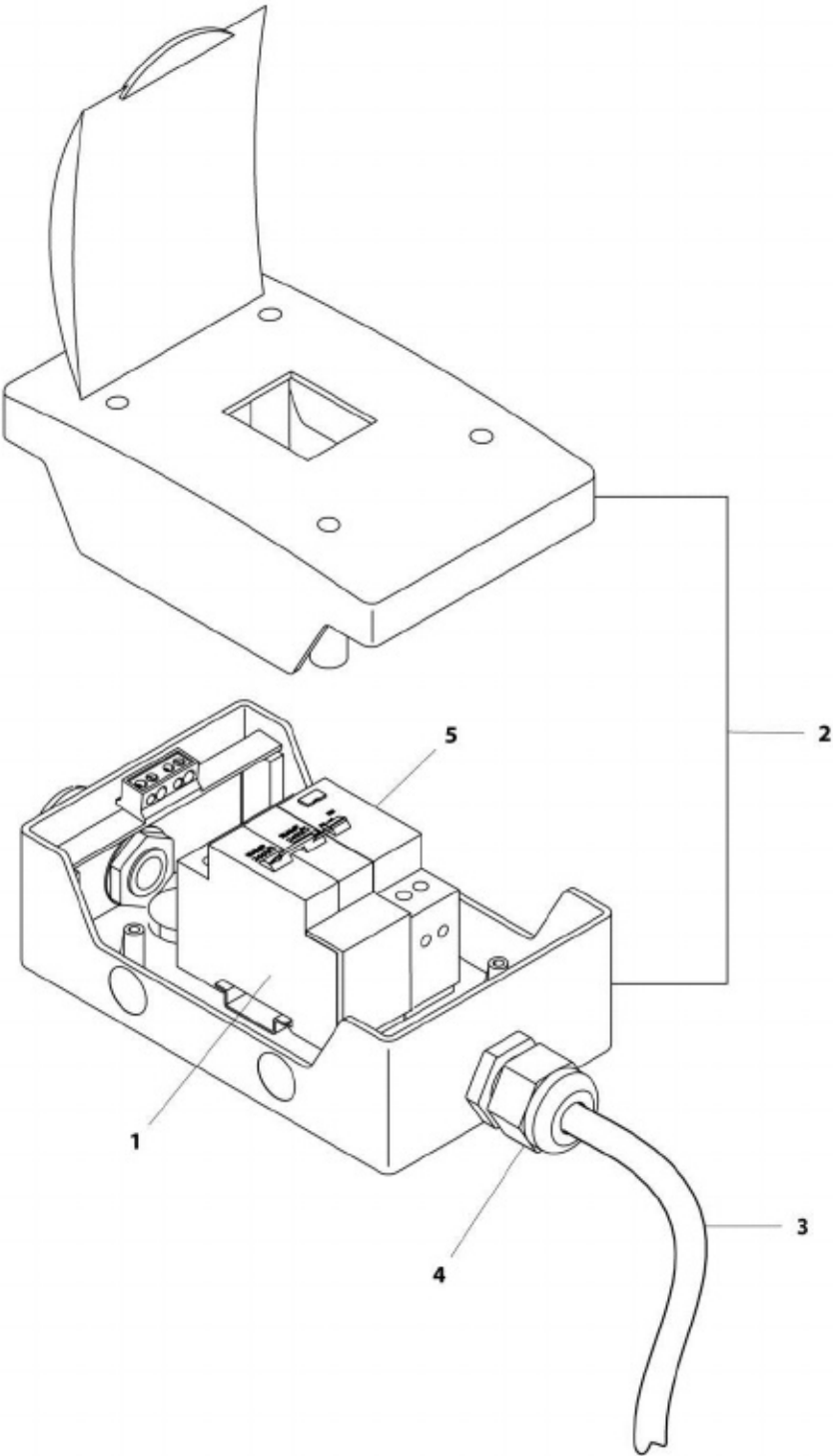
SECTION 8 - ELECTRICAL

FIGURE 8-28. BREAKER BOX KIT WITH TWO BREAKERS - CE SPEC

ITEM	PART NUMBER	QTY	DESCRIPTION	REV
	2902549	Ref	BREAKER BOX KIT WITH TWO BREAKERS - CE SPEC	E
1	1001109475	NLA	Breaker, 16 Amp (Use p/n 1001181045) (SN 0300199221 through 0300203565)	
2	0861880	1	Box	
3 4	4460956 1060908	1 6 ft/1.8m	Barrier, Terminal Cable, 12/3	
5	1001097150	2	Connector, Strain Relief	
6	4460957	1	Block, Terminal	
7	1001109482	NLA	Breaker, 30mA (Use p/n 1001181045) (SN 0300199221 through 0300203565)	
8	1001181045	1	Breaker, Double 30mA/16Amp (SN 0300203566 to Present)	
8	1001181045	1	Breaker, Double 30mA/16Amp (SN E300000001 to Present)	

SECTION 8 - ELECTRICAL

FIGURE 8-29. BREAKER BOX KIT WITH THREE BREAKERS - CE SPEC



ART_1001152485

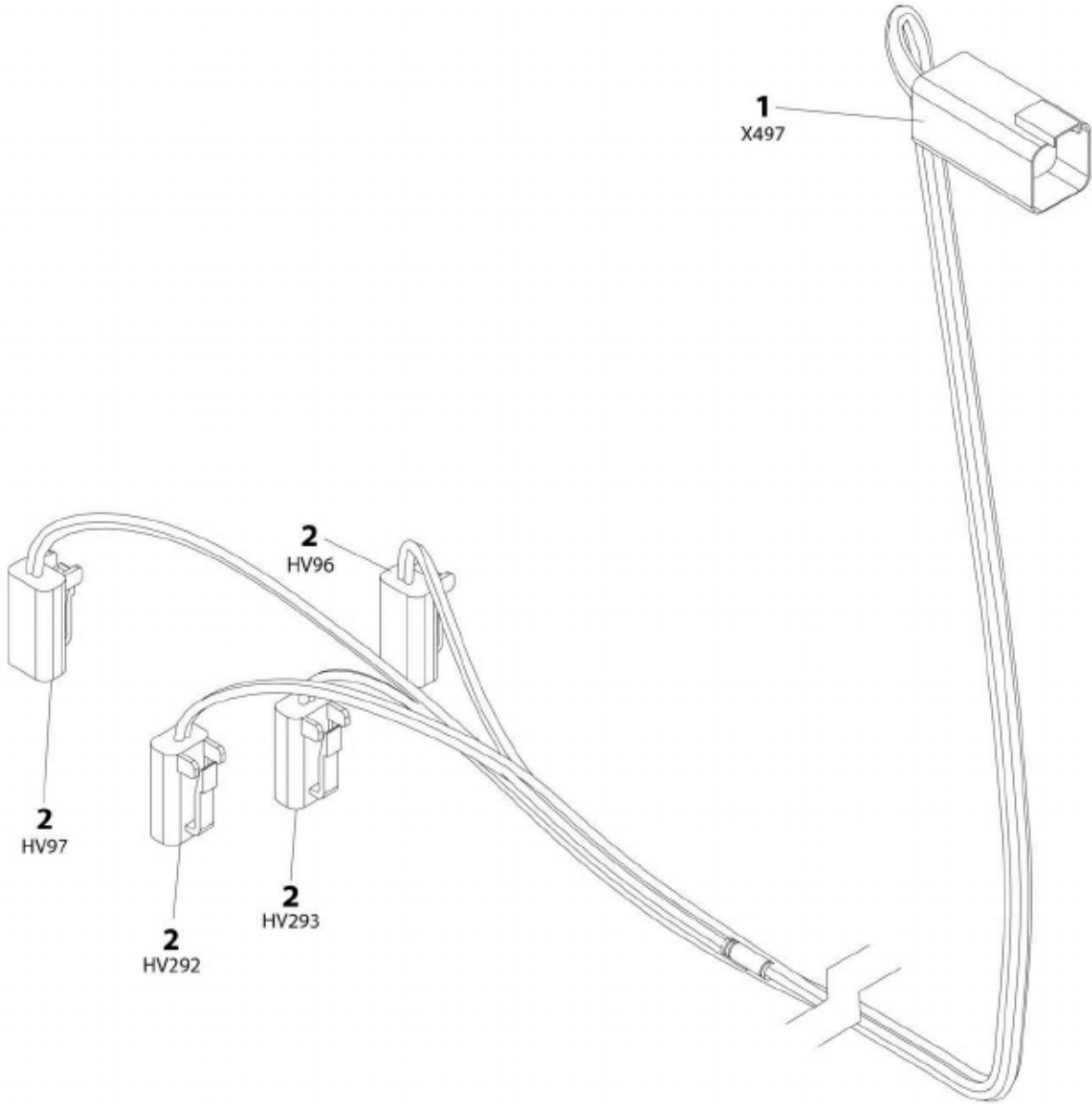
SECTION 8 - ELECTRICAL

FIGURE 8-29. BREAKER BOX KIT WITH THREE BREAKERS - CE SPEC

ITEM	PART NUMBER	QTY	DESCRIPTION	REV
	1001152485	Ref	BREAKER BOX KIT WITH THREE BREAKERS - CE SPEC	A
1	1001152479	1	Breaker, 16 Amp, (Double)	
2	1001152483	1	Box	
3	1060908	6 ft/1.8m	Cable, 12/3	
4	1001097150	1	Connector, Strain Relief	
5	1001152482	1	Breaker, 30mA	

SECTION 8 - ELECTRICAL

FIGURE 8-30. CHASSIS SOLENOID HARNESS



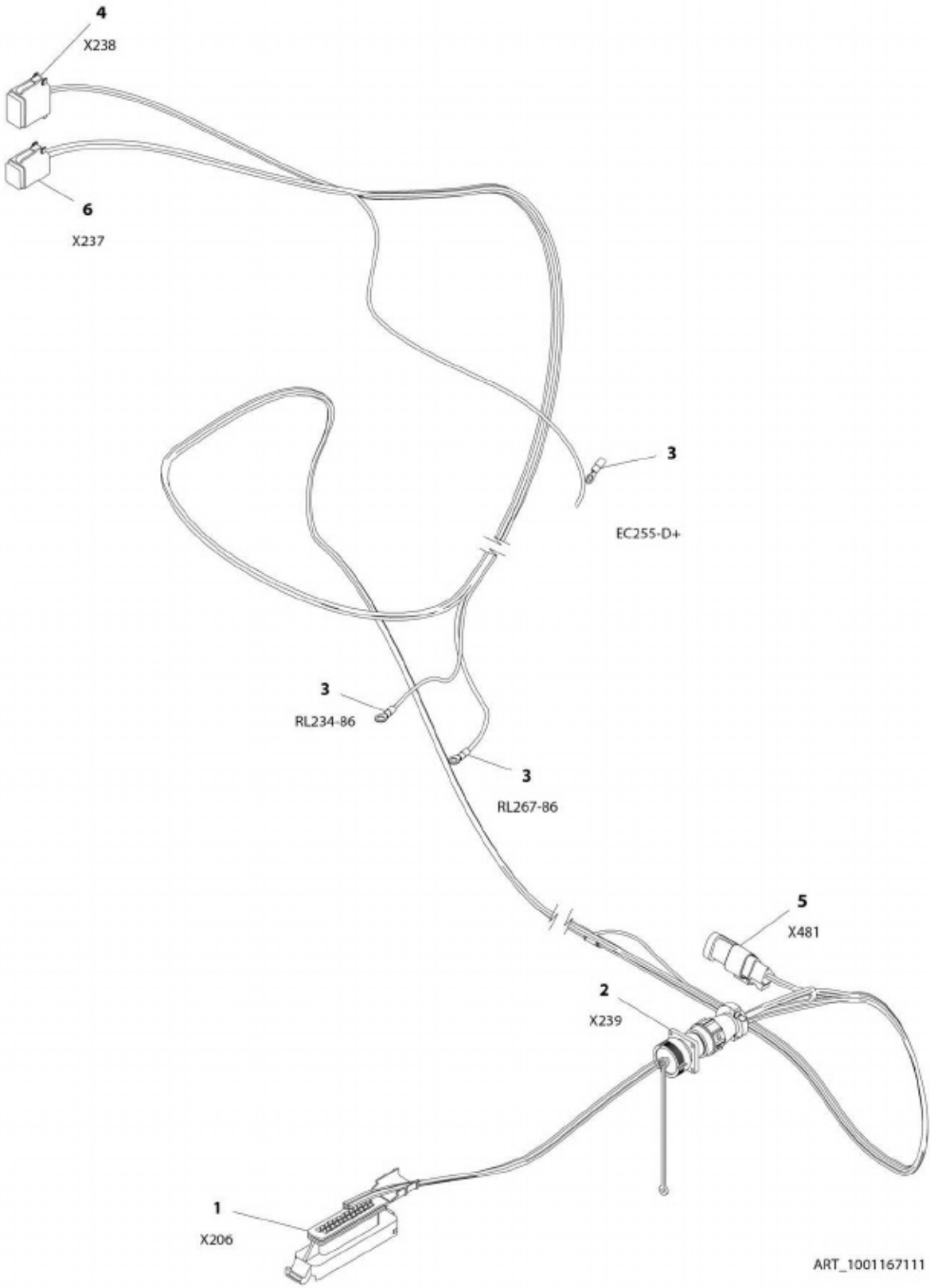
ART_1001179236

FIGURE 8-30. CHASSIS SOLENOID HARNESS

ITEM	PART NUMBER	QTY	DESCRIPTION	REV
	1001179236	Ref	CHASSIS SOLENOID HARNESS	A
1	4460899	1	Receptacle, Female - 6 Position	
1	4460464	6	Pin, Male	
2	4460891	4	Plug, Male - 2 Position	
2	4460465	8	Socket, Female	

SECTION 8 - ELECTRICAL

FIGURE 8-31. ENGINE HARNESS - DEUTZ D2.3L3



ART_1001167111

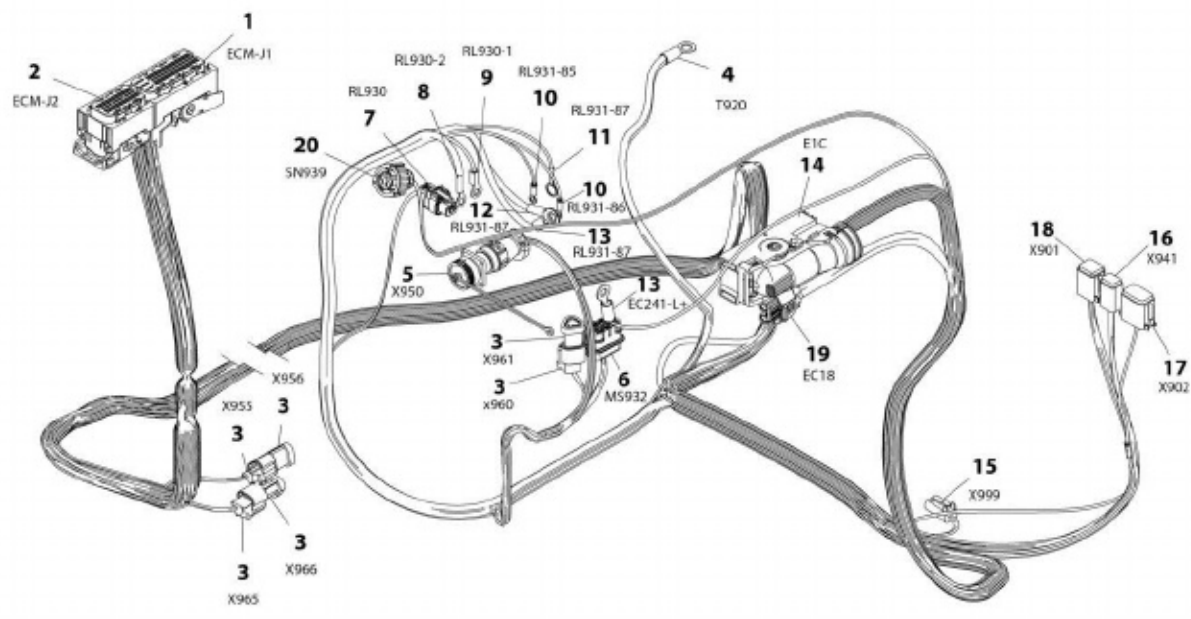
SECTION 8 - ELECTRICAL

FIGURE 8-31. ENGINE HARNESS - DEUTZ D2.3L3

ITEM	PART NUMBER	QTY	DESCRIPTION	REV
	1001167111	Ref	ENGINE HARNESS - DEUTZ D2.3L3	B
1	4461052	1	Connector - 25 Position	
1	4461005	7	Terminal	
1	4461008	18	Plug, Terminal	
2	2902443	1	Receptacle Kit	
2	4461071	8	Socket, Female	
2	4461072	1	Receptacle with Flange - 8 Position	
2	4461073	1	Cap, Dust	
2	4461074	1	Shell, Black	
3	4460313	3	Terminal, Ring	
4	4460930	1	Plug, Male - 8 Position	
4	4460465	2	Socket, Female	
4	4460466	6	Seal, Terminal	
5	4461095	1	Plug, Male - 3 Position	
5	4460465	3	Socket, Female	
6	4460894	1	Plug, Male - 6 Position	
6	4460465	6	Socket, Female	

SECTION 8 - ELECTRICAL

FIGURE 8-32. ENGINE HARNESS - DEUTZ D2.9L4



ART_1001167108

SECTION 8 - ELECTRICAL

FIGURE 8-32. ENGINE HARNESS - DEUTZ D2.9L4

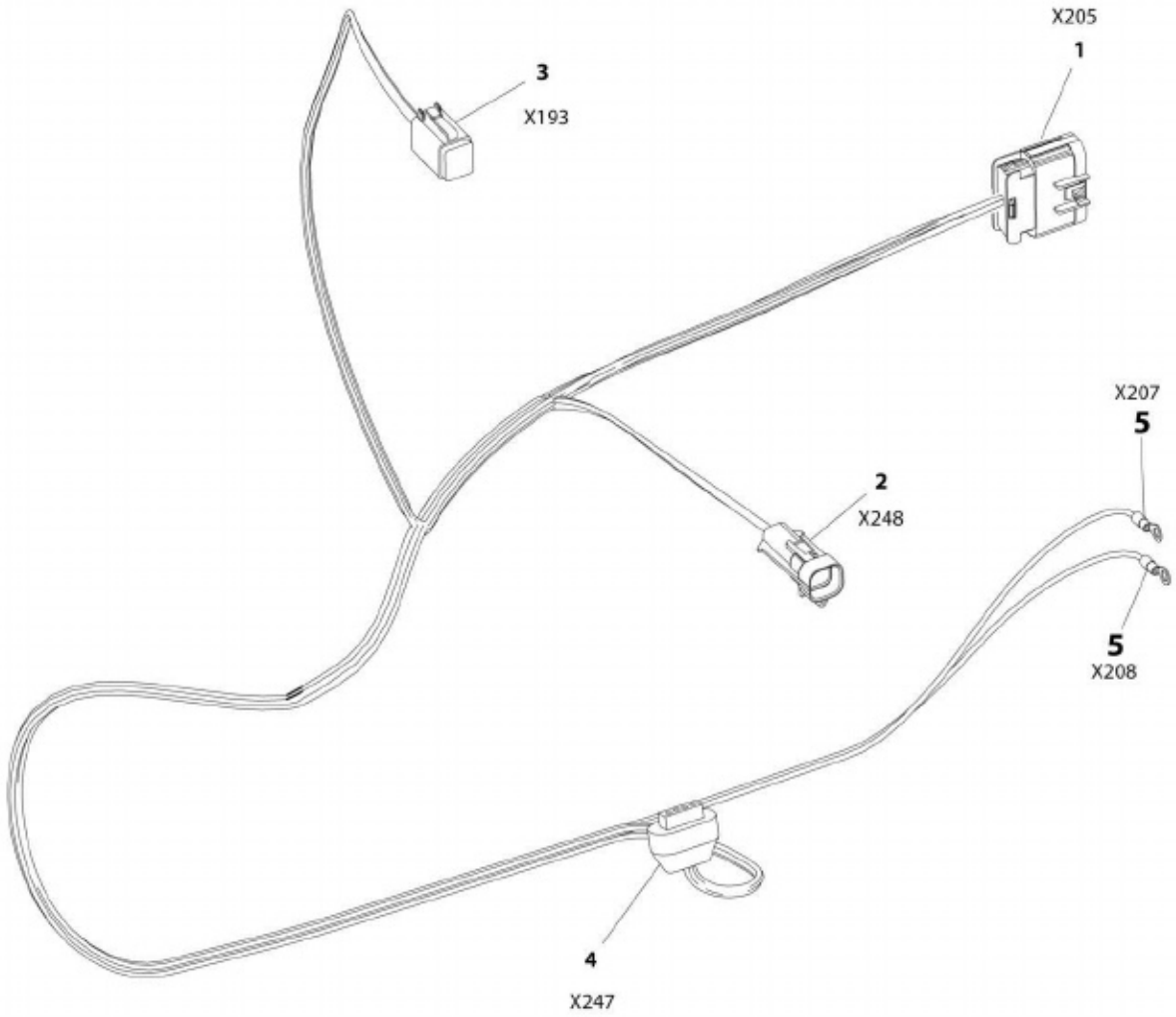
ITEM	PART NUMBER	QTY	DESCRIPTION	REV
	1001167108	Ref	ENGINE HARNESS - DEUTZ D2.9L4	H
1	1001133956	1	Connector, 94 Position	
1	1001126352	6	Terminal	
1	1001126357	2	Seal, Terminal	
1	1001126356	63	Seal, Terminal	
1	1001126384	21	Terminal	
1	1001126351	2	Terminal	
2	1001133957	1	Connector - 60 Position	
2	1001126357	11	Seal, Terminal	
2	1001126351	13	Terminal	
2	1001126356	19	Seal, Terminal	
2	1001126384	17	Terminal	
3	4461095	3	Plug, Male - 3 Position	
3	4460944	6	Socket, Female	
3	4460466	3	Plug, Terminal	
3	4461070	3	Connector, Female with Resistor 3 Position	
4	8220115	1	Terminal, Ring	
5	2902443	1	Receptacle Kit	
5	4461071	8	Socket, Female	
5	4461072	1	Receptacle with Flange - 8 Position	
5	4461073	1	Cap, Dust	
5	4461074	1	Shell, Black	
6	80484084	1	Connector - 8 Position	
6	1001116727	4	Plug, Terminal	
6	1001116728	4	Terminal	
6	8229242	1	Fuse - 5Amp	
6	80983191	1	Fuse - 10Amp	
6	1001147264	1	Cap	
7	1001116952	1	Plug, Male - 2 Position	
7	4460465	2	Socket, Female	
8	1001117106	1	Terminal, Ring	
9	4460043	1	Terminal, Ring	
10	4460247	2	Terminal, Ring	
11	4460703	1	Terminal, Ring	
12	8220164	1	Terminal, Ring	
13	1001117107	2	Terminal, Ring	
14	1001126362	1	Connector - 62 Position	
14	1001126363	33	Terminal	
14	1001126391	23	Seal, Terminal	
14	4461008	4	Seal, Terminal	
14	1001126365	2	Terminal	
15	4460891	1	Plug, Male - 2 Position	
15	4460465	2	Socket, Female	
15	1001171403	1	Resistor Assembly (SN 0300214749 to Present, SN E300003115 to Present)	
16	4460884	1	Plug, Male - 4 Position	
16	4460465	4	Socket, Female	
16	4460932	1	Receptacle, Female - 4 Position (SN 0300214749 to Present, SN E300003115 to Present)	
16	4460466	4	Seal, Terminal (SN 0300214749 to Present, SN E300003115 to Present)	

SECTION 8 - ELECTRICAL

ITEM	PART NUMBER	QTY	DESCRIPTION	REV
			Present)	
17	4460930	1	Plug, Male - 8 Position	
17	4460465	1	Socket, Female	
17	4460466	7	Seal, Terminal	
18	4460894	1	Plug, Male - 6 Position	
18	4460465	6	Socket, Female	
19	1001142938	1	Connector - 2 Position	
19	1001142940	2	Terminal	
20	1001133714	1	Plug, Male - 4 Position	
20	1001133715	3	Terminal	
20	1001135651	1	Plug, Terminal	

SECTION 8 - ELECTRICAL

FIGURE 8-33. ENGINE HARNESS - GM



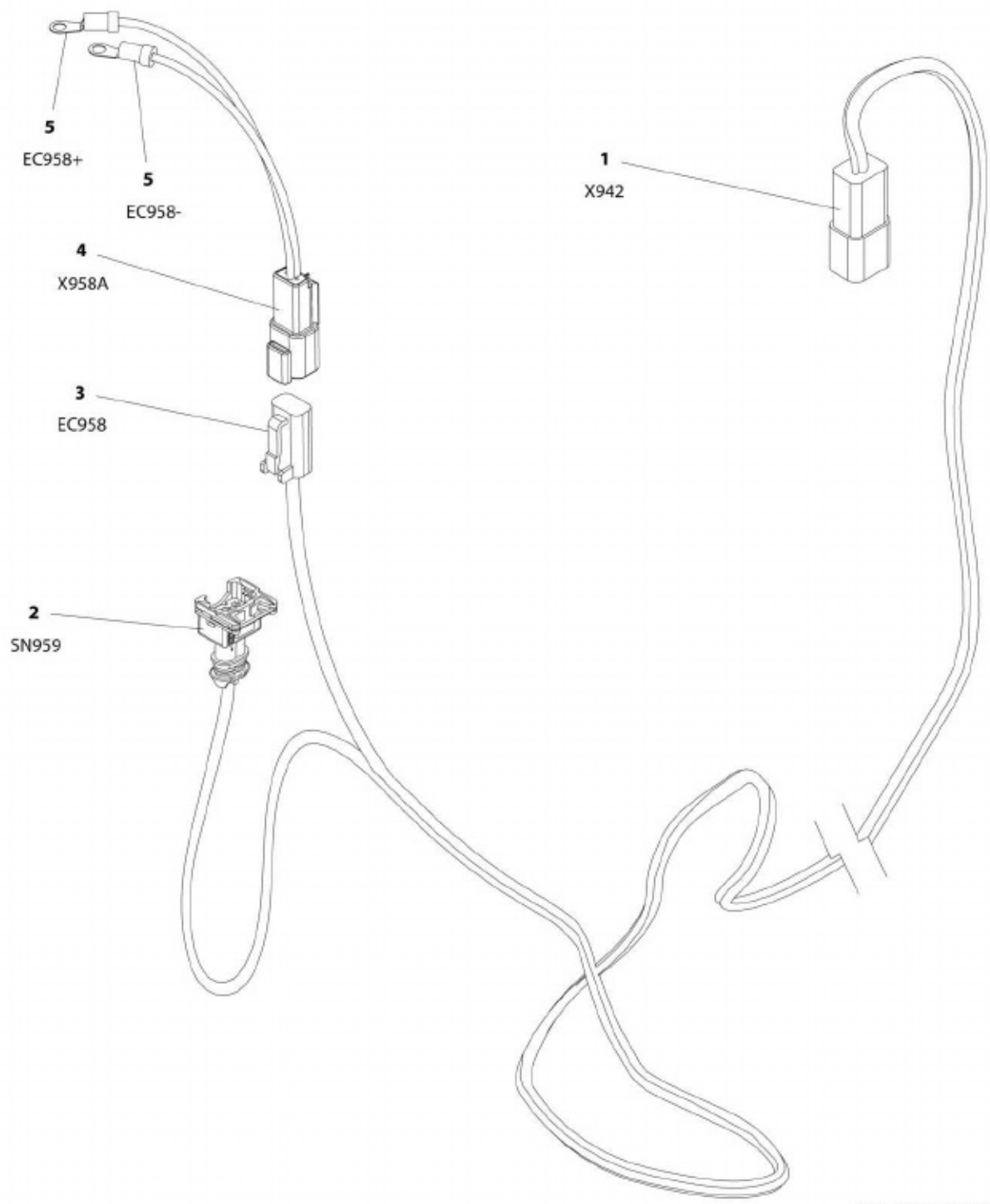
ART_1001180017

FIGURE 8-33. ENGINE HARNESS - GM

ITEM	PART NUMBER	QTY	DESCRIPTION	REV
	1001180017	Ref	ENGINE HARNESS - GM	A
1	4461109	1	Plug, Male - 16 Position	
1	4461111	7	Pin, Male	
2	4461124	1	Connector - 4 Position	
2	4460693	4	Terminal	
3	4460894	1	Plug, Male - 6 Position	
3	4460465	5	Socket, Female	
3	4460466	1	Plug, Terminal	
4	4461121	1	Plug, Male - 4 Position	
4	4461122	4	Terminal	
5	4460313	2	Terminal, Ring	

SECTION 8 - ELECTRICAL

FIGURE 8-34. FUEL HARNESS - DEUTZ D2.9L4 ENGINE



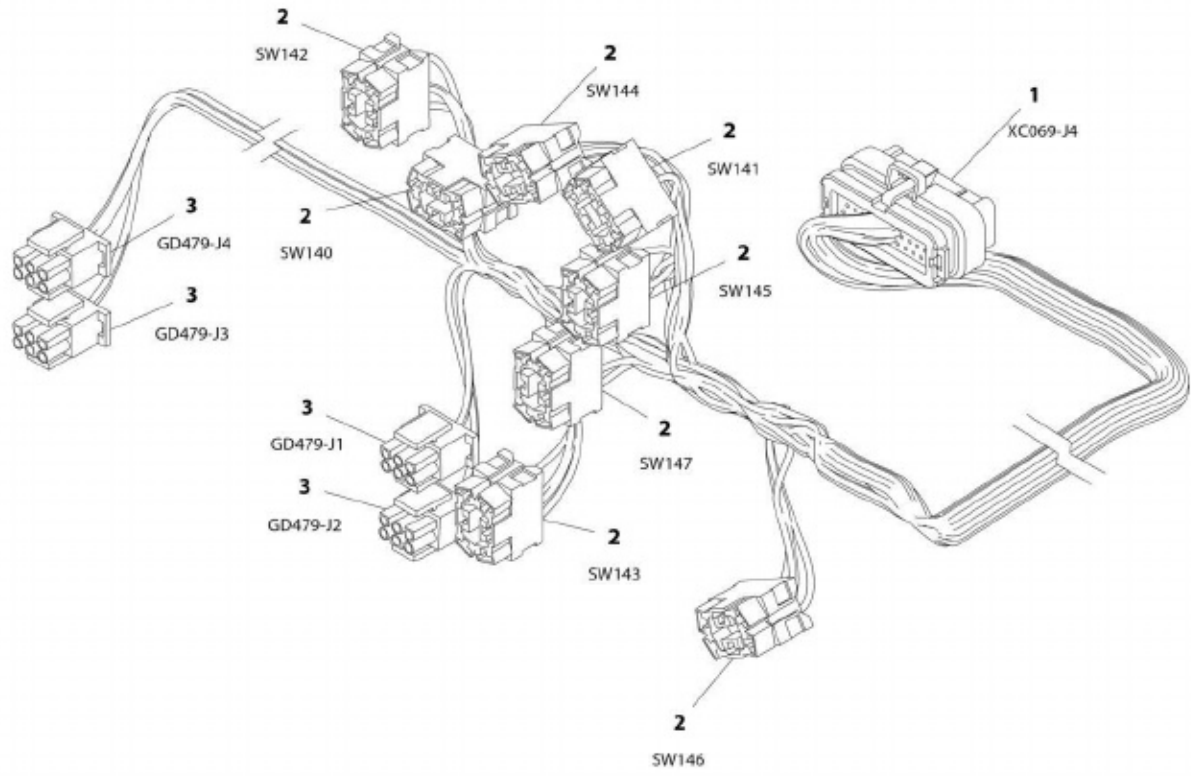
ART_1001181358

FIGURE 8-34. FUEL HARNESS - DEUTZ D2.9L4 ENGINE

ITEM	PART NUMBER	QTY	DESCRIPTION	REV
	1001181358	Ref	FUEL HARNESS - DEUTZ D2.9L4 ENGINE	B
1	4460932	1	Receptacle, Female - 4 Position	
1	4460464	2	Pin, Male	
1	4460941	2	Pin, Male	
2	1001116983	1	Plug, Male - 2 Position	
2	1001116710	2	Socket, Female	
3	4460891	1	Plug, Male - 2 Position	
3	4460942	2	Socket, Female	
4	4460897	1	Receptacle, Female - 2 Position	
4	4460941	2	Pin, Male	
5	4460042	2	Terminal, Ring	

SECTION 8 - ELECTRICAL

FIGURE 8-35. GROUND CONTROL PANEL HARNESS



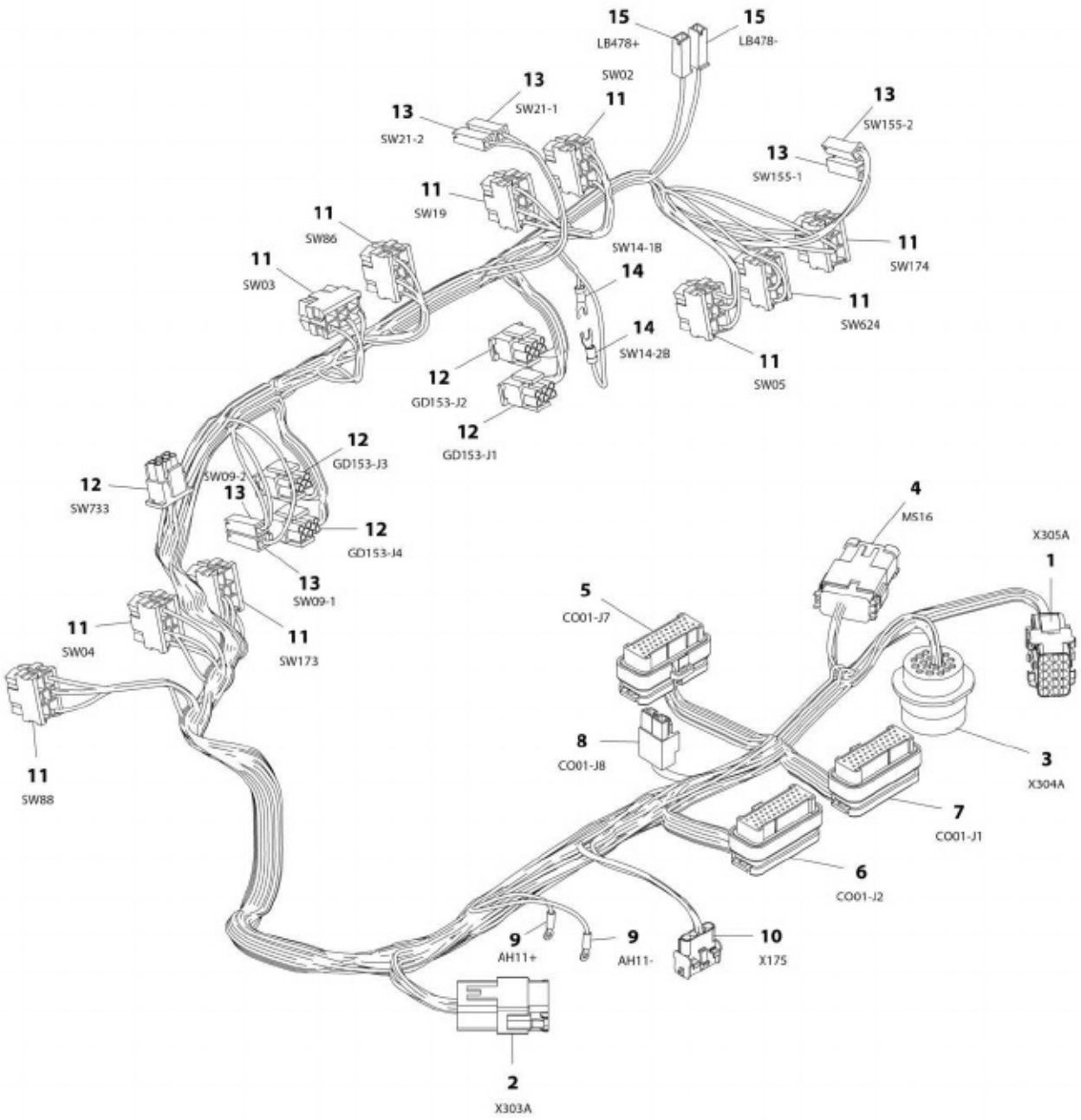
ART_1001164737

FIGURE 8-35. GROUND CONTROL PANEL HARNESS

ITEM	PART NUMBER	QTY	DESCRIPTION	REV
	1001164737	Ref	GROUND CONTROL PANEL HARNESS	D
1	4460876	1	Connector - 35 Position	
1	4460871	27	Socket, Female	
1	4460905	8	Plug, Terminal	
2	4460418	1	Connector - 6 Position	
2	4460419	14	Terminal	
2	1001159186	17	Terminal	
3	4460225	4	Connector - 6 Position	
3	4460226	10	Socket, Female	

SECTION 8 - ELECTRICAL

FIGURE 8-36. PLATFORM CONSOLE BOX HARNESS



ART_1001164353

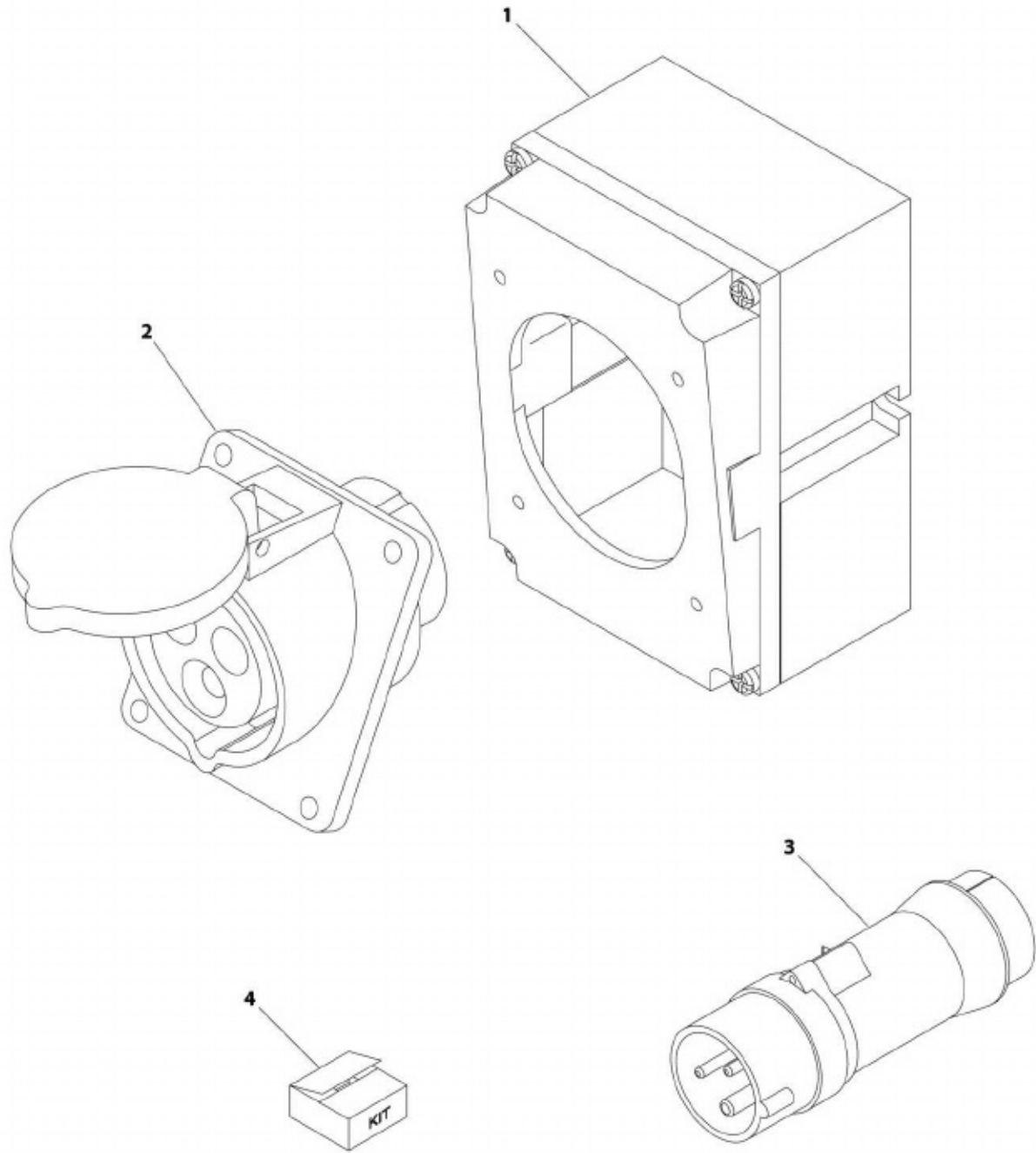
SECTION 8 - ELECTRICAL

FIGURE 8-36. PLATFORM CONSOLE BOX HARNESS

ITEM	PART NUMBER	QTY	DESCRIPTION	REV
	1001164353	Ref	PLATFORM CONSOLE BOX HARNESS	G
1	4460434	1	Connector - 15 Position	
1	4460267	12	Pin, Male	
2	4460970	1	Receptacle, Female - 12 Position	
2	1001116693	11	Pin, Male	
2	4460466	1	Plug, Terminal	
2	4460933	1	Plug, Male - 12 Position	
3	4460866	1	Connector - 19 Position	
3	4460464	7	Pin, Male	
3	4460466	12	Plug, Terminal	
4	4460933	1	Plug, Male - 12 Position	
4	4460465	6	Socket, Female	
4	4460466	6	Plug, Terminal	
4	1001119020	1	Bussbar - 12 Position	
5	4460873	1	Connector - 35 Position	
5	4460871	21	Socket, Female	
5	4460905	14	Plug, Terminal	
6	4460875	1	Connector - 35 Position	
6	4460871	23	Socket, Female	
6	4460905	8	Plug, Terminal	
7	4460874	1	Connector - 35 Position	
7	4460871	25	Socket, Female	
7	4460905	10	Plug, Terminal	
8	4460879	1	Plug, Male - 2 Position	
8	4460887	2	Terminal	
9	1001098122	2	Terminal, Ring	
10	4460761	1	Receptacle, Female - 4 Position	
10	4460267	4	Pin, Male	
11	4460418	10	Connector - 6 Position	
11	4460419	35	Terminal	
11	4460259	6	Terminal (Note: Used only on Fuel Select)	
12	4460225	1	Plug, Male - 6 Position	
12	4460227	5	Pin, Male (Note: Used on Pump Potentiometer Connection Only)	
12	4460226	19	Socket, Female	
13	4460260	6	Housing, Terminal	
13	4460259	8	Terminal	
14	4460183	2	Terminal, Fork	
15	4460260	2	Housing, Terminal (Prior to SN 0300208917)	
15	4460259	2	Terminal (Prior to SN 0300208917)	
15	4460016	2	Terminal, Receptacle (SN 0300208917 to Present)	
15	4460260	2	Housing, Terminal (Prior to SN E300002847)	
15	4460259	2	Terminal (Prior to SN E300002847)	
15	4460016	2	Terminal, Receptacle (SN E300002847 to Present)	

SECTION 8 - ELECTRICAL

FIGURE 8-37. RECEPTACLE BOX KIT - 110V IEC YELLOW (CE SPEC)



ART_0275216

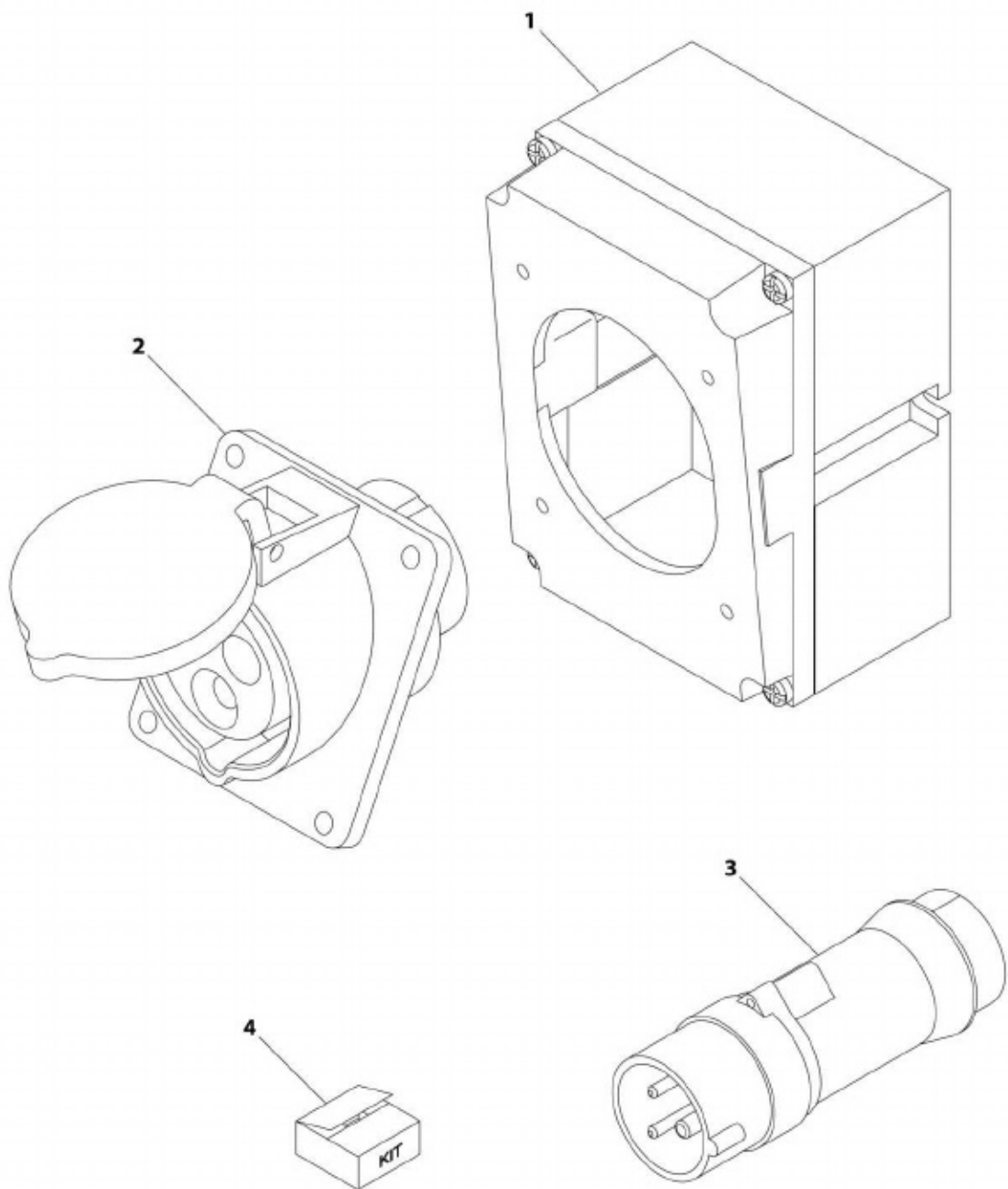
SECTION 8 - ELECTRICAL

FIGURE 8-37. RECEPTACLE BOX KIT - 110V IEC YELLOW (CE SPEC)

ITEM	PART NUMBER	QTY	DESCRIPTION	REV
	0275216	Ref	RECEPTACLE BOX KIT - 110V IEC YELLOW (CE SPEC)	1
1	0861781	1	Box, Switch	
2	4461198	1	Receptacle	
3	4461196	1	Plug, Male	
4	1001100341	1	Plug and Socket Kit (Includes Items 1-3 and Female Plug p/n 4461197)	

SECTION 8 - ELECTRICAL

FIGURE 8-38. RECEPTACLE BOX KIT - 220V IEC BLUE (CE SPEC)



ART_0275217

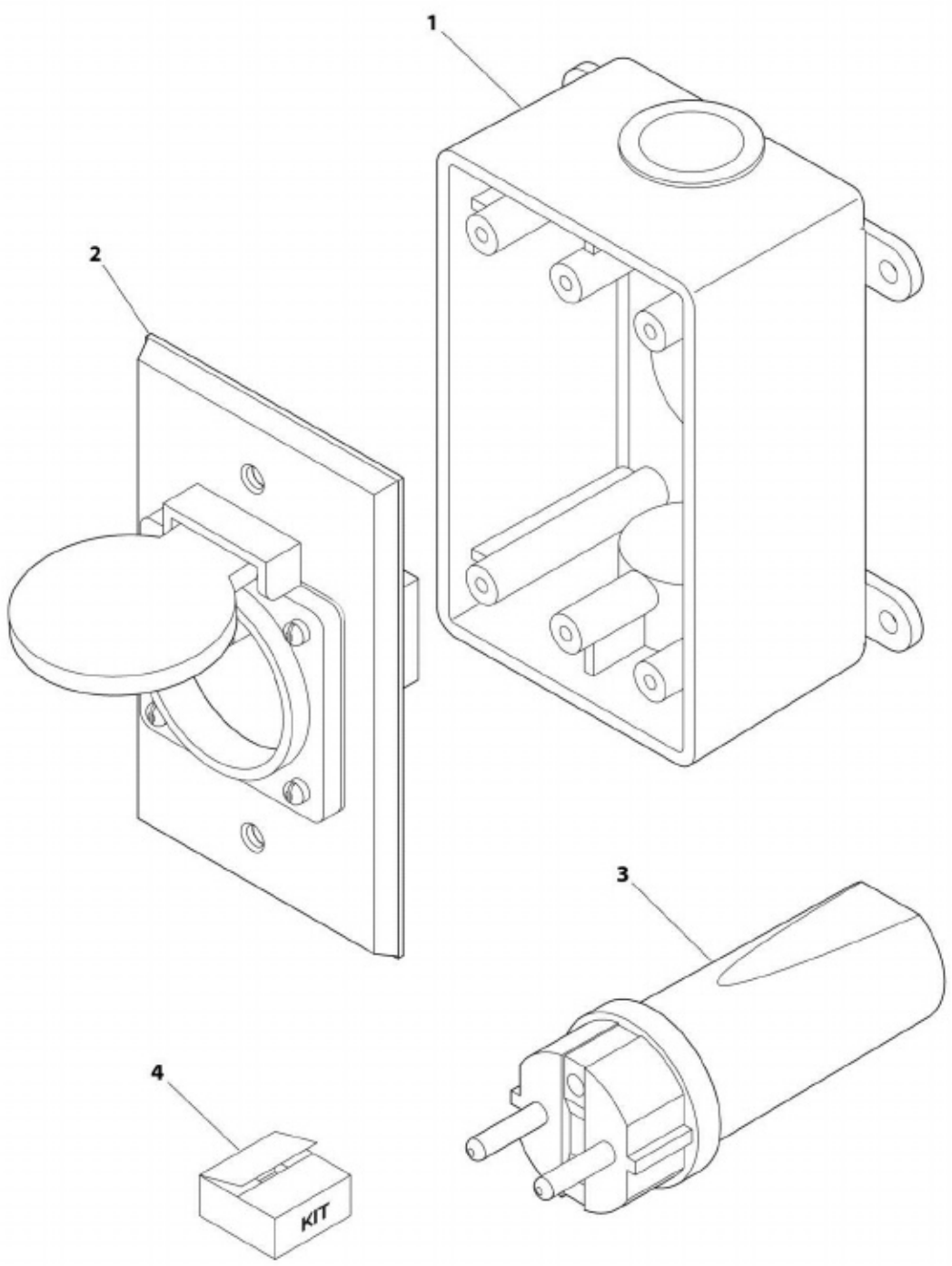
SECTION 8 - ELECTRICAL

FIGURE 8-38. RECEPTACLE BOX KIT - 220V IEC BLUE (CE SPEC)

ITEM	PART NUMBER	QTY	DESCRIPTION	REV
	0275217	Ref	RECEPTACLE BOX KIT - 220V IEC BLUE (CE SPEC)	1
1	0861781	1	Box, Switch	
2	4461201	1	Receptacle	
3	4461199	1	Plug, Male	
4	1001100342	1	Plug and Socket Kit (Includes Items 1-3 and Female Plug p/n 4461200)	

SECTION 8 - ELECTRICAL

FIGURE 8-39. RECEPTACLE BOX KIT - 220V CEE7 POST GROUND 2IN X 4IN BOX (CE SPEC)



ART_0275452

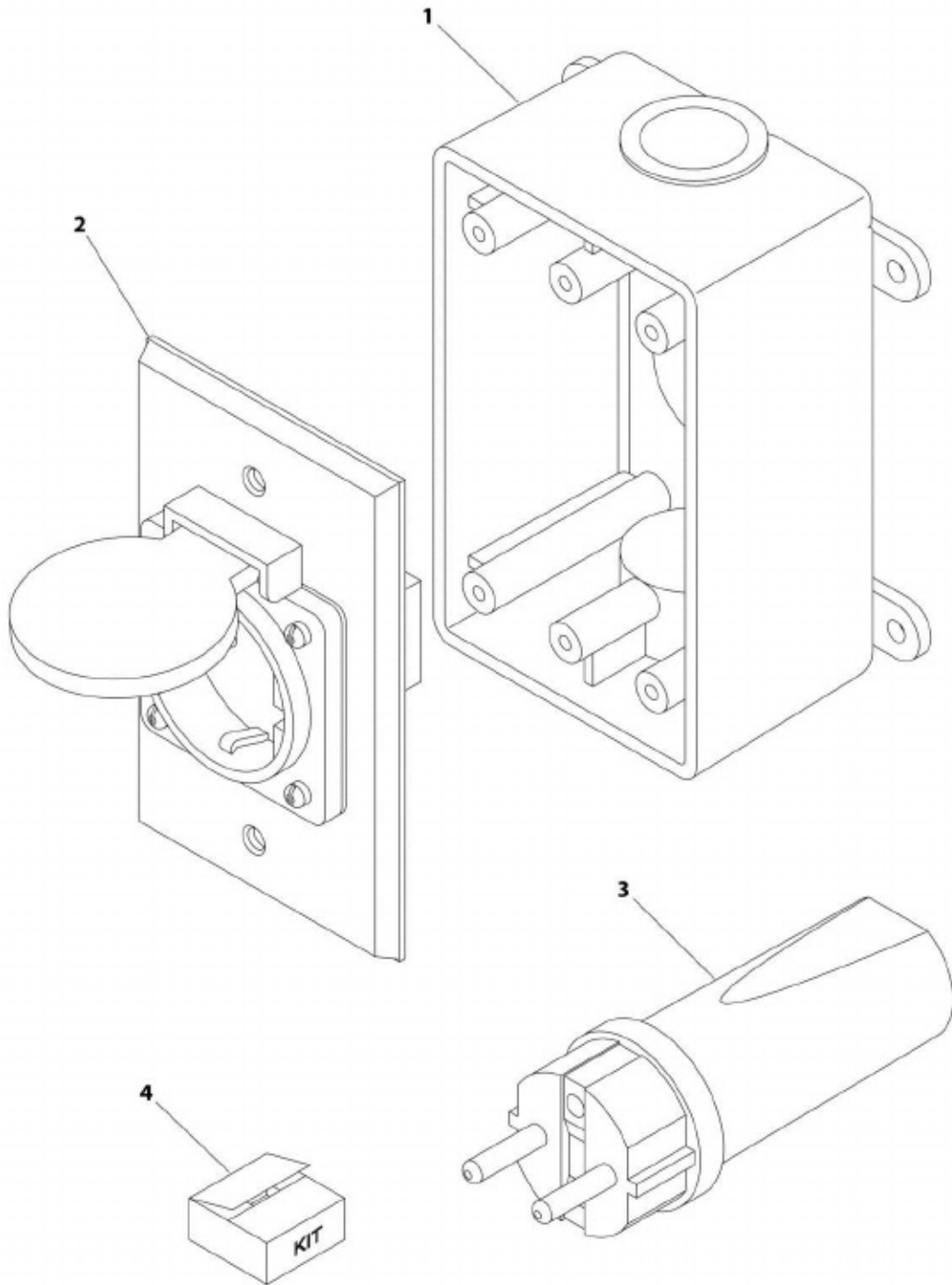
SECTION 8 - ELECTRICAL

FIGURE 8-39. RECEPTACLE BOX KIT - 220V CEE7 POST GROUND 2IN X 4IN BOX (CE SPEC)

ITEM	PART NUMBER	QTY	DESCRIPTION	REV
	0275452	Ref	RECEPTACLE BOX KIT - 220V CEE7 POST GROUND 2IN X 4IN BOX (CE SPEC)	1
1	0861731	1	Box, Switch	
2	4461244	1	Receptacle	
3	4461202	1	Plug, Male	
4	1001100345	1	Plug and Socket Kit (Includes Items 1-3 and Female Plug p/n 4461206)	

SECTION 8 - ELECTRICAL

FIGURE 8-40. RECEPTACLE BOX KIT - 220V CEE7 SIDE GROUND 2IN X 4IN BOX (CE SPEC)



ART_0275453

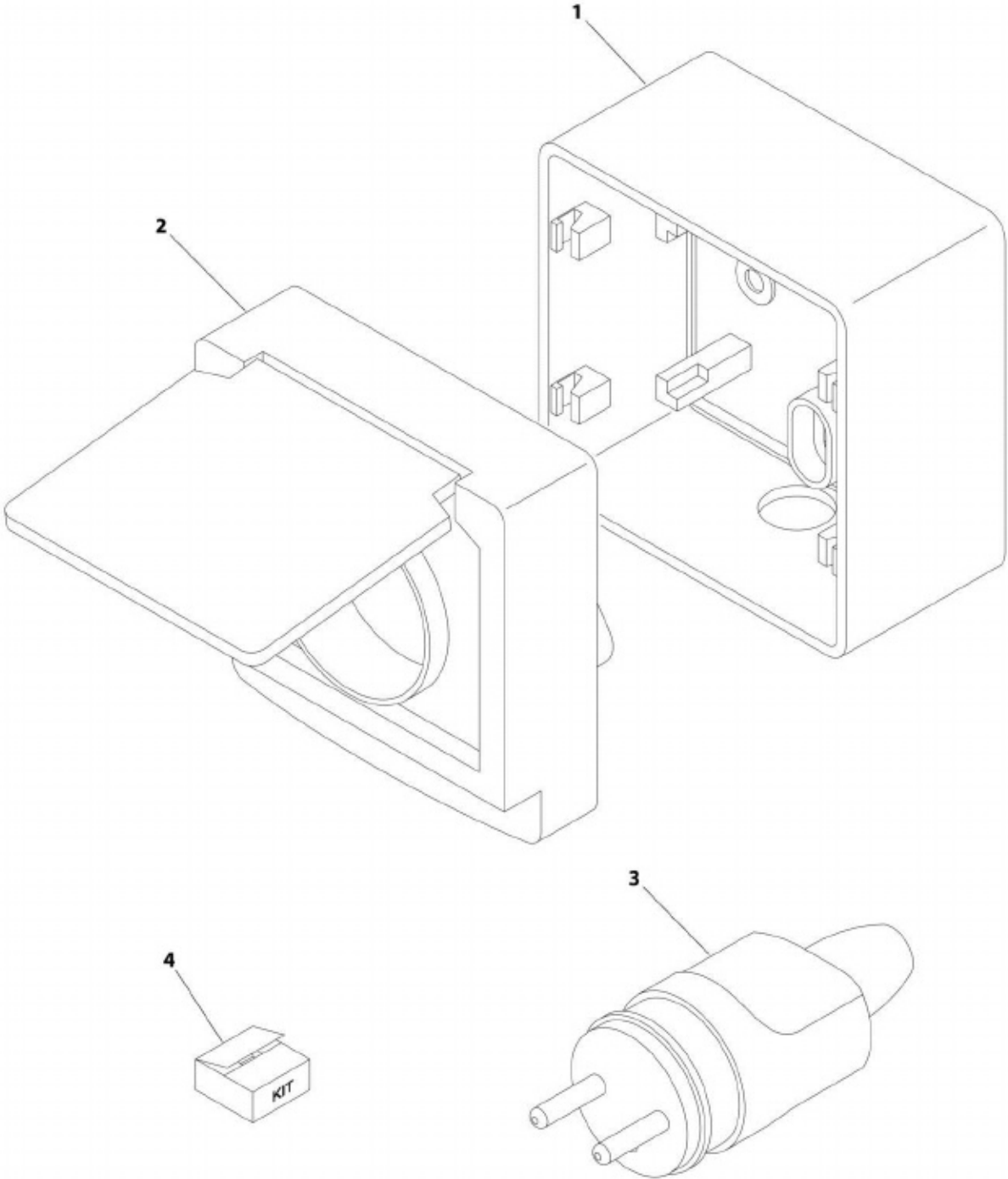
SECTION 8 - ELECTRICAL

FIGURE 8-40. RECEPTACLE BOX KIT - 220V CEE7 SIDE GROUND 2IN X 4IN BOX (CE SPEC)

ITEM	PART NUMBER	QTY	DESCRIPTION	REV
	0275453	Ref	RECEPTACLE BOX KIT - 220V CEE7 SIDE GROUND 2IN X 4IN BOX (CE SPEC)	1
1	0861731	1	Box, Switch	
2	4461245	1	Receptacle	
3	4461205	1	Plug, Male	
4	1001100347	1	Plug and Socket Kit (Includes Items 1-3 and Female Plug p/n 4461206)	

SECTION 8 - ELECTRICAL

FIGURE 8-41. RECEPTACLE BOX KIT - 220V CEE7 POST GROUND 70MM X 70MM BOX (CE SPEC)



ART_0275218

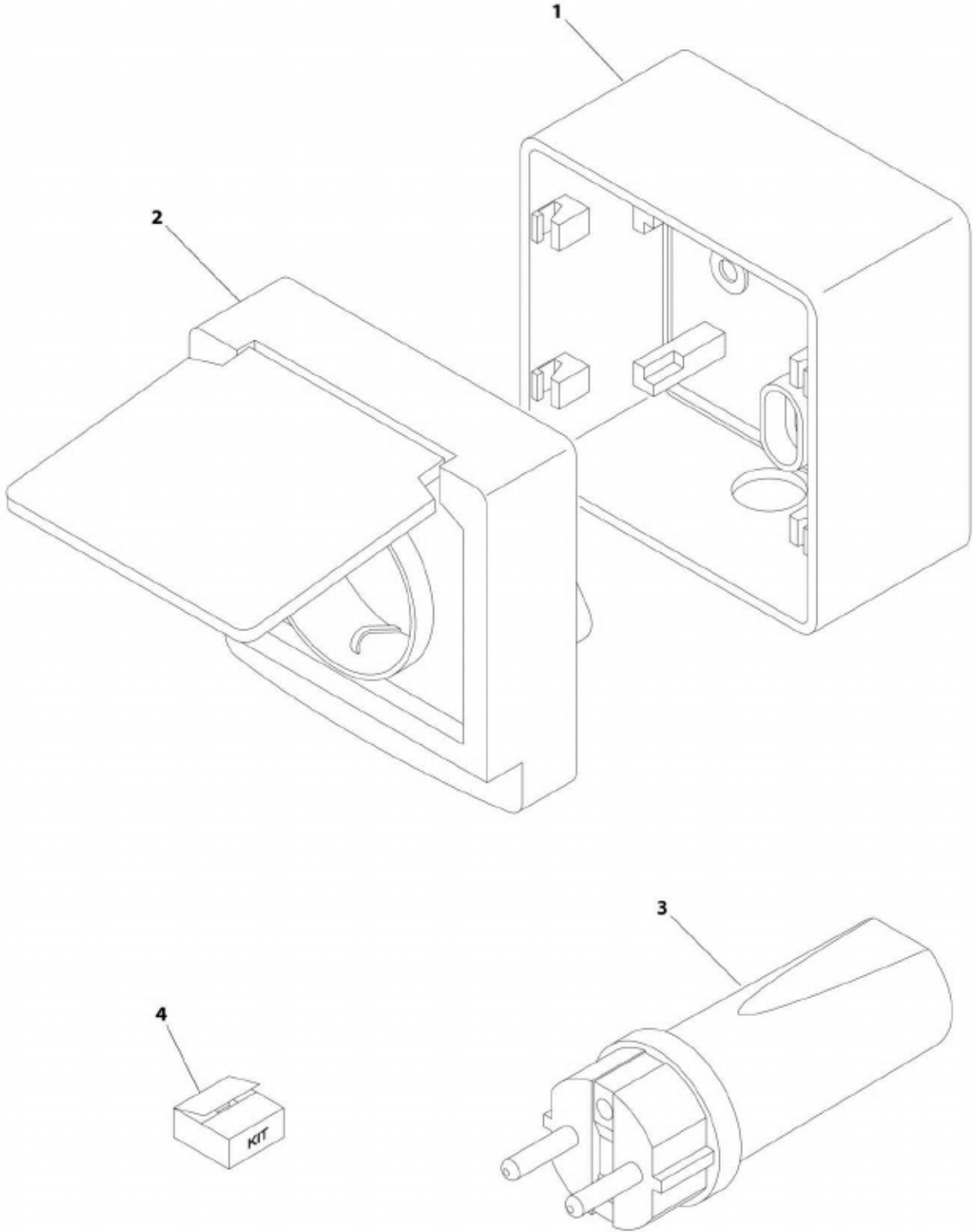
SECTION 8 - ELECTRICAL

FIGURE 8-41. RECEPTACLE BOX KIT - 220V CEE7 POST GROUND 70MM X 70MM BOX (CE SPEC)

ITEM	PART NUMBER	QTY	DESCRIPTION	REV
	0275218	Ref	RECEPTACLE BOX KIT - 220V CEE7 POST GROUND 70MM X 70MM BOX (CE SPEC)	B
1	1001141967	1	Box, Switch	
2	1001141968	1	Receptacle	
3	4461202	1	Plug, Male	
4	1001141971	1	Plug and Socket Kit (Includes Items 1-3 and Female Plug p/n 4461206)	

SECTION 8 - ELECTRICAL

FIGURE 8-42. RECEPTACLE BOX KIT - 220V CEE7 SIDE GROUND 70MM X 70MM BOX (CE SPEC)



ART_0275219

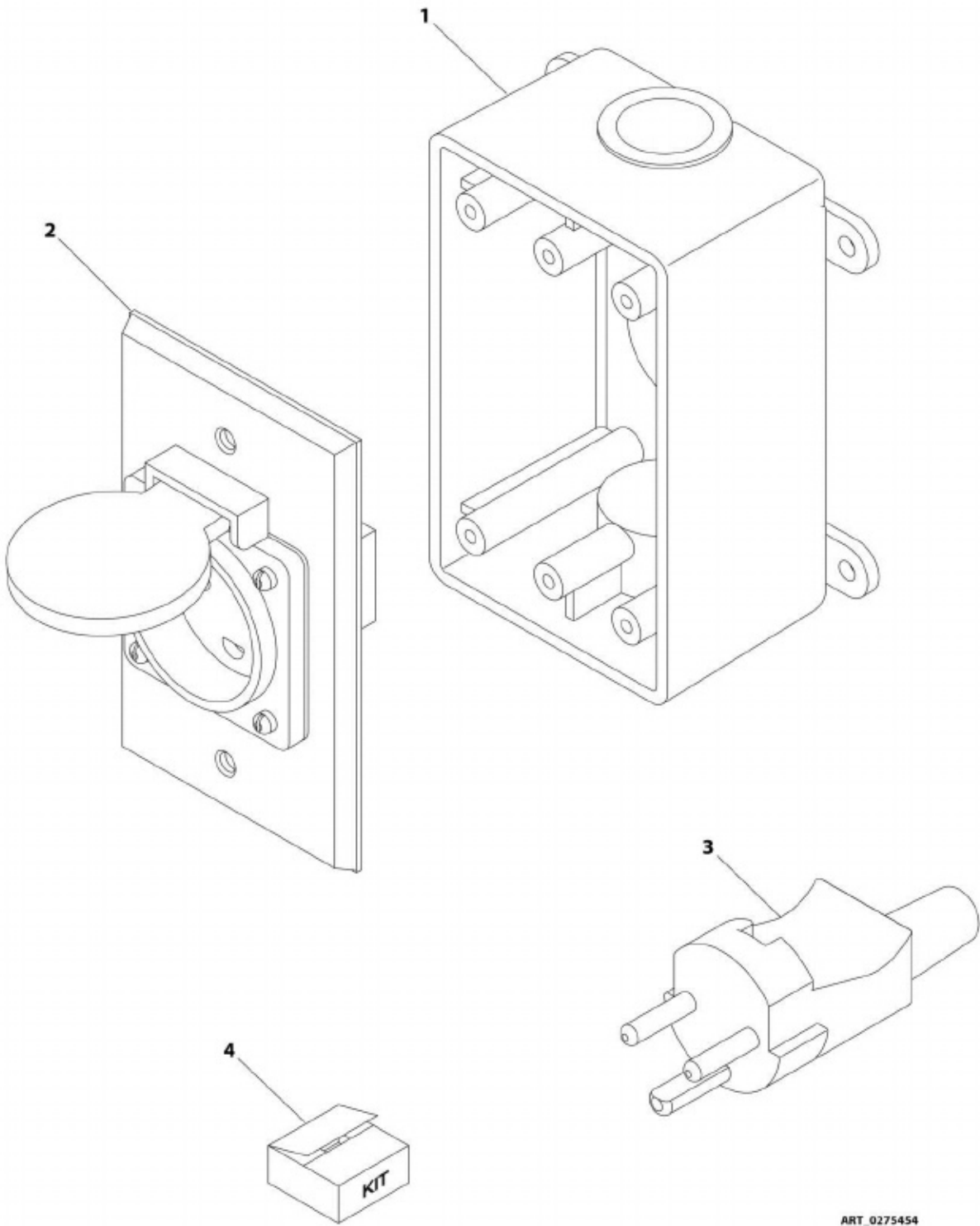
SECTION 8 - ELECTRICAL

FIGURE 8-42. RECEPTACLE BOX KIT - 220V CEE7 SIDE GROUND 70MM X 70MM BOX (CE SPEC)

ITEM	PART NUMBER	QTY	DESCRIPTION	REV
	0275219	Ref	RECEPTACLE BOX KIT - 220V CEE7 SIDE GROUND 70MM X 70MM BOX (CE SPEC)	B
1	1001141967	1	Box, Switch	
2	1001141969	1	Receptacle	
3	4461205	1	Plug, Male	
4	1001141970	1	Plug and Socket Kit (Includes Items 1-3 and Female Plug p/n 4461206)	

SECTION 8 - ELECTRICAL


FIGURE 8-43. RECEPTACLE BOX KIT - 220V AFSINT 107 (CE SPEC)



ART_0275454

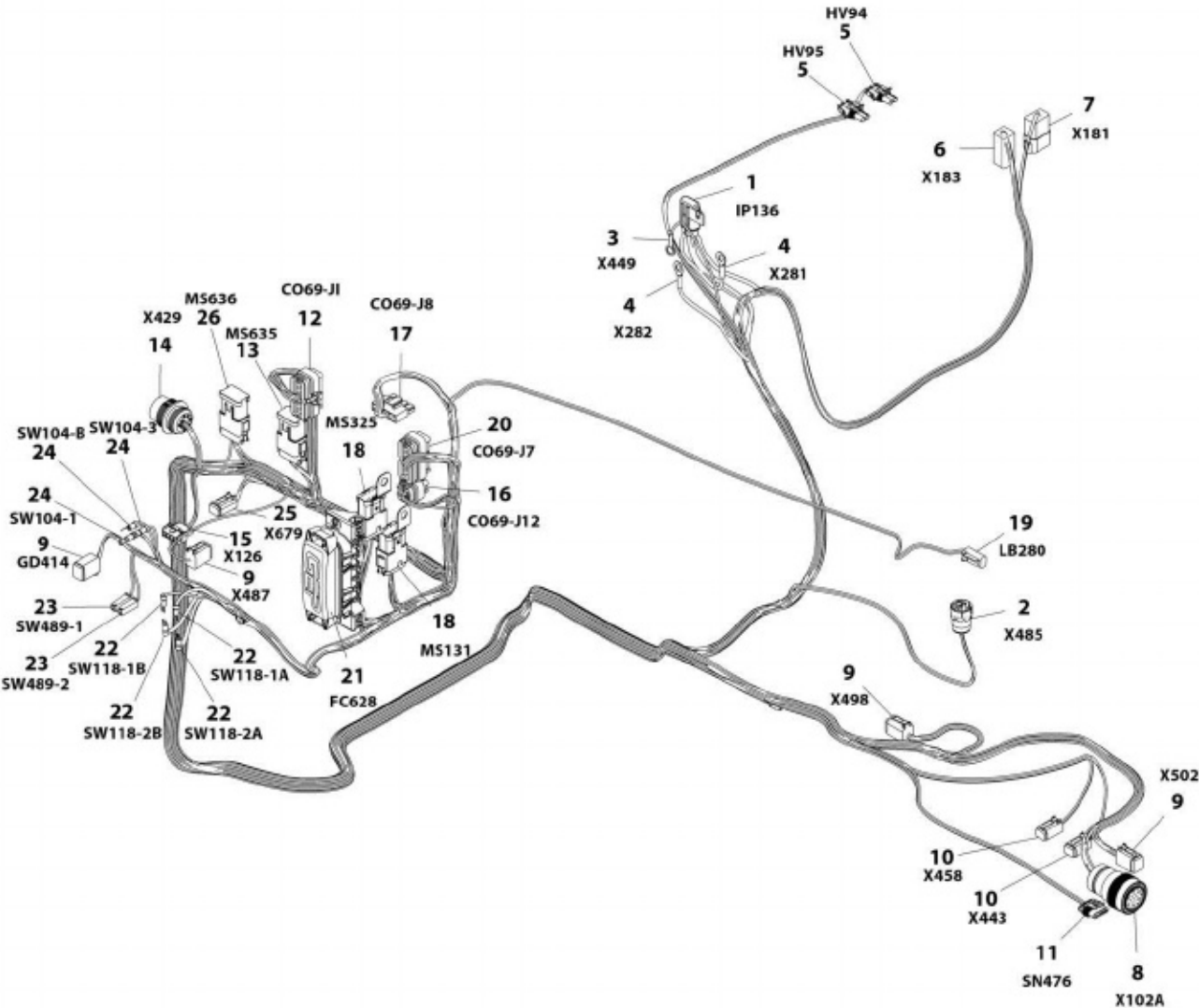
SECTION 8 - ELECTRICAL

FIGURE 8-43. RECEPTACLE BOX KIT - 220V AFSINT 107 (CE SPEC)

 ITEM	PART NUMBER	QTY	DESCRIPTION	REV
	0275454	Ref	RECEPTACLE BOX KIT - 220V AFSINT 107 (CE SPEC)	1
1	0861731	1	Box, Switch	
2	4461246	1	Receptacle	
3	4461249	1	Plug, Male	
4	1001100346	1	Plug and Socket Kit (Includes Items 1-3 and Female Plug p/n 4461250)	

SECTION 8 - ELECTRICAL

FIGURE 8-44. TURNTABLE HARNESS



ART_1001186007

SECTION 8 - ELECTRICAL

FIGURE 8-44. TURNTABLE HARNESS

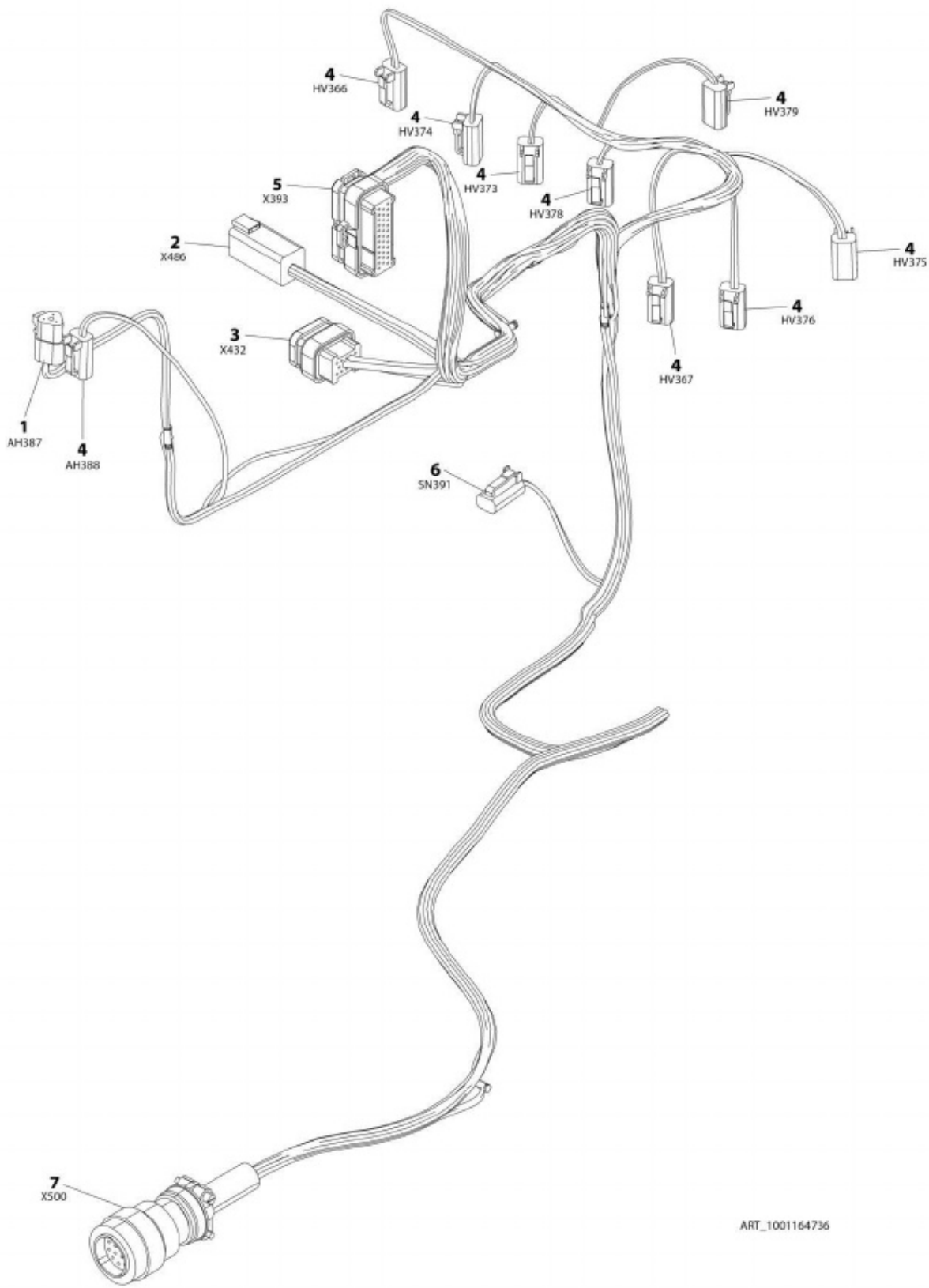
ITEM	PART NUMBER	QTY	DESCRIPTION	REV
	1001186007	Ref	TURNTABLE HARNESS	H
1	1001117070	1	Fuseholder with 30Amp Fuse	
1	See Note	1	Fuse 30Amp (Note: Not Available - Purchase Locally)	
2	4460967	1	Connector - 3 Position	
2	4460465	3	Socket, Female	
3	4460247	1	Terminal, Ring	
4	8220045	2	Terminal, Ring	
5	4460742	2	Plug, Male - 2 Position	
5	4460743	4	Socket, Female	
5	4460458	4	Seal, Terminal	
6	4460899	1	Receptacle, Female - 6 Position	
6	4460464	3	Pin, Male	
6	4460943	2	Pin, Male	
6	4460466	1	Plug, Terminal	
7	4460931	1	Receptacle, Female	
7	4460464	3	Pin, Male	
7	4460466	5	Plug, Terminal	
8	4460865	1	Connector - 19 Position	
8	4460465	6	Socket, Female	
8	4460509	2	Socket, Female	
8	4460466	11	Plug, Terminal	
8	1321647	1	Clamp (SN 0300213177 to Present, SN E300003057 to Present)	
9	4460894	4	Plug, Male - 6 Position	
9	4460465	15	Socket, Female	
9	4460944	2	Socket, Female (Gold)	
9	4460466	7	Plug, Terminal	
10	4460884	2	Plug, Male - 4 Position	
10	4460465	4	Socket, Female	
10	4460466	4	Plug, Terminal	
11	1001103012	1	Connector - 4 Position	
11	1001107854	4	Socket, Female	
11	1001116763	4	Seal, Terminal (SN 0300199221 through 0300211573, SN E300000001 through E300003057)	
11	1001104498	4	Seal, Terminal (SN 0300211574 to Present, SN E300003058 to Present)	
12	4460874	1	Connector - 35 Position	
12	4460871	18	Socket, Female	
12	4460905	17	Plug, Terminal	
13	4460836	1	Connector - 12 Position	
13	4460465	7	Socket, Female	
13	4460466	5	Plug, Terminal	
13	4460837	2	Bussbar - 12 Position	
14	1001112612	1	Connector - 9 Position	
14	4460464	3	Pin, Male	
14	4460943	2	Pin, Male (Gold)	
14	4460466	4	Plug, Terminal	
15	4460761	1	Receptacle, Female - 4 Position	
15	4460267	4	Pin, Male	
16	1001113961	1	Plug, Male - 8 Position	
16	4460871	5	Socket, Female	

SECTION 8 - ELECTRICAL

ITEM	PART NUMBER	QTY	DESCRIPTION	REV
16	4460905	3	Plug, Terminal	
17	4460878	1	Plug, Male - 4 Position	
17	4460887	4	Terminal	
18	4460933	2	Plug, Male - 12 Position	
18	4460465	14	Socket, Female	
18	4460466	10	Plug, Terminal	
18	1001119020	2	Bussbar - 12 Position	
18	1001120328	2	Clip, Mounting	
19	4460891	1	Plug, Male - 2 Position	
19	4460465	2	Socket, Female	
20	4460873	1	Connector - 35 Position	
20	4460871	22	Socket, Female	
20	4460905	13	Plug, Terminal	
21	1001185964	1	Fuse Box Assembly	
21	8229244	2	Fuse 15Amp	
21	8229242	4	Fuse 5Amp	
21	1001129285	2	Fuse with Diode	
21	1001095704	1	Relay	
22	4460806	4	Terminal, Fork	
23	4460260	2	Housing, Terminal	
23	4460259	2	Terminal	
24	4460042	3	Terminal, Ring	
25	4460884	1	Plug, Male - 4 Position (SN 0300204894 to Present)	
25	4460465	4	Socket, Female (SN 0300204894 to Present)	
26	4460836	1	Connector - 12 Position	
26	4460465	4	Socket, Female	
26	4460466	7	Plug, Terminal	
26	1001157890	1	Socket, Female	
26	4460837	1	Bussbar - 12 Position	

SECTION 8 - ELECTRICAL

FIGURE 8-45. VALVE HARNESS - MAIN VALVE



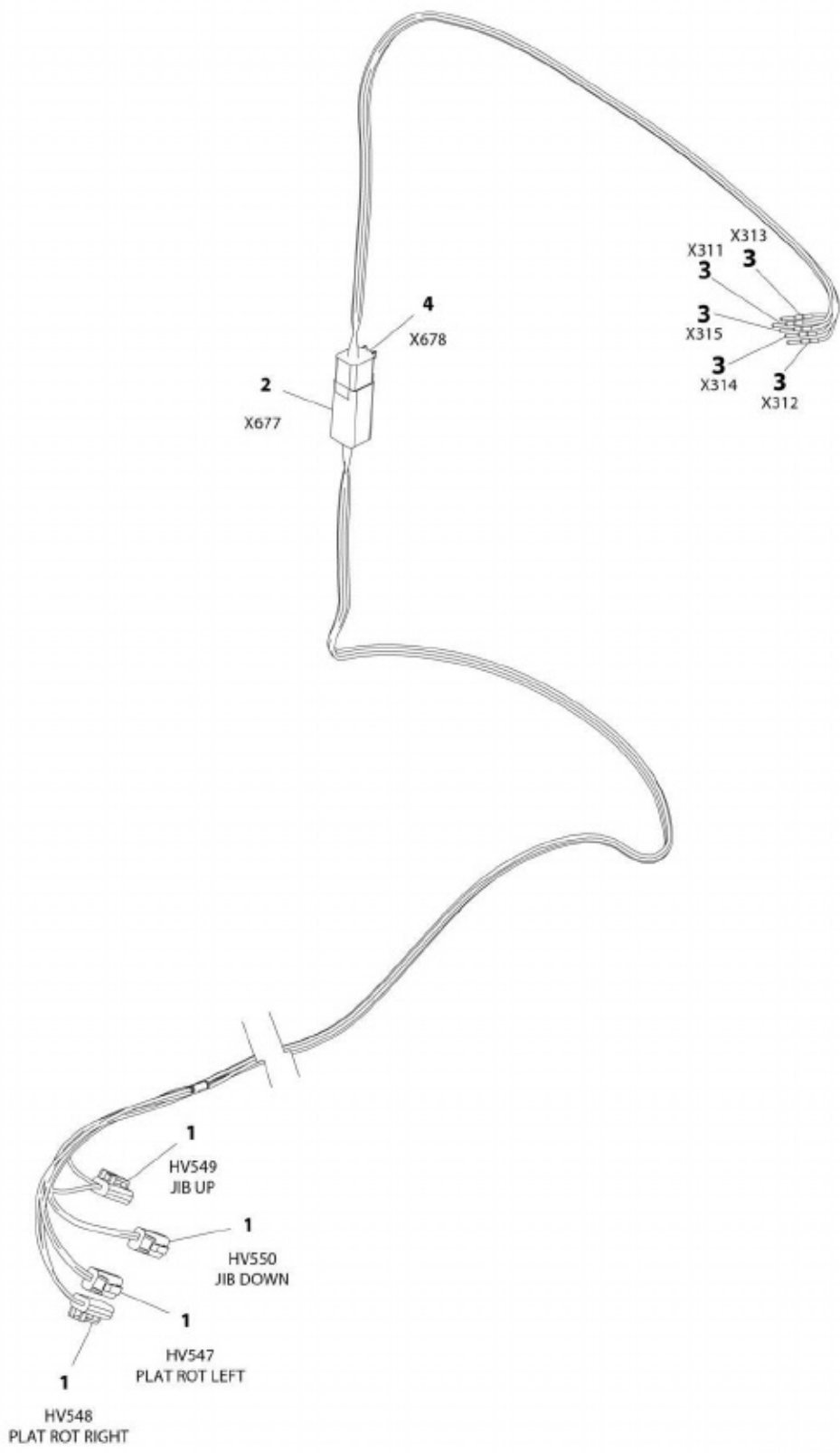
ART_1001164736

FIGURE 8-45. VALVE HARNESS - MAIN VALVE

ITEM	PART NUMBER	QTY	DESCRIPTION	REV
	1001164736	Ref	VALVE HARNESS - MAIN VALVE	E
1	4460539	1	Plug, Male - 3 Position	
1	4460465	3	Socket, Female	
2	4460899	1	Receptacle, Female - 6 Position	
2	4460464	5	Pin, Male	
2	4460466	1	Plug, Terminal	
3	4460872	1	Connector - 13 Position	
3	4460871	9	Socket, Female	
3	4460905	4	Plug, Terminal	
4	4460891	9	Plug, Male - 2 Position	
4	4460465	18	Socket, Female	
5	4460875	1	Connector - 35 Position	
5	4460871	25	Socket, Female	
5	4460905	10	Plug, Terminal	
6	4460424	1	Plug, Male - 2 Position	
6	4460268	2	Socket, Female	
7	4460754	1	Connector - 14 Position	
7	4460465	13	Socket, Female	
7	4460466	1	Plug, Terminal	

SECTION 8 - ELECTRICAL

FIGURE 8-46. VALVE HARNESS - PLATFORM VALVE



ART_1001164728

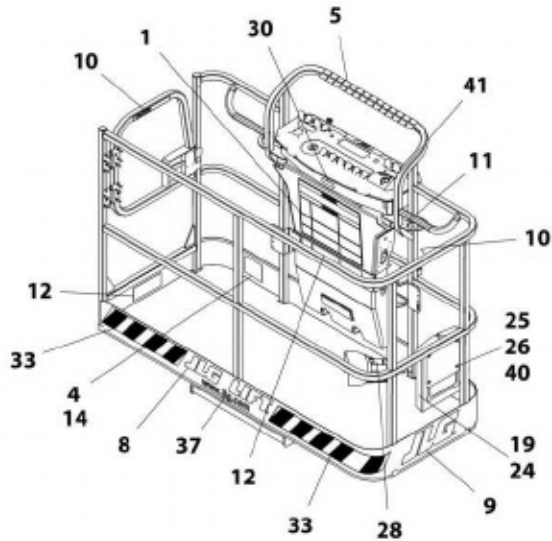
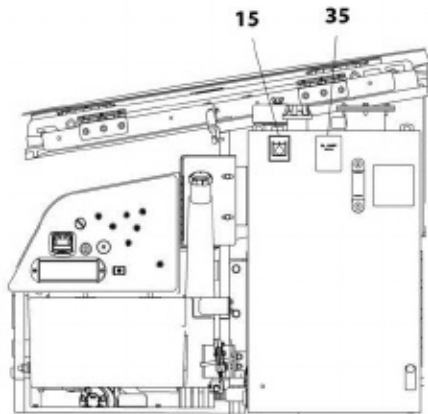
FIGURE 8-46. VALVE HARNESS - PLATFORM VALVE

ITEM	PART NUMBER	QTY	DESCRIPTION	REV
	1001164728	Ref	VALVE HARNESS - PLATFORM VALVE	D
1	4460891	4	Plug, Male - 2 Position	
1	4460465	8	Socket, Female	
2	4460899	1	Receptacle, Female - 6 Position	
2	4460464	5	Pin, Male	
2	4460466	1	Plug, Terminal	
3	4460465	5	Socket, Female	
4	4460894	1	Plug, Male - 6 Position	
4	4460465	5	Socket, Female	
4	4460466	1	Plug, Terminal	

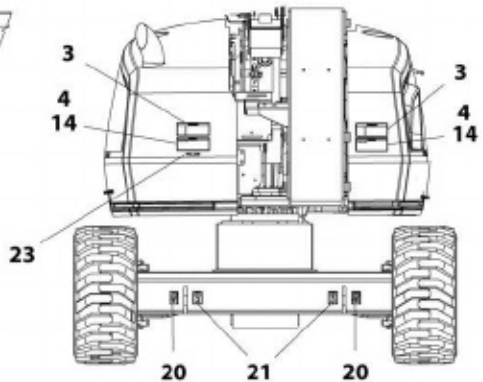
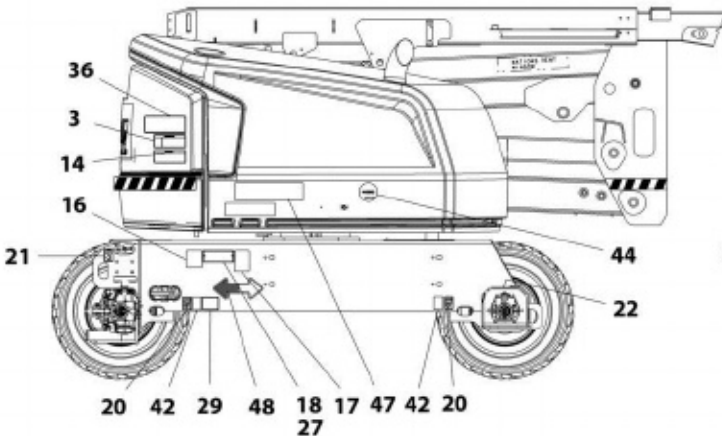
SECTION 9 - DECAL

SECTION 9 - DECAL

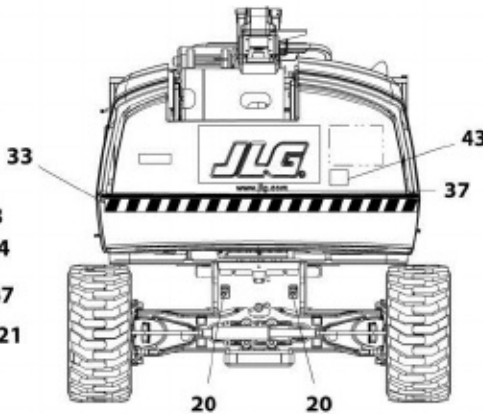
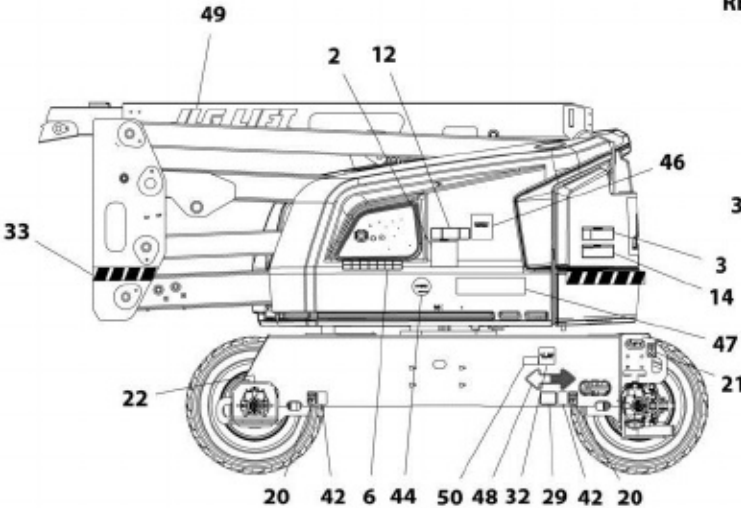
FIGURE 9-1. DECAL INSTALLATION - ANSI AND ANSI EXPORT SPECS (ENGLISH)



NOTE: SOME DECALS ARE CALLED OUT ON OPTIONAL DECALS INSTALLATION.



NOTE: ITEMS SHOWN MAY NOT BE REQUIRED FOR ALL SPECS. REFER TO PARTS LIST FOR USAGE.



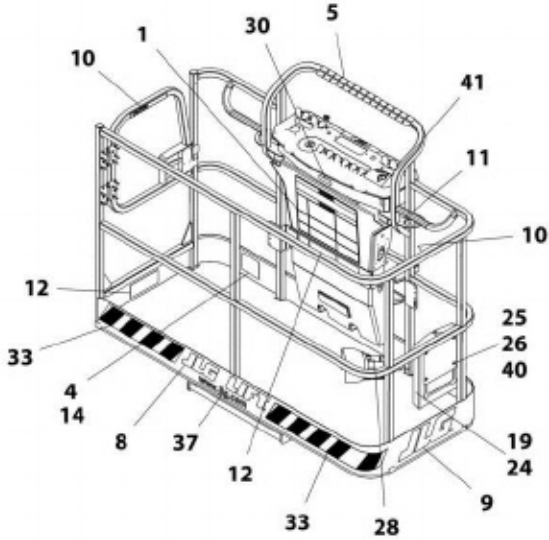
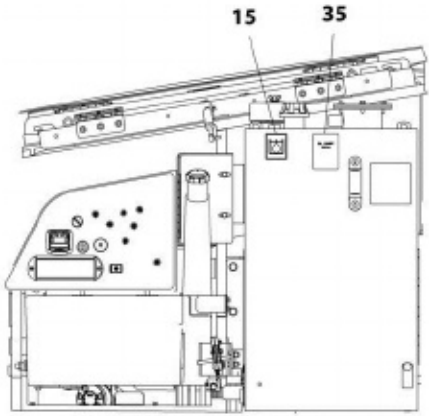
ART_1001169157

FIGURE 9-1. DECAL INSTALLATION - ANSI AND ANSI EXPORT SPECS (ENGLISH)

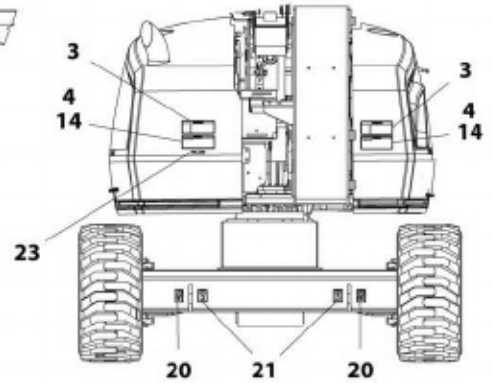
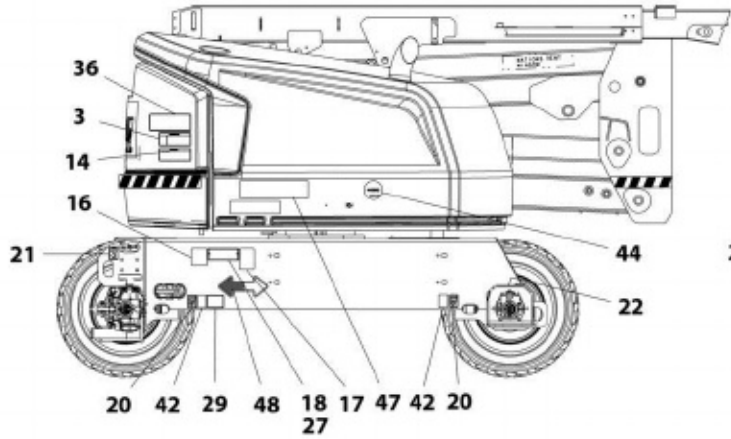
ITEM	PART NUMBER	QTY	DESCRIPTION	REV
	1001169157	Ref	DECAL INSTALLATION - REFERENCE CHART	G
	1001162521	Ref	DECAL INSTALLATION - ANSI AND ANSI EXPORT SPECS (ENGLISH)	E
1	1703797	1	Decal - Danger/Warning	
2	1705336	1	Decal - Danger/Warning	
3	1703805	4	Decal - Danger/Electrocution	
4	1703804	4	Decal - Warning/Crushing	
5	1001173262	1	Decal - Legend	
6	1706941	1	Decal - Legend	
10	1702868	2	Decal - No Hands	
11	1704277	2	Decal - Attach Lanyard Here	
12	1001162416	3	Decal - Max Capacity	
14	1703953	2	Decal - Warning/Crushing	
15	1701504	1	Decal - Hydraulic Oil	
16	See Note	NSS	Decal - Bar Code (Note: Not Available for Purchase)	
17	1001131269	1	Decal - Patent	
19	1701509	1	Decal - Manual	
20	1702300	8	Decal - Tie Down /Lift	
21	1701500	4	Decal - Tie Down /Lift	
22	1703687	2	Decal - Arrow	
23	3251243	1	Nameplate 120V-60Hz	
24	0860520	1	Box, Manual Storage	
25	4751400	4	Washer, 1/4	
26	3311405	4	Nut, Lock 1/4-20	
27	3820001	2	Rivet	
28	3252347	1	Decal - Footswitch	
30	1705514	1	Decal - CSA	
35	1704412	1	Decal - Hydraulic Fluid	
36	1001172217	1	Decal - Lift Diagram	
37	1704885	2	Decal - Website	
40	0641406	4	Bolt, 1/4-20 x 3/4	
41	1705351	1	Decal - Drive/Steer	
42	1701499	4	Decal - Tie Down /Lift	
43	3251813	1	Decal - USA	
48	1701529	2	Decal - Arrow	

SECTION 9 - DECAL

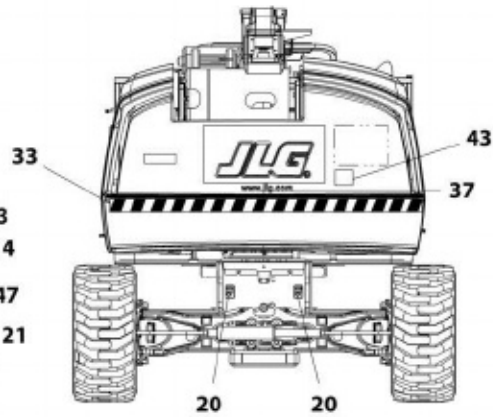
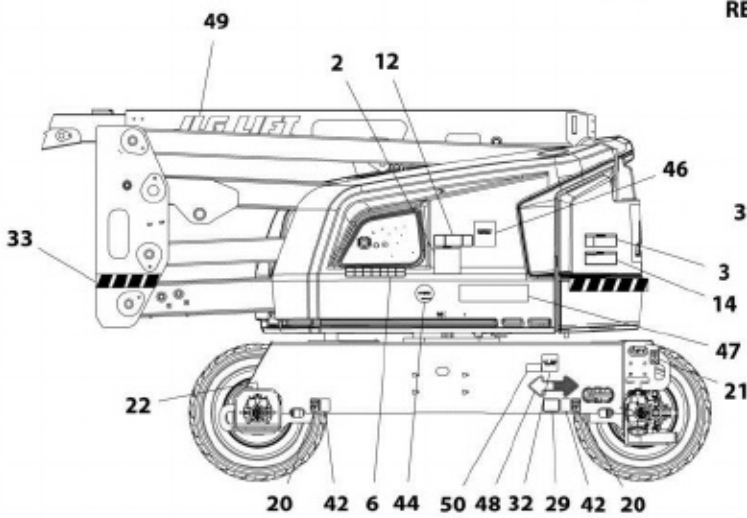
FIGURE 9-2. DECAL INSTALLATION - AUSTRALIAN SPEC (ENGLISH)



NOTE: SOME DECALS ARE CALLED OUT ON OPTIONAL DECALS INSTALLATION.



NOTE: ITEMS SHOWN MAY NOT BE REQUIRED FOR ALL SPECS. REFER TO PARTS LIST FOR USAGE.



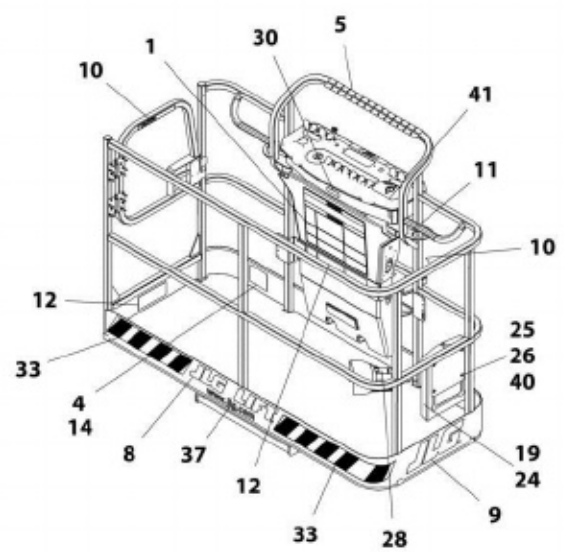
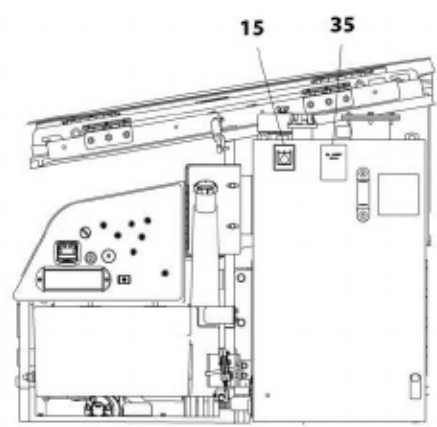
ART_1001169157

FIGURE 9-2. DECAL INSTALLATION - AUSTRALIAN SPEC (ENGLISH)

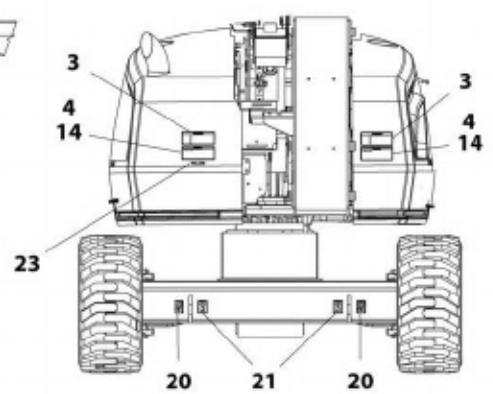
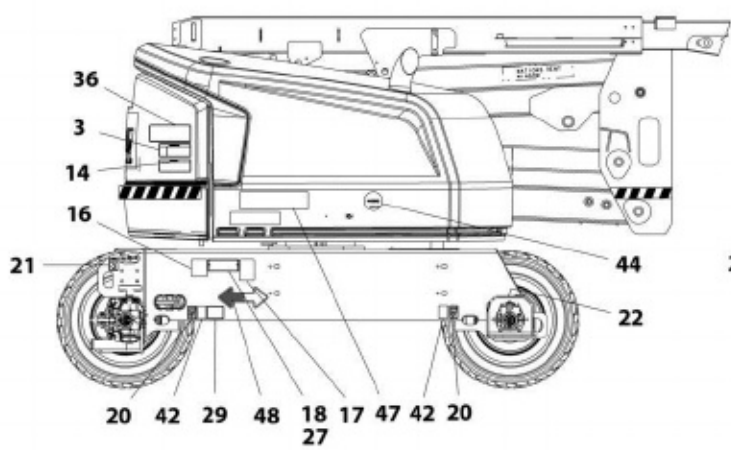
ITEM	PART NUMBER	QTY	DESCRIPTION	REV
	1001169157	Ref	DECAL INSTALLATION - REFERENCE CHART	G
	1001162522	Ref	DECAL INSTALLATION - AUSTRALIAN SPEC (ENGLISH)	E
1	1001162429	1	Decal - Tipping/Electrocution	
2	1705822	1	Decal - Electrocution/Safety Manual	
3	1705961	4	Decal - Danger Electrocution	
11	1704277	2	Decal - Attach Lanyard Here	
12	1001190913	1	Decal - Max Capacity	
14	1701518	6	Decal - Warning/Crushing	
15	1701504	1	Decal - Hydraulic Oil	
16	See Note	NSS	Decal - Bar Code (Note: Not Available for Purchase)	
19	1701509	1	Decal - Manual	
20	1702300	8	Decal - Tie Down /Lift	
21	1701500	4	Decal - Tie Down /Lift	
22	1703687	2	Decal - Arrow	
23	3251242	1	Decal - 240V / 50Hz (SN 0300199221 through 0300213428, SN E300000001 through E300003038)	
24	0860520	1	Box, Manual Storage	
25	4751400	4	Washer, 1/4	
26	3311405	4	Nut, Lock 1/4-20	
27	3820001	4	Rivet	
28	1705828	1	Decal - Footswitch	
35	1704412	1	Decal - Hydraulic Fluid	
36	1001172217	1	Decal - Lift Diagram	
37	1704885	2	Decal - Website	
40	0641406	4	Bolt, 1/4-20 x 3/4	
42	1701499	4	Decal - No Tie Down/Lift	
46	1001112551	1	Decal - Emergency Controls	
48	1701529	2	Decal - Arrow	

SECTION 9 - DECAL

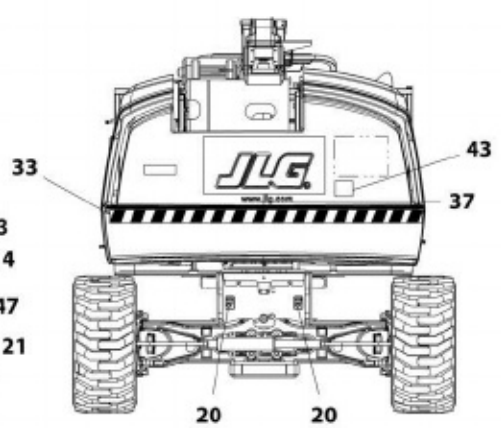
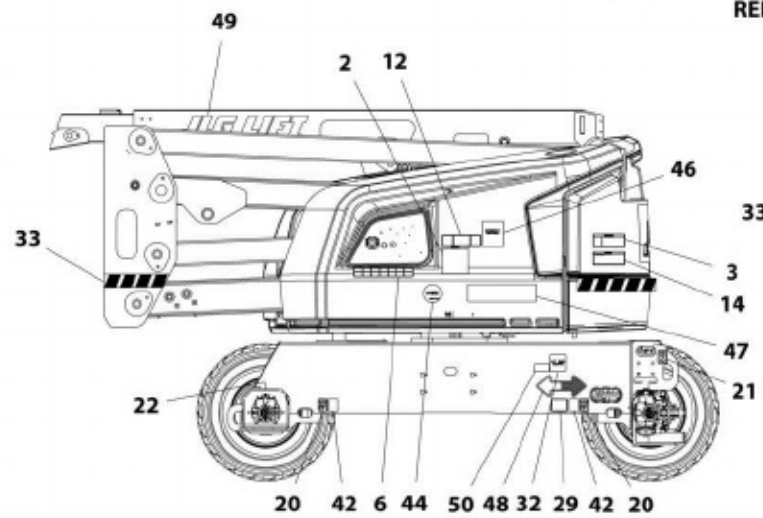
FIGURE 9-3. DECAL INSTALLATION - BRAZIL SPEC (ENGLISH)



NOTE: SOME DECALS ARE CALLED OUT ON OPTIONAL DECALS INSTALLATION.



NOTE: ITEMS SHOWN MAY NOT BE REQUIRED FOR ALL SPECS. REFER TO PARTS LIST FOR USAGE.



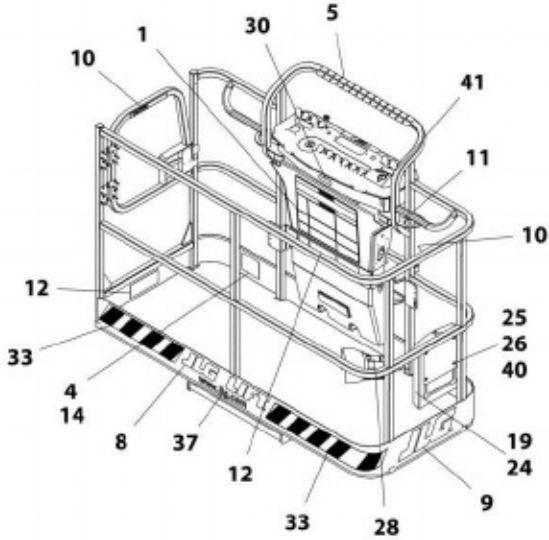
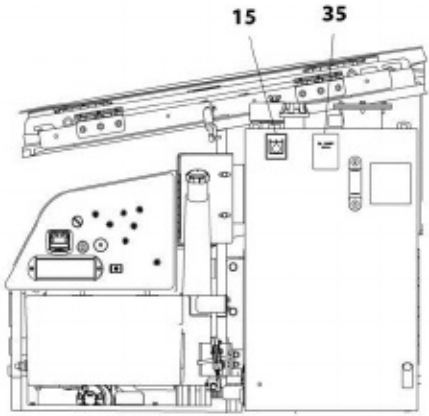
ART_1001169157

FIGURE 9-3. DECAL INSTALLATION - BRAZIL SPEC (ENGLISH)

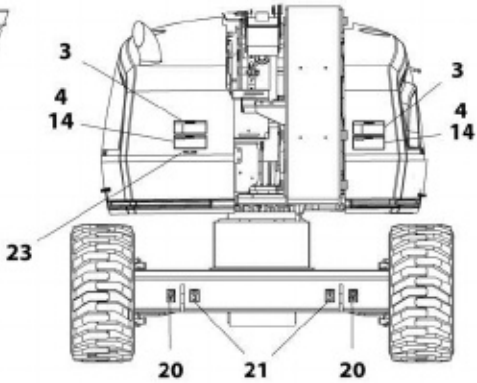
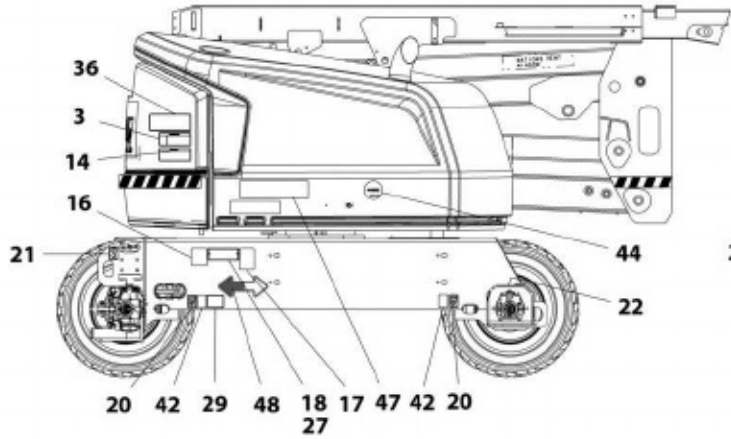
ITEM	PART NUMBER	QTY	DESCRIPTION	REV
	1001169157	Ref	DECAL INSTALLATION - REFERENCE CHART	G
	1001162527	Ref	DECAL INSTALLATION - BRAZIL SPEC (ENGLISH)	D
1	1703928	1	Decal - Danger/Warning	
2	1705349	1	Decal - Warning Inspection	
3	1703940	4	Decal - Danger Electrocution	
4	1703952	4	Decal - Warning/Crushing	
10	1704002	2	Decal - No Hands	
11	1704277	2	Decal - Attach Lanyard	
12	1001162426	3	Decal - Max Capacity	
14	1705903	2	Decal - Warning/Crushing	
15	1701504	1	Decal - Hydraulic Oil	
16	See Note	NSS	Decal - Bar Code (Note: Not Available for Purchase)	
19	1701509	1	Decal - Manual	
20	1702300	8	Decal - Tie Down /Lift	
21	1701500	4	Decal - Tie Down /Lift	
22	1703687	2	Decal - Arrow	
23	3251243	1	Decal - 120V-60Hz	
24	0860520	1	Box, Manual Storage	
25	4751400	4	Washer, 1/4	
26	3311405	4	Nut, Lock 1/4-20	
27	3820001	4	Rivet	
28	1703985	1	Decal, Foot Switch	
35	1704412	1	Decal - Hydraulic Fluid	
36	1001172217	1	Decal - Lift Diagram	
37	1704885	2	Decal - Website	
40	0641406	4	Bolt, 1/4-20 x 3/4	
41	1705905	1	Decal - Drive/Steer	
42	1701499	4	Decal - No Tie Down/Lift	
43	3251813	1	Decal - USA	
45	1704008	1	Decal - Inspection (Not Shown)	
48	1701529	2	Decal - Arrow	

SECTION 9 - DECAL

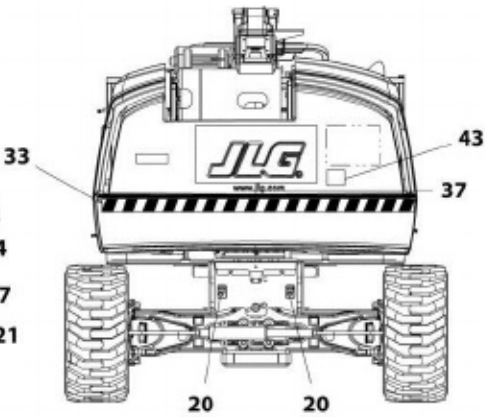
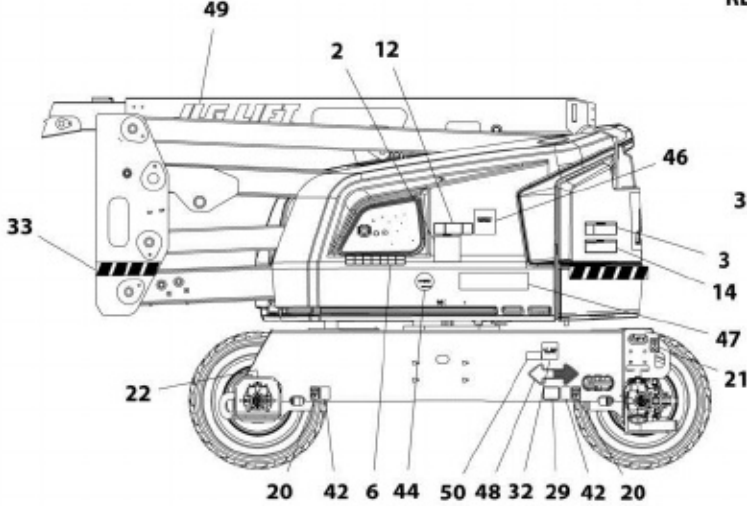
FIGURE 9-4. DECAL INSTALLATION - CE SPEC (ENGLISH)



NOTE: SOME DECALS ARE CALLED OUT ON OPTIONAL DECALS INSTALLATION.



NOTE: ITEMS SHOWN MAY NOT BE REQUIRED FOR ALL SPECS. REFER TO PARTS LIST FOR USAGE.



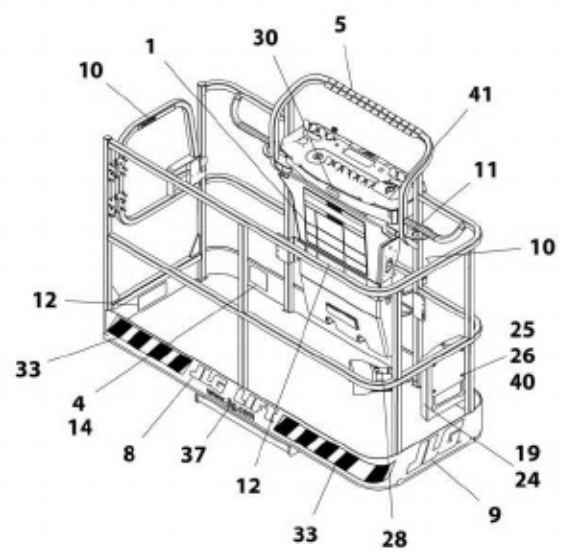
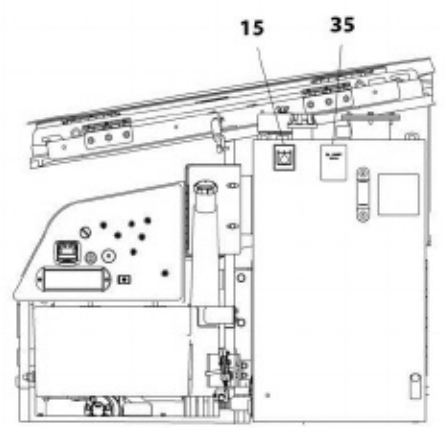
ART_1001169157

FIGURE 9-4. DECAL INSTALLATION - CE SPEC (ENGLISH)

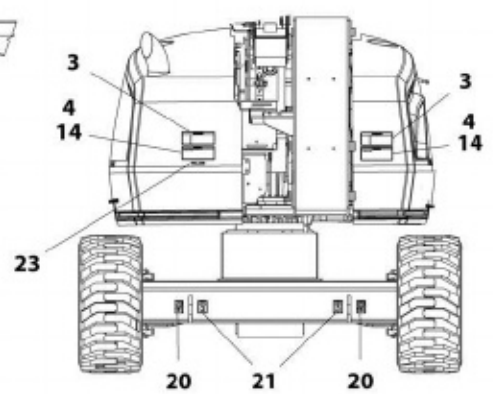
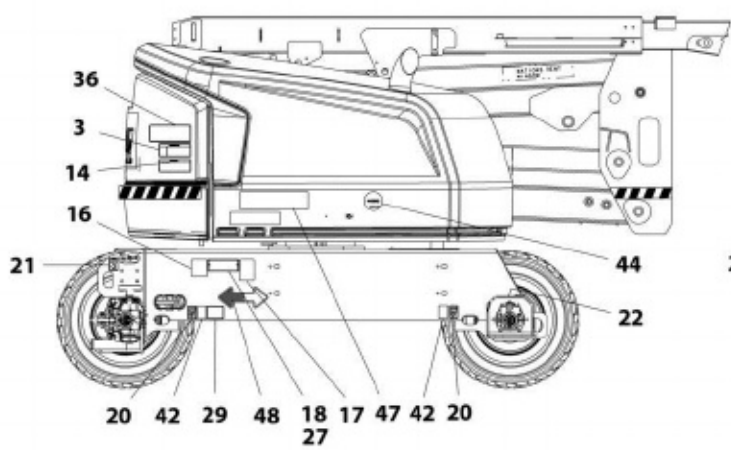
ITEM	PART NUMBER	QTY	DESCRIPTION	REV
	1001169157	Ref	DECAL INSTALLATION - REFERENCE CHART	G
	1001162528	Ref	DECAL INSTALLATION - CE SPEC (ENGLISH)	F
1	1001162429	1	Decal - Tipping/Electrocution	
2	1705822	1	Decal - Electrocution/Safety Manual	
3	1705961	4	Decal - Danger Electrocution	
11	1704277	2	Decal - Attach Lanyard Here	
12	1001190913	1	Decal - Max Capacity	
14	1701518	6	Decal - Warning/Crushing	
15	1701504	1	Decal - Hydraulic Oil	
16	See Note	NSS	Decal - Bar Code (Note: Not Available for Purchase)	
19	1701509	1	Decal - Manual	
20	1702300	8	Decal - Tie Down /Lift	
21	1701500	4	Decal - Tie Down /Lift	
22	1703687	2	Decal - Arrow	
24	0860520	1	Box, Manual Storage	
25	4751400	4	Washer, 1/4	
26	3311405	4	Nut, Lock 1/4-20	
27	3820001	4	Rivet	
28	1705828	1	Decal - Footswitch	
35	1704412	1	Decal - Hydraulic Fluid	
36	1001172217	1	Decal - Lift Diagram	
37	1704885	2	Decal - Website	
40	0641406	4	Bolt, 1/4-20 x 3/4	
42	1701499	4	Decal - No Tie Down/Lift	
43	1705084	1	Decal - Sound Power Level (Prior to SN 0300211853, Prior to SN E300002974)	
43	1001204510	1	Decal - Sound Power Level (SN 0300211853 to Present, SN E300002974 to Present)	
46	1001189882	1	Decal - MSSO	
48	1701529	2	Decal - Arrow	

SECTION 9 - DECAL

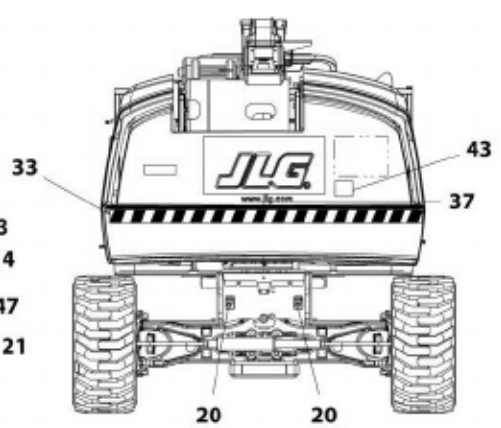
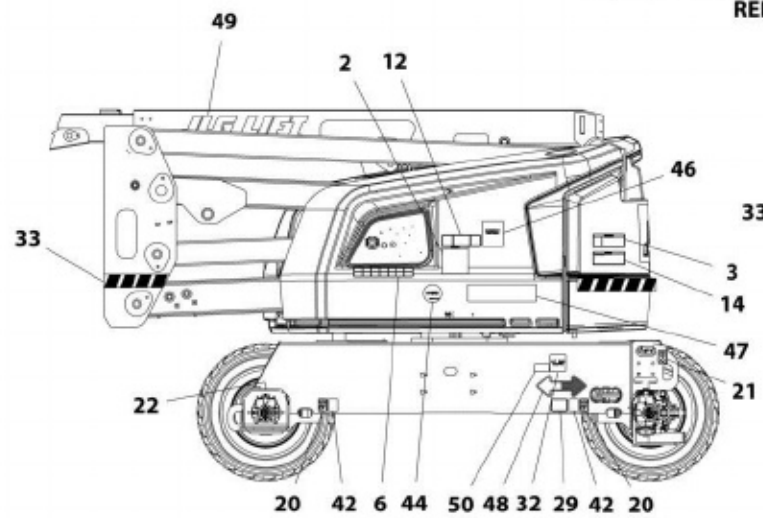
FIGURE 9-5. DECAL INSTALLATION - CSA SPEC (FRENCH/ENGLISH)



NOTE: SOME DECALS ARE CALLED OUT ON OPTIONAL DECALS INSTALLATION.



NOTE: ITEMS SHOWN MAY NOT BE REQUIRED FOR ALL SPECS. REFER TO PARTS LIST FOR USAGE.



ART_1001169157

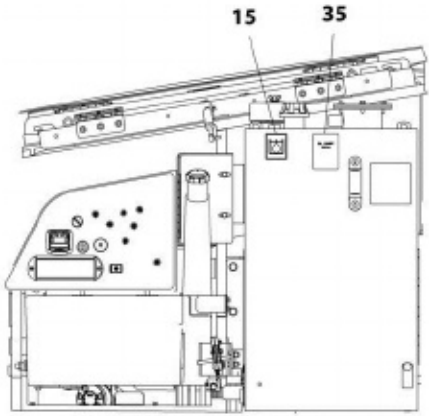
SECTION 9 - DECAI

FIGURE 9-5. DECAL INSTALLATION - CSA SPEC (FRENCH/ENGLISH)

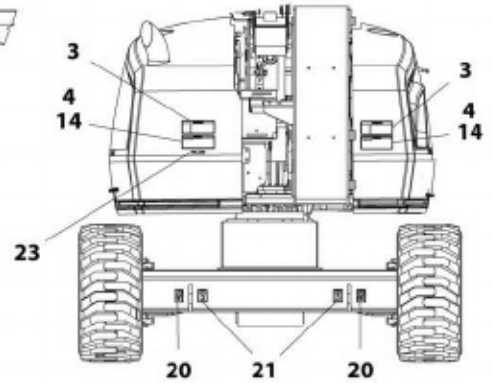
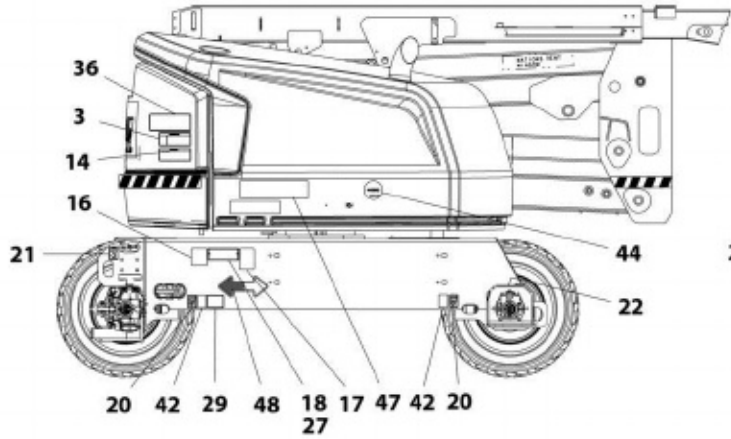
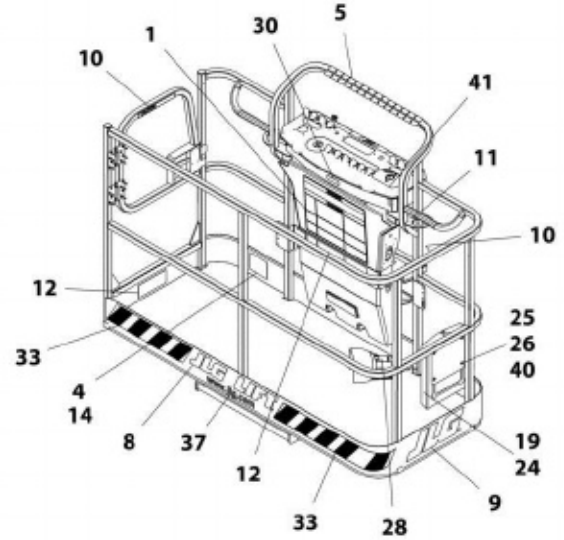
ITEM	PART NUMBER	QTY	DESCRIPTION	REV
	1001169157	Ref	DECAL INSTALLATION - REFERENCE CHART	G
	1001162525	Ref	DECAL INSTALLATION - CSA SPEC (FRENCH/ENGLISH)	B
1	1703924	1	Decal - Danger/Warning	
2	1705347	1	Decal - Warning Inspection	
3	1703936	4	Decal - Danger Electrocution	
4	1703948	4	Decal - Warning/Crushing	
5	1001173262	1	Decal - Legend	
6	1706941	1	Decal - Legend	
10	1704000	2	Decal - No Hands	
11	1704277	2	Decal - Attach Lanyard	
12	1001162422	3	Decal - Max Capacity	
14	1703942	2	Decal - Warning/Crushing	
15	1701504	1	Decal - Hydraulic Oil	
16	See Note	NSS	Decal - Bar Code (Note: Not Available for Purchase)	
17	1001131269	1	Decal - Patent	
19	1701509	1	Decal - Manual	
20	1702300	8	Decal - Tie Down /Lift	
21	1701500	4	Decal - Tie Down /Lift	
22	1703687	2	Decal - Arrow	
23	3251243	1	Decal - 120V-60Hz	
24	0860520	1	Box, Manual Storage	
25	4751400	4	Washer, 1/4	
26	3311405	4	Nut, Lock 1/4-20	
27	3820001	4	Rivet	
28	1703984	1	Decal - Footswitch	
30	1705514	1	Decal - CSA	
35	1704412	1	Decal - Hydraulic Fluid	
36	1001172217	1	Decal - Lift Diagram	
37	1704885	2	Decal - Website	
40	0641406	4	Bolt, 1/4-20 x 3/4	
41	1705429	1	Decal - Drive/Steer	
42	1701499	4	Decal - No Tie Down/Lift	
43	3251813	1	Decal - USA	
48	1701529	2	Decal - Arrow	

SECTION 9 - DECAL

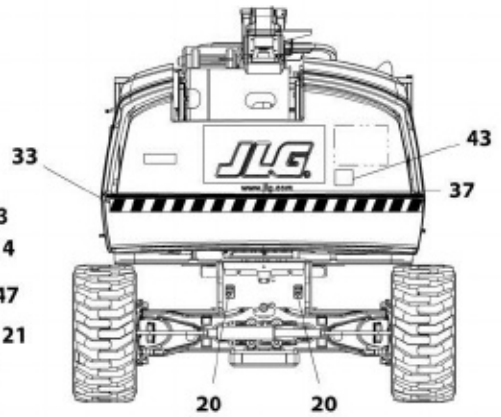
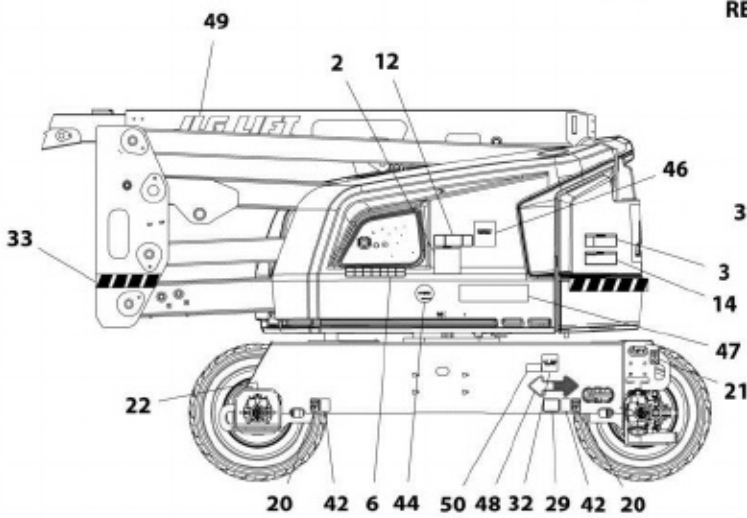
FIGURE 9-6. DECAL INSTALLATION - CHINESE SPEC (CHINESE/ENGLISH)



NOTE: SOME DECALS ARE CALLED OUT ON OPTIONAL DECALS INSTALLATION.



NOTE: ITEMS SHOWN MAY NOT BE REQUIRED FOR ALL SPECS. REFER TO PARTS LIST FOR USAGE.



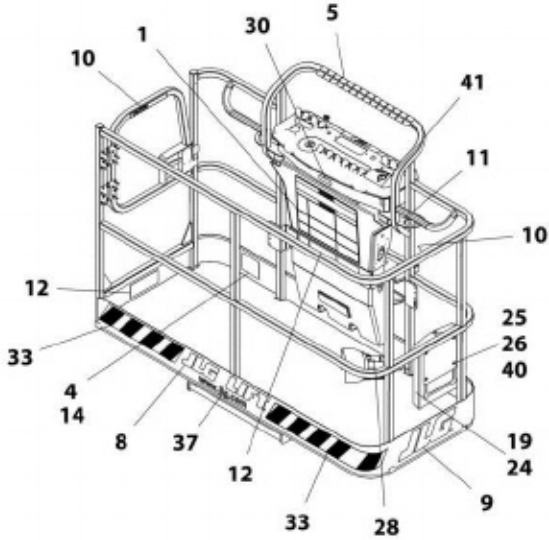
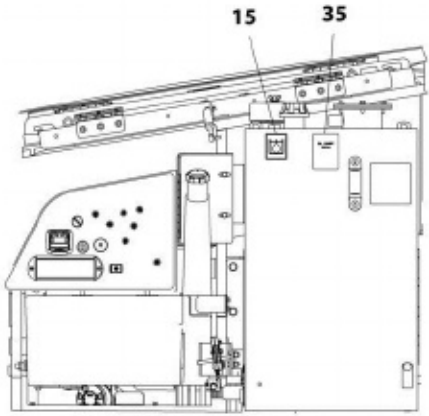
ART_1001169157

FIGURE 9-6. DECAL INSTALLATION - CHINESE SPEC (CHINESE/ENGLISH)

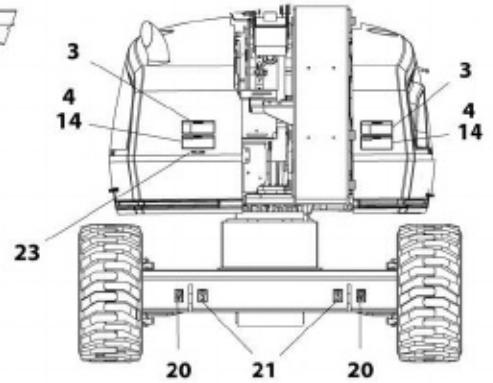
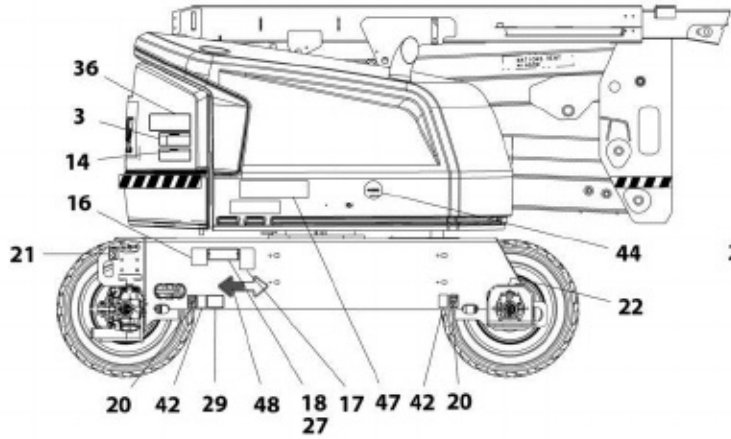
ITEM	PART NUMBER	QTY	DESCRIPTION	REV
	1001169157	Ref	DECAL INSTALLATION - REFERENCE CHART	G
	1001162526	Ref	DECAL INSTALLATION - CHINESE SPEC (CHINESE/ENGLISH)	C
1	1703925	1	Decal - Danger/Warning	
2	1001116849	1	Decal - Warning Inspection	
3	1703937	4	Decal - Danger Electrocution	
4	1703949	4	Decal - Warning/Crushing	
10	1705968	2	Decal - No Hands	
11	1704277	2	Decal - Attach Lanyard	
12	1001162424	3	Decal - Max Capacity	
14	1703943	2	Chinese Spec Decals (Chinese/English)	
15	1701504	1	Decal - Hydraulic Oil	
16	See Note	NSS	Decal - Bar Code (Note: Not Available for Purchase)	
19	1701509	1	Decal - Manual	
20	1702300	8	Decal - Tie Down /Lift	
21	1701500	4	Decal - Tie Down /Lift	
22	1703687	2	Decal - Arrow	
24	0860520	1	Box, Manual Storage	
25	4751400	4	Washer, 1/4	
26	3311405	4	Nur, Lock 1/4-20	
27	3820001	4	Rivet	
28	1703982	1	Decal - Footswitch	
35	1704412	1	Decal - Hydraulic Fluid	
36	1001172217	1	Decal - Lift Diagram	
37	1704885	2	Decal - Website	
40	0641406	4	Bolt, 1/4-20 x 3/4	
41	1705430	1	Decal - Drive/Steer	
42	1701499	4	Decal - No Tie Down/Lift	
48	1701529	2	Decal - Arrow	

SECTION 9 - DECAL

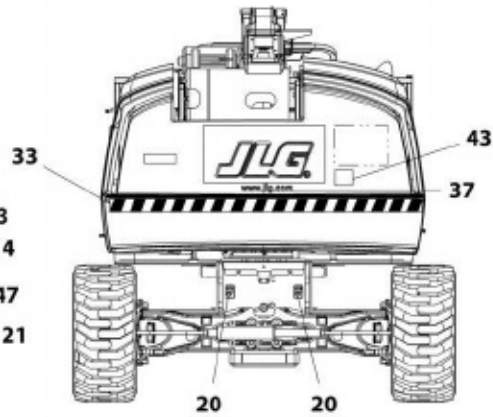
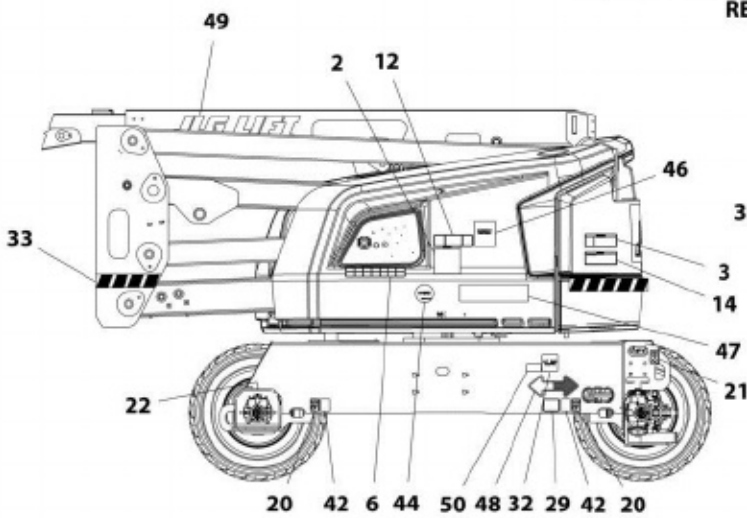
FIGURE 9-7. DECAL INSTALLATION - JAPANESE SPEC (JAPANESE/ENGLISH)



NOTE: SOME DECALS ARE CALLED OUT ON OPTIONAL DECALS INSTALLATION.



NOTE: ITEMS SHOWN MAY NOT BE REQUIRED FOR ALL SPECS. REFER TO PARTS LIST FOR USAGE.



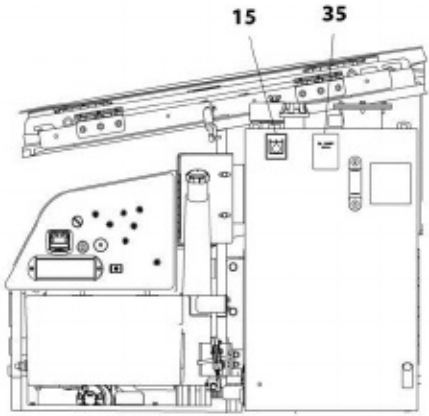
ART_1001169157

FIGURE 9-7. DECAL INSTALLATION - JAPANESE SPEC (JAPANESE/ENGLISH)

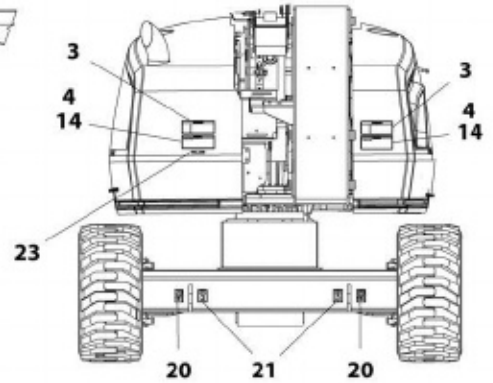
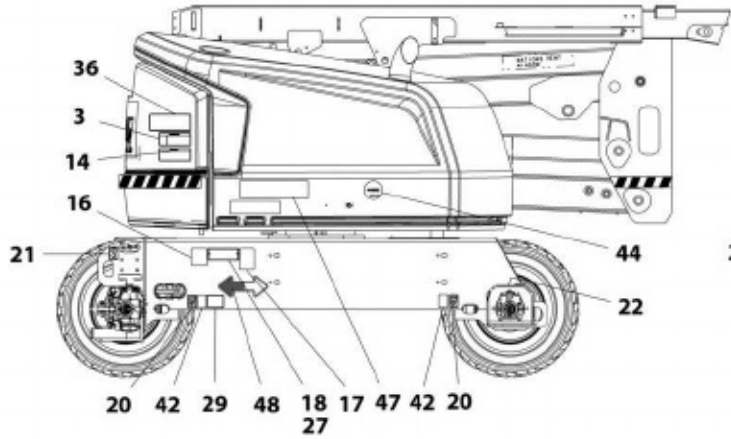
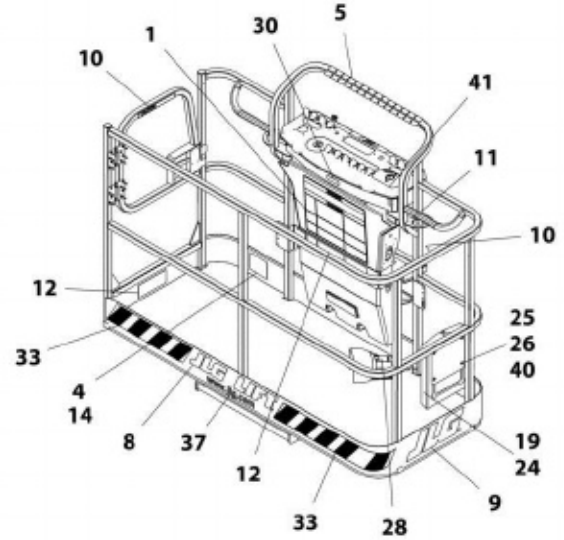
ITEM	PART NUMBER	QTY	DESCRIPTION	REV
	1001169157	Ref	DECAL INSTALLATION - REFERENCE CHART	G
	1001162523	Ref	DECAL INSTALLATION - JAPANESE SPEC (JAPANESE/ENGLISH)	B
1	1703926	1	Decal - Danger/Warning	
2	1705344	1	Decal - Warning Inspection	
3	1703938	4	Decal - Danger Electrocutation	
4	1703950	4	Decal - Warning/Crushing	
11	1704277	2	Decal - Attach Lanyard	
12	1001162418	3	Decal - Max Capacity	
14	1703944	2	Decal - Warning/Crushing	
15	1701504	1	Decal - Hydraulic Oil	
16	See Note	NSS	Decal - Bar Code (Note: Not Available for Purchase)	
19	1701509	1	Decal - Manual	
20	1702300	8	Decal - Tie Down /Lift	
21	1701500	4	Decal - Tie Down /Lift	
22	1703687	2	Decal - Arrow	
24	0860520	1	Box, Manual Storage	
25	4751400	4	Washer, 1/4	
26	3311405	4	Nut, Lock 1/4-20	
27	3820001	4	Rivet	
28	1703980	1	Decal - Footswitch	
35	1704412	1	Decal - Hydraulic Fluid	
36	1001172217	1	Decal - Lift Diagram	
37	1704885	2	Decal - Website	
40	0641406	4	Bolt, 1/4-20 x 3/4	
41	1705426	1	Japanese Spec Decals (Japanese/English)	
42	1701499	4	Decal - No Tie Down/Lift	
48	1701529	2	Decal - Arrow	

SECTION 9 - DECAL

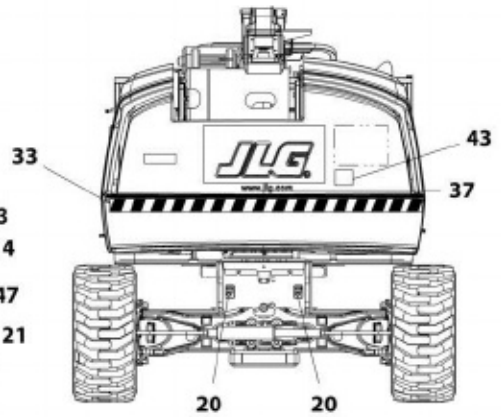
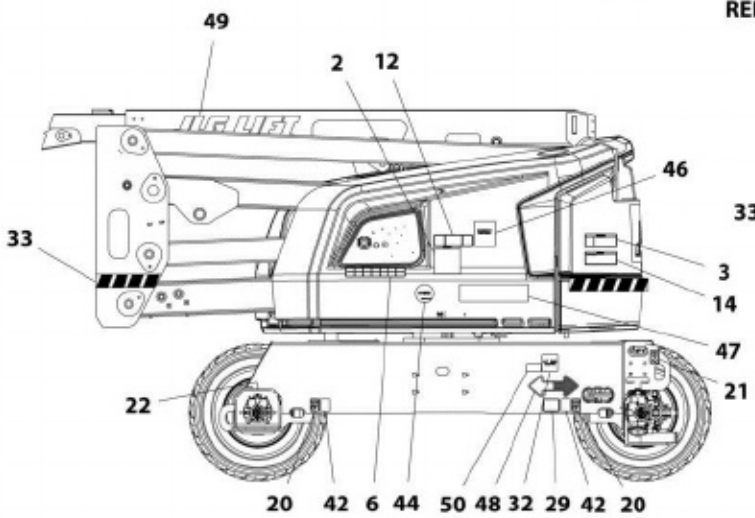
FIGURE 9-8. DECAL INSTALLATION - KOREAN SPEC (KOREAN/ENGLISH)



NOTE: SOME DECALS ARE CALLED OUT ON OPTIONAL DECALS INSTALLATION.



NOTE: ITEMS SHOWN MAY NOT BE REQUIRED FOR ALL SPECS. REFER TO PARTS LIST FOR USAGE.



ART_1001169157

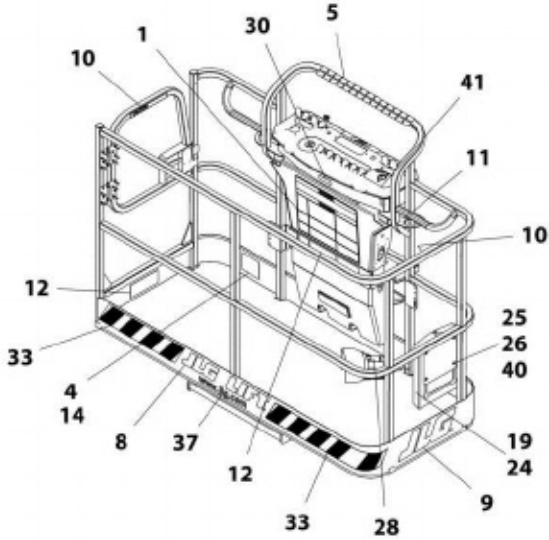
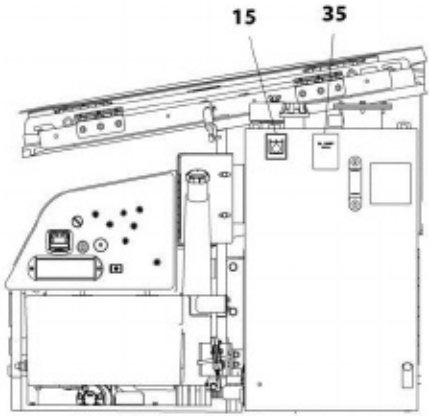
SECTION 9 - DECAI

FIGURE 9-8. DECAL INSTALLATION - KOREAN SPEC (KOREAN/ENGLISH)

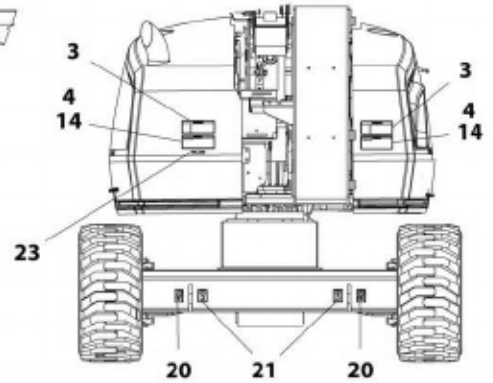
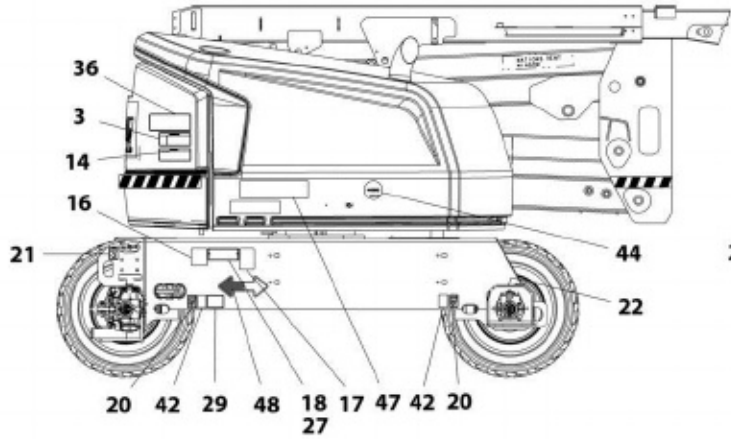
ITEM	PART NUMBER	QTY	DESCRIPTION	REV
	1001169157	Ref	DECAL INSTALLATION - REFERENCE CHART	G
	1001162524	Ref	DECAL INSTALLATION - KOREAN SPEC (KOREAN/ENGLISH)	B
1	1703927	1	Decal - Danger/Warning	
2	1705345	1	Decal - Warning Inspection	
3	1703939	4	Decal - Danger Electrocution	
4	1703951	4	Decal - Warning/Crushing	
10	1705969	2	Decal - No Hands	
11	1704277	2	Decal - Attach Lanyard	
12	1001162420	3	Decal - Max Capacity	
14	1703945	2	Decal - Warning/Crushing	
15	1701504	1	Decal - Hydraulic Oil	
16	See Note	NSS	Decal - Bar Code (Note: Not Available for Purchase)	
19	1701509	1	Decal - Manual	
20	1702300	8	Decal - Tie Down /Lift	
21	1701500	4	Decal - Tie Down /Lift	
22	1703687	2	Decal - Arrow	
24	0860520	1	Box, Manual Storage	
25	4751400	4	Washer, 1/4	
26	3311405	4	Nut, Lock 1/4-20	
27	3820001	4	Rivet	
28	1703981	1	Decal - Footswitch	
35	1704412	1	Decal - Hydraulic Fluid	
36	1001172217	1	Decal - Lift Diagram	
37	1704885	2	Decal - Website	
40	0641406	4	Bolt, 1/4-20 x 3/4	
41	1705427	1	Decal - Drive/Steer	
42	1701499	4	Decal - No Tie Down/Lift	
48	1701529	2	Decal - Arrow	

SECTION 9 - DECAL

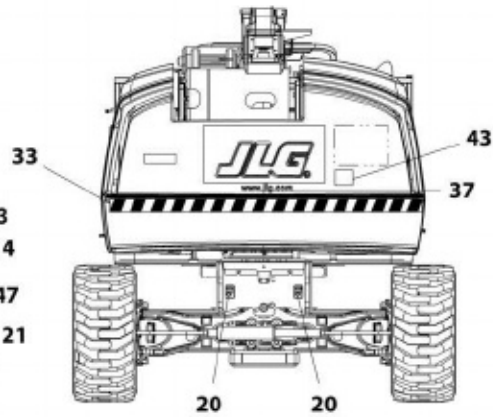
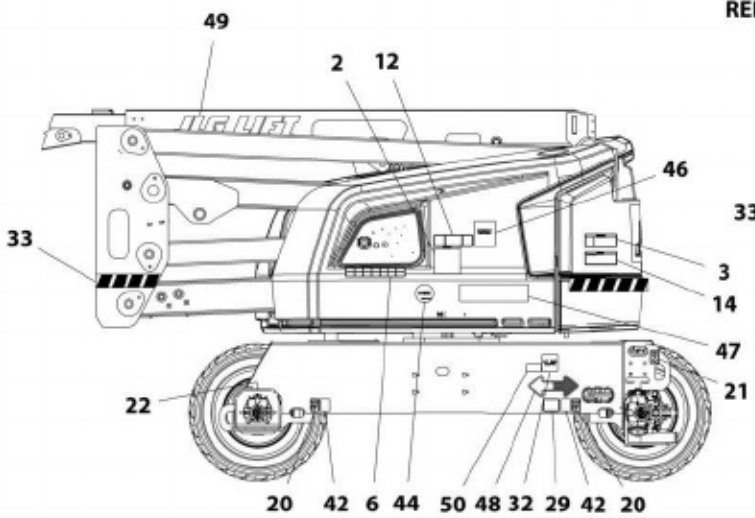
FIGURE 9-9. DECAL INSTALLATION - LATIN AMERICA SPEC (SPANISH/ENGLISH)



NOTE: SOME DECALS ARE CALLED OUT ON OPTIONAL DECALS INSTALLATION.



NOTE: ITEMS SHOWN MAY NOT BE REQUIRED FOR ALL SPECS. REFER TO PARTS LIST FOR USAGE.



ART_1001169157

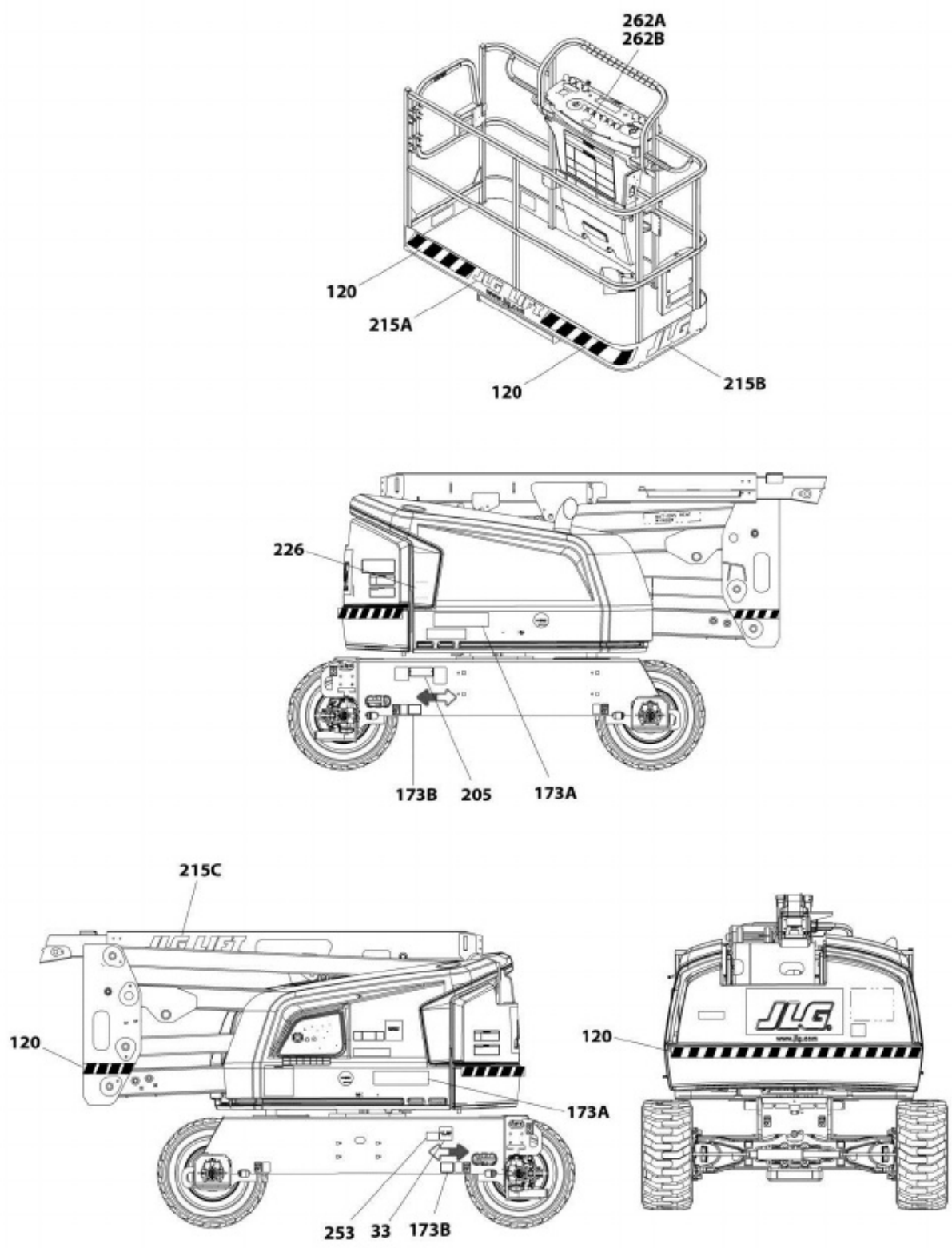
SECTION 9 - DECAI

FIGURE 9-9. DECAL INSTALLATION - LATIN AMERICA SPEC (SPANISH/ENGLISH)

ITEM	PART NUMBER	QTY	DESCRIPTION	REV
	1001169157	Ref	DECAL INSTALLATION - REFERENCE CHART	G
	1001162529	Ref	DECAL INSTALLATION - LATIN AMERICA SPEC (SPANISH/ENGLISH)	C
1	1703923	1	Decal - Danger/Warning	
2	1705917	1	Decal - Warning Inspection	
3	1703935	4	Decal - Danger Electrocutation	
4	1703947	4	Decal - Warning/Crushing	
5	1001173262	1	Decal - Legend	
6	1706941	1	Decal - Legend	
10	1704001	2	Decal - No Hands	
11	1704277	2	Decal - Attach Lanyard	
12	1001162415	3	Decal - Max Capacity	
14	1703941	2	Decal - Warning/Crushing	
15	1701504	1	Decal - Hydraulic Oil	
16	See Note	NSS	Decal - Bar Code (Note: Not Available for Purchase)	
19	1701509	1	Decal - Manual	
20	1702300	8	Decal - Tie Down /Lift	
21	1701500	4	Decal - Tie Down /Lift	
22	1703687	2	Decal - Arrow	
23	3251243	1	Decal - 120V-60Hz	
24	0860520	1	Box, Manual Storage	
25	4751400	4	Washer, 1/4	
26	3311405	4	Nut, Lock 1/4-20	
27	3820001	8	Rivet	
28	1703983	1	Decal - Footswitch	
35	1704412	1	Decal - Hydraulic Fluid	
36	1001172217	1	Decal - Lift Diagram	
37	1704885	2	Decal - Website	
40	0641406	4	Bolt, 1/4-20 x 3/4	
41	1705910	1	Decal - Drive/Steer	
42	1701499	4	Decal - No Tie Down/Lift	
43	3251813	1	Decal - USA	
45	1704007	1	Decal - Inspection (Not Shown)	
48	1701529	2	Decal - Arrow	

SECTION 9 - DECAL

FIGURE 9-10. DECAL INSTALLATION - OPTIONS



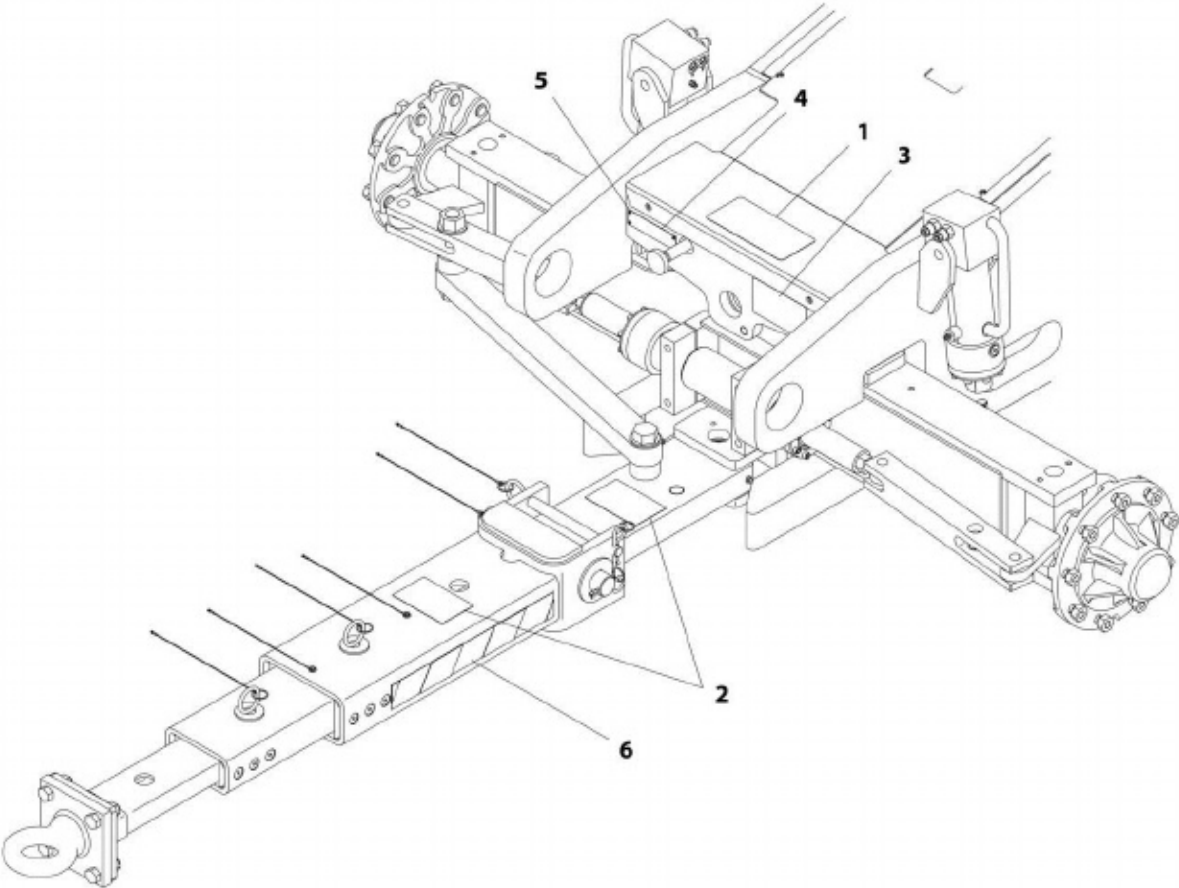
ART_DECAL OPTIONS

FIGURE 9-10. DECAL INSTALLATION - OPTIONS

ITEM	PART NUMBER	QTY	DESCRIPTION	REV
	1001169157	Ref	DECAL INSTALLATION - REFERENCE CHART	G
	1001166193	Ref	DECAL INSTALLATION - OPTIONS	
33	1700818	1	Decal - LP (ANSI and Latin America Specs)	
33	1704271	1	Decal - LP (CSA Specs)	
120	1001188883	Ref	Warning Stripes Installation	A
120	4420051	21.5 ft /6.55m	Tape, Safety	
173	1001166084	Ref	Model Decal Installation	C
173A	1001172801	2	Decal - 450AJ	
173B	1704752	2	Decal - Max Tire Load	
205	See Note	1	Nameplate - Manufacturers Serial Number (Note: Not Available for Purchase)	
215	1001166085	Ref	JLG Logo Installation	C
215A	1702774	1	Decal - JLG Lift (3in)	
215B	1702773	1	Decal - JLG	
215C	1702860	1	Decal - JLG Lift (5in)	
226	1704972	1	Decal - Warning Explosion/Fire (ANSI Spec)	
226	1706059	1	Decal - Warning Explosion/Fire (Brazil Spec)	
226	1706098	1	Decal - Warning Explosion/Fire (CE Spec)	
226	1706060	1	Decal - Warning Explosion/Fire (Chinese Spec)	
226	1706064	1	Decal - Warning Explosion/Fire (CSA Spec)	
226	1706062	1	Decal - Warning Explosion/Fire (Japanese Spec)	
226	1706061	1	Decal - Warning Explosion/Fire (Korean Spec)	
226	1706063	1	Decal - Warning Explosion/Fire (Latin America Spec)	
253	1001143852	1	Decal - Emissions Compliance (Deutz TD 2.9L4 Engines)	
262A	1001141300	1	Decal - SkyGuard Override	
262B	1001141302	1	Decal - SkyGuard/Soft Touch Override	

SECTION 9 - DECAL

FIGURE 9-11. TOW BAR DECAL INSTALLATION - ENGLISH LANGUAGE (ANSI, ANSI EXPORT AND CE SPECS)



ART_1283125

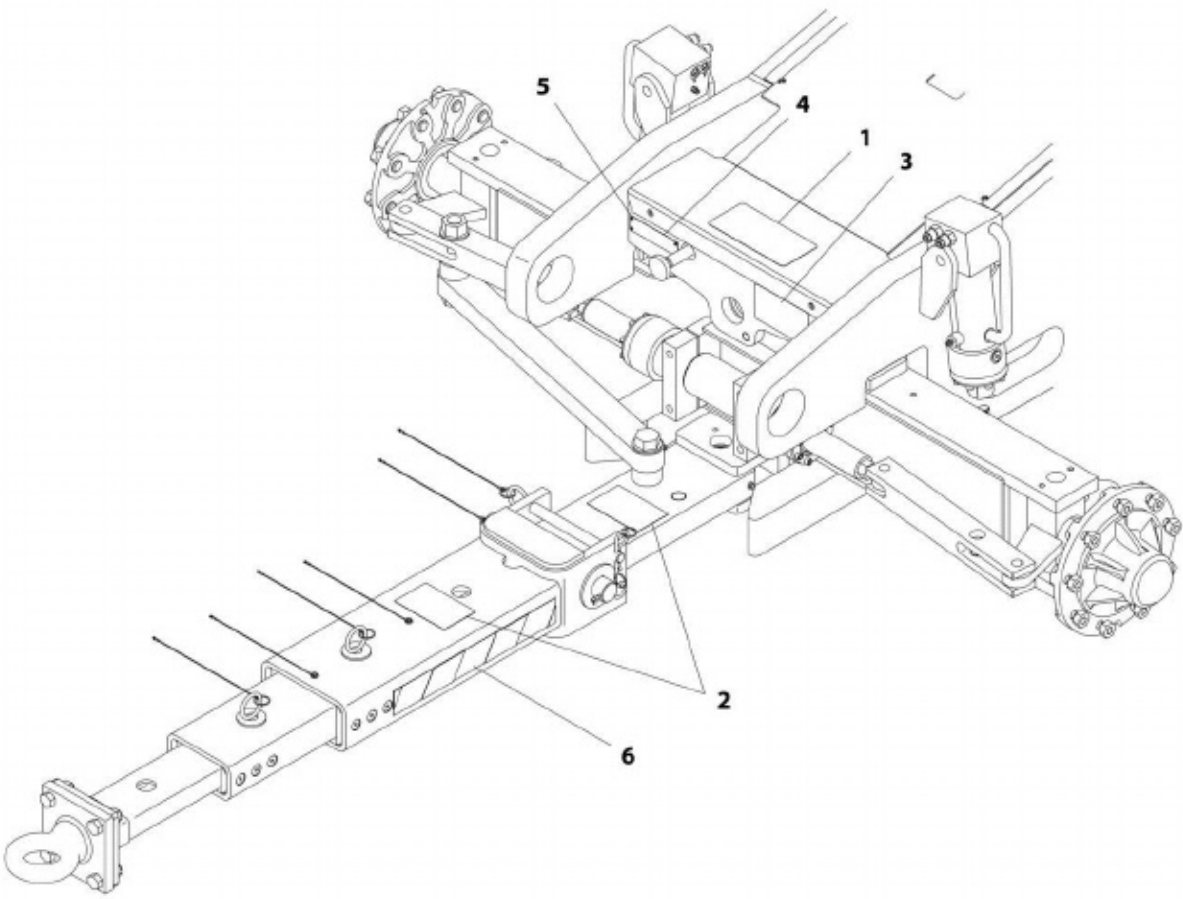
SECTION 9 - DECAI

FIGURE 9-11. TOW BAR DECAL INSTALLATION - ENGLISH LANGUAGE (ANSI, ANSI EXPORT AND CE SPECS)

ITEM	PART NUMBER	QTY	DESCRIPTION	REV
	0270115	Ref	TOW BAR DECAL INSTALLATION - ENGLISH LANGUAGE (ANSI, ANSI EXPORT AND CE SPECS)	A
1	1704482	1	Decal - Tow Instructions	
2	1704578	3	Decal - Crushing	
3	1703450	1	Decal - Warning	
4	3250872	1	Nameplate - Steer/Tow Select Valve	
5	3820001	4	Rivet	
6	4420051	43 in	Tape, Safety	

SECTION 9 - DECAL

FIGURE 9-12. TOW BAR DECAL INSTALLATION - ENGLISH/SPANISH LANGUAGE (ANSI EXPORT SPECS)



ART_1283125

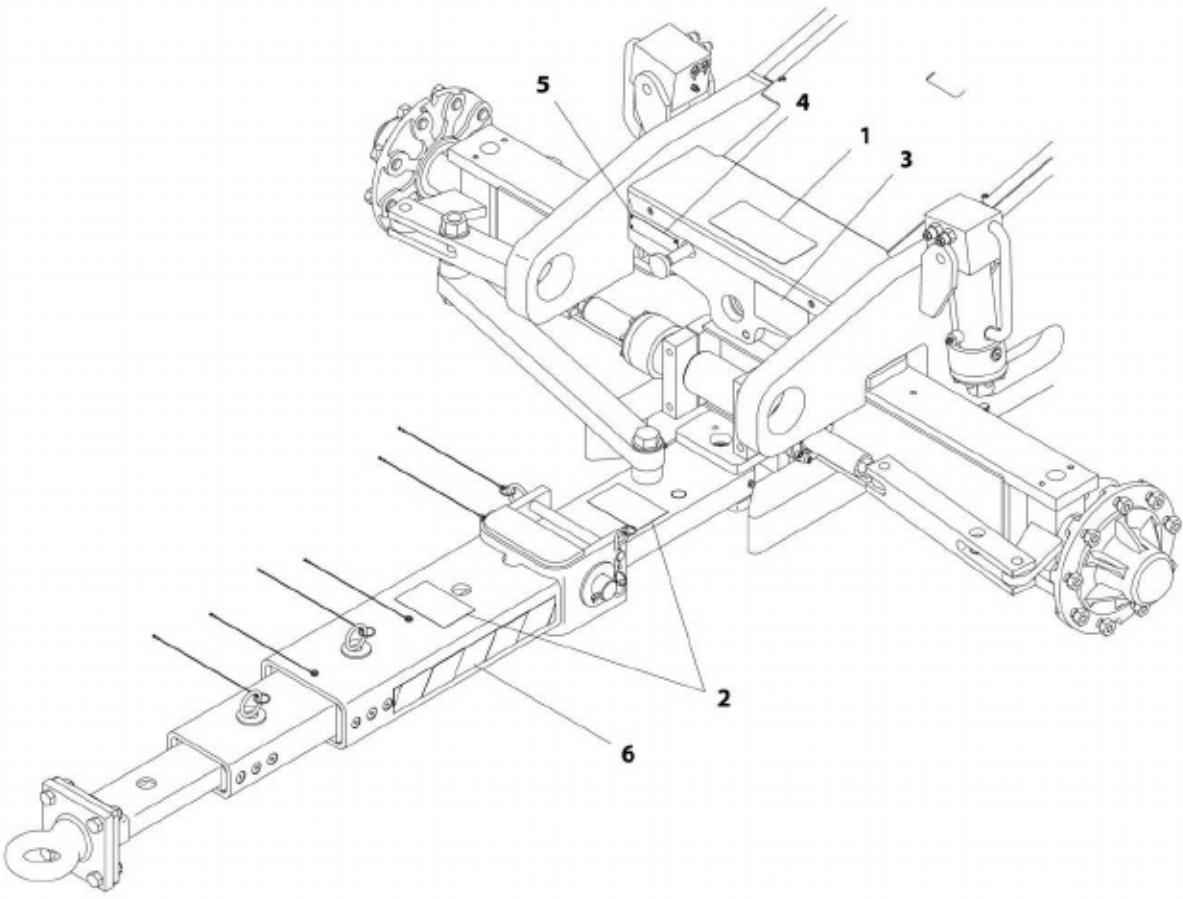
SECTION 9 - DECAI

FIGURE 9-12. TOW BAR DECAL INSTALLATION - ENGLISH/SPANISH LANGUAGE (ANSI EXPORT SPECS)

ITEM	PART NUMBER	QTY	DESCRIPTION	REV
	0270119	Ref	TOW BAR DECAL INSTALLATION - ENGLISH/SPANISH LANGUAGE (ANSI EXPORT SPECS)	A
1	1704457	1	Decal - Tow Instructions	
2	1704577	3	Decal - Crushing	
3	1704576	1	Decal - Warning	
4	3252693	1	Nameplate - Steer/Tow Select Valve	
5	3820001	4	Rivet	
6	4420051	43 in	Tape, Safety	

SECTION 9 - DECAL

FIGURE 9-13. TOW BAR DECAL INSTALLATION - SPANISH LANGUAGE (CE SPECS)



ART_1283125

SECTION 9 - DECAI**FIGURE 9-13. TOW BAR DECAL INSTALLATION - SPANISH LANGUAGE (CE SPECS)**

ITEM	PART NUMBER	QTY	DESCRIPTION	REV
	0270116	Ref	TOW BAR DECAL INSTALLATION - SPANISH LANGUAGE (CE SPECS)	A
1	1704455	1	Decal - Tow Instructions	
2	1701518	3	Decal - Crushing	
3	1704456	1	Decal - Warning	
4	3252692	1	Nameplate - Steer/Tow Select Valve	
5	3820001	4	Rivet	
6	4420051	43 in	Tape, Safety	

SECTION 10 - RECOMMENDED SERVICE PARTS STOCK

SECTION 10 - RECOMMENDED SERVICE PARTS STOCK

FIGURE 10-1. RECOMMENDED SERVICE PARTS STOCK

ITEM	PART NUMBER	QTY	DESCRIPTION	REV
	Note	Ref	Note: The following list will service one machine (built to current production per date on the front cover) with emergency repair parts which can be installed in the field. Parts from the list should be replaced when inventory is depleted to keep service parts stock supplied. For further information, contact your JLG dealer or the JLG Industries Parts Department.	
		Ref	STANDARD PARTS	
	7024885	1	Coil	
	70002386	1	Coil	
	70003788	1	Coil	
	70004897	1	Coil	
	70004871	1	Coil	
	7027628	1	Coil	
	1001166538	1	Controller Assembly (Drive and Steer)	
	1001129555	1	Controller Assembly (Lift and Swing)	
	70010383	1	Element, Filter Charge Pump (Includes O-Ring)	
	70002838	1	Fill Cap Assembly (Includes Cap, Chain and Fill Basket)	
	70003614	1	Filter Kit (Includes Hydraulic Element, Breather Element and Gasket)	
	3740067	1	Relay	
	3740140	1	Relay	
	2860030	1	Key, Replacement	
	4360328	1	Switch, Toggle	
	4360387	1	Switch, Push Button	
	4360475	1	Switch, Emergency Stop	
	4360476	1	Switch, Contact Block	
	4360407	1	Switch, Potentiometer	
	1001155045	1	Switch, Toggle	
	1001159256	1	Switch, Toggle	
	1001161709	1	Switch, Toggle	
		Ref	VARIABLE PARTS	
	1001181045	1	Breaker, 30mA/16Amp (CE Spec with 2 Breaker Box)	
	70003783	12	Element, Air Cleaner (Deutz 2.9L4 and Deutz 2.3L3 Engines)	
	70004020	12	Element, Air Cleaner (GM Engines)	
	7016331	12	Filter, Oil (Deutz Engines)	
	7027965	12	Filter, Oil (GM Engines)	
	70025153	12	Filter, Fuel (Deutz 2.9L4 Engines)	
	70025161	12	Filter, Fuel (Deutz 2.9L4 Engines)	
	7020023	12	Filter, Fuel (Deutz 2.3L3 Engines)	
	70003463	12	Filter, Fuel - RME Resistant (Deutz 2.3L3 Engines)	
	7027972	12	Filter, Fuel (GM Engines)	
	8229242	1	Fuse - 5Amp	
	80983191	1	Fuse - 10Amp	
	8229244	1	Fuse - 15Amp	
	2940074	1	Latch (Machines with Gate)	
	1001142683	1	Module, Beacon Light (With SkyGuard)	
	70025210	1	Module, ECU (Deutz 2.9L4 Engines)	
	70002895	1	Module, ECU (GM Engines)	
	1001170094	1	Module, Ground Control	
	1001118412	1	Module, Platform Control	

SECTION 10 - RECOMMENDED SERVICE PARTS STOCK

ITEM	PART NUMBER	QTY	DESCRIPTION	REV
	1001138228	1	Module, Power Relay	
	1001119176	1	Switch, Limit (Drive Orientation)	
	1001161710	1	Switch, Toggle (Dual Fuel Machines - GM Engines)	
	4360057	1	Switch, Limit (Soft Touch Option)	
	4360387	1	Switch, Toggle (Soft Touch Option)	
	1001137673	1	Switch, SkyGuard Assembly (CE Specs Machines)	

SECTION 11 - SPECIAL OPTIONS

SECTION 11 - SPECIAL OPTIONS

FIGURE 11-1. SPECIAL OPTIONS

ITEM	PART NUMBER	QTY	DESCRIPTION	REV
	Note	Ref	Note: This list is to accommodate machines ordered with special equipment. Options may not be applicable to all models. For more specific parts information contact JLG Parts Department.	
	1001101913	Ref	MISCELLANEOUS SPECIAL OPTIONS	
		Ref	AC Box at Platform Installation - 110V IEC Yellow (CE Spec with 4000W Generator) (Prior to SN 0300210159, Prior to SN E300002764)	
	1001194203	Ref	AC Box at Platform Installation - 110V IEC Yellow (CE Spec with 4000W Generator) (SN 0300210159 to Present, SN E300002764 to Present)	
	1001101914	Ref	AC Box at Platform Installation - 220V IEC Blue (CE Spec with 4000W Generator) (Prior to SN 0300210159, Prior to SN E300002764)	
	1001194204	Ref	AC Box at Platform Installation - 220V IEC Blue (CE Spec with 4000W Generator) (SN 0300210159 to Present, SN E300002764 to Present)	
	1001101910	Ref	AC Box at Platform Installation - 220V CEE7 Post Ground 2in x 4in Box (CE Spec with 4000W Generator) (Prior to SN 0300210159, Prior to SN E300002764)	
	1001194197	Ref	AC Box at Platform Installation - 220V CEE7 Post Ground 2in x 4in Box (CE Spec with 4000W Generator) (SN 0300210159 to Present, SN E300002764 to Present)	
	1001101911	Ref	AC Box at Platform Installation - 220V CEE7 Side Ground 2in x 4in Box (CE Spec with 4000W Generator) (Prior to SN 0300210159, Prior to SN E300002764)	
	1001194198	Ref	AC Box at Platform Installation - 220V CEE7 Side Ground 2in x 4in Box (CE Spec with 4000W Generator) (SN 0300210159 to Present, SN E300002764 to Present)	
	1001101915	Ref	AC Box at Platform Installation - 220V CEE7 Post Ground 70mm x 70mm Box (CE Spec with 4000W Generator) (Prior to SN	
	1001101916	Ref	0300210159, Prior to SN E300002764) AC Box at Platform Installation - 220V CEE7 Side Ground 70mm x 70mm Box (CE Spec with 4000W Generator) (Prior to SN	
	1001101912	Ref	0300210159, Prior to SN E300002764) AC Box at Platform Installation - 220V AFSINT 107 (CE Spec with 4000W Generator) (Prior to SN 0300210159, Prior to SN	
	1001194200	Ref	E300002764) AC Box at Platform Installation - 220V AFSINT 107 (CE Spec with 4000W Generator) (SN 0300210159 to Present, SN E300002764 to Present)	
	1001194365	Ref	AC Box at Platform Installation - 220V (Box W/Cover) (Australian Spec with 4000W Generator) (SN 0300210159 to Present, SN E300002764 to Present)	
	1001172057	Ref	Airline Installation (Machines without Arctic Package)	
	1001174654	Ref	Airline Installation (Machines with Arctic Package)	
	1001179738	Ref	Boom Cables and Clamps Installation for Machines with 50 Hz 4000W Generators	
	1001179776	Ref	Boom Cables and Clamps Installation for Machines with 60 Hz 4000W Generators	
	1001179364	Ref	Boom Cables and Clamps Installation for Machines with 7500W SkyPower Generator without Arctic Package	
	1001179771	Ref	Boom Cables and Clamps Installation for Machines with 7500W SkyPower Generator with Arctic Package	
	1001206438	Ref	Boom Wear Pad Kit	
	1001172045	Ref	Cable Carrier Tray Installation	

SECTION 11 - SPECIAL OPTIONS

ITEM	PART NUMBER	QTY	DESCRIPTION	REV
	1001174728	Ref	ClearSky (Telematics) Installation (Factory Installed) (ANSI and CSA Specs) Note: Refer to Manual Supplement p/n 3128499 for available replacement parts.	
	1001175029	Ref	ClearSky (Telematics) Installation (Factory Installed) (Australian Spec) Note: Refer to Manual Supplement p/n 3128499 for available replacement parts.	
	1001175027	Ref	ClearSky (Telematics) Installation (Factory Installed) (Brazil and New Zealand Specs) Note: Refer to Manual Supplement p/n 3128499 for available replacement parts.	
	1001174767	Ref	Cold Weather Package - Deutz D2.3L3 Engines	
	1001174766	Ref	Cold Weather Package - Deutz D2.9L4 Engines	
	1001174768	Ref	Cold Weather Package - GM Engines	
	1001186976	Ref	Cold Weather Transformer Installation (Required with Deutz D2.3L3 Engines)	
	1001206434	Ref	Combined Filter Kit - GM Engine (Air/Engine Oil/Fuel/Hydraulic/Air)	
	1001148145	Ref	Container/Transport Wheels Installation - 12 x 16.5 Tires	
	0272031	Ref	Container/Transport Wheels Installation - 33/1550 x 16.5 Tires	
	1001176343	Ref	Cribbing Switch Installation (ANSI Only)	
	1001196012	Ref	Cylinder Bellows Installation	
	1001195899	Ref	Decals - Ahern (SN 0300199221 through 0300205472)	
	1001196611	Ref	Decals - Ahern (SN 0300205473 to Present)	
	1001195893	Ref	Decals - Blue Line (SN 0300199221 through 0300205472)	
	1001196715	Ref	Decals - Blue Line (SN 0300205473 to Present)	
	1001195903	Ref	Decals - Boels	
	1001127096	Ref	Decal - ClearSky	
	1001195901	Ref	Decals - Fedex	
	1001195890	Ref	Decals - Head and Engquist Equipment	
	1001195891	Ref	Decals - Hertz	
	1001195894	Ref	Decals - Hewitt The Rental Store (English Language)	
	1001195898	Ref	Decals - Hewitt The Rental Store (French Language)	
	1001213067	Ref	Decal Kit - Platform Console Box	
	1001213069	Ref	Decal Kit - Platform	
	1001195892	Ref	Decal - Leavitt	
	1001195889	Ref	Decals - National Equipment Services (NES)	
	1702868	Ref	Decal - No Hands (English Language) (Used with Mesh to Top Rail Platform)	
	1001200131	Ref	Decal - Quick Start Reference (Loxam Rental) (Danish Spec)	
	1001200129	Ref	Decal - Quick Start Reference (Loxam Rental) (Dutch Spec)	
	1001181145	Ref	Decal - Quick Start Reference (Loxam Rental) (English Spec)	
	1001200126	Ref	Decal - Quick Start Reference (Loxam Rental) (French Spec)	
	1001200130	Ref	Decal - Quick Start Reference (Loxam Rental) (German Spec)	
	1001200134	Ref	Decal - Quick Start Reference (Loxam Rental) (Norwegian Spec)	
	1001200133	Ref	Decal - Quick Start Reference (Loxam Rental) (Spanish Spec)	
	1001200132	Ref	Decal - Quick Start Reference (Loxam Rental) (Swedish Spec)	
	1001195902	Ref	Decals - Riwal	
	1705358	Ref	Decal - SkyGlazier	
	0272589	Ref	Decal - SkyPower (50Hz)	
	0273380	Ref	Decal - SkyPower (60Hz)	
	0272448	Ref	Decal - SkyWelder (50Hz)	
	0272588	Ref	Decal - SkyWelder (60Hz)	
	1001195888	Ref	Decal - Sunbelt Rentals (SN 0300199221 through 0300205472)	
	1001199864	Ref	Decal - Sunbelt Rentals (SN 0300205473 to Present)	
	1001195895	Ref	Decals - Titan	

SECTION 11 - SPECIAL OPTIONS

ITEM	PART NUMBER	QTY	DESCRIPTION	REV
	1001195887	Ref	Decals - United Rentals	
	1001195900	Ref	Decals - UPS	
	1001188883	Ref	Decal - Warning Stripes	
	1001148902	Ref	Electrical Connector Kit - Amp/Tyco Electrical Connectors	
	1001148903	Ref	Electrical Connector Kit - Deutsch DT Electrical Connectors	
	1001148904	Ref	Electrical Connector Kit - Deutsch HD Electrical Connectors	
	1001148905	Ref	Electrical Connector Kit - Packard Electrical Connectors	
	1001148906	Ref	Electrical Connector Kit - Various Electrical Connectors	
	0275055	Ref	Engine Block Heater Installation - GM Engines	
	1001172751	Ref	Fan Cover Installation - Deutz D2.9L4 Engines	
	1001139099	Ref	Fire Extinguisher Installation	
	1001117294	Ref	Footswitch Shield Installation	
	1001185025	Ref	Generator Installation - 2500W/50Hz (Deutz D2.3L3)	
	1001180798	Ref	Generator Installation - 2500W/60Hz (Deutz D2.3L3)	
	1001180797	Ref	Generator Installation - 2500W/60Hz (Deutz D2.9L4)	
	1001180800	Ref	Generator Installation - 2500W/60Hz (GM)	
	1001173984	Ref	Generator Installation - 4000W/50Hz (Deutz D2.3L3)	
	1001173983	Ref	Generator Installation - 4000W/60Hz (Deutz D2.3L3)	
	1001175542	Ref	Generator Installation - 4000W/60Hz (Deutz D2.9L4)	
	1001175348	Ref	Generator Installation - 4000W/60Hz (GM)	
	1001173811	Ref	Generator Installation - 7500W/50Hz SkyPower (Deutz D2.3L3) (Note: See JLG 3124242 Accessories Manual)	
	1001173810	Ref	Generator Installation - 7500W/60Hz SkyPower (Deutz D2.3L3) (Note: See JLG 3124242 Accessories Manual)	
	1001174367	Ref	Generator Installation - 7500W/60Hz SkyPower (Deutz D2.9L4) (Note: See JLG 3124242 Accessories Manual)	
	1001173812	Ref	Generator Installation - 7500W/60Hz SkyPower (GM) (Note: See JLG 3124242 Accessories Manual)	
	1001169831	Ref	Hostile Environment Package (Includes Cylinder Bellows, Platform Console Cover and Boom Wiper)	
	1001194427	Ref	Hydraulic Kit, Front	
	1001194424	Ref	Hydraulic Kit, Lower	
	1001194428	Ref	Hydraulic Kit, Rear	
	1001194426	Ref	Hydraulic Kit, Turntable	
	1001194425	Ref	Hydraulic Kit, Upper	
	1001148971	Ref	Lanyard (Bolt-On) Installation Kit	
	1001172001	Ref	Lights Installation - Headlights and Taillights	
	1001120466	Ref	Lights Installation - Platform Worklights	
	1001183407	Ref	Low Temperature Cutout Installation (Russian Specs)	
	1001173664	Ref	Oil Cooler Installation - Deutz D2.3L3 Engines	
	1001164493	Ref	Oil Cooler Installation - Deutz D2.9L4 Engines	
	1001173745	Ref	Oil Cooler Installation - GM Engines	
	0257728	Ref	Pipe Racks Installation (All Specs Except Australian Spec)	
	0274661	Ref	Pipe Rack Installation (Australian Specs)	
	1001205175	Ref	Platform Console (Steel Cover Add-On Kit)	
	1580013	Ref	Platform Corner Storage Tray	
	1001142505	Ref	Platform Entry Kit - Swing Gate (Replaces Drop Bar with Swing Gate)	
	1001142504	Ref	Platform Entry Kit - Drop Bar (Replaces Swing Gate with Drop Bar)	
	1001140318	Ref	Platform Mesh to Mid Rail Installation - 30in x 48in Platforms	
	1001140315	Ref	Platform Mesh to Mid Rail Installation - 30in x 60in Platforms	
	0273147	Ref	Platform Mesh to Top Rail Installation - 30in x 48in Platforms	
	0273146	Ref	Platform Mesh to Top Rail Installation - 30in x 60in Platforms	

SECTION 11 - SPECIAL OPTIONS

ITEM	PART NUMBER	QTY	DESCRIPTION	REV
	0273148	Ref	Platform Mesh to Top Rail Installation - 30in x 72in Platforms	
	0274095	Ref	Platform Rail Extension Installation - 30in x 72in Platforms	
	1001173975	Ref	SkyAccessory - SkyGlazier Installation (ANSI and CSA Specs) (Note: See JLG 3124242 Accessories Manual)	
	1001199314	Ref	SkyAccessory - SkyGlazier Installation (Australian Specs) (Note: See JLG 3124242 Accessories Manual)	
		Ref	SkyAccessory - SkyPower Installation (See Generator Installations Listed Above)	
	0272521	Ref	SkyAccessory - SkyWelder Installation (50Hz) (Note: See JLG 3124242 Accessories Manual)	
	0272254	Ref	SkyAccessory - SkyWelder Installation (60Hz) Note: See JLG 3124242 Accessories Manual	
	1001203510	Ref	SkyGuard Installation Kit (Without Beacon)	
	1001203511	Ref	SkyGuard Installation Kit (With Beacon)	
	1001195610	Ref	Telematics - United Rentals Installation	
	1001191315	Ref	Tire Sealant Installation	
	2901443	Ref	Tools - Analyzer Kit	
	1001137005	Ref	Tools - Cable Kit, Software (Not Shown)	
	7002821	Ref	Tools - Crimper, Wire	
	7002823	Ref	Tools - Pin Extractor - Universal (For Electrical Connectors with Pins and Sockets)	
	4460510	Ref	Tools - Pin Extractor - 12-14 Gauge (For Removal of Pin/Sockets from Deutsch Connectors)	
	4460467	Ref	Tools - Pin Extractor - 16-18 Gauge (For Removal of Pin/Sockets from Deutsch Connectors)	
	7016654	Ref	Tools - Screwdriver, Magnetic	
	7002822	Ref	Tools - Screwdriver, Potentiometer	
	7004275	Ref	Tools - Seal Tool 1in (For Cylinders)	
	7004276	Ref	Tools - Seal Tool 1-1/2in (For Cylinders)	
	7002828	Ref	Tools - Stripper, Wire	

PART NUMBER INDEX

PART NUMBER INDEX

0080231..... 156, 168	0275218..... 353, 427	0701014..... 53, 107, 109, 111	0761016.... 124, 138, 177, 184, 189, 196
0100009..... 279, 283	0275219..... 355, 429	0701015..... 231, 233	0761210.... 117, 124, 131, 138
0100011.... 13, 15, 17, 19, 29, 49, 53, 59, 71, 73, 75, 77, 79, 81, 84, 95, 97, 100, 103, 105, 107, 109, 111, 117, 121, 124, 131, 135, 138, 143, 151, 153, 156, 161, 165, 168, 177, 181, 184, 189, 193, 196, 221, 223, 229, 231, 233, 237, 241, 261, 263, 265, 267, 269, 271, 297, 299, 301, 303, 305, 374, 378	0275452.... 359, 361, 423	0701018..... 100	0761212.... 124, 138, 221, 223, 231, 233
0100019 19, 65, 107, 109, 111	0275453.... 357, 363, 425	0701019..... 225, 227	0761214..... 73, 75, 100
0100020 73, 75, 117, 124, 131, 138, 151, 156, 161, 168, 177, 184, 189, 196, 293	0275454..... 365, 431	0701020 73, 75, 225, 227	0761215..... 221, 223
0100035..... 317	0275678..... 361	0701021..... 374, 378	0761227..... 231, 233
0100048..... 87, 279, 283	0275679..... 357	0701024..... 374, 378	0761615..... 13, 231, 233
0100071..... 307	0275680..... 365	0701027..... 231, 233	0762016..... 231, 233
0100081.... 124, 138, 156, 168, 184, 196, 279, 283, 374, 378	0275681..... 347	0701217..... 13	0762020.... 107, 109, 111
0140011..... 279, 283	0275682..... 351	0701616..... 71, 231, 233	0771414.... 124, 138, 156, 168
0140043..... 84	0275683..... 353	0701617..... 17	0860038..... 345, 349
0181949..... 177, 189	0275684..... 355	0711214..... 124, 138	0860520.... 443, 445, 447, 449, 451, 453, 455, 457, 459
0200048.... 297, 299, 301, 303	0360406..... 55	0711220..... 15, 17	0861731.... 423, 425, 431
0257728..... 476	0361810..... 95	0711221..... 184, 196	0861781..... 419, 421
0257755..... 39	0363019..... 53, 55	0711224 ... 124, 138, 156, 168	0861880..... 399
0257756..... 39	0400075..... 95	0711227..... 229	0902733..... 53
0258011..... 43	0440162... 117, 131, 151, 161, 177, 189	0711628..... 65	0902734..... 53
0258012..... 43	0440271..... 15, 17	0711629..... 17	0902751..... 279, 283
0258303..... 345	0630462... 297, 299, 301, 303	0711631..... 65	0903484.... 347, 351, 353, 355, 357, 359, 361, 363, 365
0258304..... 343	0630534..... 327	0721005 ... 297, 299, 301, 303	0903612.... 347, 351, 353, 355, 357, 361, 365
0258305..... 349	0630535..... 317	0721006..... 143	0940048..... 231, 233
0270092..... 31	0630568..... 279, 284	0741606..... 124, 138	0940049..... 100
0270115..... 463	0630613..... 100	0760408..... 177, 189	0940071..... 100
0270116..... 467	0641404..... 279	0760606..... 185, 197	0940167..... 297, 299
0270119..... 465	0641405..... 283	0760607 ... 126, 140, 157, 169	0961845.... 261, 263, 265, 267, 269, 271
0270653..... 33	0641406... 275, 277, 295, 443, 445, 447, 449, 451, 453, 455, 457, 459	0760608..... 77, 95, 97	0961896..... 317
0272031..... 475	0641407... 347, 351, 353, 355, 357, 359, 361, 363, 365	0760610 84, 103, 105, 117, 124, 132, 138, 151, 156, 161, 168, 178, 185, 190, 196, 213, 375, 379	0961947..... 235
0272070..... 237	0641408..... 275, 277	0760612..... 95, 97	0961948 15, 17, 229, 231, 233, 317, 319, 321
0272254..... 477	0641410..... 103, 105	0760614 91, 93, 117, 131, 151, 161	0961949..... 229
0272341..... 41	0641414... 279, 283, 297, 299, 301, 303, 305, 307	0760615..... 103	0961950..... 13
0272360..... 41	0641416... 347, 351, 353, 355, 357, 359, 361, 363, 365	0760621..... 84	0961951.... 124, 138, 156, 168, 184, 196, 225, 227, 313, 323
0272361..... 41	0641418... 261, 263, 265, 267, 269, 271	0760808 ... 124, 138, 184, 196	0962185..... 327
0272448..... 475	0641504..... 53, 95, 97	0760810 ... 100, 107, 109, 111, 126, 140	0962257..... 235
0272521..... 477	0641509..... 374, 378	0760812 ... 49, 73, 75, 79, 81, 100, 107, 109, 111, 117, 124, 132, 138, 151, 161, 177, 184, 189, 196, 213, 229, 374, 378	0962270..... 273
0272588..... 475	0641605..... 59	0760814 ... 100, 124, 138, 156, 168, 177, 185, 189, 196	0962292.... 17, 225, 227, 327, 329
0272589..... 475	0641610.... 143, 275, 277	0760815.... 97, 126, 140, 156, 168, 184, 196	0962348..... 17
0273146..... 476	0641812... 121, 135, 153, 165, 181, 193, 237	0761010..... 77	1001091794..... 184, 196
0273147..... 476	0642612..... 89	0761011..... 15, 17	1001091892..... 184, 196
0273148..... 477	0642684..... 237	0761012 95, 97, 221, 223, 374, 378	1001094670..... 235
0273380..... 475	0681608..... 237	0761014 ... 100, 117, 124, 131, 138	1001095704..... 434
0274095..... 477	0681810..... 19	0761015 ... 117, 124, 131, 138, 151, 156, 161, 168, 177, 184, 189, 196, 221, 223	1001096653..... 49
0274240..... 297	0681814..... 273	0761016..... 77	1001097000..... 131, 161, 190
0274661..... 476	0681822..... 273	0761017..... 15, 17	1001097150..... 399, 401
0275055..... 476	0682014..... 19	0761018 95, 97, 221, 223, 374, 378	1001098122..... 293, 417
0275216..... 347, 419	0682040..... 55	0761019..... 100, 117, 124, 131, 138	1001100341..... 419
0275217..... 351, 421	0700408... 347, 351, 353, 355, 357, 359, 361, 363, 365	0761015 ... 117, 124, 131, 138, 151, 156, 161, 168, 177, 184, 189, 196, 221, 223	1001100342..... 421
	0700619..... 177, 189		1001100345..... 423
	0700816..... 53		1001100346..... 431
	0700820..... 225, 227		1001100347..... 425
	0700827..... 374, 378		1001100433..... 91, 93
	0700828..... 374, 378		1001101910..... 474
	0701012.... 107, 109, 111		

PART NUMBER INDEX

1001101911..... 474	1001119057..... 107, 109, 111	1001140429..... 261, 263, 265, 267, 269, 271	1001152485 359, 36; 401
1001101912..... 474	1001119176..... 77, 471	1001140535..... 125, 139	1001152489 125, 13
1001101913..... 474	1001119228..... 375, 379	1001140564..... 125, 139	1001154405 117, 13; 143
1001101914..... 474	1001119278.. 95, 97, 131, 161, 190	1001141300..... 461	1001155044 178, 190 279, 283
1001101915..... 474	1001119280. 95, 375, 379	1001141302..... 461	1001155045 279, 28; 470
1001101916..... 474	1001119627..... 336	1001141304..... 125, 139	
1001102987..... 59	1001120204..... 385, 387	1001141694..... 125, 139, 157, 168	
1001103012..... 433	1001120205..... 393, 395	1001141870..... 143	1001155823 117, 13
1001104498..... 433	1001120328..... 305, 434	1001141967..... 427, 429	1001156351 34
1001104850 65, 67	1001120466..... 476	1001141968..... 427	1001156352 34
1001106736..... 84	1001125137..... 317	1001141969..... 429	1001156541 39
1001107854..... 433	1001125387..... 117, 131	1001141970..... 429	1001156819 185, 19
1001109475..... 399	1001126351..... 407	1001141971..... 427	1001156823 177, 19
1001109482..... 399	1001126352..... 407	1001141995..... 125, 139, 157, 168, 185, 197	1001157466 7
1001110434 279, 283	1001126356..... 407	1001142501..... 117, 131, 143	1001157890 43
1001110873..... 345	1001126357..... 407	1001142504..... 476	1001157930 34
1001111424 . 95, 97, 125, 139, 156, 168	1001126362..... 407	1001142505..... 476	1001159186 41
1001112551..... 445	1001126363..... 407	1001142679..... 336	1001159256 280, 28; 470
1001112607 221, 223	1001126365..... 407	1001142683... 91, 93, 470	1001160859 23
1001112612 369, 433	1001126384..... 407	1001142694..... 89	1001160872 23
1001112796..... 369	1001126391..... 407	1001142736... 91, 93, 369	1001161709 280, 28; 470
1001112943..... 273	1001127096..... 475	1001142938..... 408	1001161710 178, 190 471
1001113961..... 433	1001129285..... 434	1001142940..... 408	1001161713 219, 32
1001115639..... 301	1001129407..... 77	1001143390 125, 139, 157, 169	1001161715 217, 219 321
1001115641 301, 303	1001129555..... 470	1001143431..... 89	1001161716 217, 219 313
1001115848 301, 303	1001130220..... 84	1001143797 125, 139	1001161717 217, 219 323
1001115931..... 197	1001131269..... 443, 451	1001143852..... 461	1001162105 2
1001116550 225, 227	1001132195..... 156, 168	1001143936..... 336	1001162106 7
1001116693..... 417	1001132196..... 156, 168	1001144116..... 125, 139	1001162107 2
1001116710..... 413	1001133714..... 408	1001144433..... 284	1001162335 117, 13; 143
1001116727..... 407	1001133715..... 408	1001144629..... 249, 251, 253, 255, 257, 259	1001162415 45
1001116728..... 407	1001133956..... 407	1001145781 255, 257, 259, 267, 269, 271	1001162416 44
1001116763..... 433	1001133957..... 407	1001146220.. 79, 81, 280, 283	1001162418 45
1001116774..... 369	1001133972..... 65, 69	1001147264..... 407	1001162420 45
1001116808..... 369	1001134488..... 125, 139	1001147274..... 31, 33	1001162422 45
1001116849..... 453	1001135196..... 117, 131, 151, 161, 177, 190	1001147812 185, 197	1001162424 45
1001116952..... 407	1001135651..... 408	1001147813 185, 197	1001162426 44
1001116983..... 413	1001136079..... 125, 156	1001148145..... 475	1001162429 445, 44
1001117064..... 397	1001136172..... 139	1001148865..... 31	1001162445 359, 36
1001117070..... 433	1001136834..... 125, 139	1001148866..... 31	1001162448 35
1001117106..... 407	1001137005..... 477	1001148869..... 33	1001162451 36
1001117107..... 407	1001137673..... 305, 471	1001148870..... 33	1001162521 44
1001117172..... 293	1001138173..... 125, 139, 156, 168, 184, 197	1001148902..... 476	1001162522 44
1001117174 279, 283, 293	1001138175..... 125, 139, 157, 168, 185, 197	1001148903..... 476	1001162523 45
1001117240 95, 97	1001138228..... 125, 139, 471	1001148904..... 476	
1001117294..... 476	1001138248..... 125, 139, 157, 169, 185, 197	1001148905..... 476	1001162524 45
1001117308 125, 139	1001138494 261, 263, 265, 267, 269, 271	1001148906..... 476	1001162525 45
1001117372..... 311	1001138514..... 261, 263, 265, 267, 269, 271	1001148971..... 476	1001162526 45
1001118274 ... 73, 75, 79, 81, 100, 177, 190, 229, 241, 374, 378	1001138827..... 125, 139	1001148972 217, 319	1001162527 44
1001118412 279, 283, 470	1001139099..... 476	1001149570 89, 367	1001162528 44
1001118482..... 225	1001139240..... 125, 139	1001149953 31, 33	1001162529 45
1001118511..... 13	1001139384..... 103, 105	1001150998..... 157, 169	1001162534 59, 6
1001118518..... 13	1001139586..... 17	1001151026..... 37	1001162535 241, 24
1001118519..... 13	1001139819..... 157, 168	1001151030..... 37	1001162536 241, 24
1001118878 125, 139	1001140312..... 140	1001151393..... 79, 81	1001162539 49, 5
1001118971 374, 378	1001140315..... 476	1001152479..... 401	1001162995 1
1001118972 ... 53, 73, 75, 374, 378	1001140318..... 476	1001152482..... 401	1001163061 7
1001119020 369, 417, 434		1001152483..... 401	1001163062 7
1001119051 107, 109, 111			1001163178 .. 15, 17, 32

PART NUMBER INDEX

1001163179..... 15, 17	1001166021 151, 153	1001168059 157, 169	1001170375.....241
1001163405..... 15, 17	1001166084 461	1001168099 126, 140	1001170446..... 280, 284
1001163580..... 13, 311	1001166085 461	1001168166 126, 140,	1001170458.....47
1001163715..... 15, 17	1001166096 231, 233	185, 197	1001170459.....47
1001163716..... 15, 17	1001166142 275	1001168210 313	1001170460.....47
1001163717 17	1001166153 45, 47	1001168472 375, 379	1001170480..... 73, 75
1001163722.....17	1001166155 45	1001168473 375, 379	1001170617..... 126, 140,
1001163724.....17	1001166156 45	1001168950 126, 140	145
1001163726.....17	1001166157 45	1001169046 100	1001170663.....213
1001163767217, 219,	1001166193 461	1001169054 126, 140,	1001170664.....213
315	1001166202 177, 181	185, 197	1001170693..... 157, 169,
1001163856.....217	1001166203 181, 184	1001169058 47	171
1001163857.....219	1001166208 321	1001169062 35	1001170719..... 178, 190
1001163937 225, 227	1001166232 53	1001169073 39	1001170759.....317
1001164016 221, 225	1001166239 19	1001169074 41	1001170838.. 79, 81, 280,
1001164017 223, 227	1001166304 117	1001169075 43	284
1001164092.....15	1001166305 151	1001169138 126, 140,	1001170859.....100
1001164093.....13	1001166307 177	185, 197	1001170860.....100
1001164095.....17	1001166315 84	1001169157 443, 445,	1001170981..... 185, 197
1001164209 15, 17	1001166316 95	447, 449, 451, 453,	1001171216.....100
1001164289.....327	1001166317 97	455, 457, 459, 461	1001171403.....407
1001164295.....327	1001166538 280, 283,	1001169183 107, 109,	1001171482..... 79, 81
1001164297.....327	287, 470	111	1001171553..... 375, 379
1001164298.....327	1001166539 280, 283,	1001169240 231, 233	1001171555..... 375, 379
1001164300.....327	289	1001169241 231, 233	1001171559..... 375, 379
1001164353.....279, 283,	1001166646 229	1001169242 231, 233	1001171678..... 95, 97
417	1001166651 229	1001169246 221, 223	1001171679..... 95, 97
1001164493.....476	1001166656 374	1001169247 221, 223	1001171680..... 95, 97
1001164523 217, 327	1001166662 375, 379	1001169249 231, 233	1001171681..... 151, 161
1001164552.....13	1001166678 378	1001169295 231, 233	1001171682..... 151, 161
1001164709.....217, 319,	1001166717 157, 169	1001169296 231, 233	1001171683..... 117, 131
321	1001166718 125, 139,	1001169297 231, 233	1001171684..... 117, 131
1001164728275, 277,	157, 169	1001169298 231, 233	1001171685..... 178, 190
279, 283, 439	1001166767 77	1001169299 231, 233	1001171686..... 178, 190
1001164730374, 381	1001166768 77	1001169300 231, 233	1001171953..... 121, 135,
1001164731374, 385	1001166852 231, 233	1001169301 231, 233	153, 165, 181, 193
1001164736 84, 437	1001166853 231, 233	1001169302 231, 233	1001171954..... 121, 135,
1001164737 84, 415	1001166921 125, 139	1001169304 229	153, 165, 181, 193
1001164738374, 378,	1001166922 125, 139	1001169305 229	1001172001.....476
397	1001166924 125, 139	1001169402 229	1001172003..... 178, 190
1001164817.....311	1001167036 121, 135,	1001169403 229	1001172045.....474
1001165035.....117, 131,	153, 165, 181, 193, 203	1001169525 209, 211	1001172057.....474
185, 197	1001167108 125, 139,	1001169823 117, 131,	1001172202..... 151, 161
1001165131 317, 319	407	151, 161, 178, 190	1001172217..... 443, 445,
1001165302.....225, 227,	1001167111 157, 169,	1001169831 476	447, 449, 451, 453,
235	405	1001169895 79	455, 457, 459
1001165388125, 139,	1001167149 100	1001169896 79, 81	1001172264.....213
157, 169	1001167153 100	1001169897 79	1001172265.....213
1001165389157, 169	1001167159 100	1001169898 73, 75	1001172271..... 375, 379
1001165405125, 139	1001167163 100	1001169967 126, 140,	1001172282..... 100, 103
1001165406125, 139	1001167164 213	185, 197	1001172736..... 117, 131
1001165622.....100	1001167169 100	1001169974 197	1001172737.....207
1001165721125, 139	1001167193 185, 197	1001170001 100	1001172751.....476
1001165722125, 139	1001167267 275, 279	1001170019 100	1001172798..... 278, 283
1001165816 79, 179	1001167382 185, 197	1001170022 100	1001172796..... 375, 379
1001165849125, 139	1001167383 185, 197	1001170025 107, 109,	1001172801.....461
1001165942.....73	1001167384 185, 197	111	1001172833..... 100, 105
1001165943.....75	1001167512 117, 131,	1001170035 126, 140,	1001173006.....336
1001165944.....107	151, 161, 178, 190	185, 197	1001173027.....336
1001165945.....109	1001167520 125, 139,	1001170094 84, 470	1001173028.....336
100116594665	157, 169	1001170098 35	1001173029.....336
100116594849, 59, 241	1001167825 107, 109,	1001170099 35	1001173030.....336
1001165949336, 338	111	1001170131 107, 109,	1001173031.....336
100116596829	1001167895 185, 197	111	1001173032.....336
1001166000121, 124	1001168018 125, 139,	1001170224 211	1001173033.....336
1001166001117, 121	157, 169	1001170225 209	1001173034.....336
1001166020153, 156	1001168026 125, 139	1001170226 229	1001173035.....336

PART NUMBER INDEX

1001173036..... 336	1001175024..... 336	1001181325..... 84	1001191315..... 47
1001173037..... 337	1001175027..... 475	1001181358..... 117, 132, 413	1001191620..... 126, 14
1001173038..... 337	1001175029..... 475	1001181405..... 87	1001191708..... 30
1001173039..... 337	1001175260..... 338	1001181430..... 185, 197	1001191832..... 100, 107, 109, 111, 117, 132, 151, 161, 178, 190
1001173040..... 337	1001175348..... 476	1001181527..... 53	1001192292..... 28
1001173041..... 337	1001175542..... 476	1001181621..... 375, 379	1001193061..... 9
1001173042..... 337	1001175631..... 340	1001181705..... 217, 317	1001193216..... 9
1001173043..... 337	1001175632..... 340	1001181895..... 140	1001193730..... 28
1001173044..... 337	1001175633..... 340	1001181913..... 53	1001194197..... 47
1001173045..... 337	1001175634..... 340	1001181923..... 375, 379	1001194198..... 47
1001173046..... 337	1001176343..... 475	1001181995..... 317	1001194200..... 47
1001173048..... 337	1001176469..... 81	1001182017..... 317	1001194203..... 47
1001173049..... 337	1001176848..... 15, 17	1001182018..... 317	1001194204..... 47
1001173050..... 337	1001176951..... 374, 389	1001182020..... 317	1001194365..... 47
1001173051..... 337	1001177167..... 178, 190	1001182021..... 317	1001194424..... 47
1001173052..... 337	1001177228..... 178, 190	1001182138..... 307	1001194425..... 47
1001173053..... 337	1001177359..... 126, 140	1001182150..... 178, 190	1001194426..... 47
1001173054..... 337	1001177541..... 81	1001182169..... 100	1001194427..... 47
1001173055..... 337	1001177543..... 81	1001182404..... 178, 190	1001194428..... 47
1001173056..... 337	1001177820..... 71	1001182405..... 177, 190	1001195444..... 277, 28
1001173057..... 337	1001177821..... 71	1001182561..... 375, 379	1001195446..... 27
1001173058..... 337	1001177834..... 71	1001182875..... 100	1001195610..... 47
1001173059..... 337	1001177896..... 229	1001182877..... 101	1001195699..... 185, 19
1001173061..... 337	1001177897..... 229	1001182879..... 101	1001195700..... 185, 19
1001173062..... 337	1001178133..... 231, 233	1001182997..... 73, 75, 126, 140	1001195714..... 18
1001173063..... 337	1001178135..... 231, 233	1001183171..... 227	1001195887..... 47
1001173066..... 337	1001178448..... 375, 379	1001183407..... 476	1001195888..... 47
1001173262..... 443, 451, 459	1001178636..... 221, 223, 229	1001184324..... 279	1001195889..... 47
1001173529..... 79, 81	1001178644..... 375, 379	1001184618..... 279, 284	1001195890..... 47
1001173631..... 337	1001178788..... 125, 139	1001184626..... 279, 284	1001195891..... 47
1001173664..... 476	1001178859..... 157, 169	1001185025..... 476	1001195892..... 47
1001173745..... 476	1001178876..... 126, 140	1001185281..... 284	1001195893..... 47
1001173810..... 476	1001178958..... 375, 379	1001185373..... 111	1001195894..... 47
1001173811..... 476	1001179228..... 374, 378	1001185747..... 375, 379	1001195895..... 47
1001173812..... 476	1001179236..... 84, 403	1001185821..... 59, 63	1001195898..... 47
1001173975..... 477	1001179266..... 375, 379	1001185964..... 434	1001195899..... 47
1001173983..... 476	1001179339..... 73, 75	1001186007..... 84, 433	1001195900..... 47
1001173984..... 476	1001179364..... 474	1001186375..... 261	1001195901..... 47
1001174098..... 100	1001179439..... 378, 391	1001186377..... 263	1001195902..... 47
1001174335..... 207	1001179517..... 49	1001186378..... 265	1001195903..... 47
1001174367..... 476	1001179737..... 378	1001186385..... 253	1001196012..... 47
1001174378..... 211	1001179738..... 374, 474	1001186386..... 251	1001196376..... 178, 19
1001174379..... 209	1001179771..... 474	1001186387..... 249	1001196458..... 91, 93, 37
1001174486..... 177, 190	1001179776..... 474	1001186388..... 273	1001196611..... 47
1001174536..... 231	1001179903..... 126, 140, 157, 169	1001186517..... 305	1001196637..... 8
1001174537..... 231	1001179904..... 100	1001186976..... 475	1001196715..... 47
1001174654..... 474	1001180004..... 221, 231	1001187508..... 305	1001197039..... 33
1001174675..... 340	1001180005..... 223, 233	1001188196..... 73	1001197221..... 4
1001174728..... 475	1001180017..... 178, 190, 411	1001188197..... 75	1001199314..... 47
1001174748..... 378, 383	1001180035..... 231, 333	1001188311..... 271	1001199864..... 47
1001174749..... 374, 393	1001180540..... 229	1001188312..... 259	1001200086..... 10
1001174750..... 378, 387	1001180620..... 126, 140, 185, 197	1001188314..... 269	1001200088..... 107, 109, 111
1001174766..... 378, 395	1001180797..... 476	1001188318..... 267	1001200126..... 47
1001174767..... 475	1001180798..... 476	1001188319..... 255	1001200129..... 47
1001174768..... 475	1001180800..... 476	1001188883..... 461, 476	1001200130..... 47
1001174777..... 135, 138	1001180872..... 221	1001188889..... 305	1001200131..... 47
1001174778..... 132, 135	1001180873..... 223	1001188972..... 131, 161, 189	1001200132..... 47
1001174779..... 131	1001180916..... 29	1001189194..... 89	1001200133..... 47
1001174780..... 193, 196	1001181045..... 399, 470	1001189882..... 449	1001200134..... 47
1001174781..... 190, 193	1001181145..... 475	1001190368..... 15, 17	1001200458..... 103, 10
1001174782..... 189	1001181324..... 219, 319	1001190633..... 231	1001202744..... 29
1001174783..... 165, 168		1001190775..... 184	1001202745..... 30
1001174784..... 161, 165		1001190913..... 445, 449	1001203510..... 47
1001174785..... 161			1001203511..... 47
1001174976..... 87			

PART NUMBER INDEX

1001203628.....317, 319	1701691..... 101	1704277 ... 443, 445, 447, 449, 451, 453, 455, 457, 459	2180504..... 177, 189
1001203654.....273	1702300... 443, 445, 447, 449, 451, 453, 455, 457, 459	1704412 ... 443, 445, 447, 449, 451, 453, 455, 457, 459	2180736.....319
1001204123.....178, 190	1702565..... 279, 283	1704455..... 467	2180832..... 117, 131
1001204510.....449	1702566..... 279, 283	1704456..... 467	2180876... 117, 131, 151, 161
1001205175.....476	1702567..... 279, 283	1704457..... 465	2180877..... 184, 196
1001205750.....95	1702740..... 39, 41	1704482..... 463	2220237.....329
1001205752.....95	1702773..... 461	1704576..... 465	2220238.....53
1001206434.....475	1702774..... 461	1704577..... 465	2220290..... 177, 189
1001206436.....65	1702860..... 461	1704578..... 463	2220315... 124, 138, 156, 168, 184, 196
1001206438.....474	1702868..... 443, 475	1704579..... 465	2220371..... 336
1001207302.....93	1702938... 297, 299, 301, 303	1704578..... 463	2220372..... 53, 336
1001207315.....93	1702941 ... 131, 161, 189	1704752..... 461	2220373..... 336
1001211336.....75	1702942 ... 131, 161, 189	1704885 ... 443, 445, 447, 449, 451, 453, 455, 457, 459	2220374..... 336
1001213067.....475	1702943 ... 131, 161, 189	1704972 ... 131, 151, 161, 461	2220375..... 336
1001213069.....475	1702944 ... 131, 161, 189	1705014..... 273	2220377..... 336
1060341... 297, 299, 301, 303	1703067..... 37	1705084..... 449	2220408..... 336
1060461..... 385, 393	1703162... 124, 138, 156, 168, 184, 196	1705325..... 347	2220415..... 336
1060625... 131, 161, 189	1703450..... 463	1705336..... 443	2220451... 156, 168, 336
1060626... 132, 161, 190	1703687 ... 443, 445, 447, 449, 451, 453, 455, 457, 459	1705344..... 455	2220465..... 336
1060903... 297, 299, 301, 303	1703797..... 443	1705345..... 457	2220466..... 336
1060908..... 399, 401	1703804..... 443	1705347..... 451	2220468..... 336
1060918.....293	1703805..... 443	1705349..... 447	2220472..... 336
1120552.....41	1703923..... 459	1705351..... 443	2220500..... 336
1320016..... 156, 168	1703924..... 451	1705358..... 475	2220501..... 336
1320022... 118, 132, 151, 162	1703925..... 453	1705363..... 41	2220577..... 336
1320043..... 375, 379	1703926..... 455	1705364..... 41	2220579..... 53
1320130..... 374, 378	1703927..... 457	1705426..... 455	2220582..... 336
1320176..... 209, 211	1703928..... 447	1705427..... 457	2220596..... 336
1320218..... 177, 189	1703935..... 459	1705429..... 451	2220603..... 336
1320220..... 177, 189	1703936..... 451	1705430..... 453	2220628..... 336
1320223 95, 97, 131, 161, 189	1703937..... 453	1705514..... 443, 451	2220726..... 336
1320323..... 177, 189	1703938..... 455	1705822..... 445, 449	2220811..... 336
1321293.....77	1703939..... 457	1705828..... 445, 449	2220883 27, 51, 311, 317, 319, 321, 327, 337
1321647.....433	1703940..... 447	1705903..... 447	2220885..... 51, 327
1321716... 117, 124, 132, 138, 151, 161, 177, 189	1703941..... 459	1705905..... 447	2220886... 27, 321, 329
1580011..... 184, 196	1703942..... 451	1705910..... 459	2220888.....27
1580012.....295	1703943..... 453	1705917..... 459	2220906..... 336
1580013.....476	1703944..... 455	1705961..... 445, 449	2220923..... 337
1670829.79, 81, 279, 283	1703945..... 457	1705968..... 453	2220940..... 336
1670836.....229	1703947..... 459	1705969..... 457	2220946..... 336
1684290.....311	1703948..... 451	1706059..... 461	2220947..... 336
1700818.....461	1703949..... 453	1706060..... 461	2220998..... 337
1701499... 443, 445, 447, 449, 451, 453, 455, 457, 459	1703950..... 455	1706061..... 461	2221033..... 336
1701500... 443, 445, 447, 449, 451, 453, 455, 457, 459	1703951..... 457	1706062..... 461	2221040..... 336
1701504... 443, 445, 447, 449, 451, 453, 455, 457, 459	1703952..... 447	1706063..... 461	2221052..... 53
1701505... 117, 131, 151, 161	1703953..... 443	1706064..... 461	2221086... 51, 245, 337
1701509... 443, 445, 447, 449, 451, 453, 455, 457, 459	1703980..... 455	1706098..... 461	2230025..... 336
1701518... 445, 449, 467	1703981..... 457	1706385..... 273	2300004..... 124, 184
1701529... 443, 445, 447, 449, 451, 453, 455, 457, 459	1703982..... 453	1706941 ... 443, 451, 459	2300016..... 19
1701542..... 177, 189	1703983..... 459	1787217..... 97	2300041..... 138, 196
1701543..... 177, 189	1703984..... 451	2060025 ... 156, 168, 185, 197	2410014..... 273
	1703985..... 447	2080040 ... 249, 251, 253, 255, 257, 259	2560136..... 279, 283
	1704000..... 451	2110810..... 336	2560187..... 103, 105
	1704001..... 459	2110812..... 336	2580024... 131, 161, 190
	1704002..... 447	2151212..... 336	2580050... 131, 161, 189
	1704007..... 459	2160001..... 65	2580062..... 168
	1704008..... 447	2180348 ... 151, 161, 177, 190	2580063..... 197
	1704260..... 279, 283	2180387..... 177, 189	2600281... 249, 251, 253, 255, 257, 259
	1704271..... 461	2180389..... 177, 189	2720015..... 124, 138
			2720058... 117, 131, 151, 161
			2720149..... 177, 189
			2720271..... 184, 196

PART NUMBER INDEX

2720340 124, 138	177, 184, 189, 196,	3520072....249, 251, 253,	4240033..... 30
2720398 156, 169	213, 225, 227, 374, 378	261, 263, 265, 273	4240099 ... 124, 138, 156,
2720447 156, 169	3291001 ... 124, 138, 184,	3520182.....307	168, 184, 196, 283,
2780267 19, 21	196	3520198....249, 251, 253,	297, 299
2780268 19, 25	3291005 95, 97, 100, 103,	261, 263, 265	4240156 374, 37
2820031 ... 374, 378, 389,	105, 107, 109, 111,	3572551.....225, 227	4360057 ... 297, 299, 307,
391	117, 124, 131, 138,	3575705....297, 299, 301,	303, 471
2820118 383	151, 156, 161, 168,	303	4360328 79, 81, 47
2860030 79, 81, 470	177, 184, 189, 196,	3600242.... 121, 135, 153,	4360387 81, 279, 283,
2900756.....51	221, 223, 225, 227,	165, 181, 193, 201	297, 299, 301, 303,
2900770 313, 327, 329	229, 231, 233, 374, 378	3740067 95, 97, 156, 168,	470, 471
2900792 315	3291007 177, 189	470	4360407 279, 283, 47
2901443 477	3291205 ... 221, 223, 231,	3740140..... 156, 168, 470	4360436 73, 7
2902065 ... 124, 138, 156,	233	3760115.....229	4360469 79, 8
169, 199	3300106 19	3760170 55	4360475 79, 81, 279, 283,
2902266 311	3300151 ... 261, 263, 265,	3790012.... 178, 190, 279,	470
2902443 405, 407	267, 269, 271	283	4360476 79, 81, 280, 283,
2902549 ... 347, 351, 353,	3300220 95, 97, 125, 139,	3790152.... 121, 135, 153,	470
355, 357, 361, 365, 399	156, 168	165, 181, 193	4400275 177, 18
2920028 ... 284, 297, 299,	3300243 237	3820001....443, 445, 447,	4400420 177, 18
301, 303	3300353 279, 283	449, 451, 453, 455,	4420051 ... 461, 463, 467,
2920029 ... 284, 297, 299,	3300408 79, 81, 279, 283	457, 459, 463, 465, 467	467
301, 303	3300430 305, 307	3820020....249, 251, 253,	4420068 ... 297, 299, 307,
2940074 ... 249, 251, 253,	3310401 124, 138	255, 257, 259	303
255, 257, 259, 470	3311001 143	3820032 95, 97	4460016 41
2940173 103, 105	3311005 89	3841143 15, 17, 117, 131,	4460042 413, 43
3020008 19	3311401 297, 299	151, 161, 177, 189,	4460043 40
3020021 199	3311405 ... 275, 277, 301,	221, 223	4460049 ... 297, 299, 307,
3020037 ... 121, 135, 153,	303, 347, 351, 353,	3841203....221, 223, 231,	303
165, 181, 193	355, 357, 359, 361,	233	4460071 293, 345, 34
3020043 317, 327	363, 365, 443, 445,	3841258..... 13, 231, 233	4460125 34
3020044 168	447, 449, 451, 453,	3841287 231, 233	4460134 34
3160348 19, 27	455, 457, 459	3841340 374, 378	4460183 41
3200406 184, 196	3311501 ... 100, 297, 299,	3900054 273	4460205 34
3250872 463	301, 303	3900295 17	4460225 367, 415, 41
3251242 445	3311601 100, 279, 284	3900351 229	4460226 ... 287, 290, 293,
3251243 ... 443, 447, 451,	3311605 ... 143, 177, 189,	3910408 124, 138	299, 303, 415, 417
459	273, 275, 277	3910610 345, 349	4460227 41
3251813 ... 443, 447, 451,	3311801 19	3910804 79, 81	4460233 34
459	3311805 237	3911012 89	4460234 87, 279, 283,
3252347 443	3312005 55	3911018 79, 81, 279, 283	297, 299
3252507 ... 349, 351, 353,	3321001 95, 97, 125, 139,	3931424 305	4460247 407, 43
355, 357, 359, 361,	156, 168	3931512 124, 138	4460259 417, 43
363, 365	3331211 184, 196	3931620.... 121, 135, 153,	4460260 417, 43
3252692 467	3331215 ... 124, 138, 156,	165, 181, 193	4460265 287, 290, 36
3252693 465	168	3960407 156, 168	4460267 73, 75, 367, 417,
3271805 273	3340860 225, 227	3960422 345, 349	433
3290405 77, 177, 189,	3380434 275, 277	3960526 19	4460268 367, 43
347, 351, 353, 355,	3420352 55	4010417 374, 378	4460313 405, 41
357, 359, 361, 363,	3420372 55	4010514 91, 93	4460315 345, 34
365, 374, 378	3422532 ... 117, 132, 151,	4010618....261, 263, 265,	4460320 73, 7
3290505 . 87, 91, 93, 177,	161, 177, 190	267, 269, 271	4460346 34
189	3422755 221, 223	4031511 374, 378	4460418 415, 41
3290601 . 84, 95, 97, 103,	3422791 225, 227	4031512 77	4460419 415, 41
105	3422792 221, 223	4031914 124, 138	4460424 415, 41
3290605 ... 49, 77, 84, 91,	3422793 221, 223	4060092 349	4460425 ... 297, 299, 307,
93, 95, 97, 117, 124,	3422806 221, 223	4060805.... 124, 138, 156,	303
131, 138, 151, 156,	3422848 17	169, 184, 196	4460428 279, 28
161, 168, 177, 189,	3423038 221, 223	4060808 374, 378	4460434 41
213, 374, 378	3423304 15, 17	4060906 79, 81	4460458 43
3290606 ... 261, 263, 265,	3470003 279, 284	4070450 55	4460464 77, 87, 293, 367,
267, 269, 271	3480227 327	4070560 55	371, 389, 391, 397,
3290607 184, 196	3520026 280	4070561 55	403, 413, 417, 433,
3290801 151, 161	3520027 280	4070897 229	437, 439
3290805 ... 49, 53, 73, 75,	3520054 ... 126, 140, 156,	4070898 229	4460465 ... 367, 369, 377,
97, 100, 107, 109, 111,	168, 279, 283	4160182 100	381, 383, 397, 403,
124, 138, 156, 168,		4240032 87	

PART NUMBER INDEX

405, 407, 408, 411, 417, 433, 434, 437, 439	4460932 407, 413	4740155 17	4891800..... 19, 121, 135, 153, 165, 181, 193, 237
4460466.... 178, 190, 369, 375, 379, 381, 383, 389, 391, 397, 405, 407, 408, 411, 417, 433, 434, 437, 439	4460933.... 369, 417, 434	4740158 13	4892000..... 19
4460467.....477	4460941 413	4740274 184, 196	4892600.....237
4460470..... 279, 283	4460942 413	4740362 275, 277	4920385..... 184, 196
4460471..... 279, 283	4460943... 84, 89, 91, 93, 433	4740491 17	4920463.....395
4460473....374, 378, 381, 383	4460944 407, 433	4751400 ... 279, 283, 295, 297, 299, 301, 303, 307, 347, 351, 353, 355, 357, 359, 361, 363, 365, 443, 445, 447, 449, 451, 453, 455, 457, 459	4923451..... 157, 168
4460496.....84	4460956..... 399	4751500 ... 297, 299, 301, 303	4923463.....387
4460497.....84	4460957..... 399	4751600 275, 277	4933218.... 297, 301, 340
4460508..... 389, 391	4460967.....433	4751800 ... 273, 297, 299, 301, 303	5240800..... 177, 189
4460509..... 381, 383, 433	4460968... 347, 351, 353, 355, 357, 359, 361, 363, 365	4760600 345, 349	5241200.... 13, 15, 17, 53, 65, 124, 138, 156, 168, 184, 196, 229
4460510.....477	4460970 417	476100095, 97, 125, 139, 156, 168	5241600..... 17, 65
4460518.....369	4461005 405	4761400 295	5250605..... 185, 197
4460536.....84	4461008 405, 407	4811400 77, 347, 351, 353, 355, 357, 359, 361, 363, 365, 374, 378	5250608..... 84
4460539.....437	4461052 405	4811600 87	525081079, 81, 126, 140, 241
4460693.....411	4461070 369, 407	4811602 91, 93	5250812..... 375, 379
4460701.....349	4461071 405, 407	4811700 ... 77, 84, 91, 93, 95, 97, 103, 105, 117, 124, 131, 138, 151, 156, 161, 168, 177, 184, 189, 196, 261, 263, 265, 267, 269, 271, 375, 379	5251009.....229
4460703.....407	4461072 405, 407	4811702 . 84, 95, 97, 126, 140, 178, 185, 190, 197, 213	525101049, 59, 178, 189, 229, 241
4460709.... 343, 347, 351, 353, 355, 357, 359, 361, 363, 365	4461073 405, 407	4811900 ... 49, 73, 75, 79, 81, 97, 100, 107, 109, 111, 117, 124, 132, 138, 151, 156, 161, 168, 177, 184, 189, 196	5251012..... 13, 29, 229
4460710.... 343, 347, 351, 353, 355, 357, 359, 361, 363, 365	4461074 405, 407	4811902 ... 178, 190, 225, 227, 229, 374, 378	5251014.... 100, 374, 378
4460742.....433	4461095 369, 405, 407	4812000 . 77, 95, 97, 100, 107, 109, 111, 117, 124, 131, 138, 151, 156, 161, 168, 177, 184, 189, 196, 221, 223, 229, 231, 233, 374, 378	5251215.... 117, 131, 151, 161, 177, 189
4460743.....433	4461109..... 411	4812002 . 73, 75, 77, 100, 178, 190	5260800..... 79, 81
4460754.....437	4461111 411	4812100 . 100, 117, 124, 131, 138, 231, 233	5261018..... 178, 189
4460761..... 417, 433	4461112 411	4812200 ... 124, 138, 156, 168	5261200.... 117, 131, 151, 161, 177, 189
4460806.....434	4461122 411	4812300 71	5271809..... 184, 196
4460836..... 433, 434	4461124 411	4846370 297, 299	5272114..... 65
4460837..... 433, 434	4461196 419	4846573 237	5281920..... 374, 378
4460865.... 374, 378, 381, 383, 433	4461198..... 419	4846689 227	7000088..... 67
4460866.... 374, 378, 389, 391, 417	4461199..... 421	4860179 39, 41, 43	7000089.....67
4460871.... 415, 417, 433, 434, 437	4461201 421	4860237 37	7000090.....243
4460872.....437	4461202 423, 427	4891600 ... 121, 135, 153, 165, 181, 193, 237	70000342.....235
4460873..... 417, 434	4461205 425, 429		70000345..... 147, 172
4460874..... 417, 433	4461244 423		70000781.....51
4460875..... 417, 437	4461245 425		70000787.....172
4460876.....415	4461246 431		70000793..... 199
4460878.....434	4461249 431		70000797.....27
4460879.....417	4520216 31		70000800.....171
4460884.... 397, 407, 433, 434	4520217 39, 41, 43		70000851.....172
4460887..... 417, 434	4520240..... 33		70000865..... 69
4460891.... 367, 369, 371, 397, 407, 413, 434, 437, 439	4520262..... 37		70000912.....171
4460894.... 405, 408, 411, 433, 439	4520608..... 45		70000913.....171
4460897.... 87, 89, 91, 93, 371, 413	4640113 37, 39, 41		70000914.....171
4460899.... 397, 403, 433, 437, 439	4640261 53		70000915.....171
4460905.... 415, 417, 433, 434, 437	4640509 315		70000916.....171
4460928.....369	4640751 124, 138		70000917.....171
4460930.... 178, 190, 405, 408	4640771 327, 329		70000918.....171
4460931.....433	4640858 311		70000919.....172
	4640952 184, 196		
	4641122 31, 33, 45, 47		
	4641155 49		
	4641390.... 317, 319, 321		
	4710400 124, 138		
	4711000 89, 143		
	4711400 ... 103, 105, 261, 263, 265, 267, 269, 271, 305, 307, 347, 351, 353, 355, 357, 359, 361, 363, 365		
	4711500 . 53, 95, 97, 100, 124, 138, 279, 284, 374, 378		
	4711600 143		
	4711800 273		
	4712600 89		
	4740086 15, 17		

PART NUMBER INDEX

70001871..... 172	70004059..... 172	70004772..... 289	70005069..... 6
70001872..... 172	70004060..... 172	70004773..... 289	70005071..... 6
7000206..... 21, 25	70004062..... 172	70004774..... 289	70005076..... 6
70002063..... 51	70004102..... 172	70004775..... 289	70005080..... 6
70002206..... 67	70004103..... 172	70004864..... 243	70005082..... 6
70002207..... 67	70004249..... 69	70004865..... 243	70005084..... 6
70002209..... 51	70004250..... 69	70004866..... 243	70005085..... 6
70002234..... 172	70004251..... 69	70004867..... 243, 245	70005087..... 6
70002257..... 204	70004252..... 69	70004868..... 243	70005088..... 6
7000229..... 21, 25	70004253..... 69	70004869..... 243, 245	70005089..... 6
7000230..... 21, 25	70004254..... 69	70004870..... 243	70005090..... 6
7000232..... 21, 25	70004255..... 69	70004871... 243, 245, 470	70005092..... 6
70002335..... 315	70004256..... 69	70004873..... 245	70005094..... 6
70002371..... 315	70004257..... 69	70004874..... 245	70005095..... 6
70002373..... 315	70004258..... 69	70004875..... 243	70005096..... 6
70002386..... 51, 61, 217, 319, 321, 470	70004259..... 69	70004876..... 73	70005097..... 6
70002401..... 217, 319	70004260..... 69	70004877..... 75	70005098..... 6
70002413..... 313	70004261..... 69	70004883..... 51	70005099..... 6
7000246..... 21, 25	70004262..... 69	70004884..... 51	70005100..... 6
7000248..... 21, 25	70004263..... 69	70004885..... 51	70005102..... 22
7000253..... 21, 25	70004267..... 63	70004886..... 51	70005103..... 22
7000257..... 21, 25	70004268..... 171	70004887..... 51	70005139..... 6
7000258..... 21, 25	70004269..... 171	70004888..... 51	70005143..... 31
7000261..... 21, 25	70004270..... 172	70004889..... 203	70005150..... 32
7000262..... 21, 25	70004275..... 145	70004890..... 203	70005151..... 32
7000263..... 21, 25	70004280..... 145	70004891..... 203	70005152..... 32
70002649..... 69	70004281..... 145	70004892..... 203	70005153..... 32
70002651..... 69	70004282..... 146	70004893..... 203	70005154..... 32
70002718..... 145, 171	70004283..... 146	70004894..... 203	70005155..... 31
70002838..... 73, 75, 470	70004284..... 146	70004895..... 203	70005156..... 31
70002842..... 311	70004504..... 147	70004896..... 203	70005157..... 31
70002895..... 197, 470	70004513..... 145	70004897..... 203, 470	70005158..... 31
70002902..... 293	70004577..... 51	70004898..... 203	70005159..... 31
70002903..... 293	70004738..... 287	70004899..... 204	70005160..... 31
70002904..... 293	70004739..... 287	70004900..... 204	70005171..... 14
70002905..... 293	70004740..... 287	70004901..... 204	70005172..... 14
70002962..... 51	70004741..... 287	70004902..... 204	70005173..... 14
70003463..... 171, 470	70004742..... 287	70004903..... 204	70005174..... 14
70003464..... 171	70004743..... 287	70004904..... 204	70005176..... 14
70003468..... 172	70004744..... 287	70004905..... 204	70005177..... 14
70003469..... 172	70004745..... 287	70004906..... 204	70005180..... 14
70003472..... 171	70004746..... 287	70004907..... 204	70005181..... 14
70003473..... 171	70004747..... 287	70004908..... 204	70005182..... 14
70003475..... 171	70004748..... 287	70004909..... 204	70005183..... 14
70003479..... 171	70004749..... 287	70004910..... 204	70005184..... 14
70003480..... 171	70004750..... 287	70004911..... 204	70005185..... 14
70003481..... 171	70004751..... 287	70004955..... 329	70005186..... 14
70003612..... 63	70004752..... 289	70004956..... 329	70005188..... 14
70003614..... 73, 75, 470	70004753..... 289	70004957..... 329	70005189..... 14
70003783... 125, 139, 157, 169, 470	70004754..... 289	70004961..... 319	70005191..... 14
70003788... 61, 217, 319, 470	70004755..... 289	70004962..... 319	70005217..... 6
70003837..... 313, 323	70004756..... 289	70004963..... 319	70005218..... 6
70003838..... 313, 323	70004757..... 289	70004964..... 321	70005219..... 6
70003931..... 172	70004758..... 289	70004965..... 321	70005230..... 28
70003932..... 172	70004759..... 289	70004966..... 321	70005243..... 28
70003975..... 51	70004760..... 289	70005010..... 313	70005446..... 14
70003977..... 61	70004761..... 289	70005011..... 313	70005483..... 2
70004000..... 63	70004762..... 289	70005012..... 313, 323	70005577..... 32
70004013..... 63	70004763..... 289	70005013..... 313, 323	70005578..... 32
70004014..... 63	70004764..... 289	70005014..... 313, 323	70005667..... 374, 37
70004017..... 51	70004765..... 289	70005016..... 313, 323	70010383..... 59, 47
70004020... 185, 197, 470	70004766..... 289	70005017..... 323	7001481..... 20
70004056..... 172	70004767..... 289	70005018..... 323	7001998..... 21, 2
70004058..... 172	70004768..... 289	70005065..... 63	70023370..... 31
	70004769..... 289	70005066..... 63	70023592..... 125, 13
	70004770..... 289	70005067..... 63	70023593..... 125, 13
	70004771..... 289	70005068..... 63	70023606..... 5

PART NUMBER INDEX

70024262.....	313	70025192.....	147	7010103.....	201	7021639.....	51
70024473.....	146	70025195.....	145	7010104.....	201	7022300.....	203
70024502.....	145	70025198.....	145	7010105.....	201	7022302.....	27
70024503.....	147	70025200.....	146	7010429.....	21, 25	7022305.....	27
70024504.....	145, 147	70025201.....	146	7010543.....	51	7022310.....	27
70024507.....	147	70025209.....	147	7012925.....	317, 319	7022311.....	27
70024512.....	147	70025210.....	146, 470	7012967.....	51, 217, 321	7022312.....	27
70024513.....	145	70025211.....	147	7012974.....	51	7022314.....	27
70024904.....	145	70025213.....	147	7012987.....	201	7022326.....	27
70024905.....	145	70025214.....	147	7012988.....	201	7022328.....	27
70024906.....	145	70025215.....	146	7012998.....	319, 321	7022341.....	203
70024910.....	146	70025216.....	146	7016331 ...	145, 171, 470	7022346.....	204
70024912.....	146	70025217.....	147	7016654.....	477	7022347.....	204
70024913.....	146	70025218.....	147	7017067.....	21, 25	7022368.....	27
70024914.....	146	70025219.....	147	7017070.....	21, 25	7022371.....	27
70024915.....	146	70025220.....	147	7017080.....	21, 25	7022372.....	27
70024917.....	147	70025221.....	146, 147	7017142.....	235	7022390.....	61
70024918.....	147	70025222.....	147	7017159.....	235	7022397.....	51
70024920.....	145, 147	70025223.....	147	7017162.....	235	7022399.....	51, 61
70024925.....	145	70025224.....	147	7017163.....	235	7023318.....	67
70024961.....	145	70025225.....	147	7017164.....	235	7023900.....	61
70025076.....	145	70025226.....	146	7017172.....	235	7023907.....	27
70025082.....	145, 171	70025228.....	146	7017192.....	235	7023908.....	27
70025084... ..	146, 171, 172	70025231.....	146	7017195.....	235	7023910.....	27
70025086.....	172	70025233.....	146	7017410.....	51	7023936.....	61
70025088.....	145, 171	70025235.....	145	7017467 ...	217, 319, 321	7024182.....	21, 22
70025091.....	145, 171	70025236.....	147	7017496 ...	51, 217, 317, 319, 321	7024189.....	22
70025101.....	145	70025237.....	147	7020023.....	171, 470	7024190.....	22
70025109.....	146	70025238.....	147	7020026.....	171	7024191.....	22
70025111.....	146	70025239.....	145	7020175.....	79, 81, 279, 283	7024192.....	22
70025113.....	147	70025240.....	145	7020176.....	79, 81, 279, 283	7024193.....	22
70025115.....	146	70025241.....	147	7020176.....	79, 81, 279, 283	7024194.....	22
70025120.....	147	70025242.....	147	7020403.....	171	7024196.....	22
70025121.....	172	70025619.....	313	7020404.....	145	7024197.....	22
70025123.....	171, 172	70025667.....	171	7020430.....	171	7024379.....	67
70025131.....	146, 172	70025693.....	172	7020460.....	171	7024380.....	67
70025133.....	146	70025694.....	172	7020465.....	145, 171	7024381.....	67
70025135.....	145	70025779.....	146	7020468.....	171	7024389.....	67
70025139.....	171	70025781.....	146	7020471.....	172	7024390.....	67
70025140.....	145	70025877.....	147	7020479.....	172	7024441.....	73, 75
70025142.....	146	70025959.....	323	7020492 ...	146, 171, 172	7024453.....	67
70025144.....	145	7002821.....	477	7021237.....	203	7024565.....	172
70025145.....	145	7002822.....	477	7021238.....	203	7024579.....	145, 171
70025146.....	145	7002823.....	477	7021239.....	203	7024705.....	21
70025148.....	146	7002828.....	477	7021240.....	203	7024712.....	21, 25
70025149.....	146	7004035.....	67	7021241.....	203	7024713.....	21, 25
70025150.....	146	7004036.....	67	7021242.....	203	7024714.....	21, 25
70025151.....	145	7004043.....	67	7021243.....	203	7024715.....	21, 25
70025153.....	145, 470	7004044.....	67	7021248.....	203	7024716.....	21, 25
70025154.....	145	7004045.....	67	7021249.....	27, 203	7024717.....	21
70025159.....	146	7004047.....	67	7021253.....	203	7024718.....	22
70025160.....	145	7004049.....	67	7021257.....	203	7024800.....	203
70025161.....	145, 470	7004275.....	477	7021258.....	203	7024854.....	27
70025164.....	146	7004276.....	477	7021259.....	203	7024855.....	203
70025166.....	147	7007415.....	203, 204	7021263.....	203	7024858.....	203
70025171.....	145	7007419.....	203	7021265.....	203	7024868.....	27
70025176.....	145	7007420.....	203, 204	7021268.....	203	7024881.....	51
70025177.....	146	7007437.....	27	7021275.....	27	7024884.....	321
70025179.....	146	7007438.....	27	7021276.....	27, 204	7024885.....	51, 470
70025180.....	146	7007439.....	27	7021277.....	27, 204	7026042.....	69
70025182.....	145	7007446.....	27	7021278.....	204	7026043.....	69
70025183.....	145	7007489.....	201	7021281.....	203	7026044.....	69
70025184.....	145	7007493.....	204	7021290.....	204	7026045.....	69
70025185.....	145	7007495.....	203	7021293.....	203	7026046.....	69
70025189.....	147	7007601.....	21, 25	7021299.....	204	7026047.....	69
70025191.....	146	7007640.....	21, 25	7021625.....	51	7026048.....	69

PART NUMBER INDEX

7026049..... 69	7027792 172	8310548.... 125, 139, 156, 168, 184, 196	8406201 126, 14
7026050..... 69	7027796 172	8310614.....77	8410009 184, 19
7026051..... 69	7027903 172	8310668.....229	8410013 ... 117, 131, 157, 161, 196
7026052..... 69	7027965 185, 197, 470	8310686.....100	8430007 117, 13
7026053..... 69	7027972 197, 470	8405006.... 117, 131, 143	8760477 33
7026057..... 69	8008750 97	8405007 125, 139	8765204 33
7026330..... 63	80484084 407	8405009.... 125, 139, 184, 196	8770289 33
7027059 21, 25	80633030 336	8405103 184, 196	8786514 4
7027236 171	80983191 407, 470	8405104 125, 139	88521205 375, 37
7027350..... 69	8220045 433	8405201 184, 196	88662523 10
7027351..... 69	8220115 407	8405202 125, 139	8881800 77, 374, 37
7027352..... 69	8220164 407	8405203 184, 196	91164057 6
7027353..... 69	8229242 ... 407, 434, 470	8405204 125, 139	91164059 6
7027354..... 69	8229244 434, 470	8406109.... 125, 139, 157, 169, 184, 196	91164079 6
7027356..... 69	8305401 ... 124, 138, 156, 168, 184, 196	8406110.... 126, 140, 185, 197	91554014 39
7027625..... 243	8307109 ... 125, 139, 156, 168, 184, 196		
7027628 243, 470	8310070 375, 379		
7027790 172			
7027791 172			